



US00D857136S

(12) **United States Design Patent**  
**Rice et al.**

(10) **Patent No.:** **US D857,136 S**

(45) **Date of Patent:** **\*\* Aug. 20, 2019**

- (54) **GOLF CLUB FACE**
- (71) Applicant: **Callaway Golf Company**, Carlsbad, CA (US)
- (72) Inventors: **Bradley C. Rice**, Carlsbad, CA (US);  
**Esteban Aguilar**, Carlsbad, CA (US);  
**Irina Ivanova**, San Marcos, CA (US)
- (73) Assignee: **Callaway Golf Company**, Carlsbad, CA (US)
- (\*\*) Term: **15 Years**
- (21) Appl. No.: **29/639,785**
- (22) Filed: **Mar. 8, 2018**
- (51) **LOC (12) Cl.** ..... **21-02**
- (52) **U.S. Cl.**  
USPC ..... **D21/759**
- (58) **Field of Classification Search**  
USPC ..... D21/747-751, 759  
CPC ..... A63B 53/00; A63B 53/02; A63B 53/04;  
A63B 53/047; A63B 53/0475; A63B  
2053/0479; A63B 2053/0483; A63B  
2053/0445; A63B 60/00; A63B 60/46  
See application file for complete search history.

- (56) **References Cited**  
U.S. PATENT DOCUMENTS
- 7,594,863 B2 \* 9/2009 Ban ..... A63B 53/047  
473/331
- D606,605 S \* 12/2009 Wada ..... D21/759
- D607,070 S \* 12/2009 Wada ..... D21/759
- D607,071 S \* 12/2009 Wada ..... D21/759
- D612,438 S \* 3/2010 Carlyle ..... D21/759
- D612,439 S \* 3/2010 Carlyle ..... D21/759
- D617,406 S \* 6/2010 Carlyle ..... D21/759
- D633,967 S \* 3/2011 Carlyle ..... D21/759
- D634,804 S \* 3/2011 Beaulieu ..... D21/759

- 7,976,404 B2 \* 7/2011 Golden ..... A63B 53/047  
473/330
- D643,490 S \* 8/2011 Wada ..... D21/759
- 8,012,036 B2 \* 9/2011 Nakamura ..... A63B 53/00  
473/290
- 8,506,420 B2 \* 8/2013 Hocknell ..... A63B 53/047  
473/331
- 8,684,861 B2 \* 4/2014 Carlyle ..... A63B 53/047  
473/331
- D707,316 S \* 6/2014 Aguayo ..... D21/759
- D707,317 S \* 6/2014 Aguayo ..... D21/759
- 8,758,162 B2 \* 6/2014 Ban ..... A63B 53/04  
473/331
- 8,834,291 B2 \* 9/2014 Ban ..... A63B 53/04  
473/331
- D716,387 S \* 10/2014 Aguayo ..... D21/759
- D716,388 S \* 10/2014 Aguayo ..... D21/759
- 8,858,361 B2 \* 10/2014 Ripp ..... B21D 22/00  
473/331
- 8,979,670 B2 \* 3/2015 Aguayo ..... B23K 26/0006  
473/331

(Continued)

*Primary Examiner* — Mitchell I. Siegel  
(74) *Attorney, Agent, or Firm* — Rebecca Hanovice;  
Michael Catania; Sonia Lari

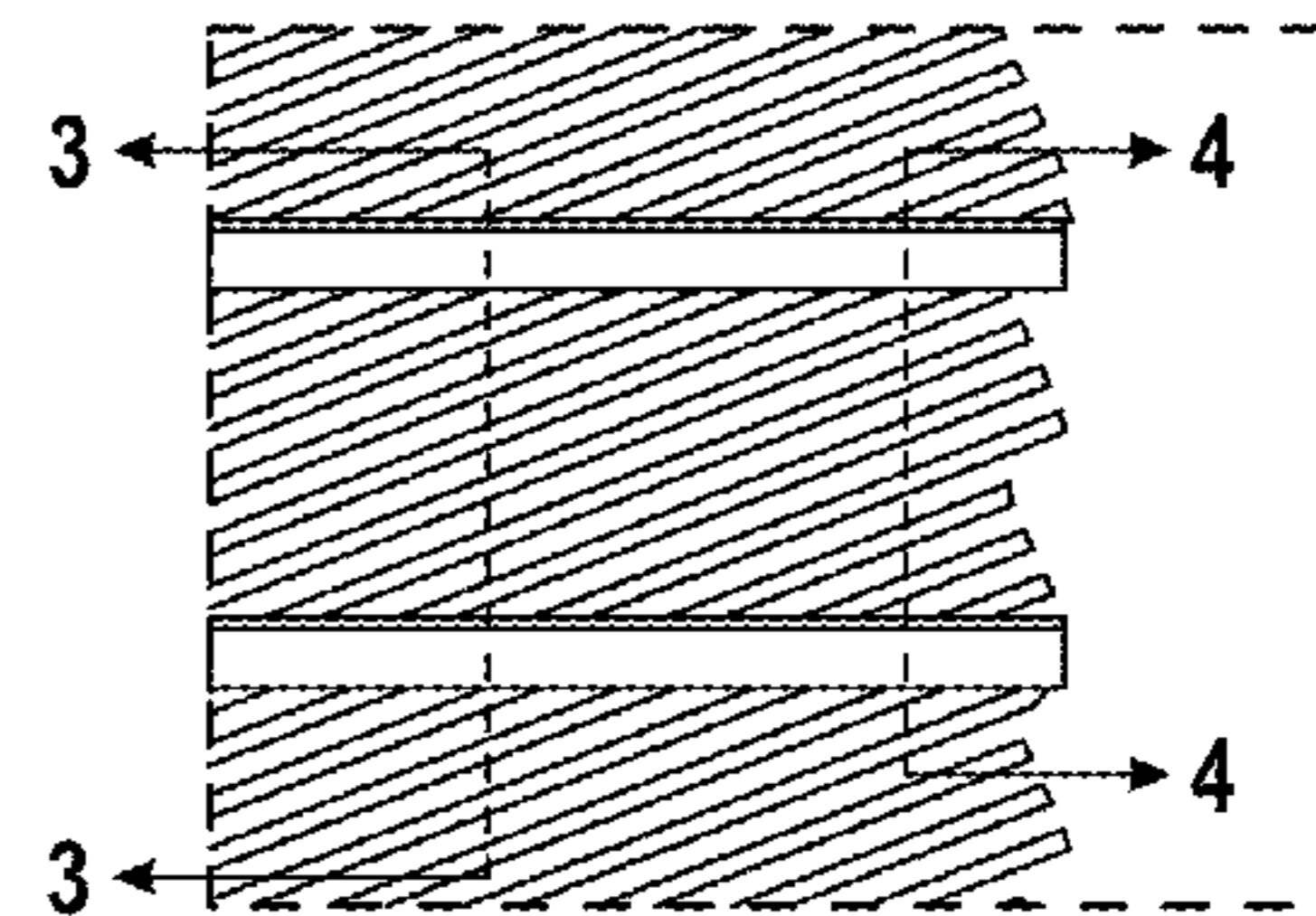
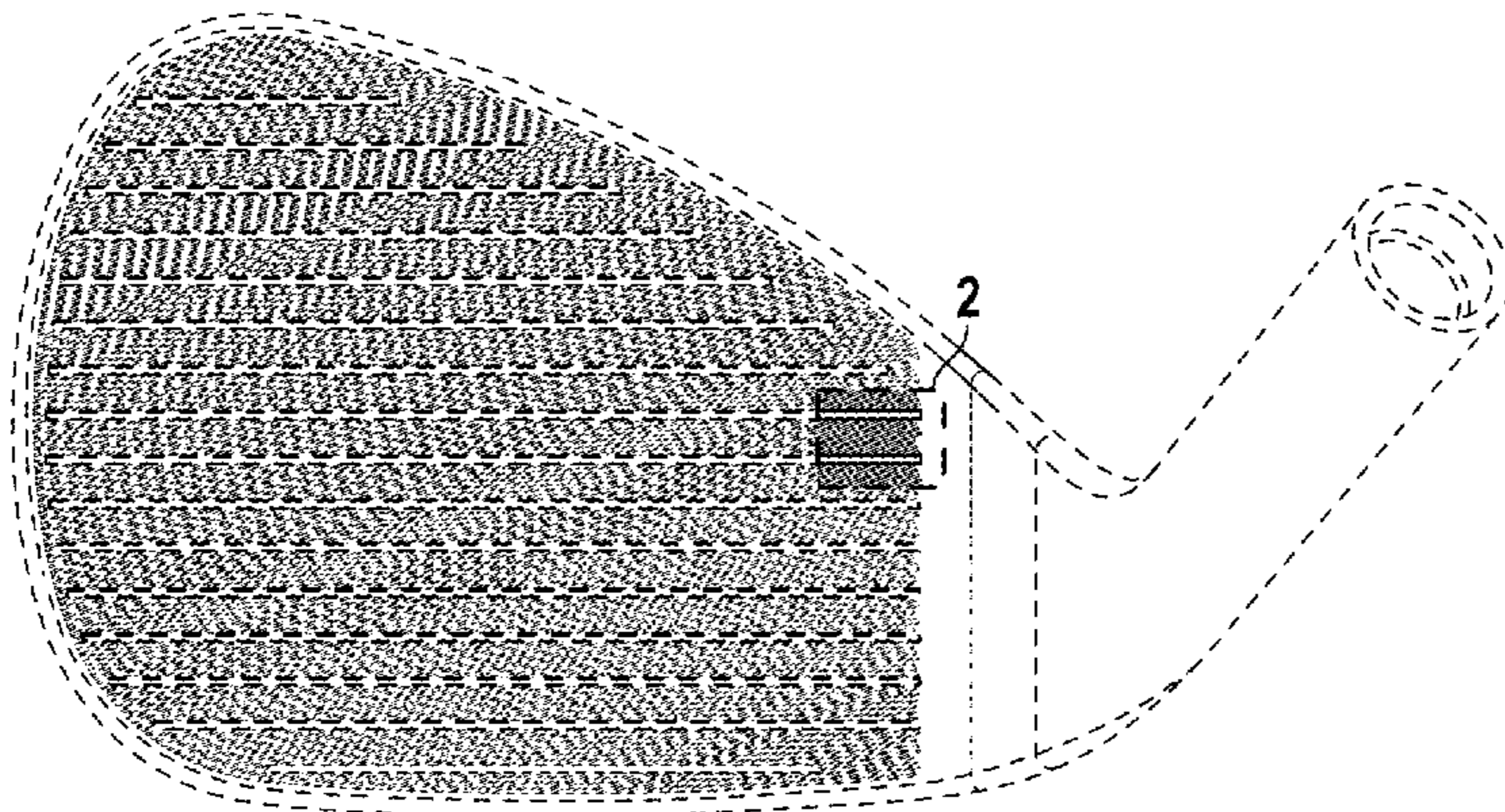
(57) **CLAIM**

The ornamental design for a golf club face, as shown and described.

**DESCRIPTION**

FIG. 1 is an elevational view of the golf club face;  
FIG. 2 is an enlarged detailed view taken on box 2 of FIG. 1;  
FIG. 3 is a cross-sectional view taken on line 3-3 of FIG. 2;  
and,  
FIG. 4 is a cross-sectional view taken on line 4-4 of FIG. 2.  
The broken line showing is included for the purpose of illustrating unclaimed subject matter and forms no part of the claimed design.

**1 Claim, 2 Drawing Sheets**



(56)

**References Cited**

U.S. PATENT DOCUMENTS

9,005,046	B2 *	4/2015	Thomas	.....	A63B 53/0466 473/231
9,028,340	B2 *	5/2015	Ban	.....	A63B 53/047 473/331
D756,475	S *	5/2016	Ripp	.....	D21/759
D760,854	S *	7/2016	Ripp	.....	D21/759
D764,000	S *	8/2016	Gonczi	.....	D21/759
D786,379	S *	5/2017	Ivanova	.....	D21/759
9,636,757	B1 *	5/2017	Rice	.....	B23C 3/30
9,844,709	B2 *	12/2017	Tassistro	.....	A63B 53/047
D808,482	S *	1/2018	Ripp	.....	D21/759
D820,368	S *	6/2018	Ripp	.....	D21/759
D820,369	S *	6/2018	Ripp	.....	D21/759
D820,931	S *	6/2018	Ripp	.....	D21/759
D845,417	S *	4/2019	Ripp	.....	A63B 53/04 D21/759
10,258,841	B2 *	4/2019	Aguayo	.....	A63B 53/047
2008/0020859	A1 *	1/2008	Yamagishi	.....	A63B 53/047 473/324
2009/0247318	A1 *	10/2009	Ban	.....	A63B 53/047 473/331

\* cited by examiner

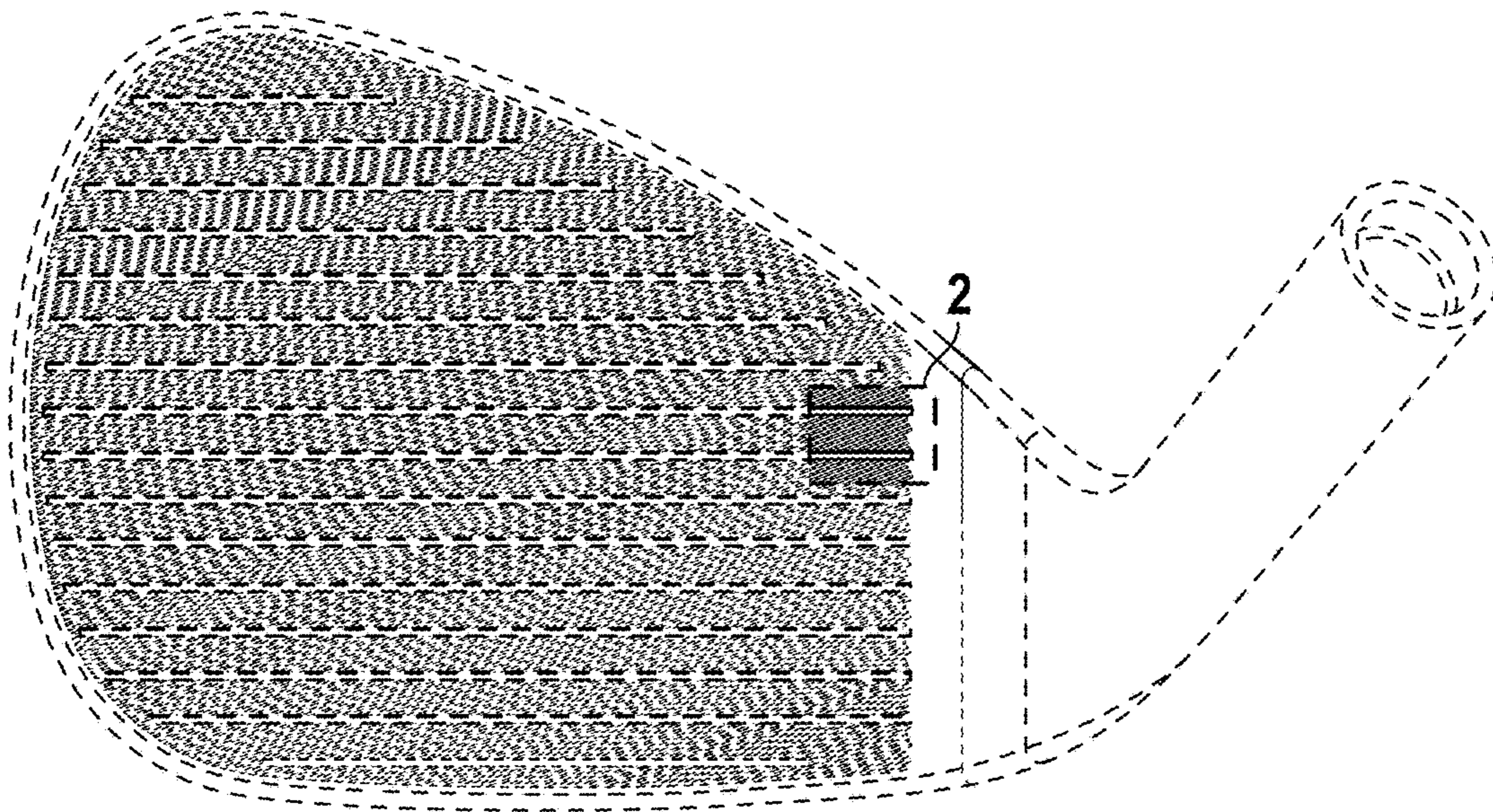


FIG. 1

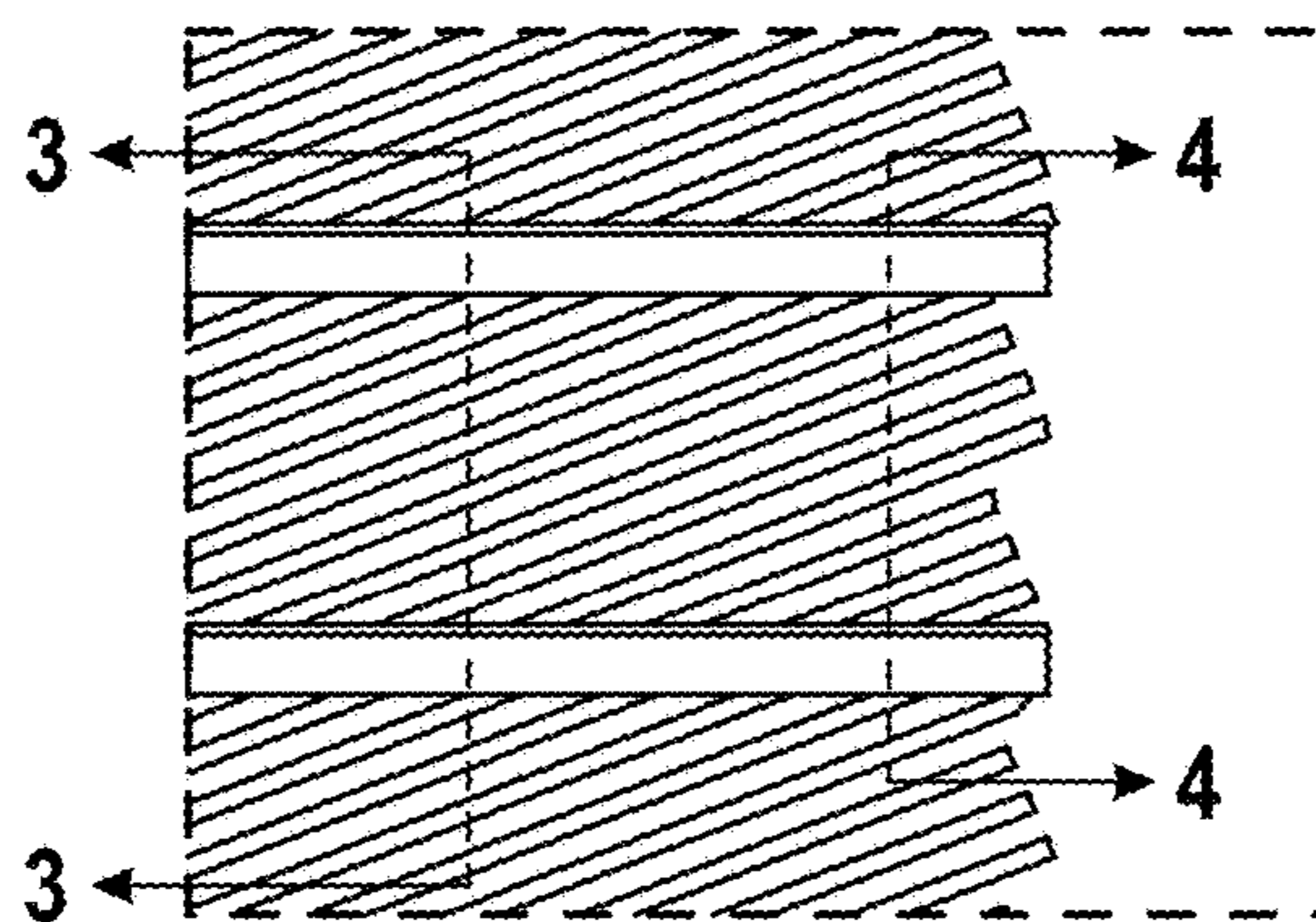


FIG. 2



FIG. 3



FIG. 4