



US00D857135S

(12) **United States Design Patent** (10) **Patent No.:** **US D857,135 S**
Serrano (45) **Date of Patent:** **** Aug. 20, 2019**

(54) **GOLF CLUB HEAD**
(71) Applicant: **KARSTEN MANUFACTURING CORPORATION**, Phoenix, AZ (US)
(72) Inventor: **Anthony D. Serrano**, Anthem, AZ (US)
(73) Assignee: **Karsten Manufacturing Corporation**, Phoenix, AZ (US)
(**) Term: **15 Years**
(21) Appl. No.: **29/640,315**
(22) Filed: **Mar. 13, 2018**
(51) **LOC (12) Cl.** **21-02**
(52) **U.S. Cl.**
USPC **D21/736**
(58) **Field of Classification Search**
USPC D21/736-746
CPC A63B 53/00; A63B 53/04; A63B 53/007;
A63B 53/065; A63B 53/0487; A63B
60/00; A63B 60/46
See application file for complete search history.

(56) **References Cited**
U.S. PATENT DOCUMENTS
D207,227 S 3/1967 Solheim
D239,951 S * 5/1976 Carrier D21/742
D316,129 S 4/1991 Bryson
5,275,412 A 1/1994 Innes
5,685,784 A 11/1997 Butler
D389,207 S * 1/1998 Cameron D21/742
D420,079 S 2/2000 Frazetta
D426,599 S * 6/2000 Morgan D21/736
D443,906 S * 6/2001 Hettinger D21/743
6,379,259 B1 4/2002 Opie
D485,320 S * 1/2004 Breier D21/736
D488,526 S 4/2004 Souza
D498,276 S * 11/2004 Schweigert D21/743

D500,109 S 12/2004 Solheim
D500,110 S 12/2004 Solheim
6,837,801 B1 1/2005 Souza
6,878,071 B1 4/2005 Schweiger
6,893,355 B2 5/2005 Souza
6,902,496 B2 6/2005 Solheim
D507,612 S 7/2005 Souza
6,926,615 B1 8/2005 Souza
6,960,140 B2 11/2005 Solheim
6,966,845 B2 11/2005 Solheim
D520,584 S 5/2006 Karlson
D521,580 S 5/2006 Burrows
D521,582 S 5/2006 Souza
7,052,411 B2 5/2006 Solheim
D522,598 S 6/2006 Solheim
7,077,758 B2 7/2006 Rohrer
7,086,957 B2 8/2006 Solheim
D527,777 S 9/2006 Solheim
D529,108 S 9/2006 Stites

(Continued)

Primary Examiner — Mitchell I. Siegel

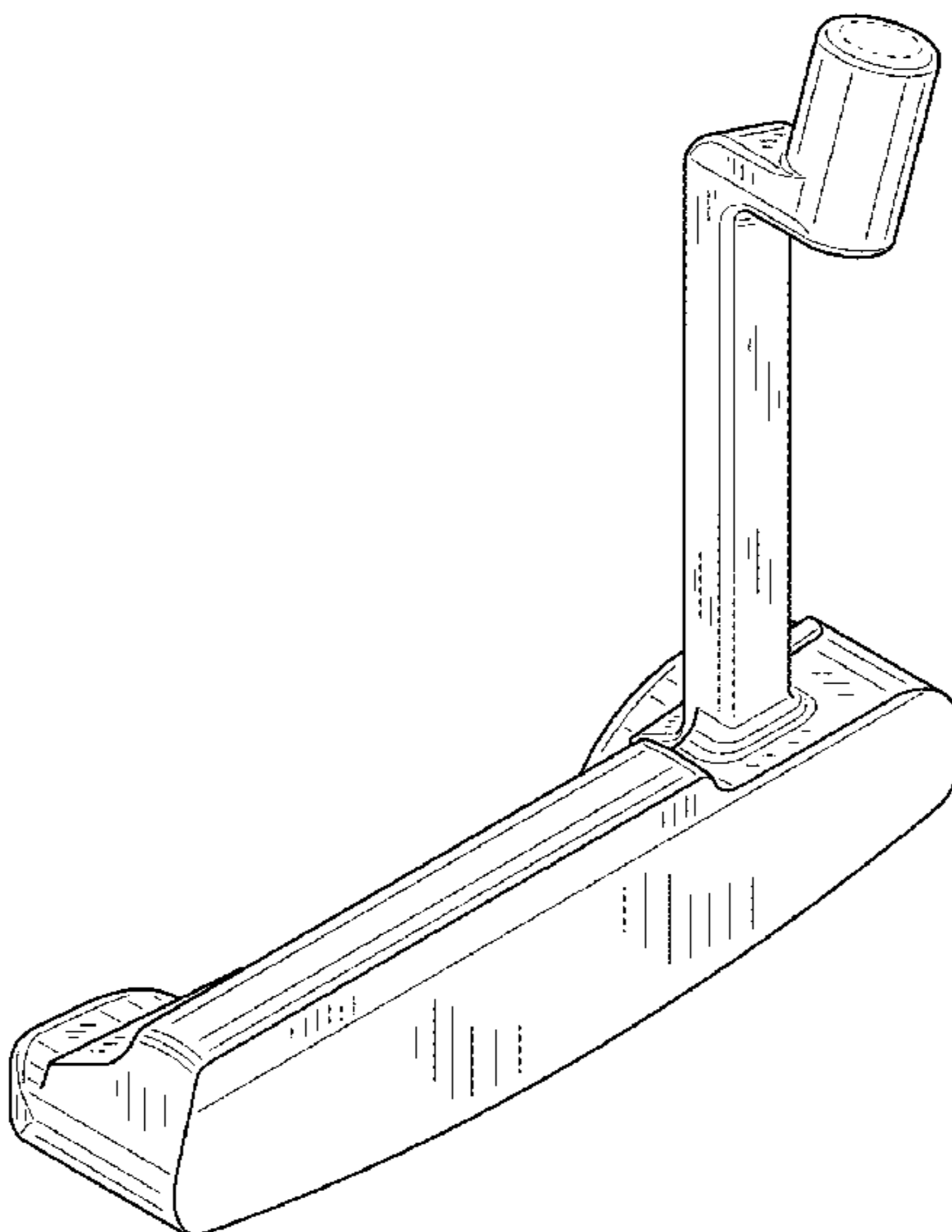
(57) **CLAIM**

The ornamental design for a golf club head, as shown and described.

DESCRIPTION

FIG. 1 is a top perspective view of a golf club head;
FIG. 2 is a bottom perspective view of the golf club head of FIG. 1;
FIG. 3 is a top view of the golf club head of FIG. 1;
FIG. 4 is a bottom view of the golf club head of FIG. 1;
FIG. 5 is a front view of the golf club head of FIG. 1;
FIG. 6 is a rear view of the golf club head of FIG. 1;
FIG. 7 is a heel side view of the golf club head of FIG. 1;
and,
FIG. 8 is a toe side view of the golf club head of FIG. 1.
The broken line showing of is included for the purpose of illustrating unclaimed subject matter and forms no part of the claimed design.

1 Claim, 5 Drawing Sheets



(56)

References Cited

U.S. PATENT DOCUMENTS

D532,847 S 11/2006 Rollinson
 D533,243 S 12/2006 Fife
 D535,712 S 1/2007 Toroussian
 7,235,021 B2 6/2007 Solheim
 D548,294 S * 8/2007 Nguyen D21/736
 D548,295 S 8/2007 Jertson
 7,255,650 B2 8/2007 Bryant
 D552,196 S * 10/2007 Hueber D21/742
 D552,197 S 10/2007 Wells
 D562,921 S * 2/2008 Nguyen D21/742
 D565,137 S 3/2008 Oldknow
 D569,462 S 5/2008 Rollinson
 7,371,185 B1 5/2008 Rohrer
 D574,909 S * 8/2008 Jones D21/743
 D581,473 S 11/2008 Thomas
 D583,003 S 12/2008 Solheim
 D583,887 S * 12/2008 Cameron D21/743
 D587,325 S 2/2009 Solheim
 D590,462 S * 4/2009 Hettinger D21/743
 D595,372 S 6/2009 Rollinson
 D599,423 S * 9/2009 Serrano D21/736
 D600,760 S 9/2009 Serrano
 D600,761 S 9/2009 Serrano
 D600,762 S 9/2009 Serrano
 7,601,076 B2 10/2009 Rollinson
 D607,950 S 1/2010 Souza
 D621,458 S 8/2010 Serrano
 D621,460 S 8/2010 Serrano
 D621,461 S 8/2010 Serrano
 D621,462 S 8/2010 Serrano
 D621,891 S 8/2010 Serrano
 7,803,066 B2 9/2010 Solheim
 7,815,515 B1 10/2010 Hunt

7,927,226 B1 * 4/2011 Twitty A63B 53/0487
 473/251
 D638,891 S 5/2011 Nicolette
 D638,892 S * 5/2011 Hettinger D21/743
 D640,341 S 6/2011 Foster et al.
 7,959,520 B2 6/2011 Campadore et al.
 D643,080 S 8/2011 Serrano
 D643,485 S 8/2011 Nicolette
 D643,486 S 8/2011 Serrano
 D643,487 S 8/2011 Serrano
 D643,893 S * 8/2011 Rollinson D21/742
 D648,407 S * 11/2011 Teramoto D21/743
 D650,456 S * 12/2011 Tang D21/743
 8,100,779 B2 1/2012 Solheim
 D653,718 S 2/2012 Stokke
 8,109,838 B2 3/2012 Solheim
 8,128,505 B2 3/2012 Tryner et al.
 D664,617 S 7/2012 Serrano
 D691,225 S * 10/2013 Hilton D21/736
 D702,782 S 4/2014 Wempe
 9,033,812 B2 * 5/2015 Solheim A63B 53/007
 473/238
 D733,817 S * 7/2015 Jorgensen D21/736
 D769,383 S * 10/2016 Abbott D21/743
 D796,597 S * 9/2017 Serrano D21/736
 D817,424 S * 5/2018 Toulon D21/759
 D817,425 S * 5/2018 Toulon D21/759
 D818,551 S * 5/2018 Toulon D21/759
 D832,379 S * 10/2018 Jertson D21/736
 2006/0094533 A1 5/2006 Warren
 2006/0166755 A1 7/2006 Brown
 2007/0191135 A1 8/2007 Nilsson
 2008/0096686 A1 4/2008 Bilkhu
 2010/0222155 A1 * 9/2010 Jones A63B 53/0487
 473/338
 2010/0227704 A1 9/2010 Souza
 2012/0115628 A1 5/2012 Woods

* cited by examiner

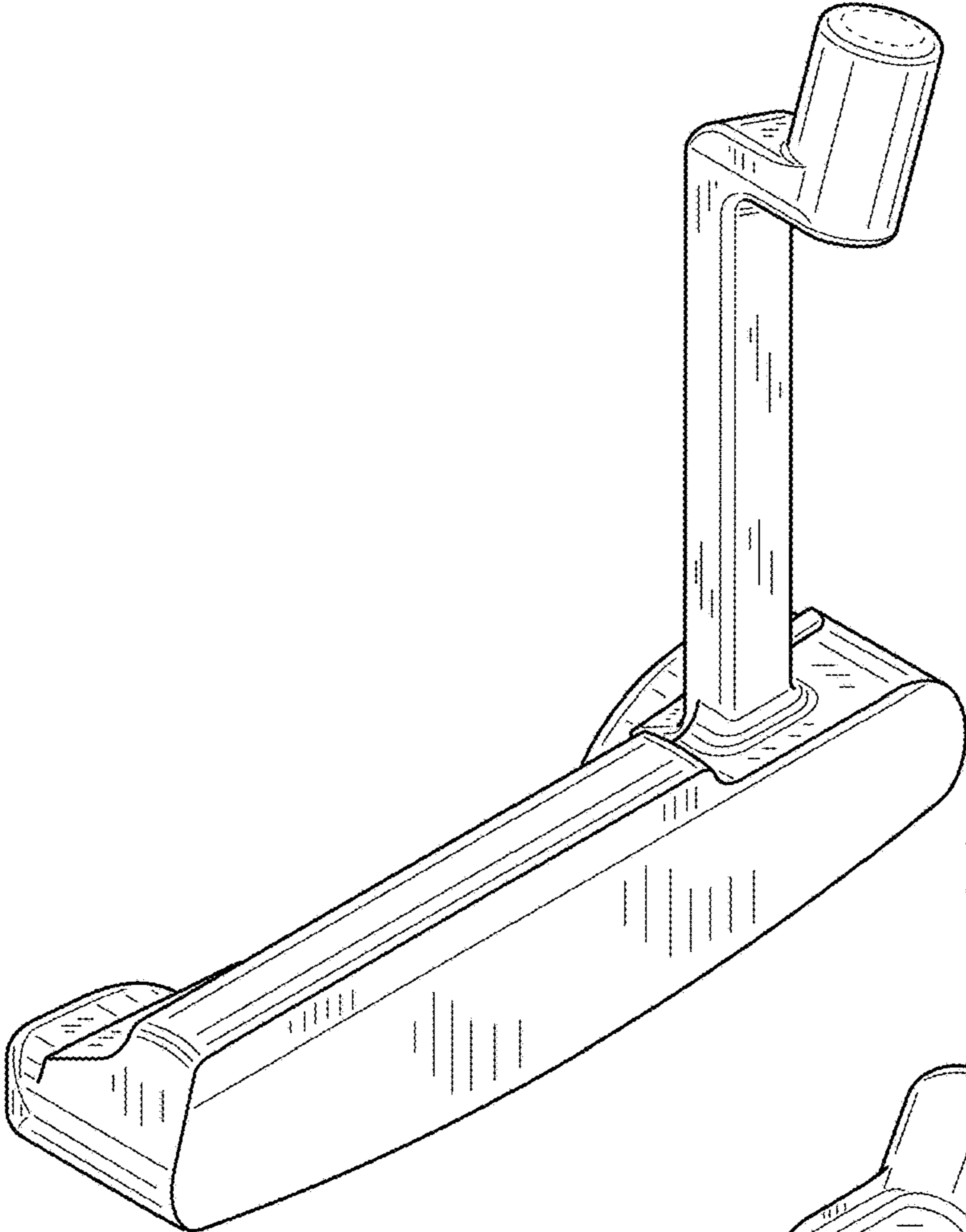


FIG. 1

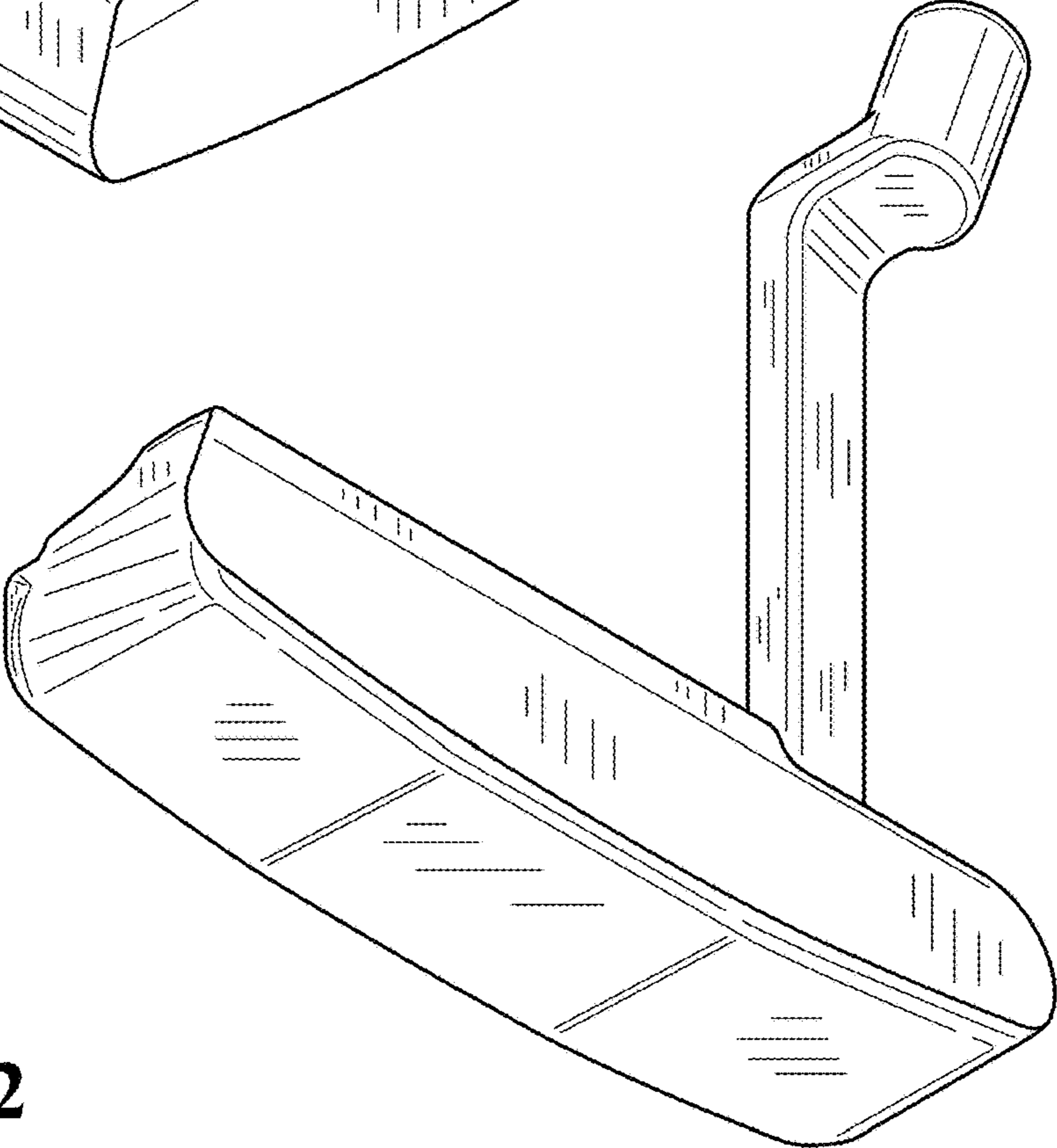


FIG. 2

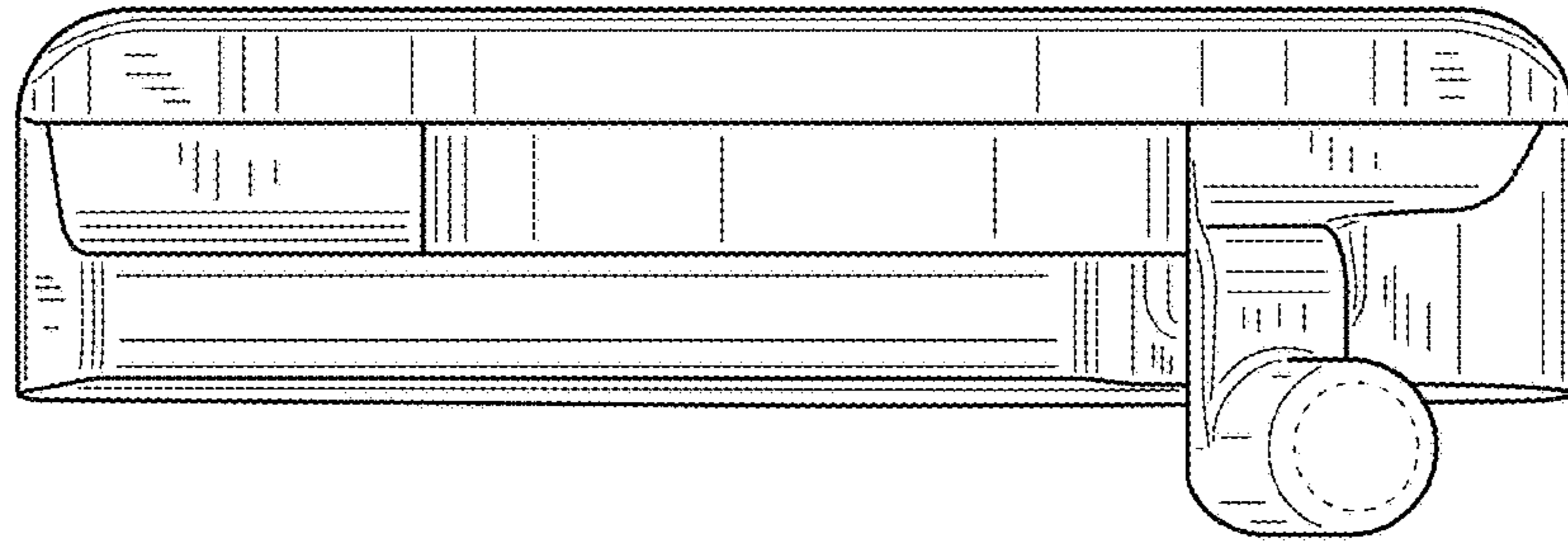


FIG.3

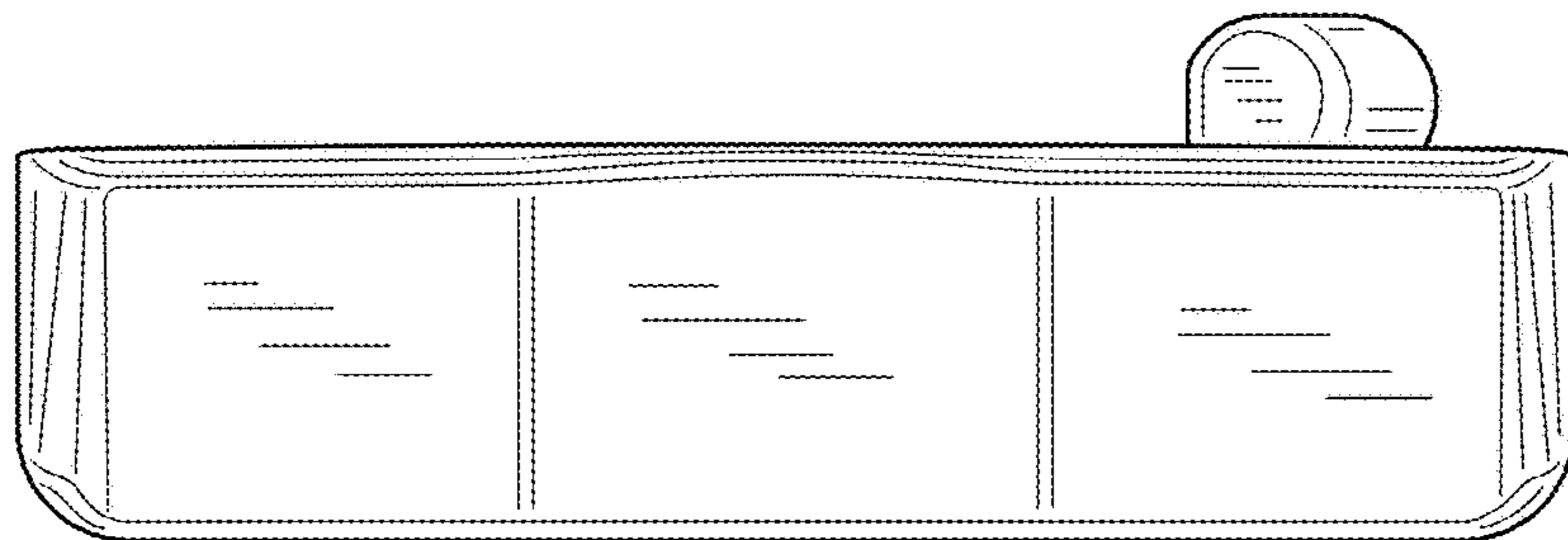


FIG.4

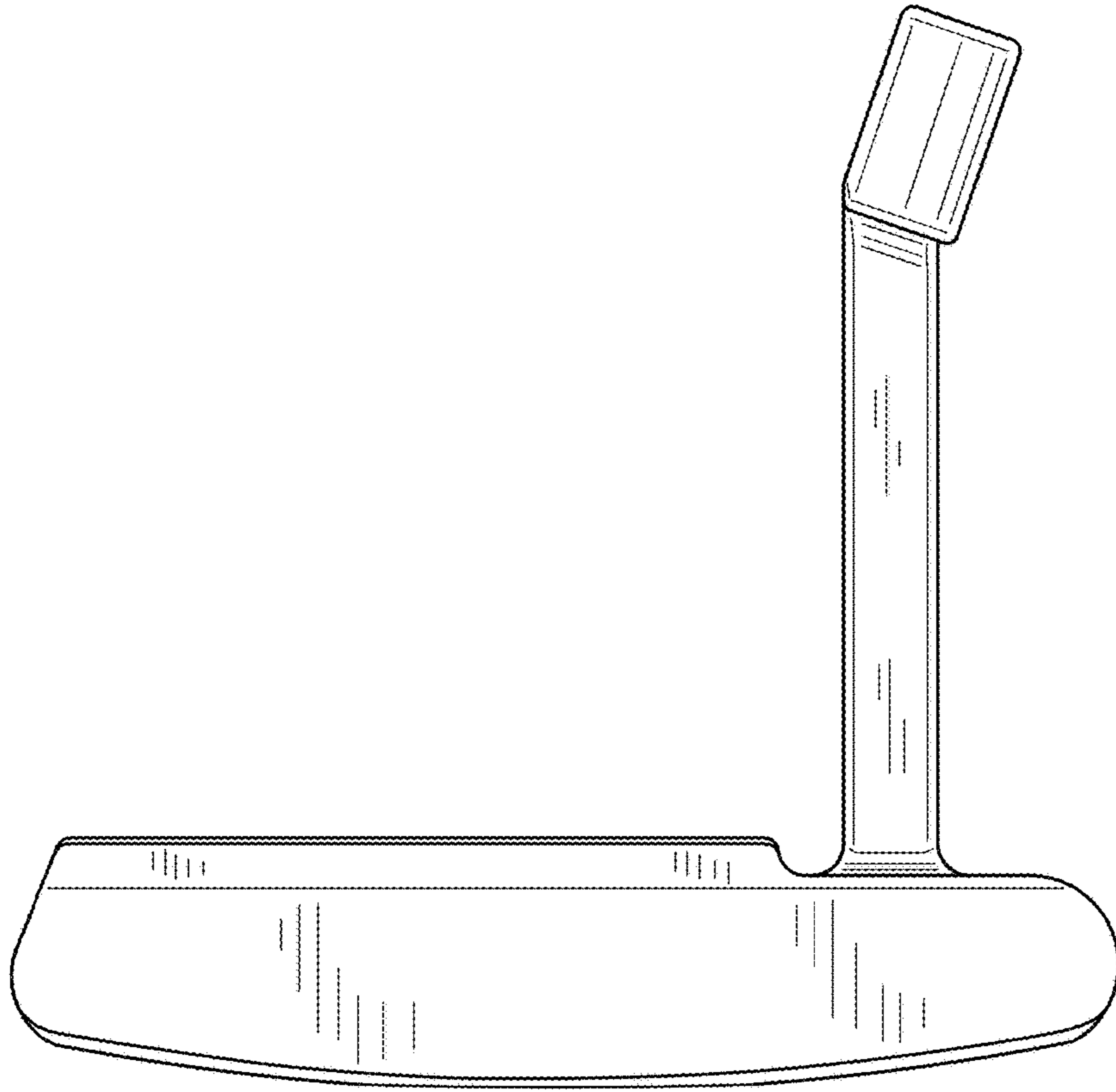


FIG.5

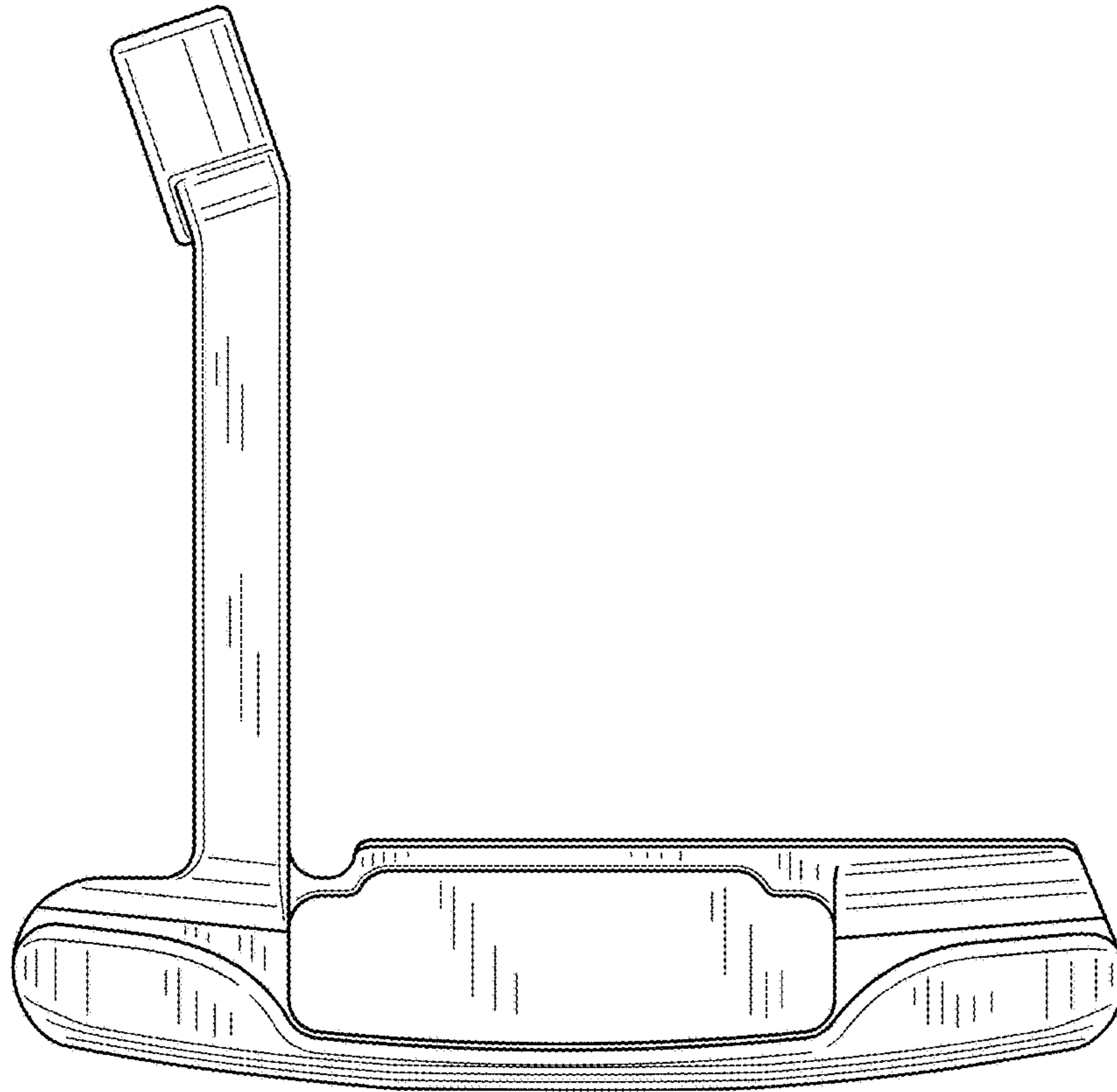


FIG. 6

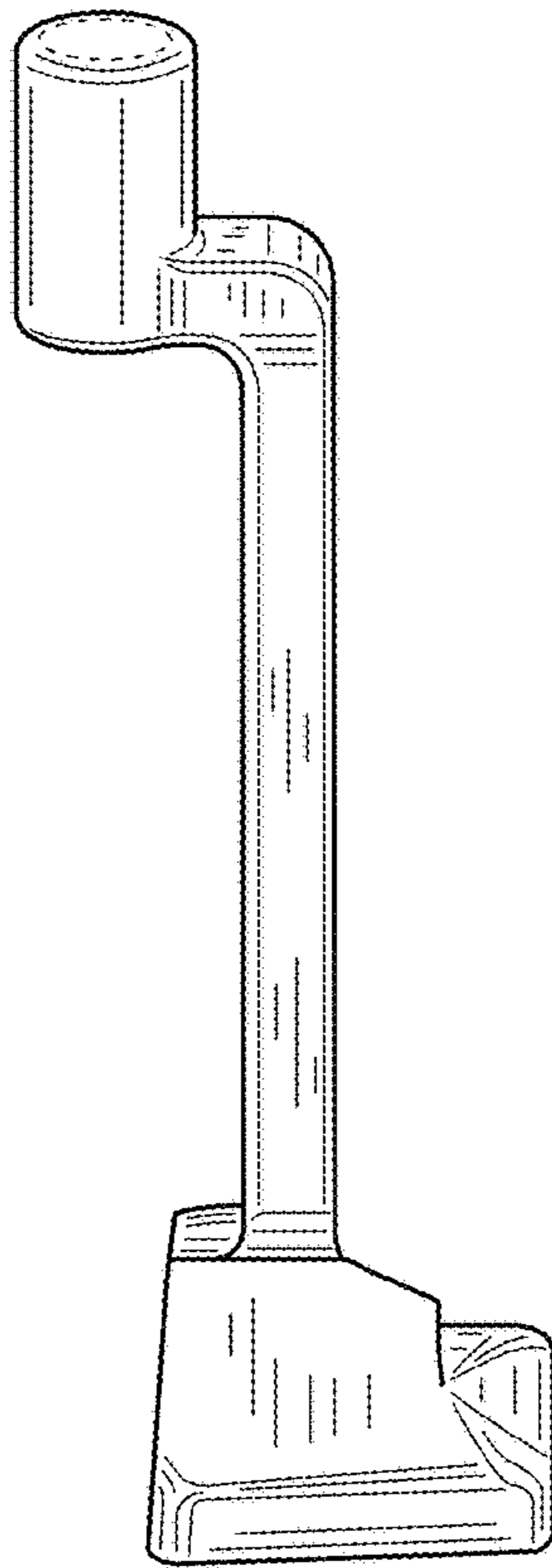


FIG.7

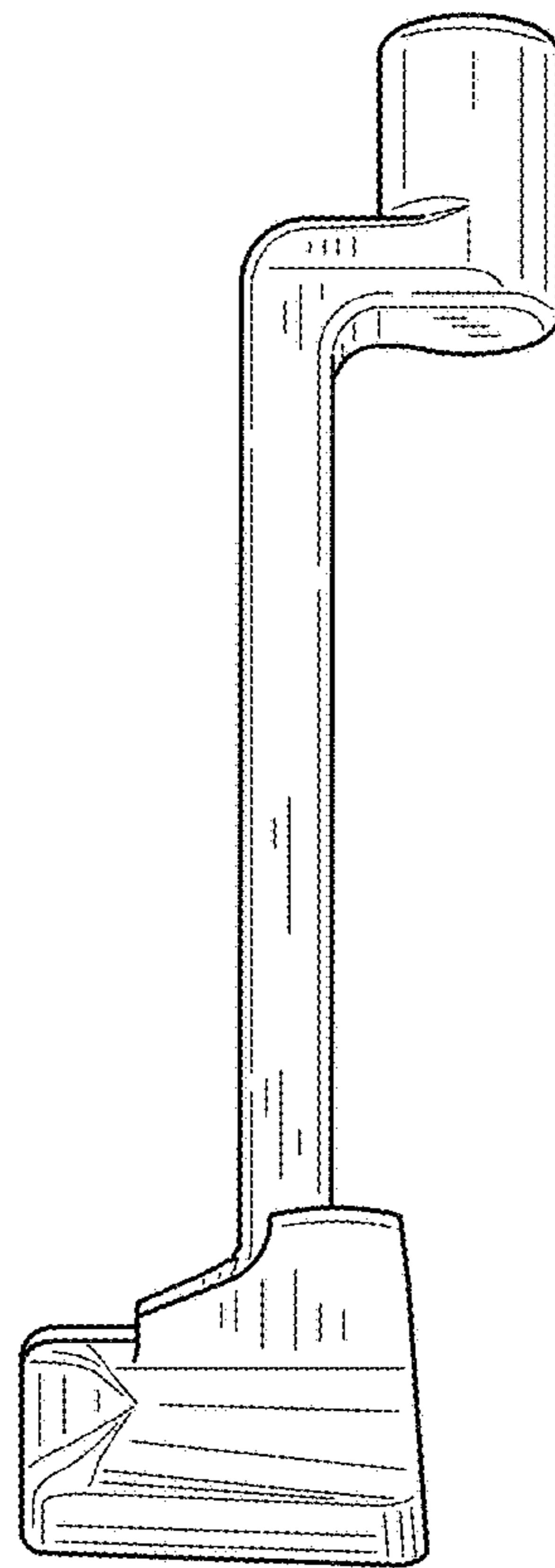


FIG.8