



US00D857132S

(12) **United States Design Patent**
Dube

(10) **Patent No.:** **US D857,132 S**

(45) **Date of Patent:** **** Aug. 20, 2019**

(54) **EXERCISE GRIP HANDLE**

(71) Applicant: **Alexis Dube**, St-Charles Boromme
(CA)

(72) Inventor: **Alexis Dube**, St-Charles Boromme
(CA)

(**) Term: **15 Years**

(21) Appl. No.: **29/638,353**

(22) Filed: **Feb. 27, 2018**

(51) **LOC (12) Cl.** **21-02**

(52) **U.S. Cl.**
USPC **D21/694**

(58) **Field of Classification Search**

USPC D21/671, 787, 798, 826, 694, 692, 691,
D21/690, 688, 687, 686, 684, 679, 673,
D21/662, 683; D8/107, 300, 303, 307,
D8/310; D12/111, 114, 317; D7/682
CPC A63B 21/065; A63B 21/4021; A63B
21/4001; A63B 21/4035; A63B 21/0557;
A63B 21/0442

See application file for complete search history.

(56) **References Cited**

U.S. PATENT DOCUMENTS

3,611,807 A 10/1971 Brandell
D246,758 S * 12/1977 Ukai D8/303
D332,563 S * 1/1993 Lurkis D8/303
D346,543 S * 5/1994 Berti D8/107
D346,945 S * 5/1994 Robinson D8/107
D357,952 S * 5/1995 Chen D21/684
D375,233 S * 11/1996 Hirsch A47J 31/44
D7/682
D406,019 S * 2/1999 La Gro D24/220
6,022,299 A 2/2000 Stewart
D423,888 S * 5/2000 Kaposi D7/682
D431,992 S * 10/2000 Foley, Jr. D8/107
D484,929 S 1/2004 Mollet

D493,338 S * 7/2004 Scott D7/682
D543,085 S * 5/2007 Aglassinger D8/107
D550,058 S * 9/2007 Aglassinger D8/107
D550,533 S * 9/2007 Aglassinger D8/107
D553,938 S * 10/2007 Shih D8/107
D556,535 S * 12/2007 Aglassinger D8/107
D558,283 S 12/2007 Mollet
7,410,451 B2 8/2008 Williams
D594,291 S * 6/2009 Martin D7/682
D615,605 S 5/2010 Frasco
D634,376 S * 3/2011 Saffaie D21/684
8,105,217 B2 1/2012 Alessandri
D653,521 S * 2/2012 Wike D8/310
D721,773 S * 1/2015 Marooth D21/694
D739,484 S * 9/2015 Kaye D21/694
D740,098 S * 10/2015 Kuo D8/303
D752,298 S * 3/2016 Stephens D24/200
9,370,685 B2 * 6/2016 Watry A63B 69/0093
D777,850 S * 1/2017 Kaye D21/692
D778,378 S * 2/2017 Schultz D21/694
D784,095 S * 4/2017 Traub D7/682
D807,147 S * 1/2018 Renault D8/303

(Continued)

FOREIGN PATENT DOCUMENTS

CA 2567869 5/2007

Primary Examiner — Ian Simmons

Assistant Examiner — Keith Frank

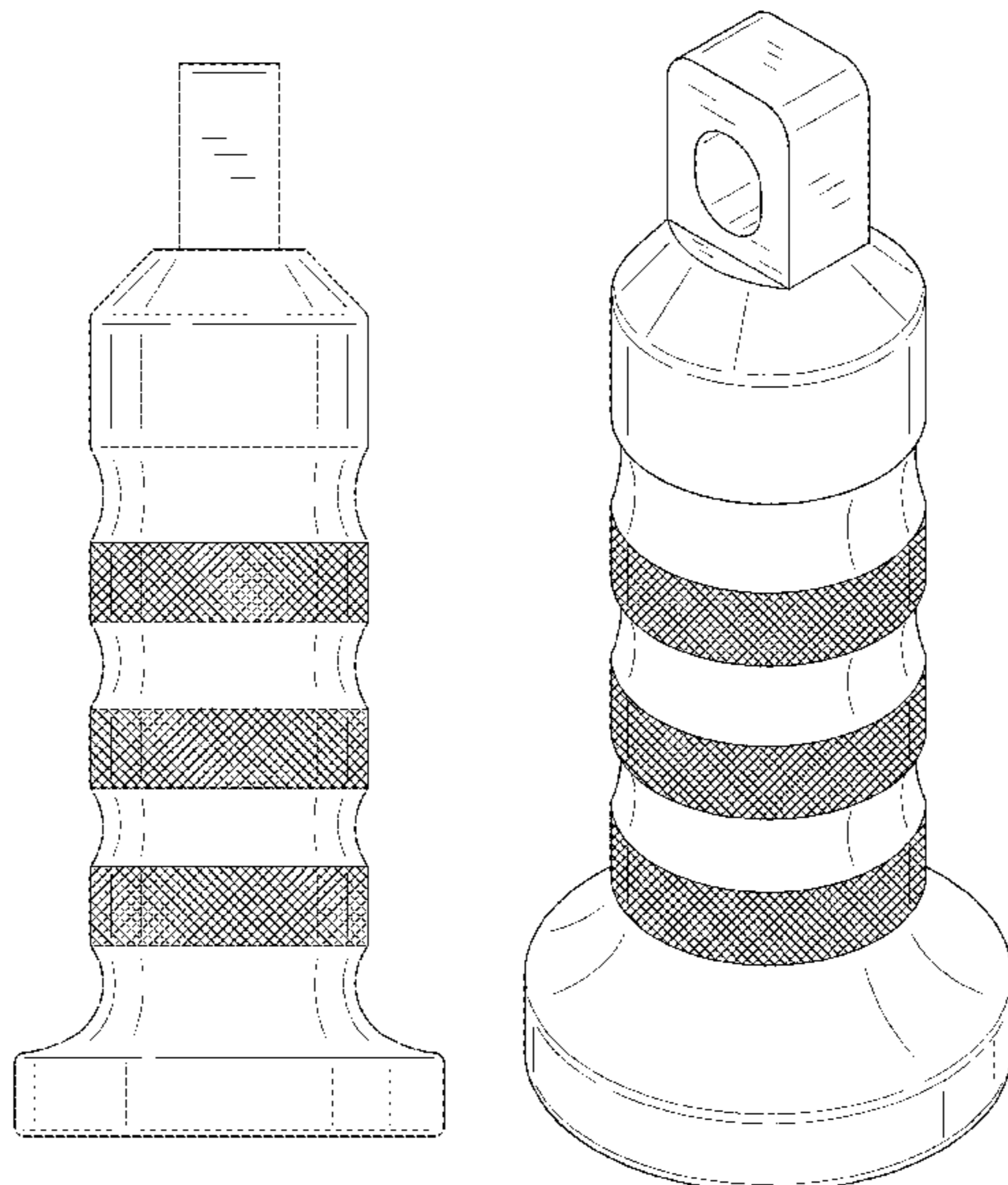
(57) **CLAIM**

I claim the ornamental design for an exercise grip handle, as shown and described.

DESCRIPTION

FIG. 1 is a front elevation view of an exercise grip handle showing my new design;
FIG. 2 is a rear elevation view thereof;
FIG. 3 is a top plan view thereof;
FIG. 4 is a bottom plan view thereof; and,
FIG. 5 is a perspective view thereof.

1 Claim, 4 Drawing Sheets



(56)

References Cited

U.S. PATENT DOCUMENTS

D810,521 S *	2/2018	Kunlun	D7/682
D820,063 S *	6/2018	Hetrick	D8/303
D827,148 S *	8/2018	Lam	D24/220
D833,194 S *	11/2018	Ladjavardi	D7/300.2
D840,207 S *	2/2019	Sun	D8/107
D842,947 S *	3/2019	Kuka	D21/694
2007/0298940 A1 *	12/2007	Anderson	A63B 21/0728 482/107
2015/0133276 A1 *	5/2015	Kaye	A63B 21/0557 482/129

* cited by examiner

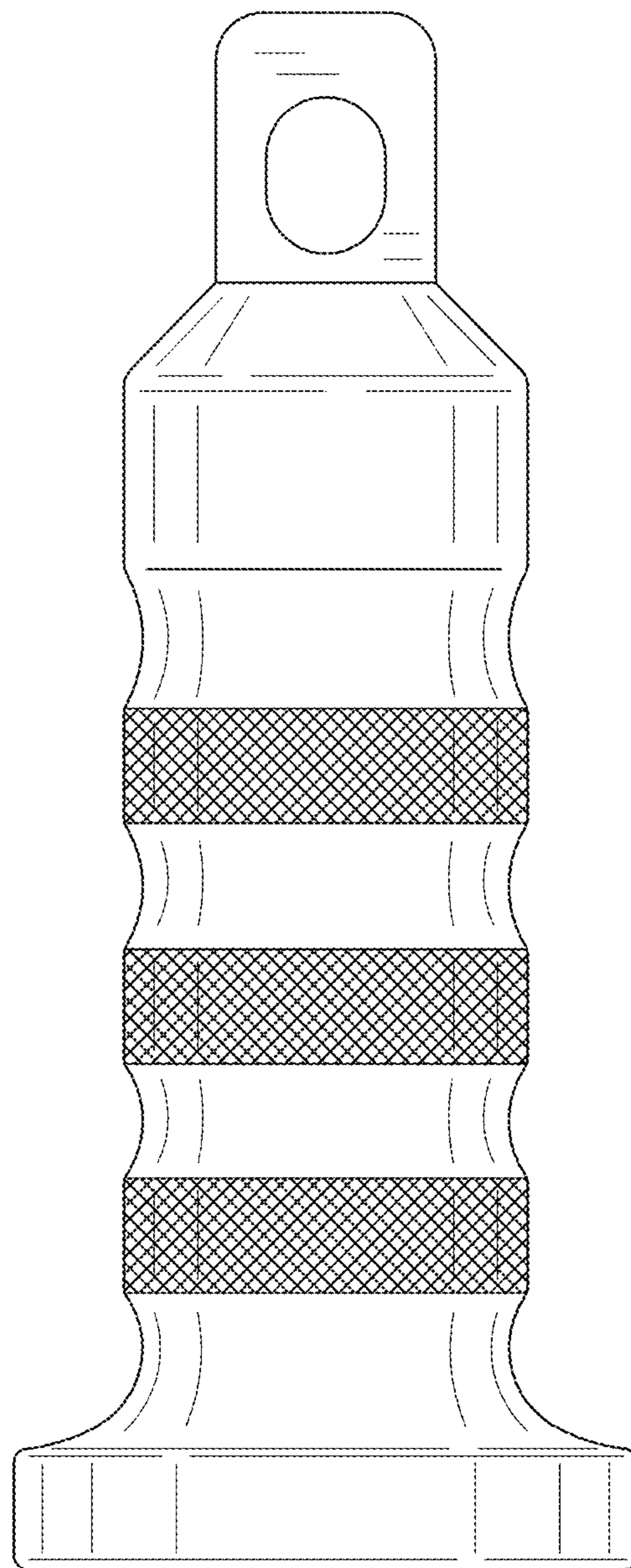


FIG. 1

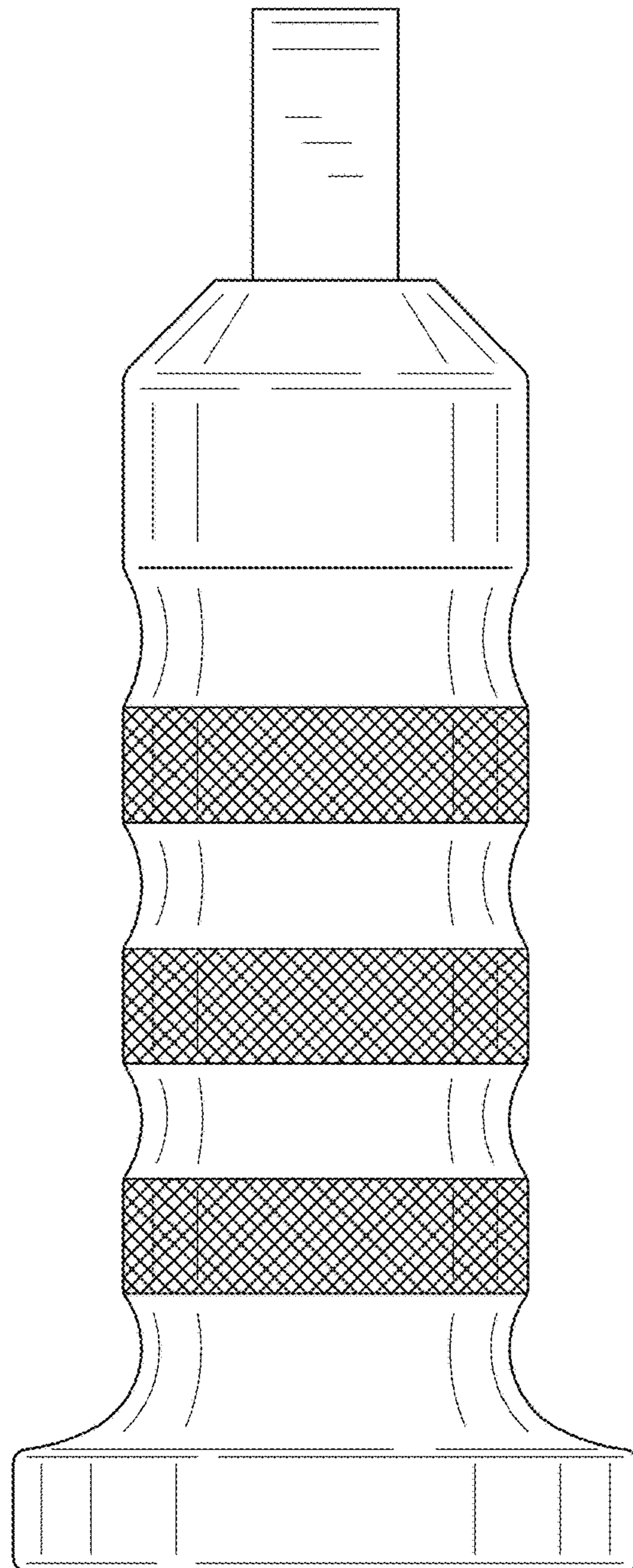


FIG. 2

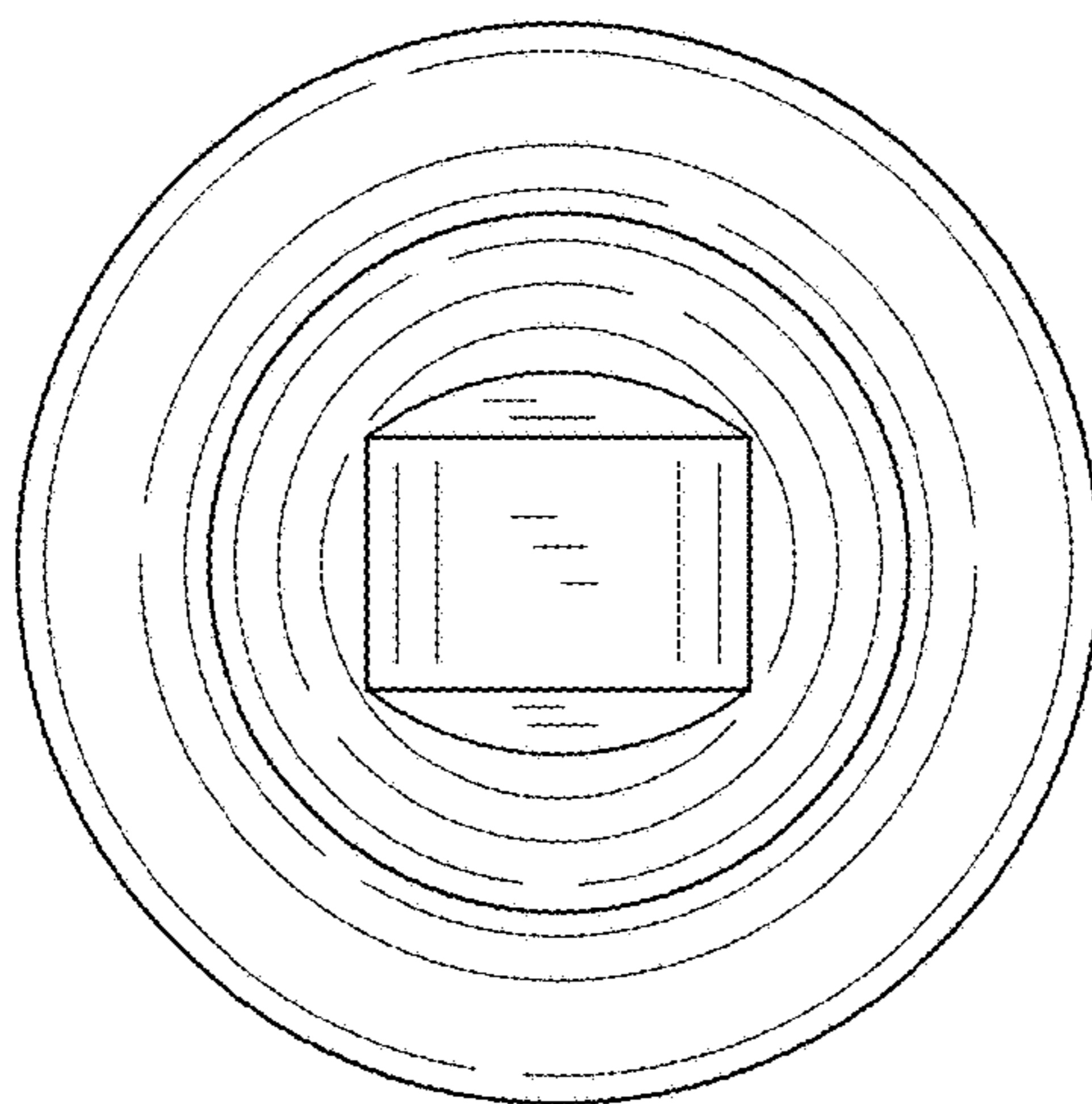


FIG. 3

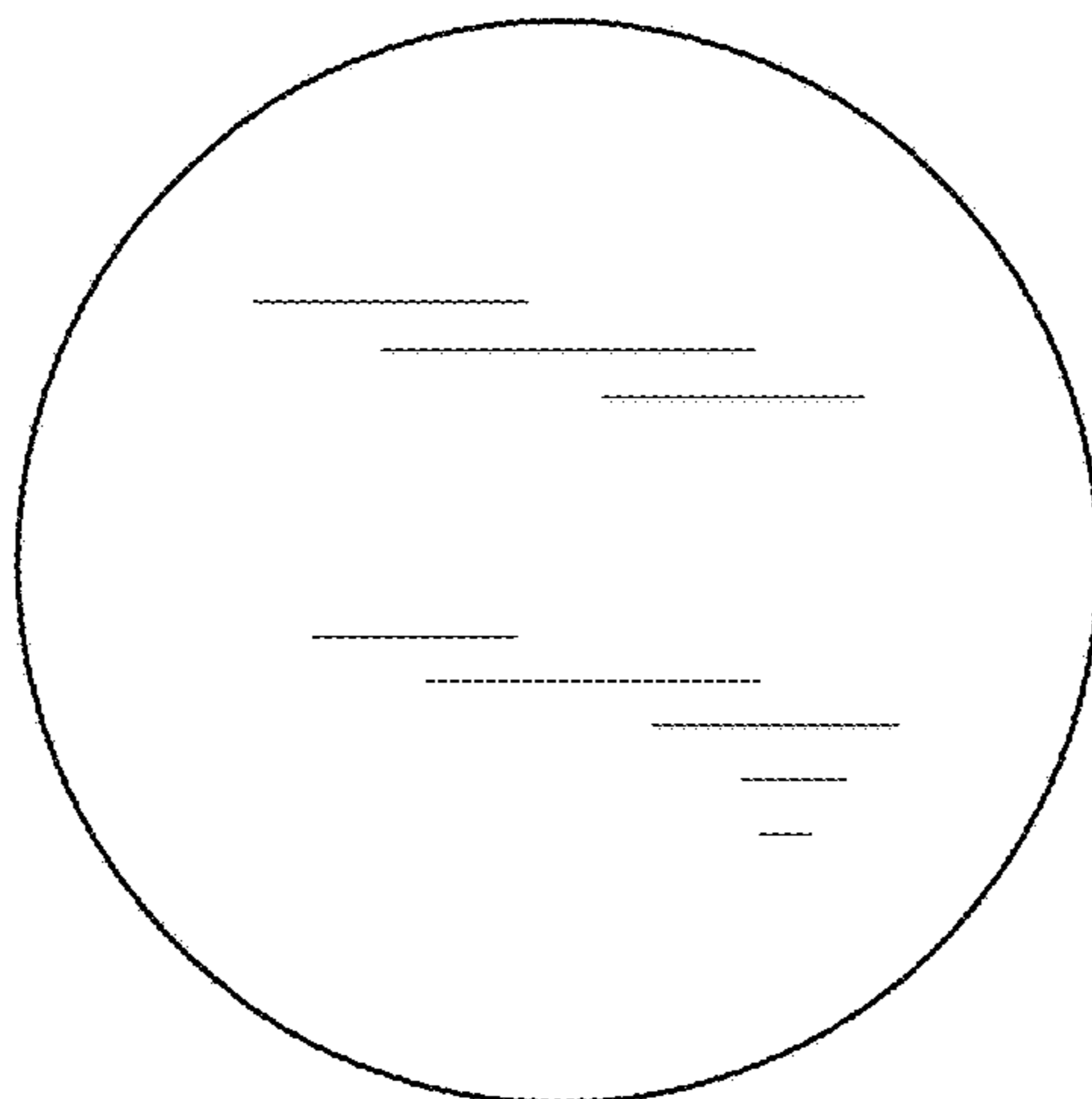


FIG. 4

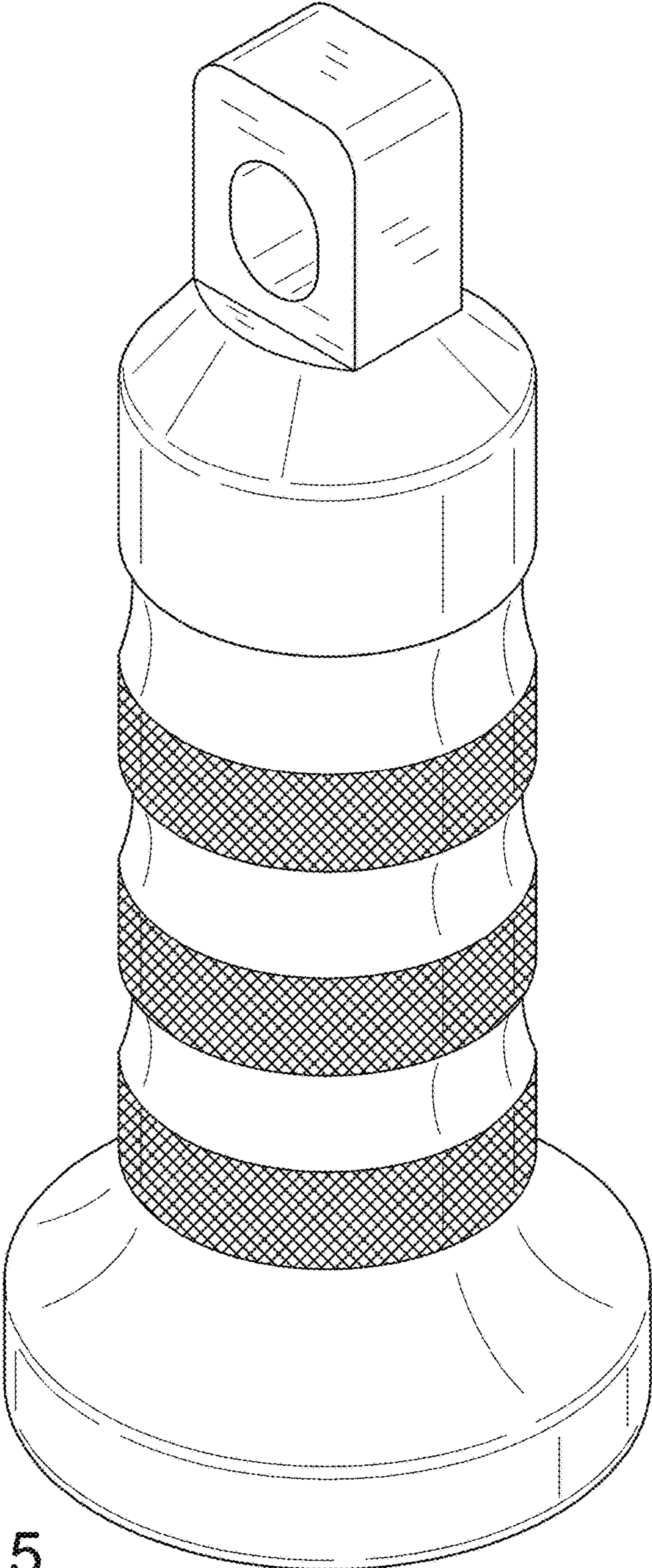


FIG. 5