



US00D857130S

(12) **United States Design Patent** (10) **Patent No.:** **US D857,130 S**  
**Arceta** (45) **Date of Patent:** **\*\* Aug. 20, 2019**

(54) **EXERCISE DUMBBELL**  
(71) Applicant: **Brunswick Corporation**, Mettawa, IL (US)  
(72) Inventor: **Radmond V. Arceta**, Libertyville, IL (US)  
(73) Assignee: **Brunswick Corporation**, Mettawa, WI (US)  
(\*\*) Term: **15 Years**  
(21) Appl. No.: **29/678,421**  
(22) Filed: **Jan. 29, 2019**

**Related U.S. Application Data**

(62) Division of application No. 29/628,291, filed on Dec. 4, 2017, now Pat. No. Des. 844,077.  
(51) **LOC (12) Cl.** ..... **21-02**  
(52) **U.S. Cl.**  
USPC ..... **D21/680**  
(58) **Field of Classification Search**  
USPC ..... 52/311.2, 390, 596, 604, 609; 404/34, 404/35, 36, 37, 38, 39, 40, 41, 42; 482/93, 106, 108; D21/662, 680, 681, D21/682, 684; D25/113, 114, 115, 116, D25/117, 118, 138, 151  
CPC ..... A63B 21/0726; A63B 21/072; A63B 2220/16  
See application file for complete search history.

**References Cited**

**U.S. PATENT DOCUMENTS**

1,139,827 A 5/1915 Watson  
1,316,683 A 9/1919 Calvert  
1,506,778 A 9/1924 George  
1,630,467 A \* 5/1927 Bradstreet ..... A63B 21/00047  
482/108  
2,345,205 A 3/1944 MacChesney

2,454,307 A \* 11/1948 Cooley ..... B44C 3/123  
220/23.4  
2,474,950 A 7/1949 MacChesney  
3,931,700 A \* 1/1976 Scanni ..... E01C 5/00  
52/311.2  
D268,437 S 3/1983 Giordano  
(Continued)

**FOREIGN PATENT DOCUMENTS**

CN 102814023 12/2012  
GB 2492079 12/2012

(Continued)

**OTHER PUBLICATIONS**

Lifefitness, "Studio Dumbbell", Mar. 17, 2019. <https://shop.lifefitness.com/studio-dumbbells>. Shown on p. 1. (Year: 2019).\*

*Primary Examiner* — Cynthia Ramirez  
*Assistant Examiner* — Michael A Maharajh  
(74) *Attorney, Agent, or Firm* — Andrus Intellectual Property Law, LLP

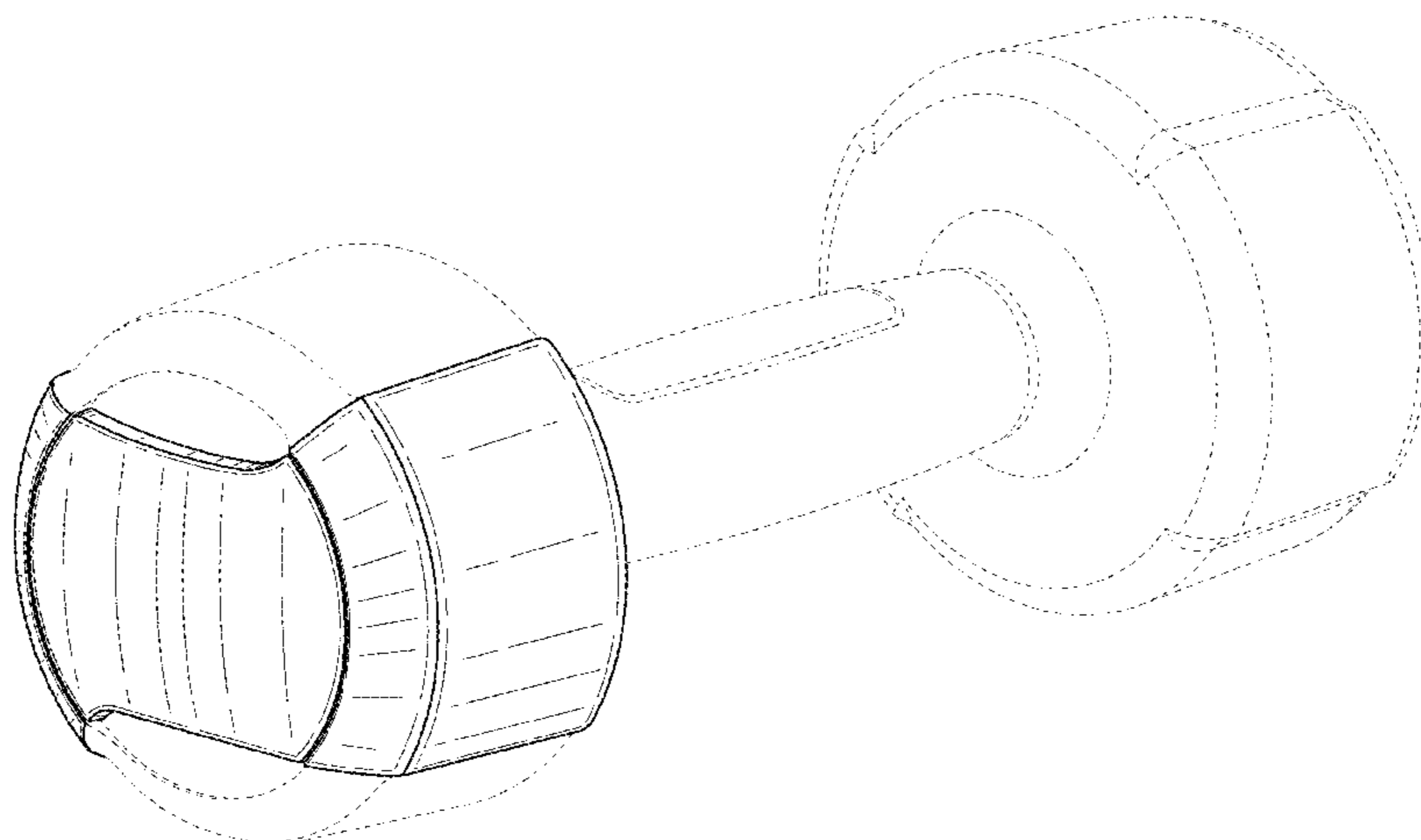
(57) **CLAIM**

The ornamental design for an exercise dumbbell, as shown and described.

**DESCRIPTION**

FIG. 1 is a front perspective view of an exercise dumbbell, showing my new design.  
FIG. 2 is a left side view thereof.  
FIG. 3 is a right side view thereof.  
FIG. 4 is a front view thereof.  
FIG. 5 is a rear view thereof.  
FIG. 6 is a top view thereof; and,  
FIG. 7 is a bottom view thereof.  
The broken lines represent portions of the exercise dumbbell that are shown for illustrative purposes only and form no part of the claimed design.

**1 Claim, 6 Drawing Sheets**



(56)

References Cited

U.S. PATENT DOCUMENTS

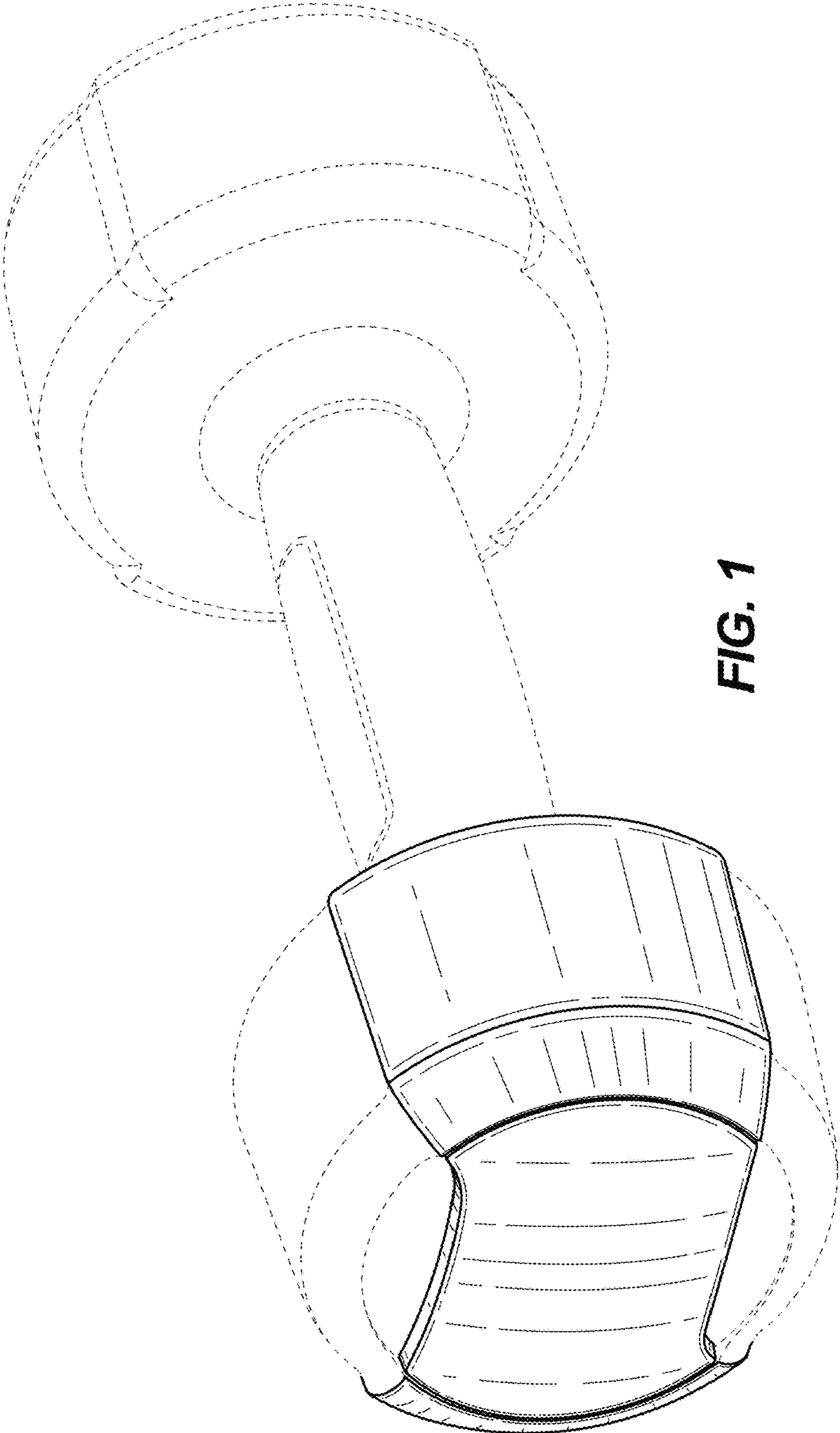
4,474,504 A \* 10/1984 Whitman ..... E02B 3/14  
404/40  
4,997,308 A \* 3/1991 Welling, Jr. .... E01C 5/00  
404/38  
D349,967 S \* 8/1994 Krueger ..... D25/113  
D409,266 S \* 5/1999 Rojas ..... D21/680  
D411,313 S \* 6/1999 Azar ..... D25/113  
D414,275 S 9/1999 Azar  
D426,001 S 5/2000 Azar  
D429,006 S \* 8/2000 Price ..... D25/113  
6,120,420 A \* 9/2000 Pearson ..... A63B 21/072  
482/106  
D431,870 S \* 10/2000 Ziegler, Jr. .... D25/113  
D433,158 S \* 10/2000 Hammer ..... D25/113  
6,132,344 A \* 10/2000 Vanderbleek ..... A63B 21/072  
482/108  
D440,322 S \* 4/2001 Abbrancati ..... D25/113  
D443,074 S \* 5/2001 Azar ..... D25/113  
6,319,176 B1 11/2001 Landfair  
D474,517 S 5/2003 Harms  
D483,083 S 12/2003 Allshouse et al.  
6,702,723 B2 3/2004 Landfair  
6,746,380 B2 6/2004 Lien et al.  
7,001,310 B1 \* 2/2006 Brice ..... A63B 21/075  
482/106  
7,182,715 B2 2/2007 Anderson  
D545,927 S 7/2007 Lien  
D546,478 S 7/2007 Adam  
D546,908 S 7/2007 Lien  
7,300,389 B2 11/2007 Lien et al.  
D562,919 S 2/2008 Hillson  
7,534,198 B1 \* 5/2009 Strong ..... A63B 71/0036  
482/94  
D597,612 S 8/2009 Lien  
7,588,519 B2 \* 9/2009 McClusky ..... A63B 21/06  
482/106  
7,704,196 B2 4/2010 Lien et al.  
7,704,197 B2 \* 4/2010 Yu ..... A63B 21/063  
482/108  
D620,148 S 7/2010 Rhee  
D620,149 S 7/2010 Rhee  
7,762,933 B1 7/2010 Yu  
D621,074 S 8/2010 Rhee  
D624,614 S 9/2010 Lien  
D628,251 S 11/2010 Krull et al.  
7,972,250 B2 \* 7/2011 Viselman ..... A63B 21/072  
482/141  
7,981,013 B2 7/2011 Krull  
D643,075 S 8/2011 Childs  
D653,716 S 2/2012 Lin

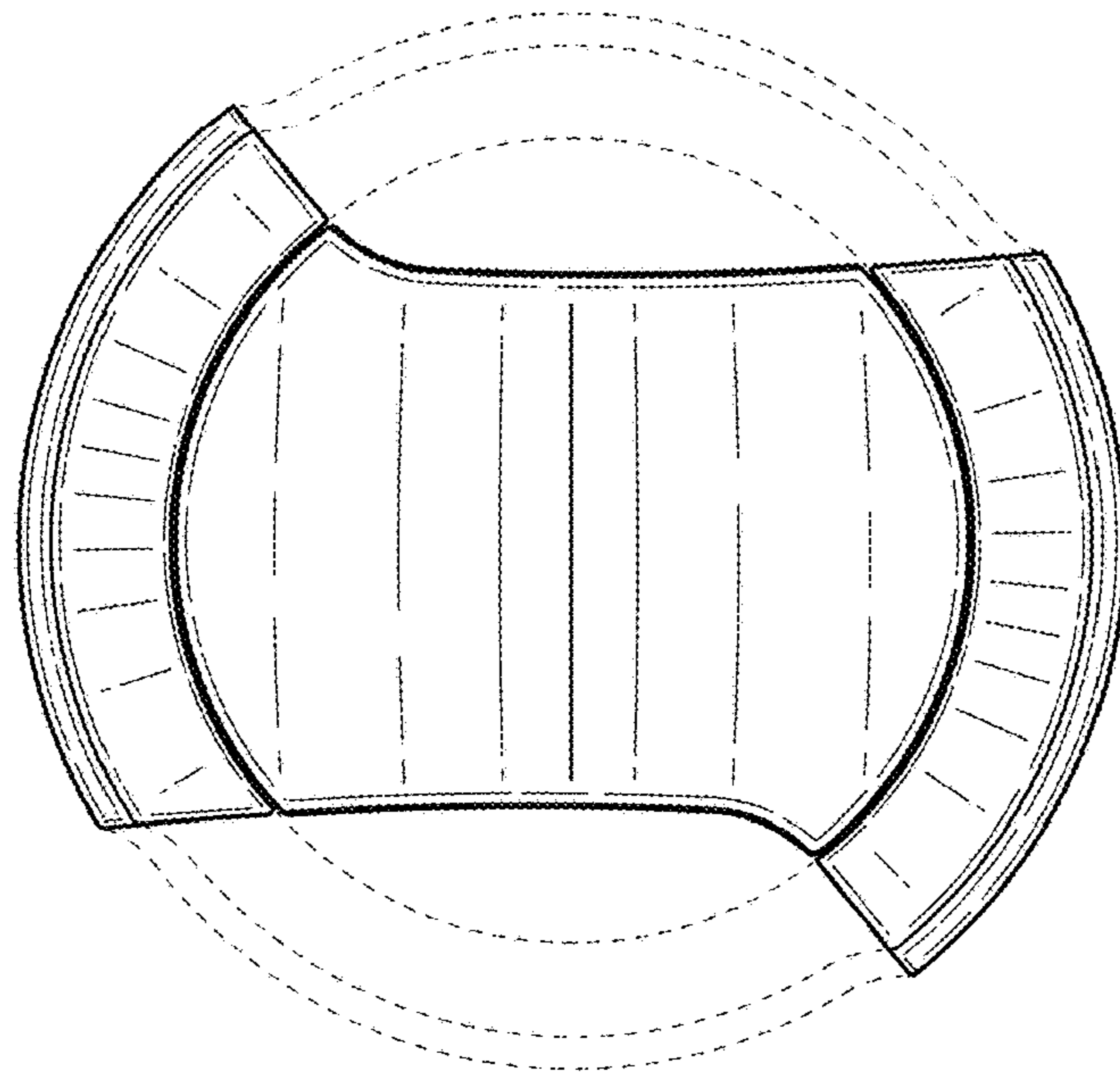
D654,971 S 2/2012 Januszek  
D673,230 S 12/2012 Qin  
D683,803 S 6/2013 Childs  
D685,866 S 7/2013 Kinsbourne  
D692,509 S 10/2013 Kessler  
D692,969 S 11/2013 Davies, III  
8,591,387 B2 11/2013 Fife  
8,684,889 B1 \* 4/2014 Berrisford ..... A63B 21/4035  
482/107  
D715,177 S 10/2014 Vaughan et al.  
8,944,971 B2 2/2015 Shorter  
8,992,396 B2 \* 3/2015 Wang ..... A63B 21/0726  
482/106  
D728,040 S 4/2015 Peterson  
9,039,586 B2 \* 5/2015 Januszek ..... A63B 21/0724  
482/106  
D732,614 S \* 6/2015 Davies, III ..... D21/680  
D739,482 S \* 9/2015 Lien ..... D21/681  
9,155,930 B2 \* 10/2015 Adkins ..... A63B 21/075  
D749,177 S 2/2016 Childs  
D751,157 S 3/2016 Irwin  
D753,247 S \* 4/2016 Flick ..... D21/681  
D781,455 S \* 3/2017 Risi ..... D25/113  
9,597,542 B2 3/2017 Marich et al.  
9,616,269 B1 4/2017 Burosh  
9,687,690 B2 \* 6/2017 Park ..... A63B 21/0726  
9,731,159 B2 8/2017 Reynolds et al.  
D795,592 S 9/2017 Towley  
9,770,619 B1 9/2017 Bullock  
D799,975 S 10/2017 Anvaripour  
D811,019 S 2/2018 Alton  
D830,582 S \* 10/2018 Ness ..... D25/113  
D830,583 S \* 10/2018 Ness ..... D25/113  
D832,942 S \* 11/2018 Arceta ..... D21/680  
D842,399 S \* 3/2019 Arceta ..... D21/680  
D842,941 S \* 3/2019 Brezovar ..... D21/680  
2010/0210427 A1 8/2010 Yu  
2010/0255960 A1 10/2010 Kessler  
2011/0306475 A1 12/2011 Caswell et al.  
2012/0322631 A1 12/2012 Januszek  
2013/0012367 A1 1/2013 Williams  
2013/0157814 A1 6/2013 Nowicki  
2013/0244843 A1 9/2013 Burwell et al.  
2015/0038303 A1 2/2015 Adkins  
2016/0236029 A1 8/2016 Kaszer

FOREIGN PATENT DOCUMENTS

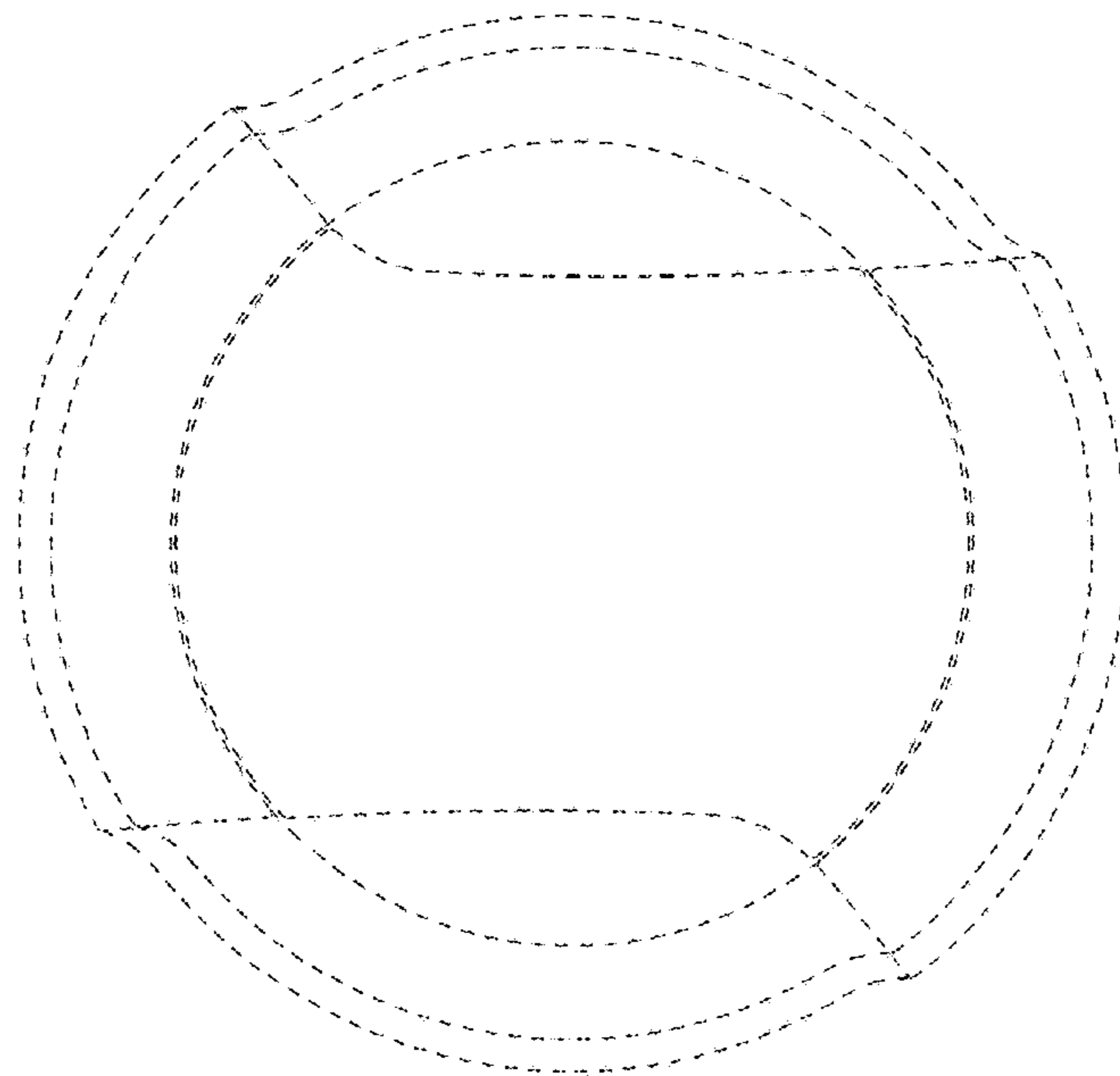
GB 2525012 10/2015  
WO 2013/181757 12/2013  
WO 2014/008568 1/2014  
WO 2017/024611 2/2017

\* cited by examiner

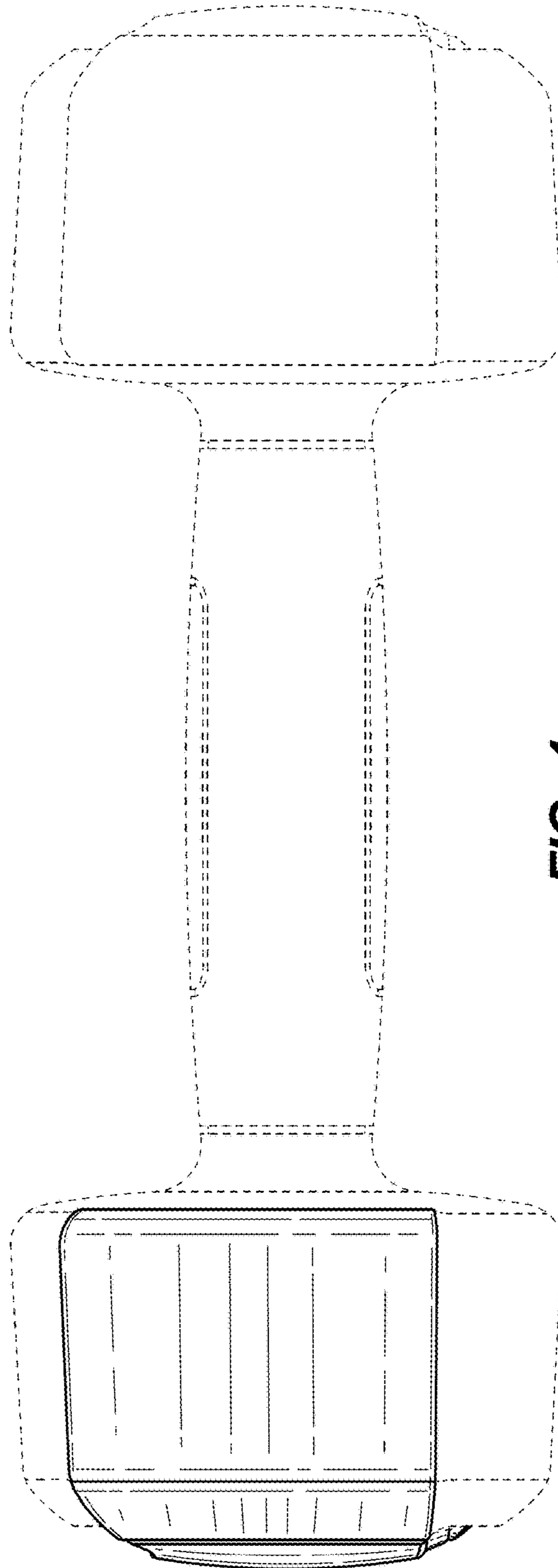




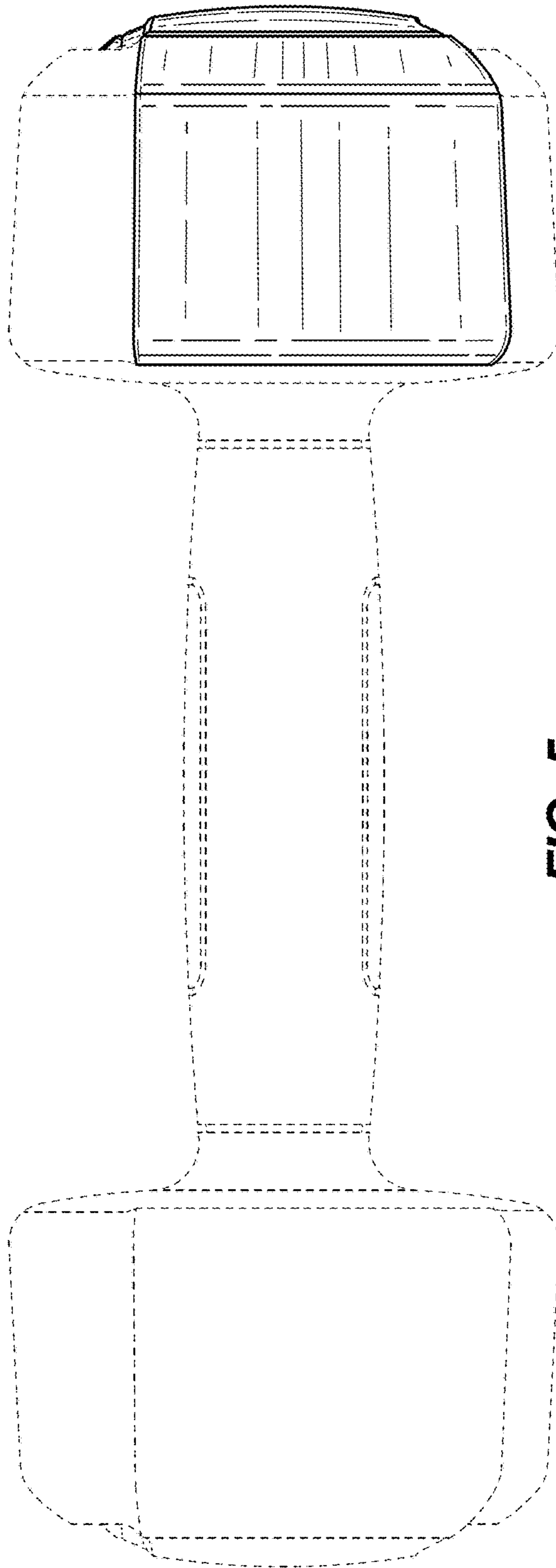
**FIG. 2**



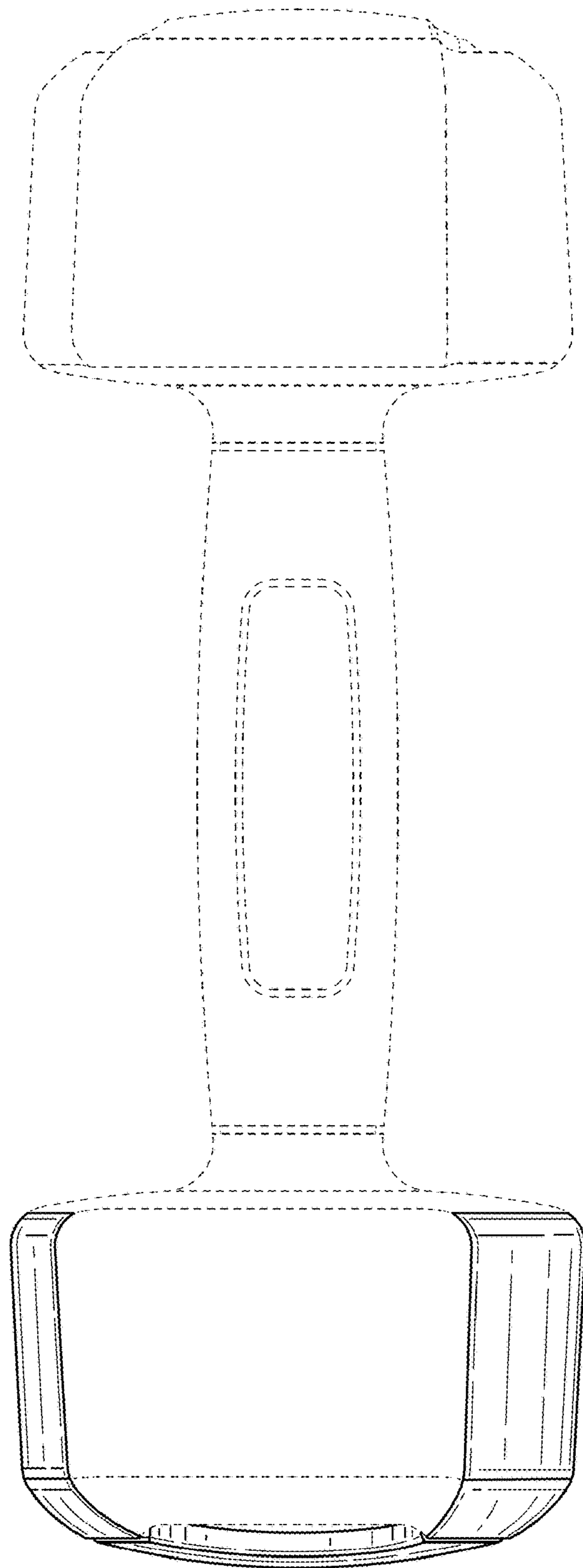
**FIG. 3**



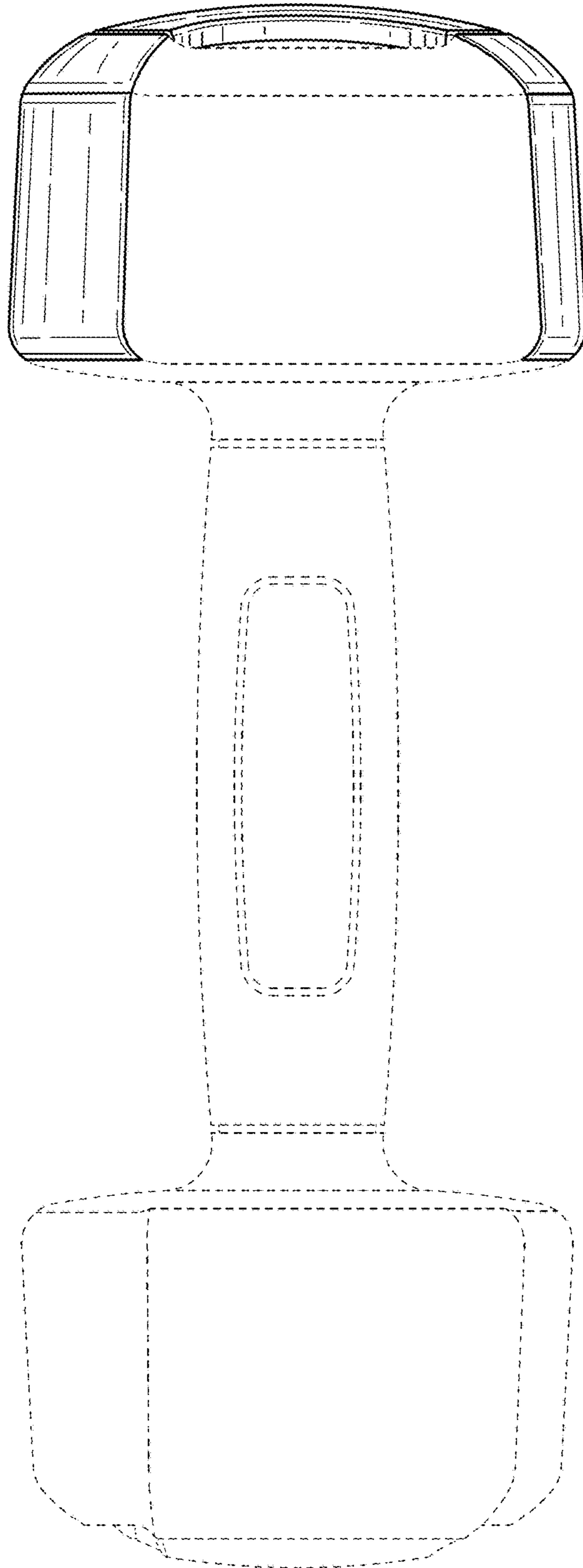
**FIG. 4**



**FIG. 5**



**FIG. 6**



**FIG. 7**