



US00D857125S

(12) **United States Design Patent** (10) **Patent No.:** **US D857,125 S**
Buonocore (45) **Date of Patent:** **** Aug. 20, 2019**

(54) **PLUSH BEE**
(71) Applicant: **Ontel Products Corporation**, Fairfield, NJ (US)
(72) Inventor: **Carly Buonocore**, Lincoln Park, NJ (US)
(73) Assignee: **Ontel Products Corporation**, Fairfield, NJ (US)
(**) Term: **15 Years**
(21) Appl. No.: **29/679,246**
(22) Filed: **Feb. 4, 2019**
(51) **LOC (12) Cl.** **21-01**
(52) **U.S. Cl.**
USPC **D21/650**
(58) **Field of Classification Search**
USPC D6/598; D11/158, 162; D21/576–596, D21/604–605, 630, 650; 446/368–369, 446/376, 428, 487
CPC ... A63H 3/00; A63H 3/02; A63H 3/04; A63H 3/12; A63H 3/16; A63H 3/28; A63H 33/00; A63H 11/00; A63H 11/10; A63H 11/20; A63H 13/00; A63H 33/04; A63H 33/08
See application file for complete search history.

D409,037 S * 5/1999 Bear D21/650
D428,453 S * 7/2000 Reithmeier D21/650
6,126,507 A * 10/2000 Lieberman A63H 3/003
446/72
D435,070 S * 12/2000 Cutillo D21/576
D441,411 S * 5/2001 Griswell D21/630
D596,244 S * 7/2009 Levy D21/630
D621,888 S * 8/2010 Rappaport-Rowan
A63H 3/12
D21/650
D698,399 S * 1/2014 Friedland D21/650
D752,692 S * 3/2016 Arias Segui D21/576
D765,191 S * 8/2016 March A63H 3/003
D21/650
D801,476 S * 10/2017 Lin A63H 3/02
D21/650
9,975,053 B1 * 5/2018 Sutton A63H 3/02
2014/0237700 A1 8/2014 Albert

* cited by examiner

Primary Examiner — Sandra L Morris
(74) *Attorney, Agent, or Firm* — John S. Artz; Dickinson Wright PLLC

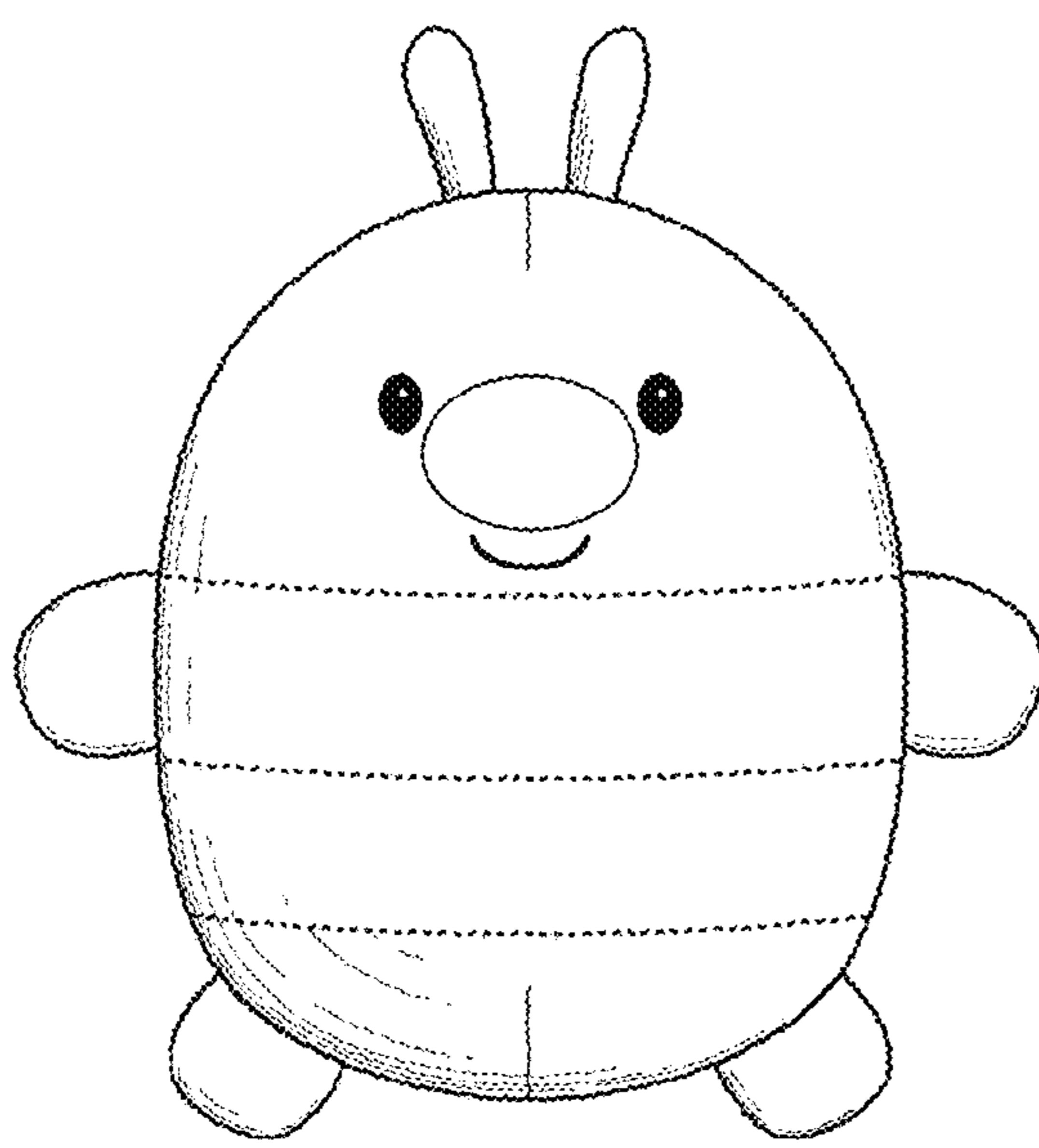
(57) **CLAIM**
I claim the ornamental design for a plush bee, as shown and described.

DESCRIPTION

FIG. 1 is a front perspective view of a plush bee; FIG. 2 is a front view of the plush bee of FIG. 1; FIG. 3 is a rear view of the plush bee of FIG. 1; FIG. 4 is a right side view of the plush bee of FIG. 1; FIG. 5 is a left side view of the plush bee of FIG. 1; FIG. 6 is a top view of the plush bee of FIG. 1; and, FIG. 7 is a bottom view of the plush bee of FIG. 1. The broken lines in the drawings illustrate portions of the plush bee that form no part of the claimed design.

1 Claim, 4 Drawing Sheets

(56) **References Cited**
U.S. PATENT DOCUMENTS
D288,106 S * 2/1987 Dotson, Jr. D21/650
5,090,938 A * 2/1992 Reynolds A63H 3/12
446/369
D408,196 S * 4/1999 Bear D21/650
5,895,308 A * 4/1999 Spector A63H 3/02
446/397



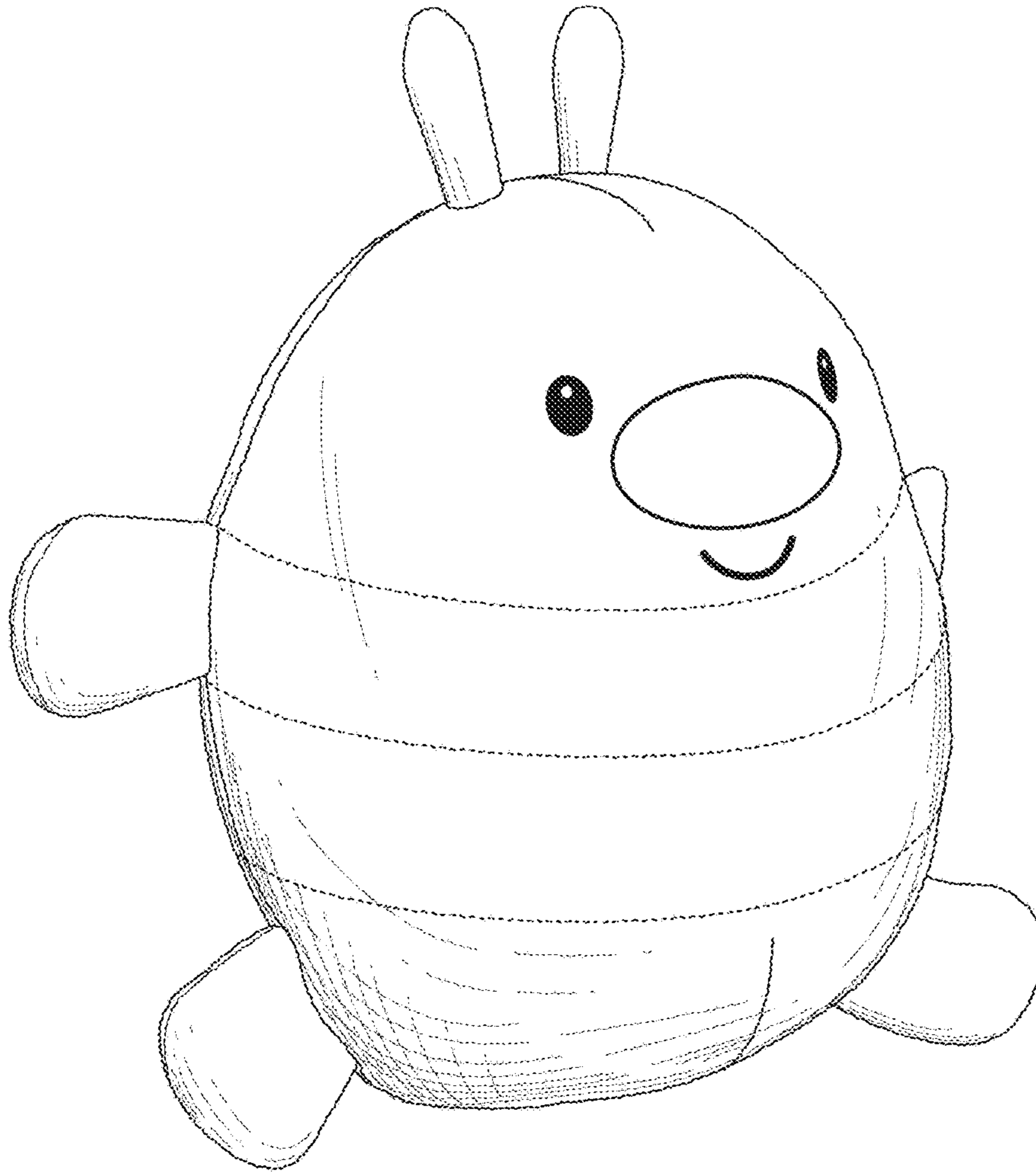


FIG. 1

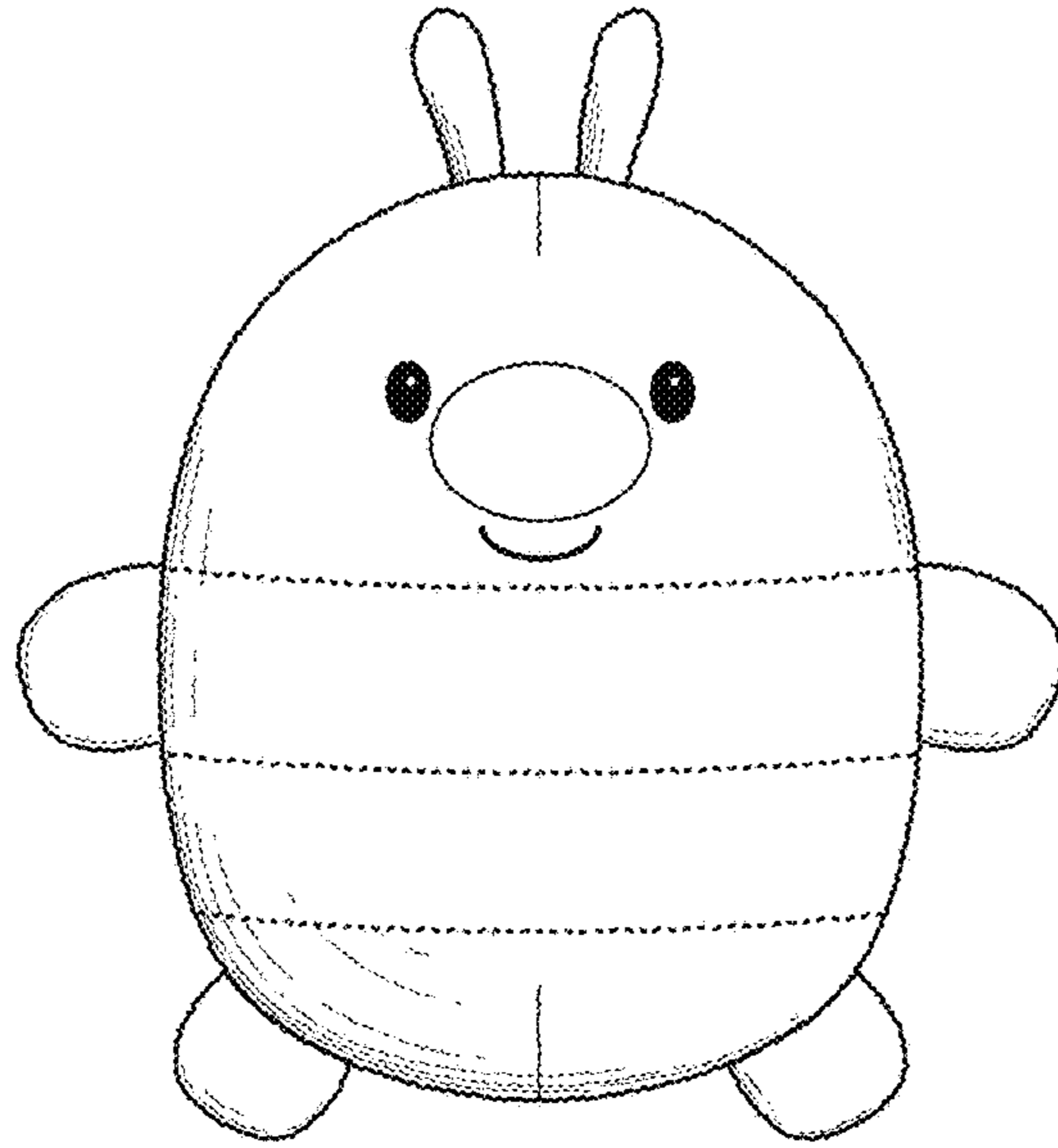


FIG. 2

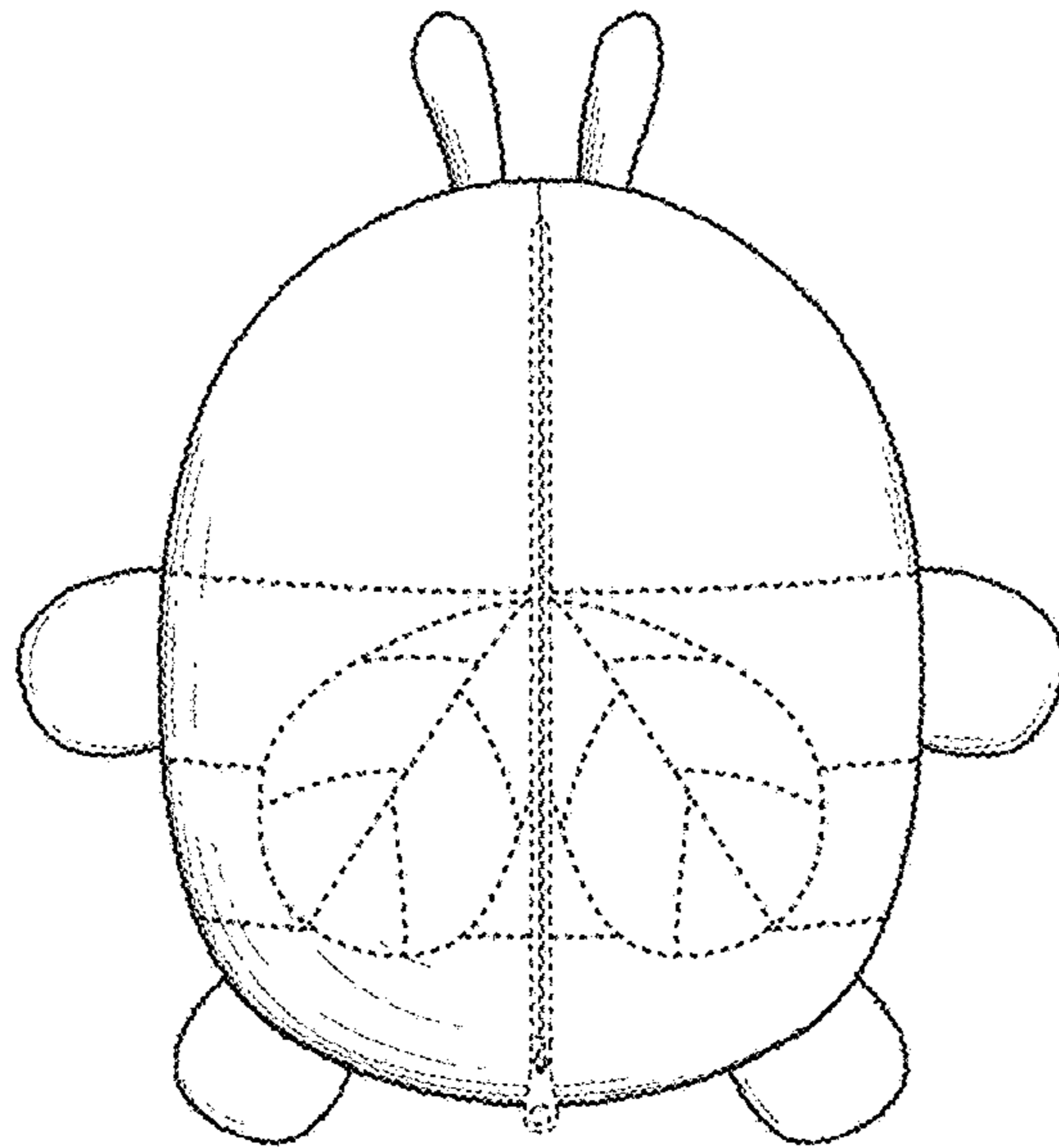


FIG. 3

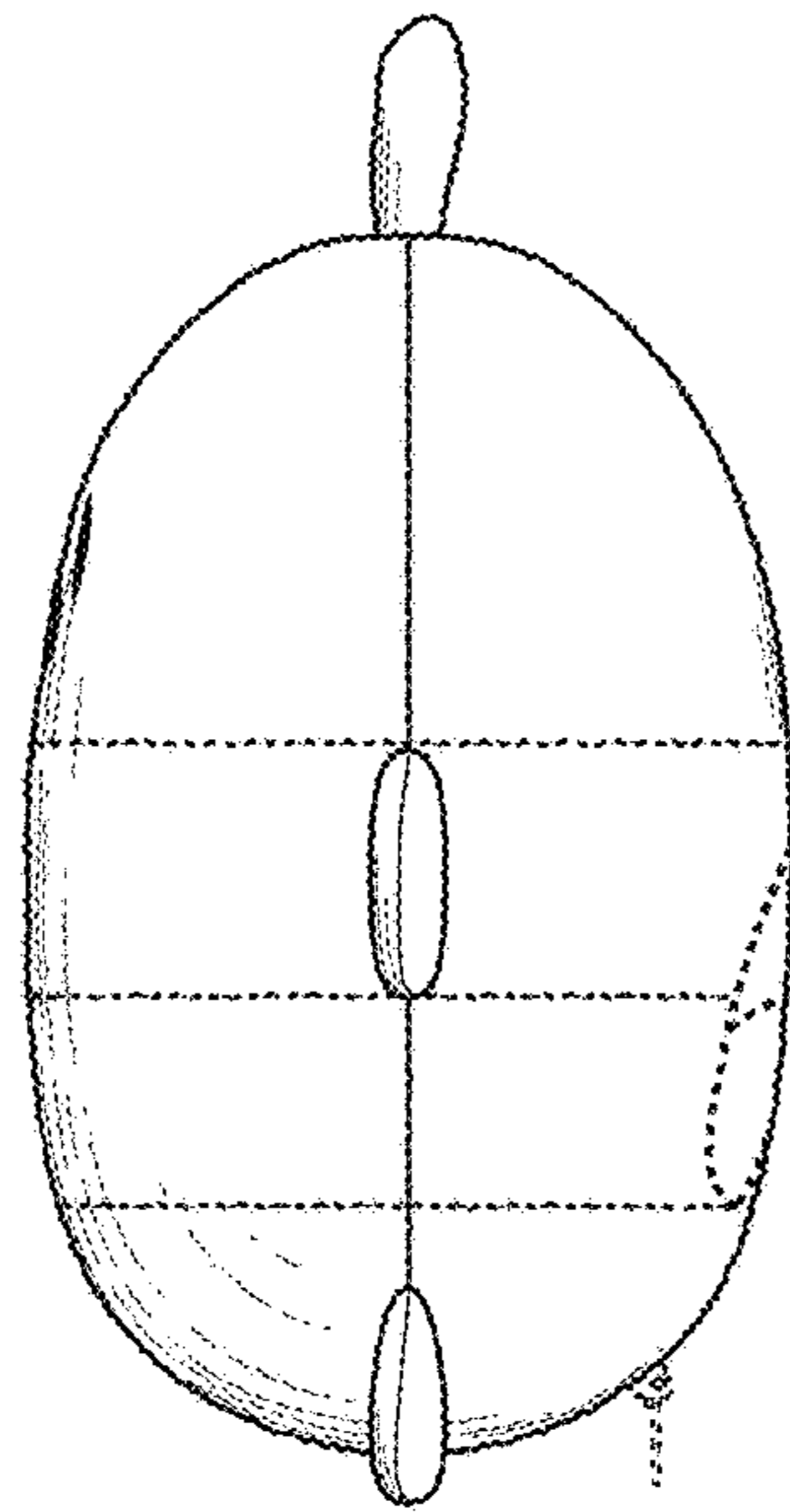


FIG. 4

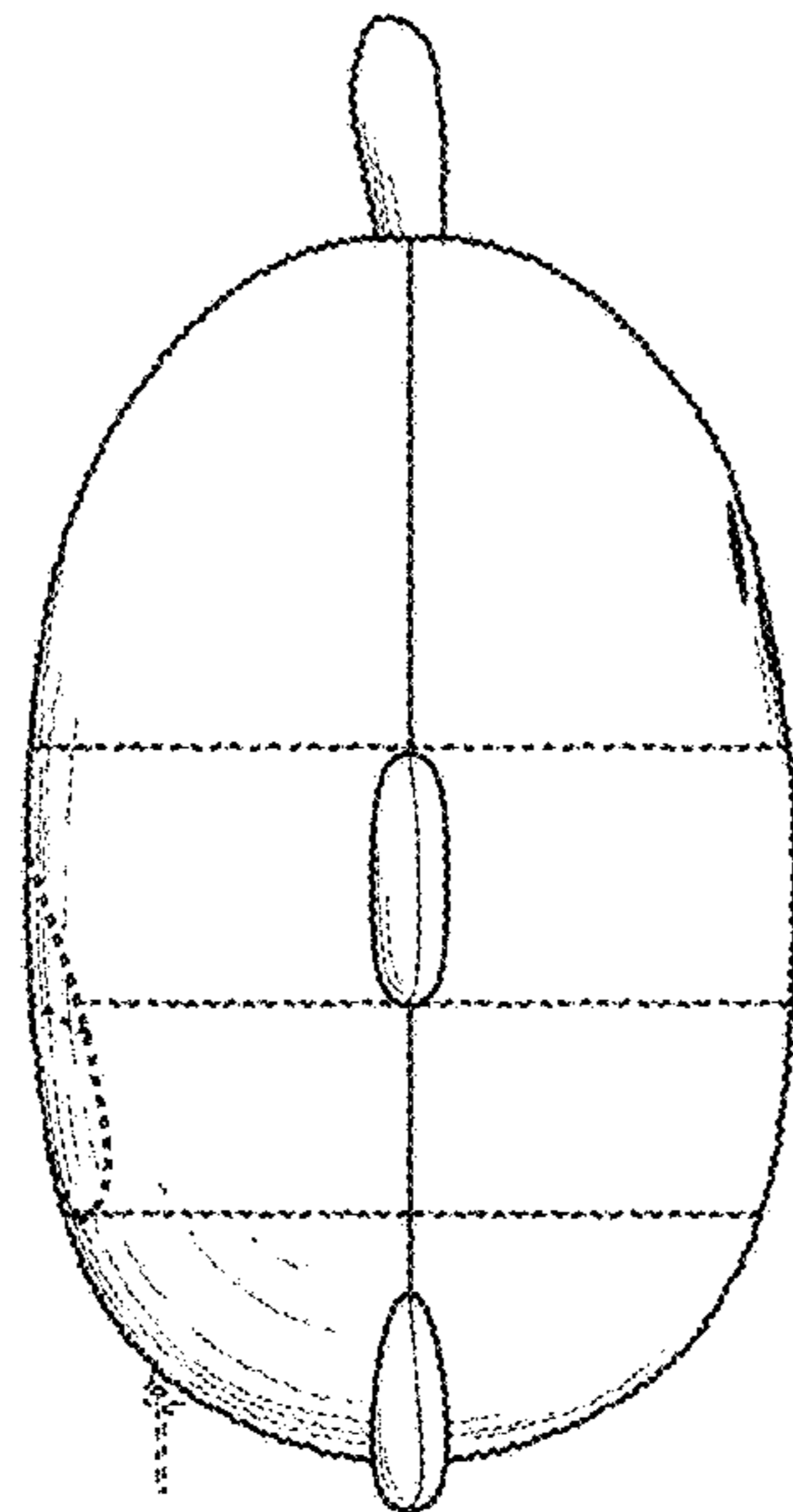


FIG. 5

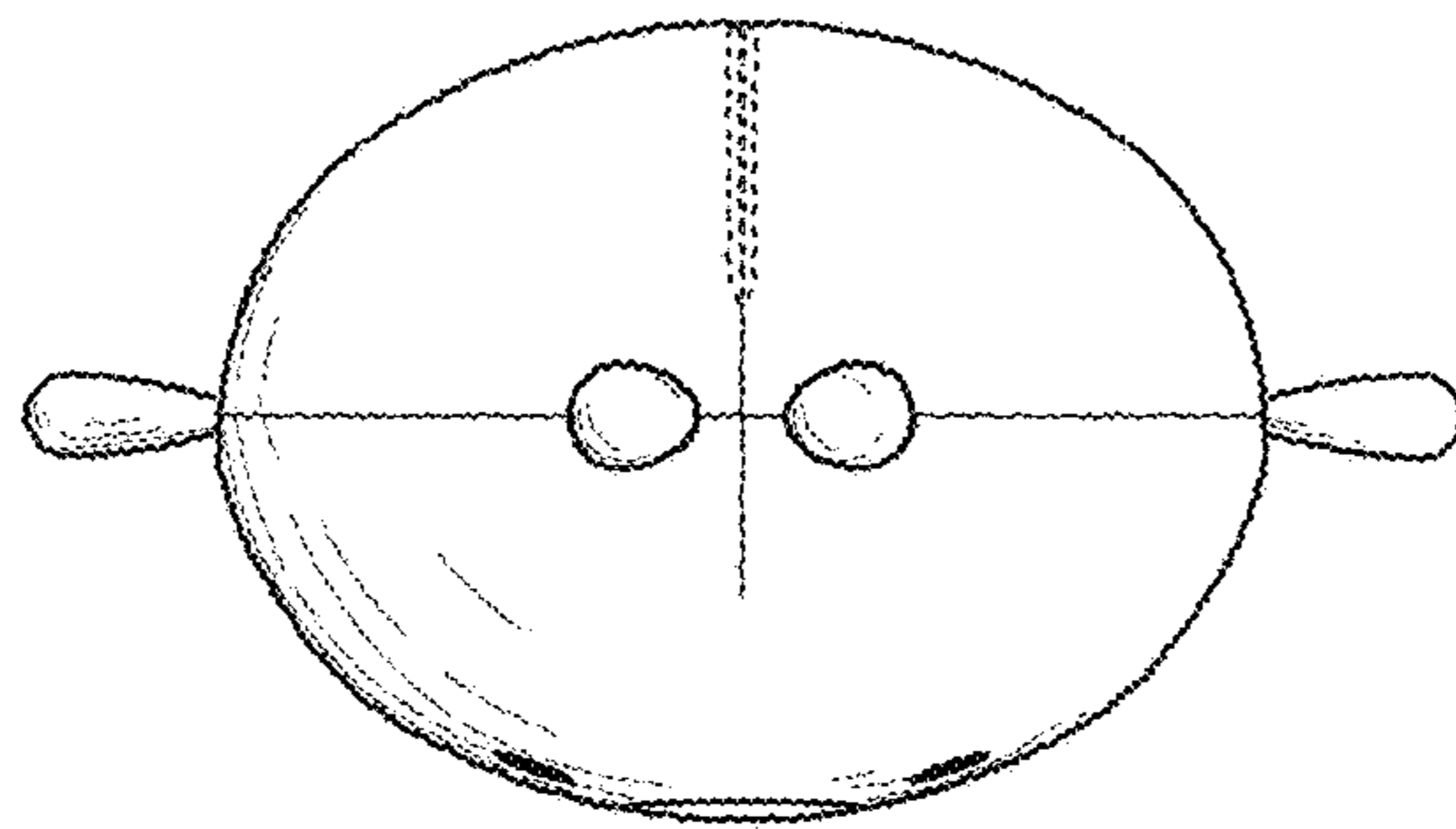


FIG. 6

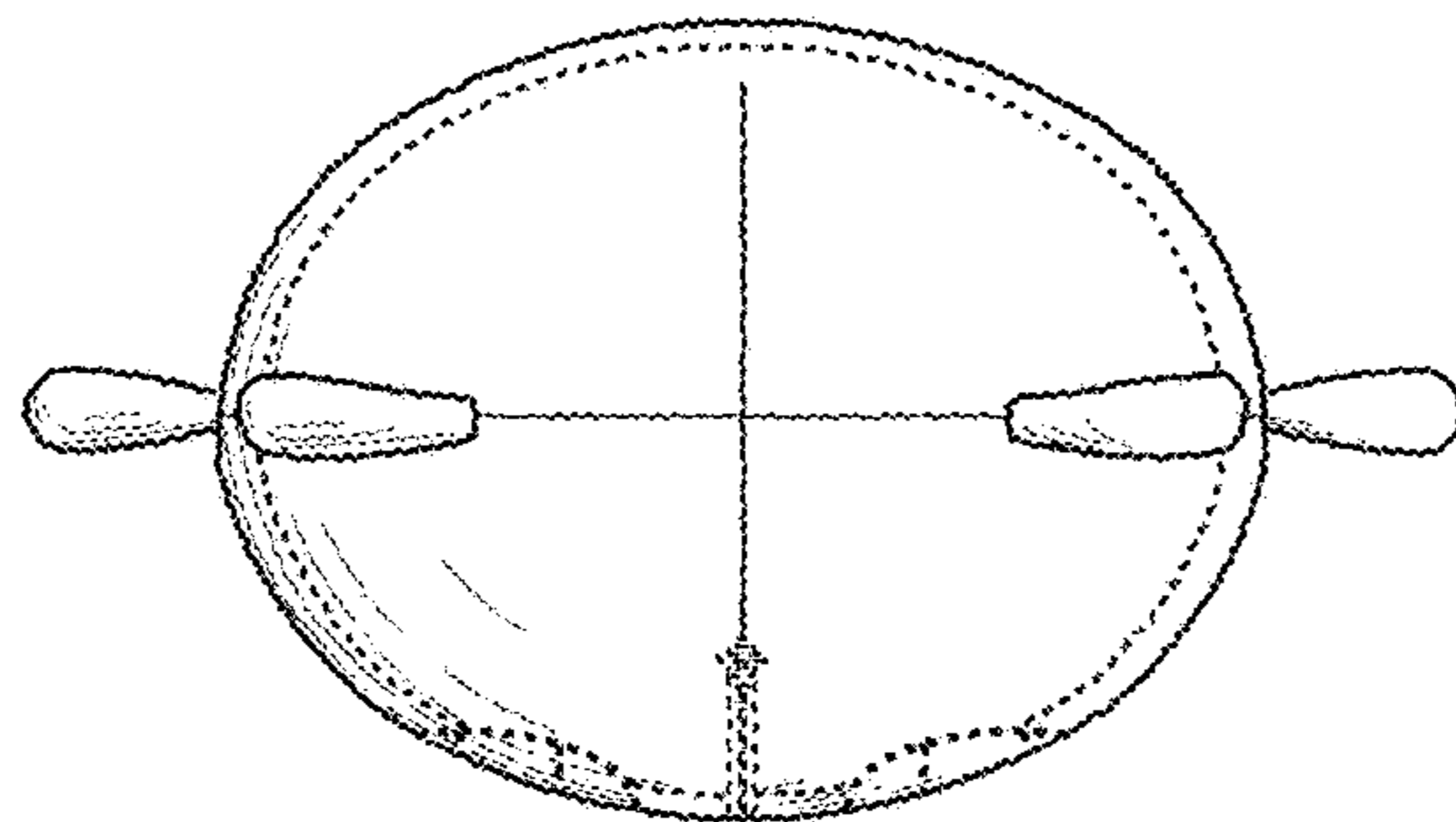


FIG. 7