



US00D857115S

(12) **United States Design Patent** (10) **Patent No.:** **US D857,115 S**
Bilodeau et al. (45) **Date of Patent:** **** Aug. 20, 2019**

(54) **CONSTRUCTION SET ELEMENT**

(71) Applicant: **Mattel-MEGA Holdings (US), LLC**,
El Segundo, CA (US)

(72) Inventors: **Maxence Bilodeau**, Montreal (CA);
Maxime Pouliot, Pierrefonds (CA)

(73) Assignee: **Mattel-MEGA Holdings (US), LLC**,
El Segundo, CA (US)

(**) Term: **15 Years**

(21) Appl. No.: **29/663,523**

(22) Filed: **Sep. 17, 2018**

Related U.S. Application Data

(62) Division of application No. 29/601,804, filed on Apr.
26, 2017, now Pat. No. Des. 834,104.

(51) **LOC (12) Cl.** **21-02**

(52) **U.S. Cl.**
USPC **D21/500; D21/495**

(58) **Field of Classification Search**

USPC D21/386, 389, 404, 468, 470, 471,
D21/484–505; 446/69, 85, 102–128;
434/208, 259, 403; 273/153, 156, 160
CPC A63H 33/00; A63H 33/04; A63H 33/044;
A63H 33/06; A63H 33/08; A63H 33/084;
A63H 33/086; A63H 33/088; A63H
33/10; A63H 33/12; A63H 33/105; A63H
33/108; A63H 3/00; A63H 3/16; A63H
3/46; E04C 1/00; E04C 1/40; E04B 2/14;
E04B 2/16; E04B 2/18

See application file for complete search history.

(56) **References Cited**

U.S. PATENT DOCUMENTS

2,972,833 A 2/1961 La Grutta
D231,546 S 4/1974 Christiansen et al.
4,306,373 A 12/1981 Chatani et al.
D393,496 S * 4/1998 Glickman D21/658

(Continued)

OTHER PUBLICATIONS

Mega Bloks STRUXX part No. 72818—2x2x1 Hip, circa 2012.

(Continued)

Primary Examiner — Cynthia M. Chin

(74) *Attorney, Agent, or Firm* — Plumsea Law Group,
LLC

(57) **CLAIM**

The ornamental design for a construction set element, as
shown and described.

DESCRIPTION

FIG. 1 is a top isometric perspective view of a construction
set element showing the new design;

FIG. 2 is a front elevational view thereof;

FIG. 3 is a rear elevational view thereof;

FIG. 4 is a side elevational view of one side thereof;

FIG. 5 is a side elevational view of the opposite side thereof;

FIG. 6 is a top plan view thereof;

FIG. 7 is a bottom plan view thereof;

FIG. 8 is a top isometric perspective view of a construction
set element showing a second embodiment of the new
design;

FIG. 9 is a front elevational view thereof;

FIG. 10 is a rear elevational view thereof;

FIG. 11 is a side elevational view of one side thereof;

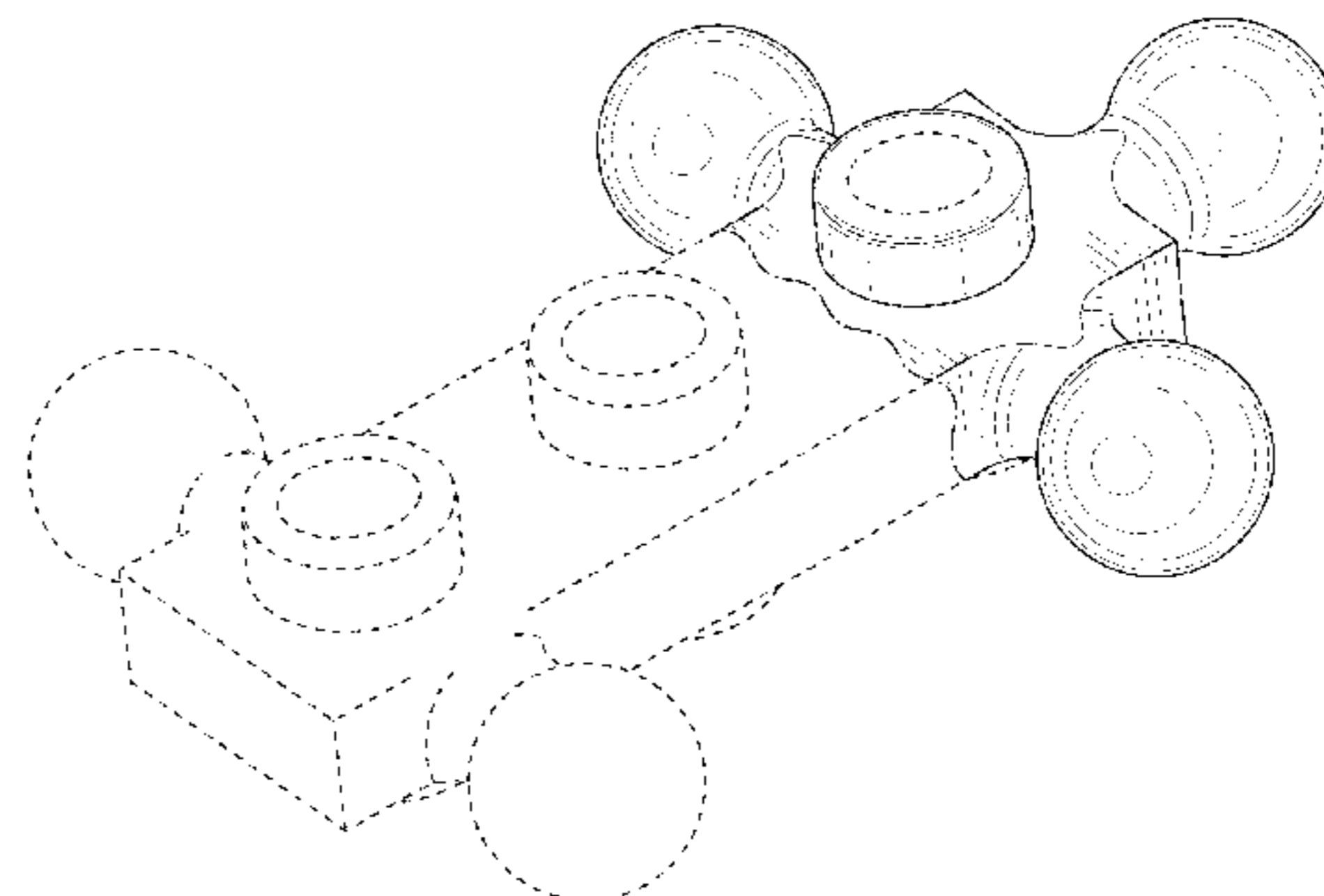
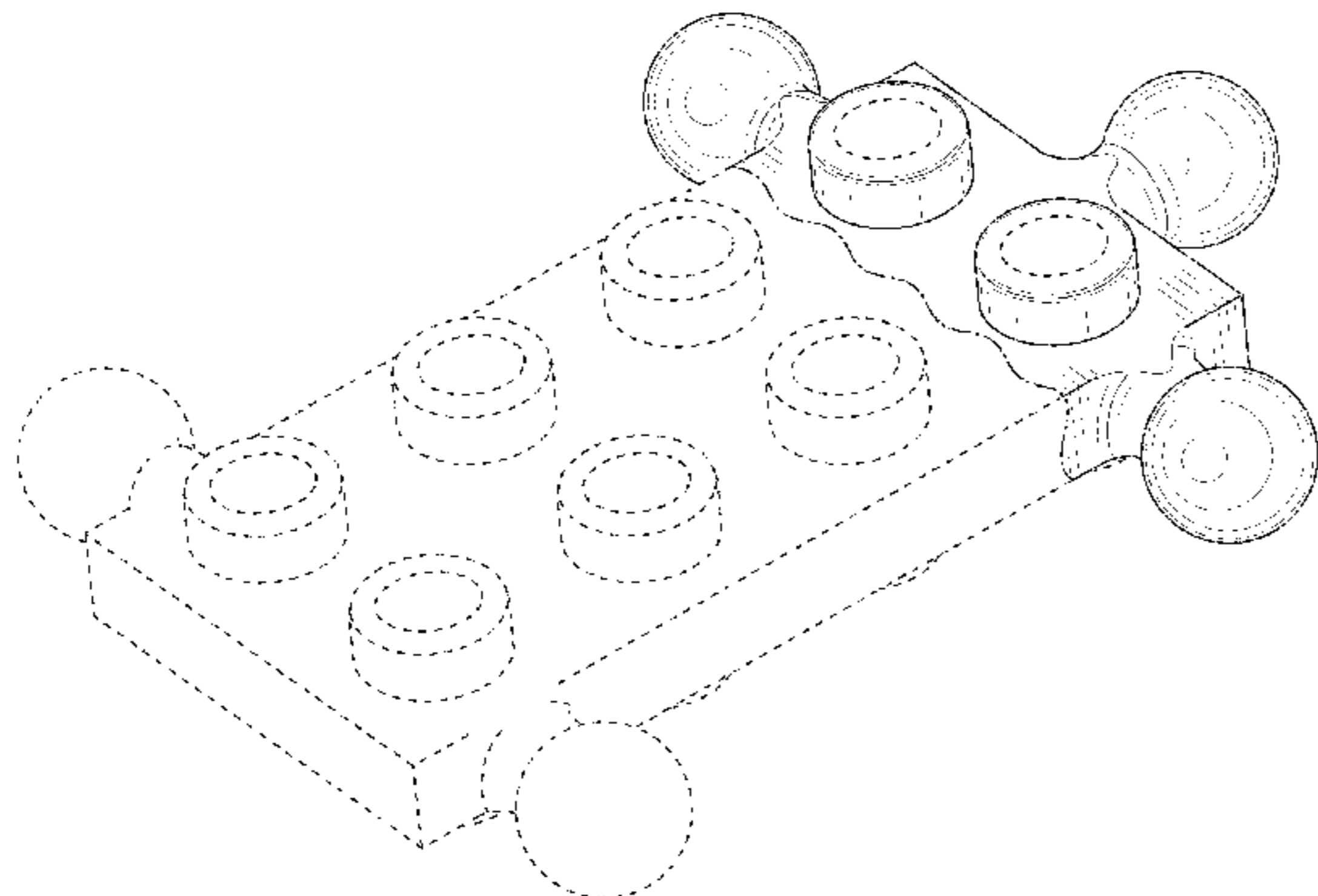
FIG. 12 is a side elevational view of the opposite side
thereof;

FIG. 13 is a top plan view thereof; and,

FIG. 14 is a bottom plan view thereof.

The evenly spaced broken lines and unshaded areas are
included to illustrate parts of the article's appearance that
form no part of the claimed design. The dash-dot broken
lines define the boundaries of the claimed design and form
no part thereof.

1 Claim, 14 Drawing Sheets



(56)

References Cited

U.S. PATENT DOCUMENTS

5,769,681 A * 6/1998 Greenwood, Sr. ... A63H 33/062
446/120

5,853,314 A 12/1998 Bora

D409,680 S 5/1999 Krog

D409,682 S 5/1999 Krog

D410,044 S 5/1999 Krog

5,913,706 A * 6/1999 Glickman A63H 33/062
446/120

D411,864 S 7/1999 Krog

D545,381 S 6/2007 Sorensen

D545,918 S 7/2007 Sorensen

7,255,624 B2 8/2007 Daftari

7,273,404 B2 9/2007 Kowalski et al.

D575,833 S 8/2008 Fink et al.

D608,400 S * 1/2010 Ryaa D21/500

D622,329 S 8/2010 Davies

D657,828 S * 4/2012 Arnold D21/471

D675,681 S * 2/2013 Rottje D21/486

D676,090 S * 2/2013 Rottje D21/486

D695,849 S 12/2013 Andersen

D695,850 S 12/2013 Andersen

D696,361 S * 12/2013 Rottje D21/486

D717,378 S * 11/2014 Balanchi D21/404

9,067,147 B1 6/2015 Woodhouse

D754,260 S 4/2016 Chen et al.

D755,901 S 5/2016 Chen et al.

D755,903 S * 5/2016 Chen D21/499

2010/0330867 A1 12/2010 Fogel et al.

2013/0252503 A1 9/2013 Kwok et al.

2015/0174502 A1 6/2015 Saigo et al.

2015/0314209 A1 11/2015 Brooks et al.

2015/0314210 A1 11/2015 Lama et al.

2017/0340981 A1 11/2017 Iliovits

2017/0368448 A1 12/2017 Morrow et al.

OTHER PUBLICATIONS

Mega Bloks STRUXX part No. 72819—2x2x1 Ball and Cup, circa 2012.

Mega Bloks STRUXX part No. 73414—2x2 Cup, circa 2012.

Mega Bloks STRUXX part No. 73439—2x2 Ball, circa 2012.

Mega Bloks STRUXX 6000 Basixx 40x playbook, 2008.

Mega Bloks STRUXX AD060006 Helicopter playbook, 2008.

Mega Bloks STRUXX AD060008 Flying Reptile playbook, 2008.

Mega Bloks STRUXX AD060008 Hovercraft playbook, 2008.

Mega Bloks STRUXX 6001 Robotrix playbook, 2008.

Mega Bloks STRUXX 6015 Basixx 20x playbook, 2008.

Mega Bloks STRUXX AD060155 Dragster playbook, 2008.

Mega Bloks STRUXX AD060152 Chopper playbook, 2008.

Mega Bloks STRUXX AD060153 Tractor playbook, 2008.

Mega Bloks STRUXX AD060154 Scorpion playbook, 2008.

Mega Bloks STRUXX 6016 Basixx Tube Trixx playbook, 2008.

Mega Bloks STRUXX 6019 Skinzz playbook, 2009.

Mega Bloks World of Warcraft 91008 playbook, 2012.

Mega Bloks World of Warcraft 91016 playbook, 2012.

Mega Bloks World of Warcraft 91045 playbook, 2012.

Mega Bloks World of Warcraft 91046 playbook, 2012.

* cited by examiner

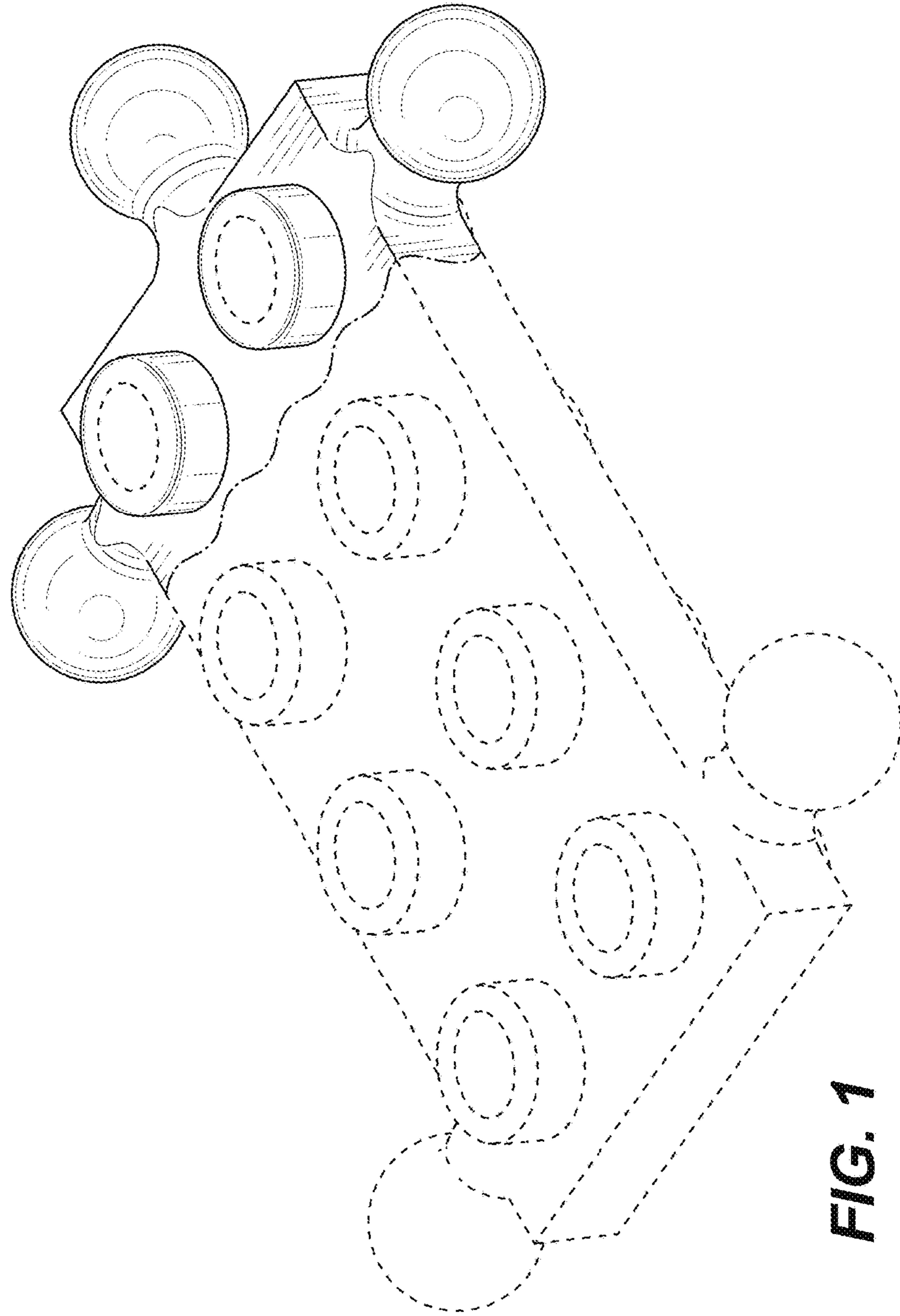


FIG. 1

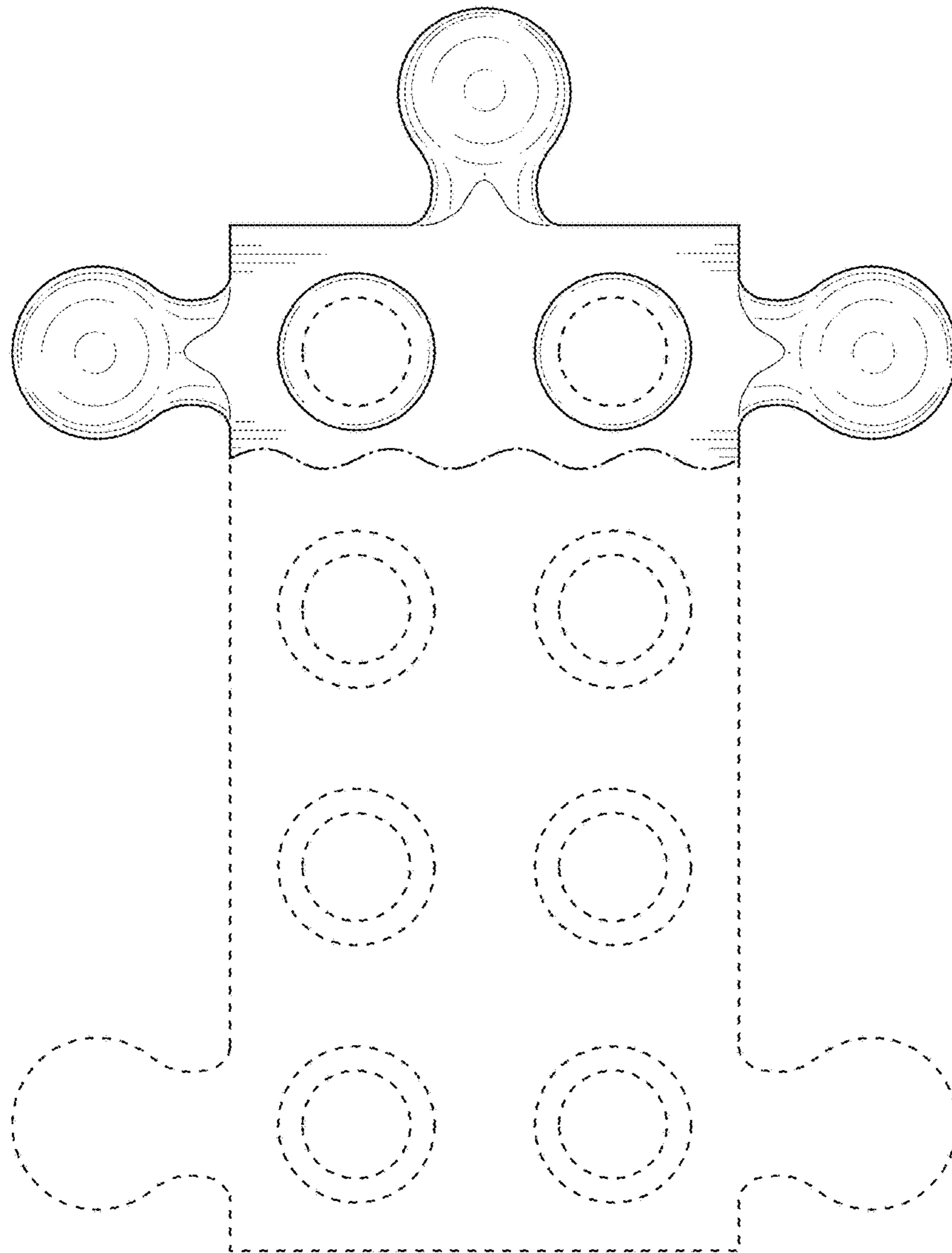


FIG. 2

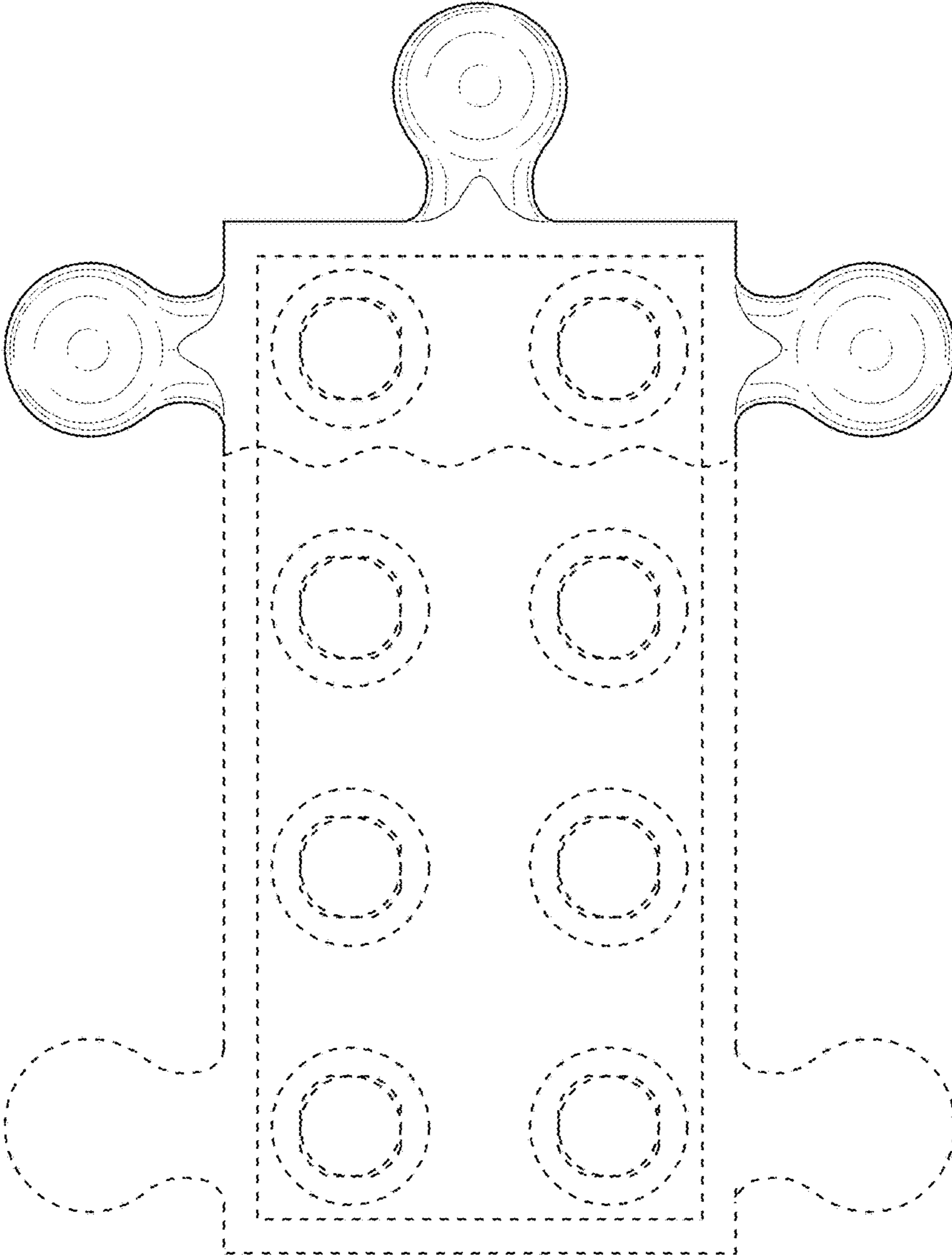


FIG. 3

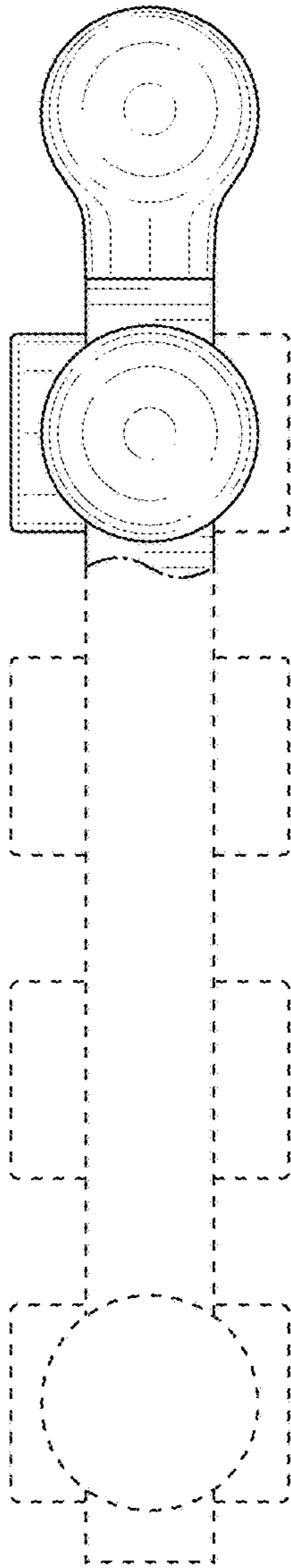


FIG. 4

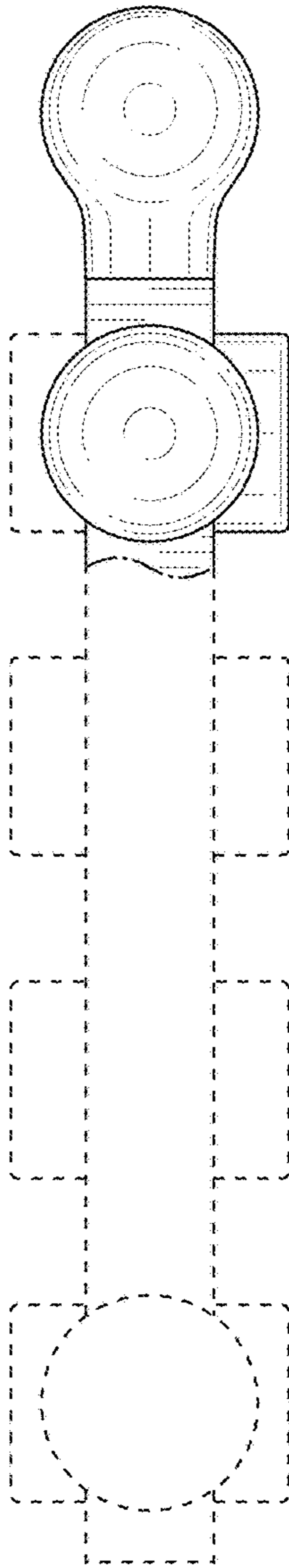


FIG. 5

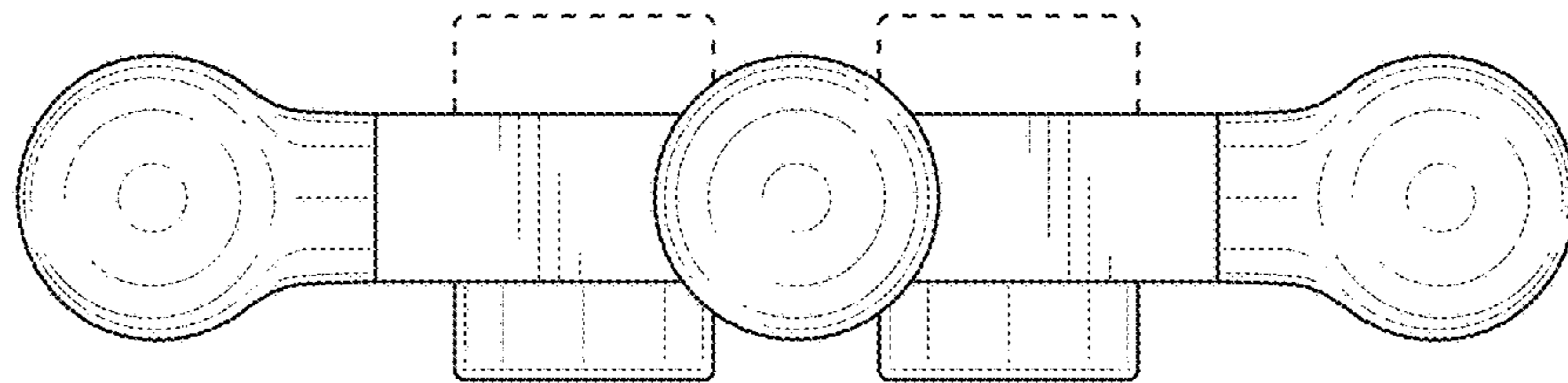


FIG. 6

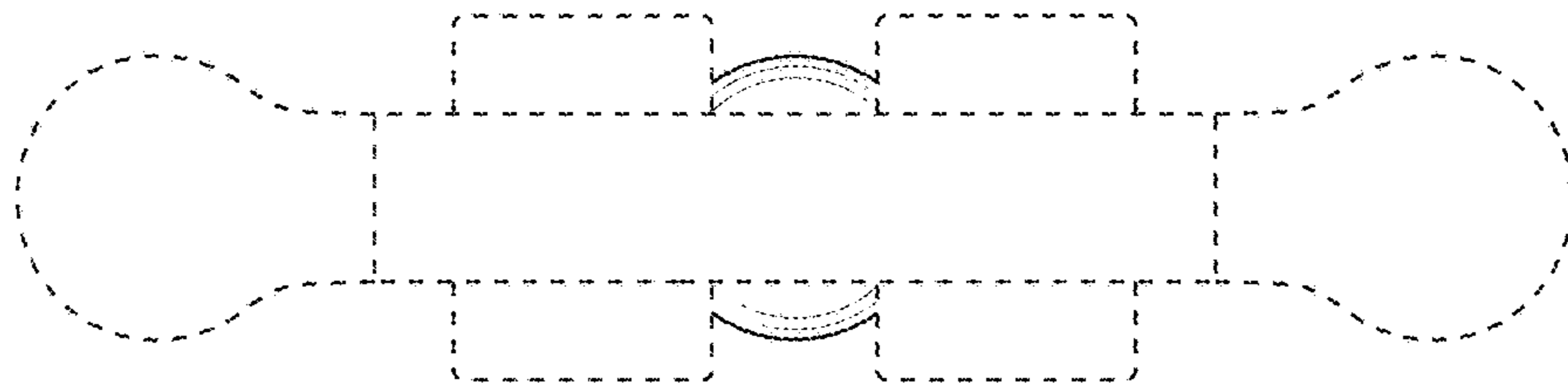


FIG. 7

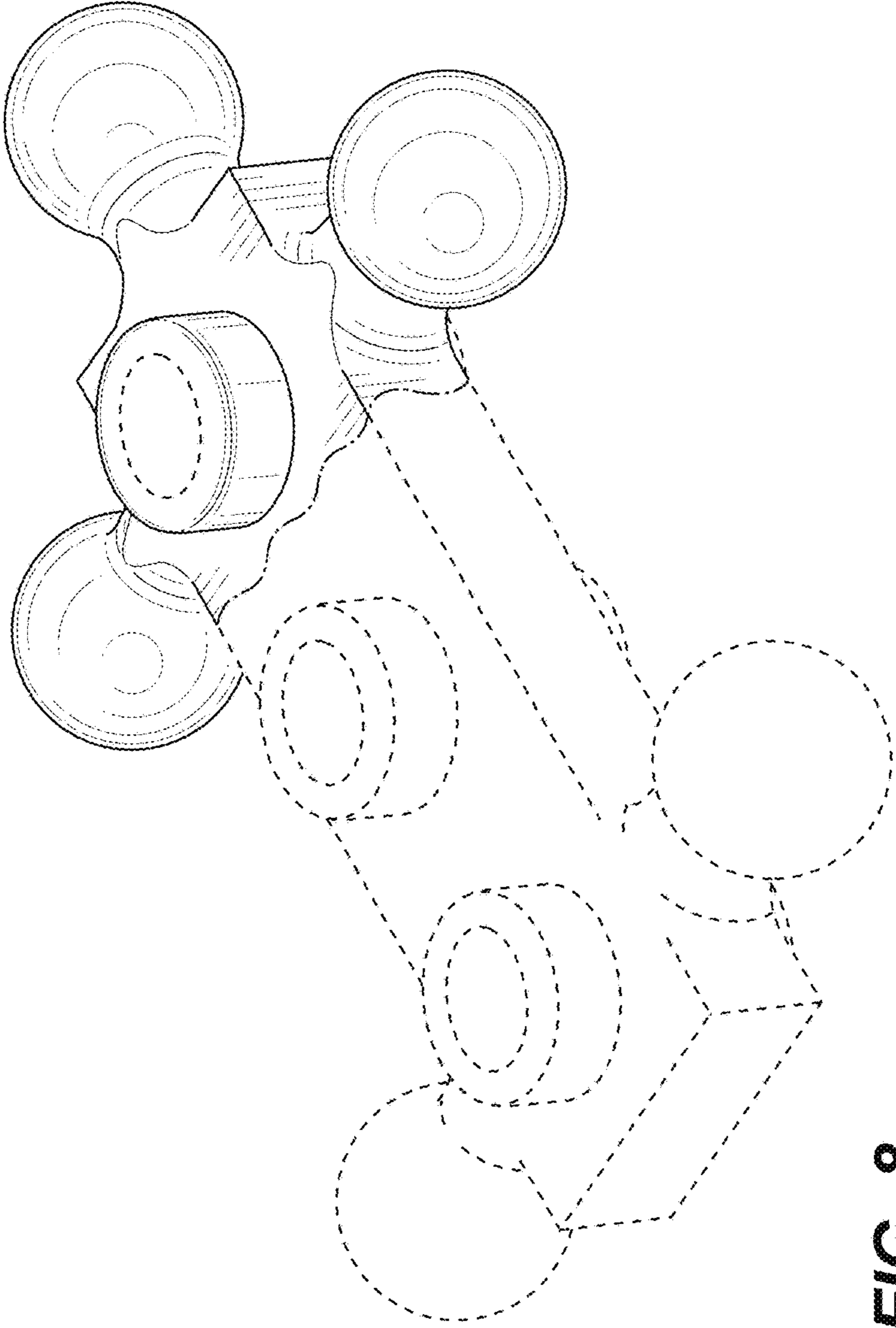


FIG. 8

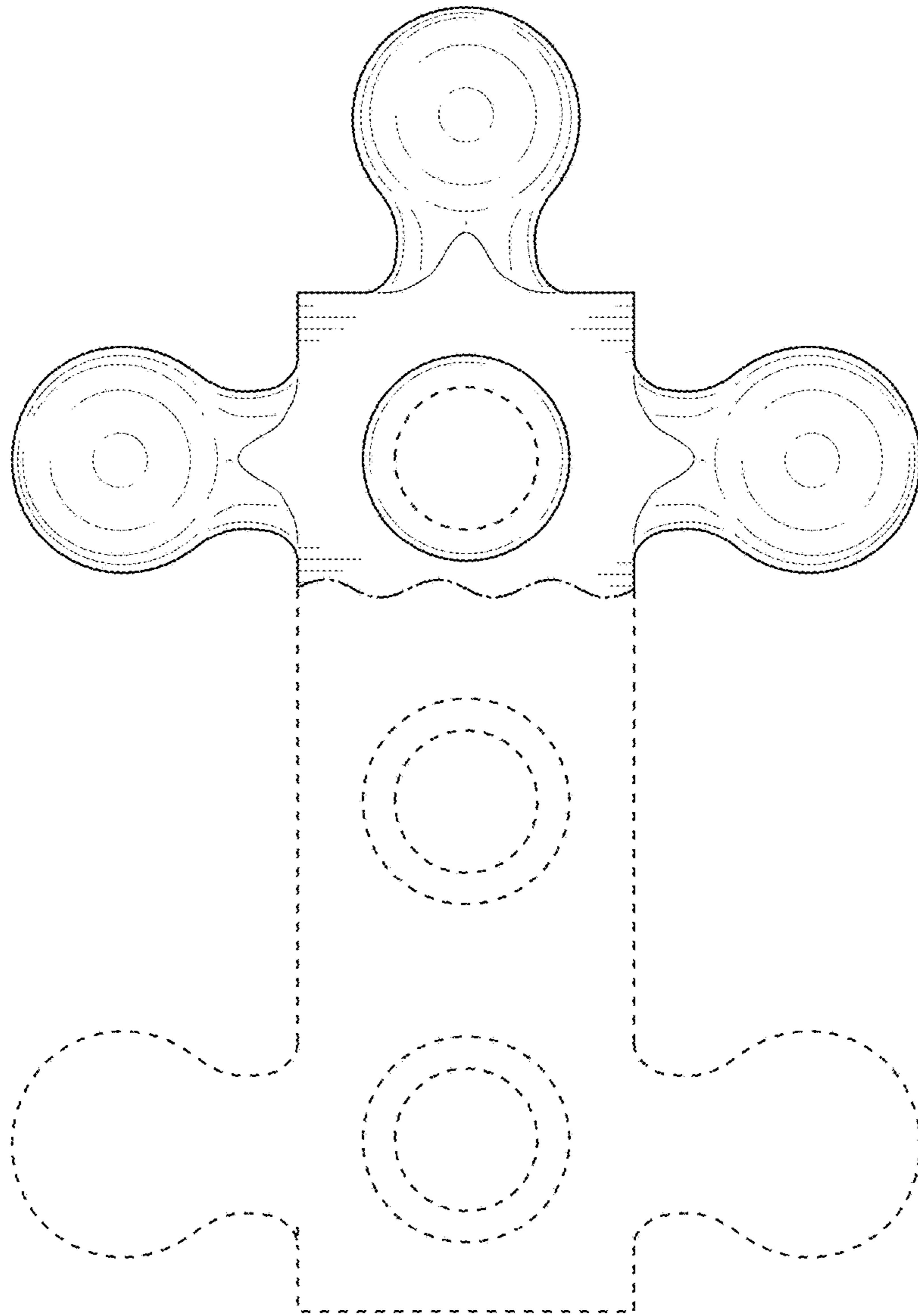


FIG. 9

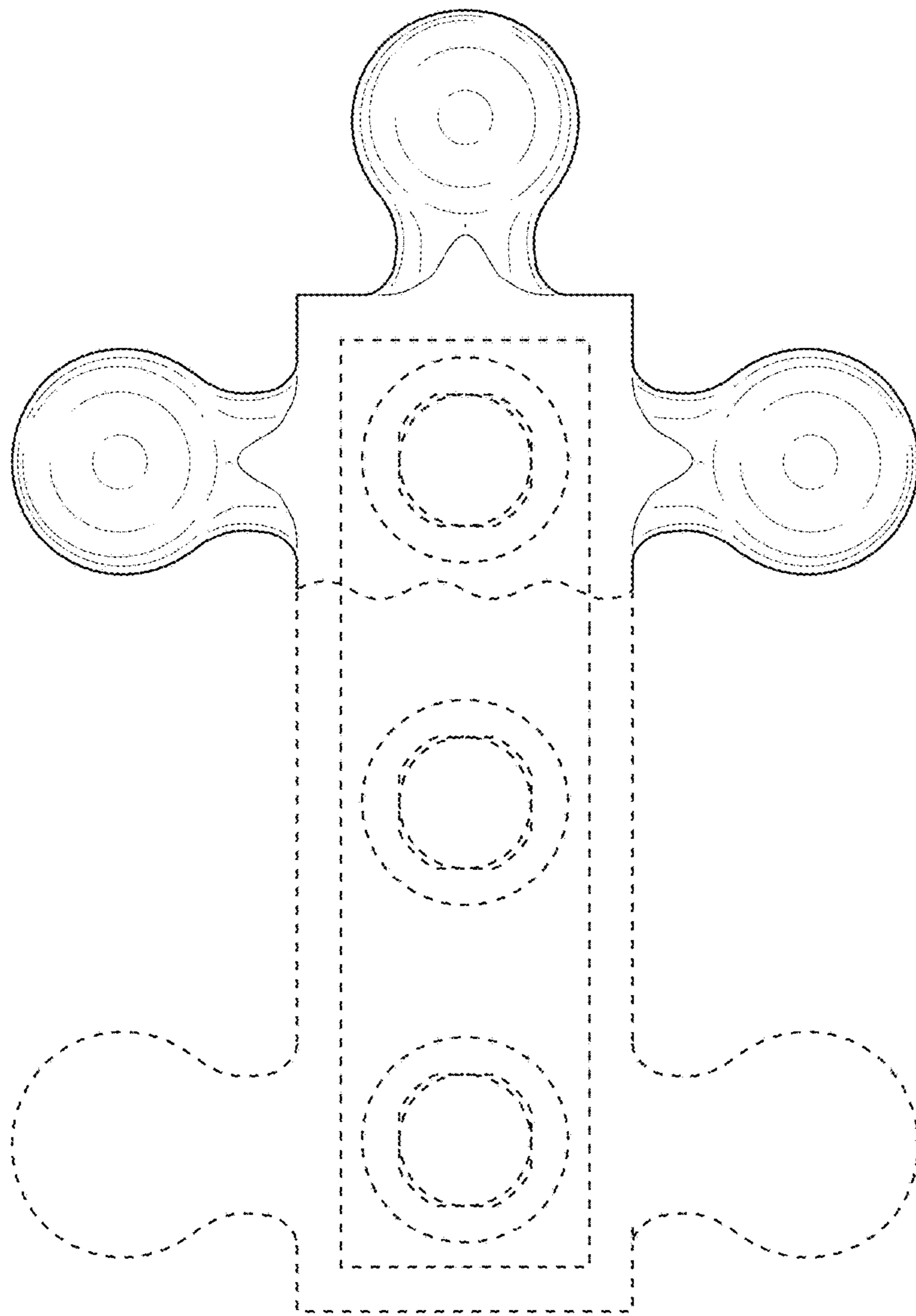


FIG. 10

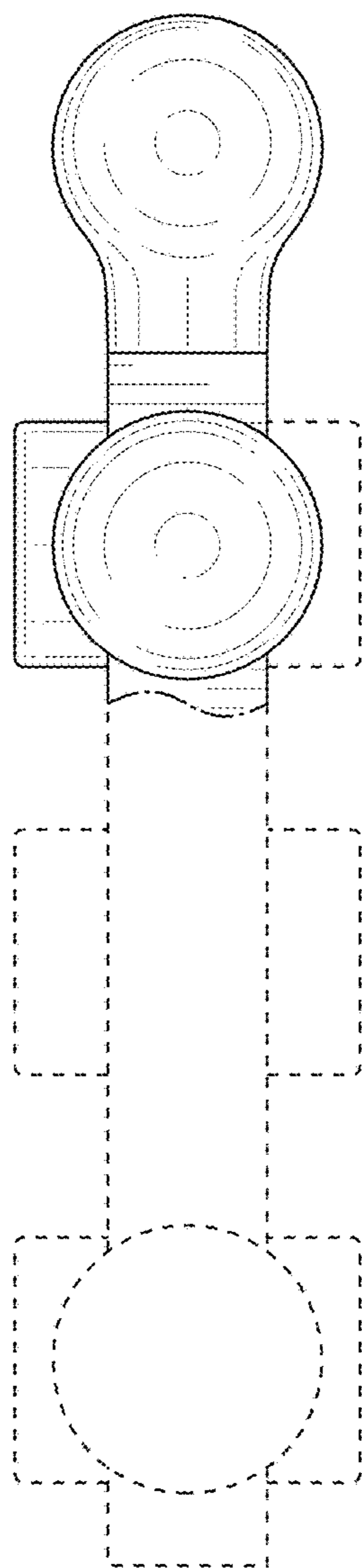


FIG. 11

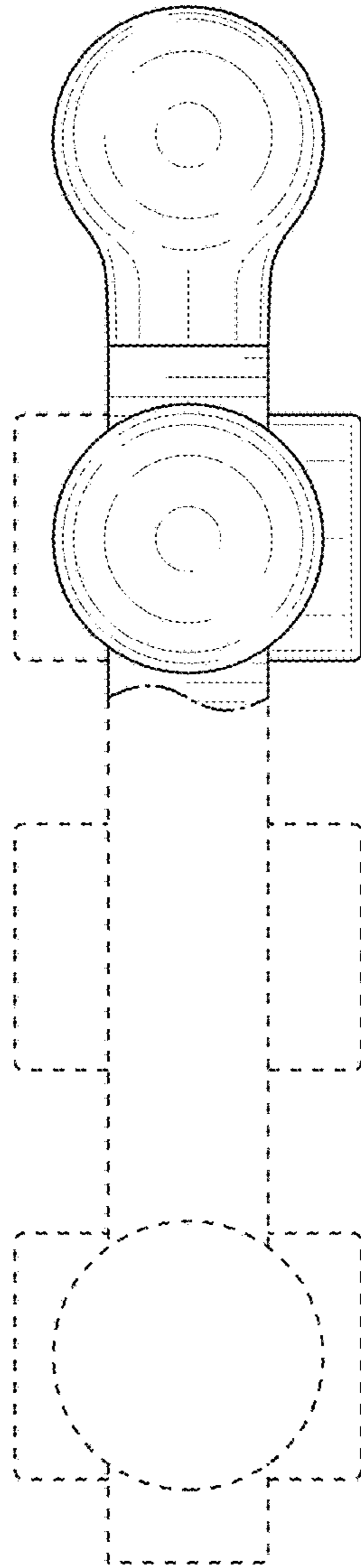


FIG. 12

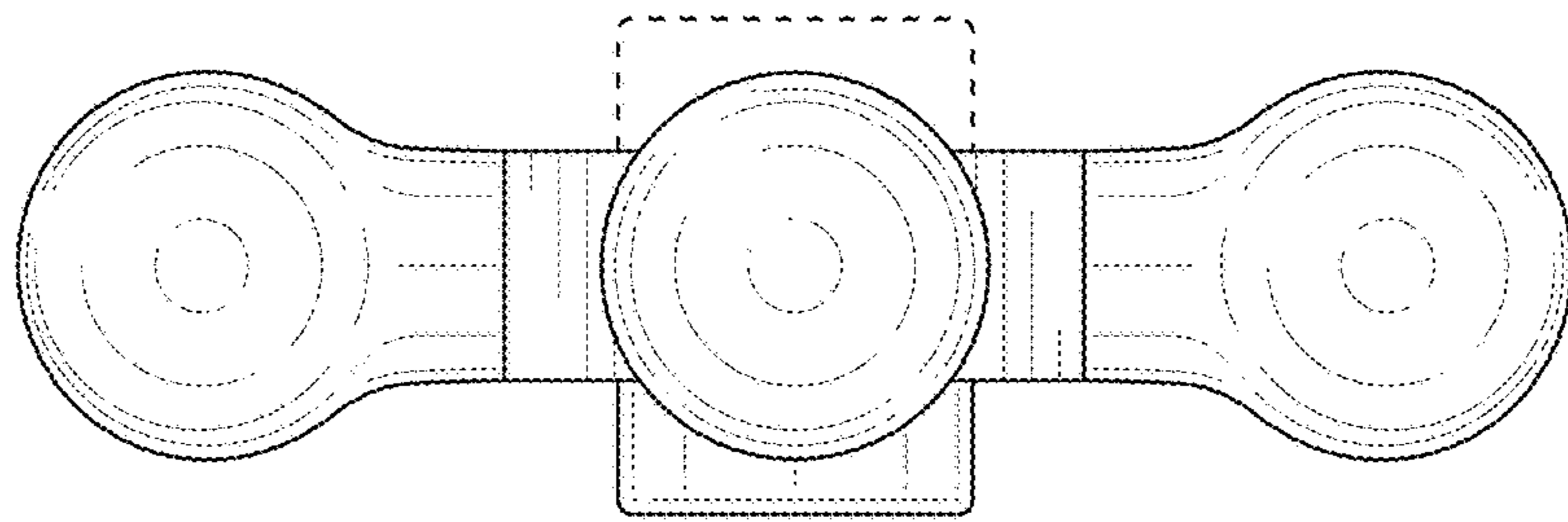


FIG. 13

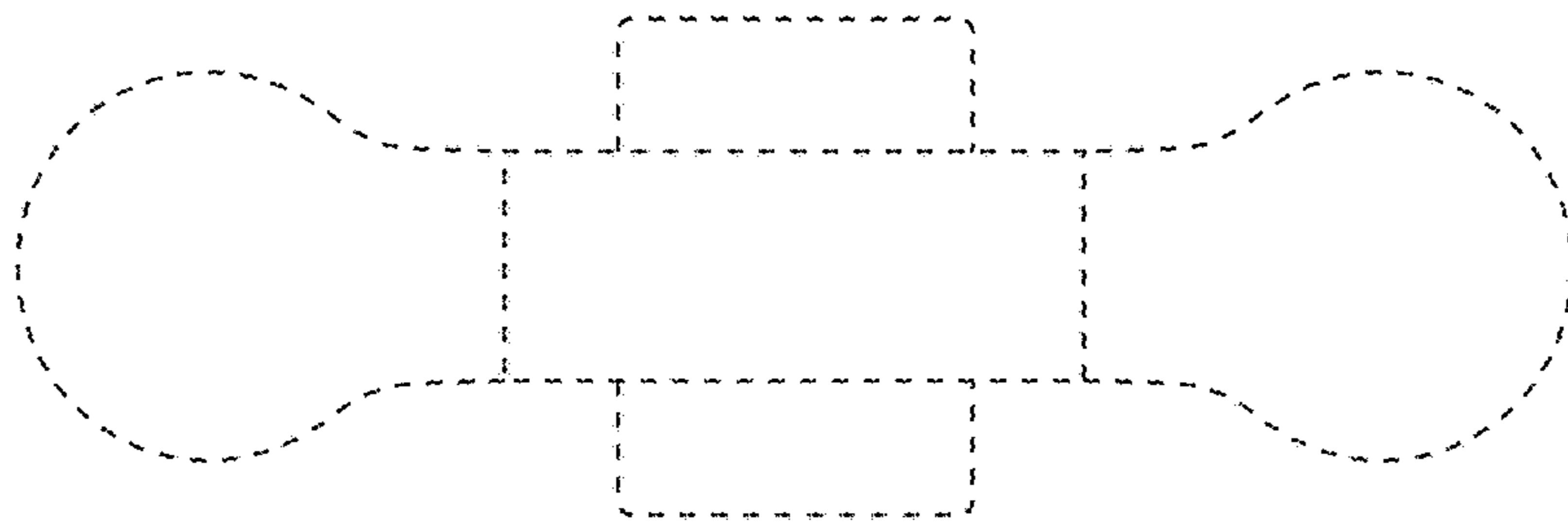


FIG. 14