



US00D857110S

(12) **United States Design Patent**
McCloskey et al.

(10) **Patent No.:** **US D857,110 S**

(45) **Date of Patent:** **** Aug. 20, 2019**

- (54) **TEXTURED MOLD**
- (71) Applicant: **Relevant Play, LLC**, Denver, CO (US)
- (72) Inventors: **David McCloskey**, Erie, CO (US);
Johnny Eisert, Loveland, CO (US)
- (73) Assignee: **Relevant Play, LLC**, Denver, CO (US)
- (**) Term: **15 Years**
- (21) Appl. No.: **29/637,496**
- (22) Filed: **Feb. 19, 2018**
- (51) **LOC (12) Cl.** **21-01**
- (52) **U.S. Cl.**
USPC **D21/470**
- (58) **Field of Classification Search**
USPC D15/135-136; D21/532, 528, 525, 493,
D21/470-472, 468; D7/412, 414;
D99/27; D9/414, 430-433
CPC B44C 1/00; B44C 1/04; A47J 43/14; B44F
11/00; B28B 3/24; A63H 33/22
See application file for complete search history.

(56) **References Cited**

U.S. PATENT DOCUMENTS

- 1,774,781 A * 9/1930 Witten B05D 1/20
118/429
- 4,605,231 A * 8/1986 Richman A63F 9/0613
273/155
- 4,795,453 A * 1/1989 Wolfe A61F 13/53713
604/385.101
- 4,900,319 A * 2/1990 Richwine A61F 13/47245
604/385.04
- 5,534,352 A * 7/1996 Pittman A47B 96/206
118/72
- D440,308 S * 4/2001 Ibrahim D24/125
- D468,426 S * 1/2003 Edens D24/124
- D480,182 S * 9/2003 McAnally D11/96
- D495,377 S * 8/2004 Jarvis D21/468
- D508,580 S * 8/2005 Norris D11/121
- D527,625 S * 9/2006 Beutler D9/414
- D561,895 S * 2/2008 Sergeant D24/124

- 7,339,740 B2 * 3/2008 Winkelhorn A63H 33/22
283/72
 - 9,327,217 B2 * 5/2016 Ebrahimi Warkiani
B01D 67/0034
 - D765,978 S * 9/2016 Widner D3/314
 - D770,274 S * 11/2016 Sater D9/431
- (Continued)

FOREIGN PATENT DOCUMENTS

CN 302035451 * 8/2012

OTHER PUBLICATIONS

AmazonSmile: Youdepot Yellow Building Brick Silicone Ice Tray, oldest review 2017, https://smile.amazon.com/Youdepot-Building-Multi-size-Minifigure-Silicone/dp/B01LZRWB9A/ref=cm_cr_arp_d_product_top?ie=UTF8, site visited Nov. 12, 2018.*

(Continued)

Primary Examiner — John Windmuller
Assistant Examiner — John R Yeh
(74) *Attorney, Agent, or Firm* — Lathrop Gage LLP

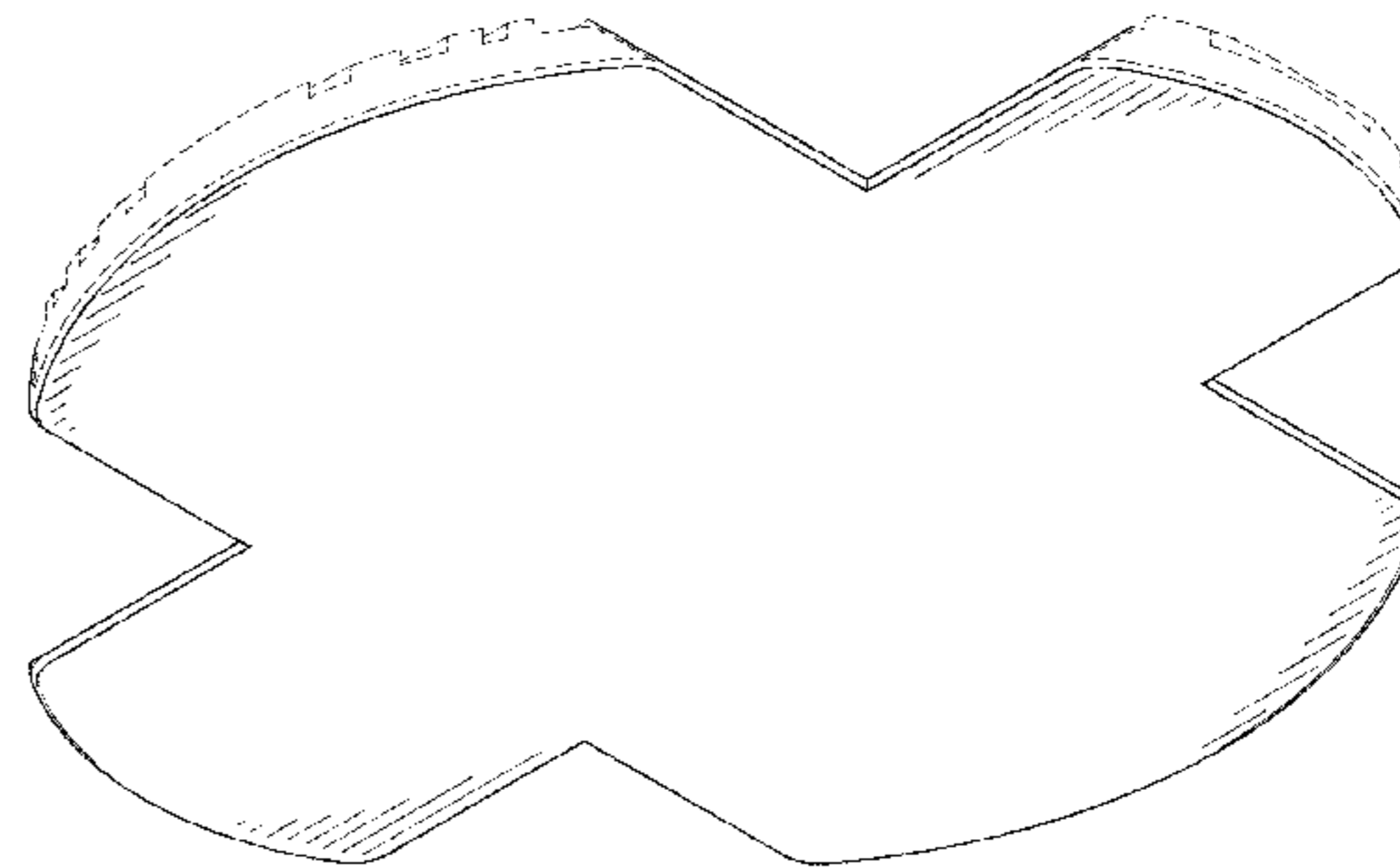
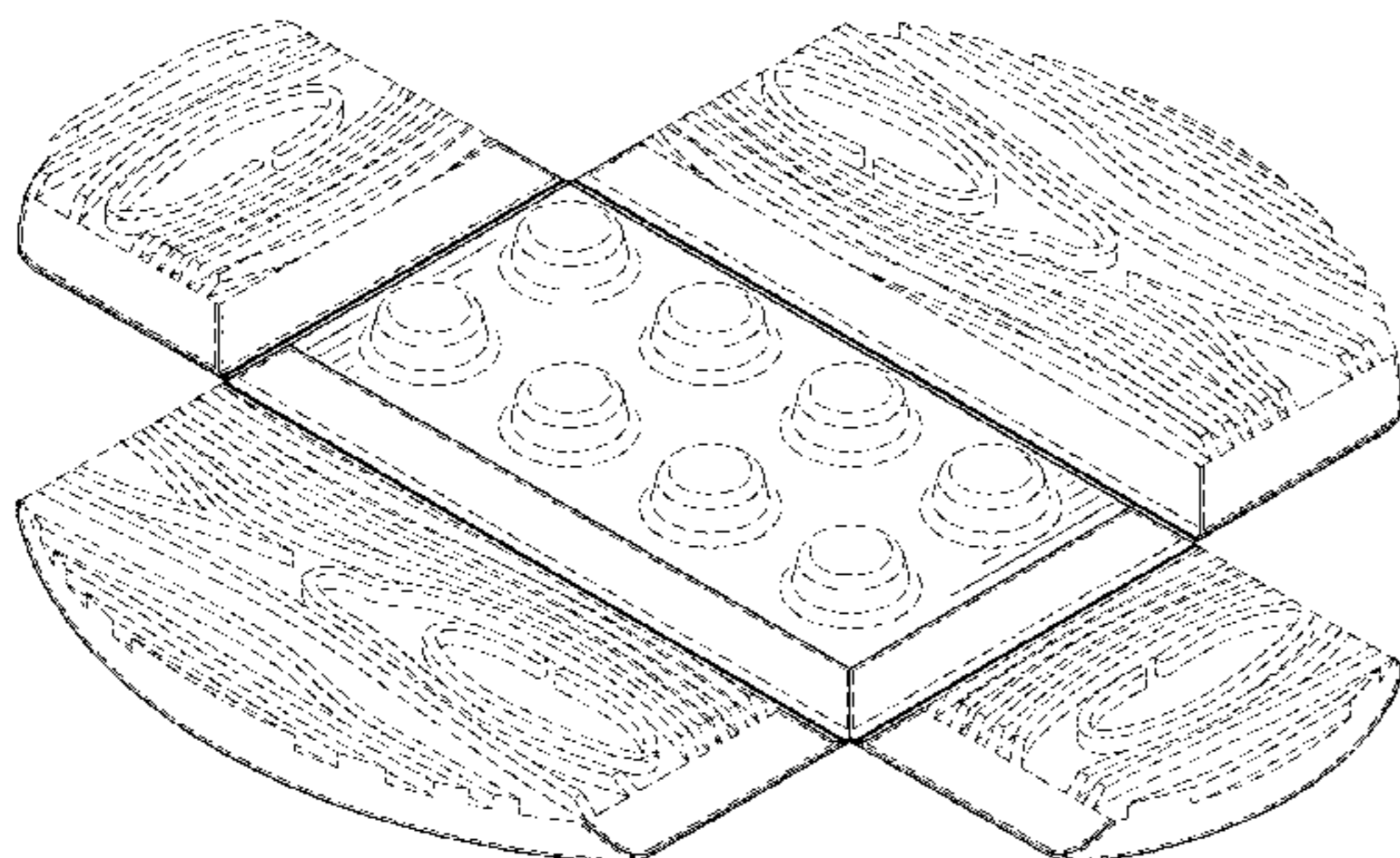
(57) **CLAIM**

The ornamental design for a textured mold, as shown and described.

DESCRIPTION

FIG. 1 is a top-front perspective view of a textured mold showing the new design;
FIG. 2 is a bottom-front perspective view thereof;
FIG. 3 is a top front perspective view of the mold in a folded-up position;
FIG. 4 is a top plan view thereof;
FIG. 5 is a front elevation view thereof;
FIG. 6 is a bottom plan view thereof; and,
FIG. 7 is a left side elevation view thereof.
The broken lines in FIGS. 1-7 represent portions of the textured mold that form no part of the claimed design.

1 Claim, 4 Drawing Sheets



(56)

References Cited

U.S. PATENT DOCUMENTS

D772,703 S * 11/2016 Choi D9/433
D786,062 S * 5/2017 Ogdon D9/432
D793,229 S * 8/2017 Meneaud D9/433
D802,829 S * 11/2017 Reynolds D26/118
D810,205 S * 2/2018 Jung D21/472
D810,840 S * 2/2018 Wanders D21/588
D826,469 S * 8/2018 Reynolds D26/118
2002/0165512 A1 * 11/2002 Drevik A61F 13/4702
604/380
2017/0313334 A1 * 11/2017 Ryan B62B 3/02

OTHER PUBLICATIONS

How to make play doh bricks, video date 2014, <https://www.youtube.com/watch?v=9mffmHFgyfY>, site visited Nov. 12, 2018.*

How to make Jello Lego bricks, video date 2016, https://www.youtube.com/watch?v=J_mLrxzW19o, site visited Nov. 12, 2018.*

* cited by examiner

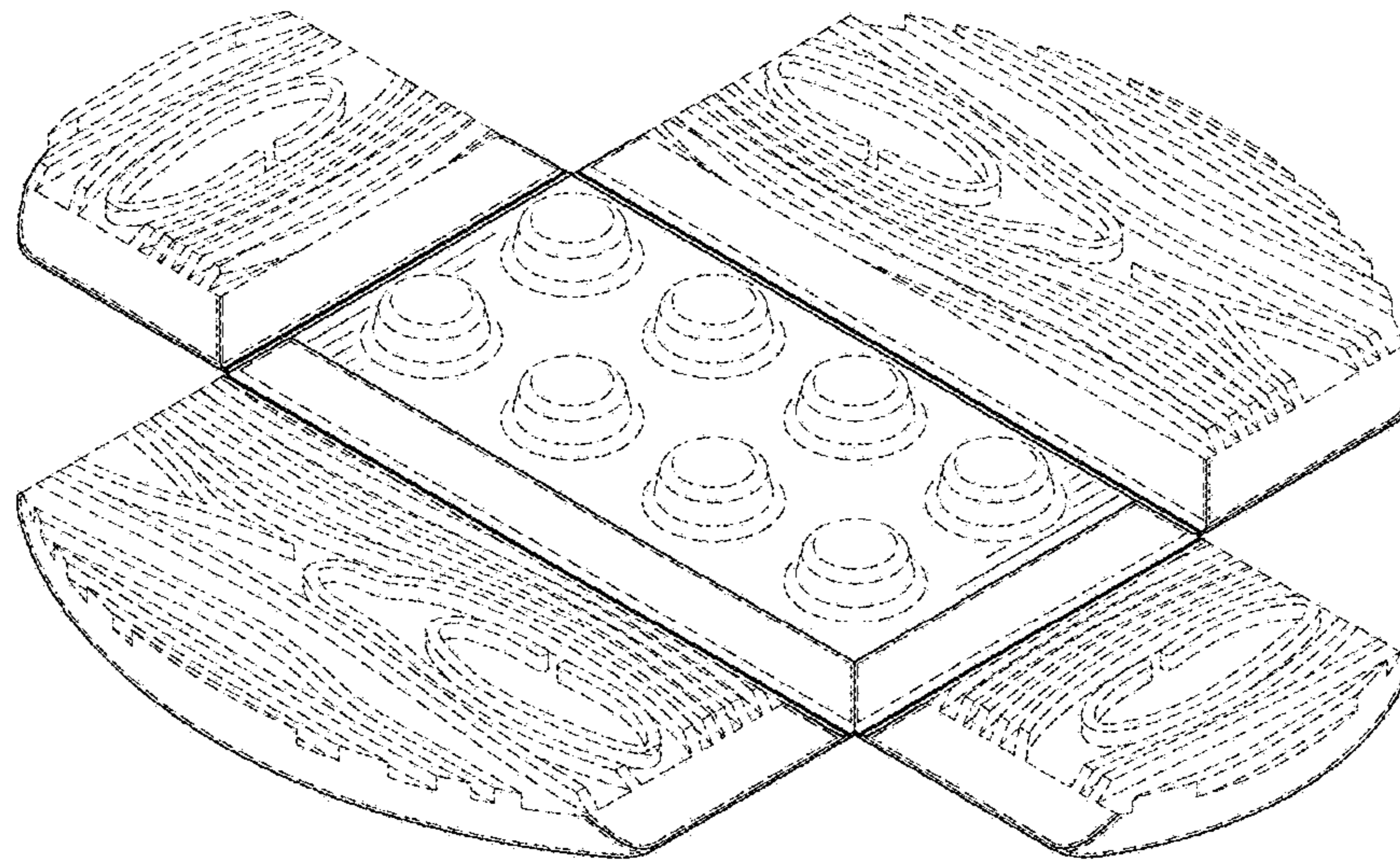


Fig. 1

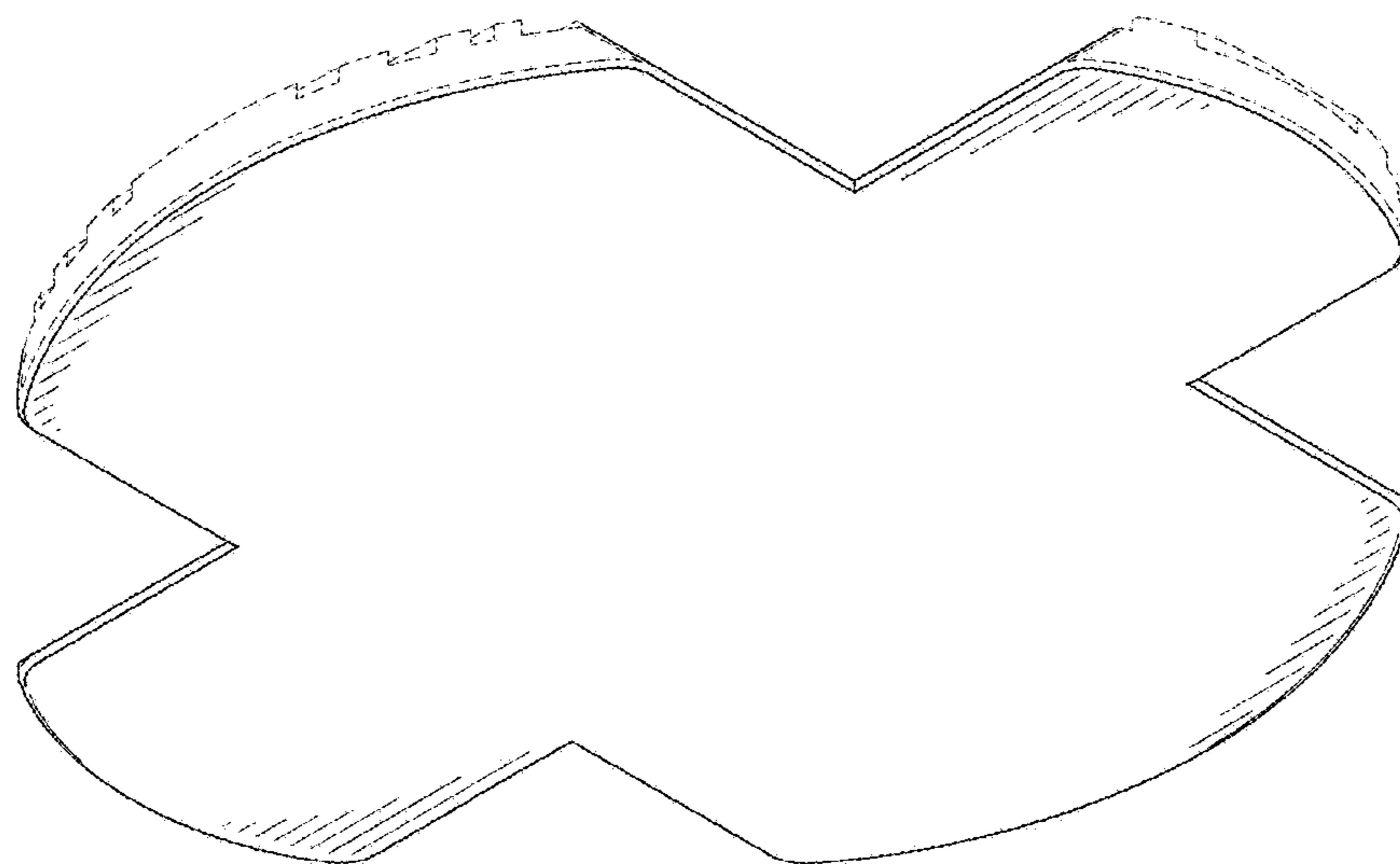


Fig. 2

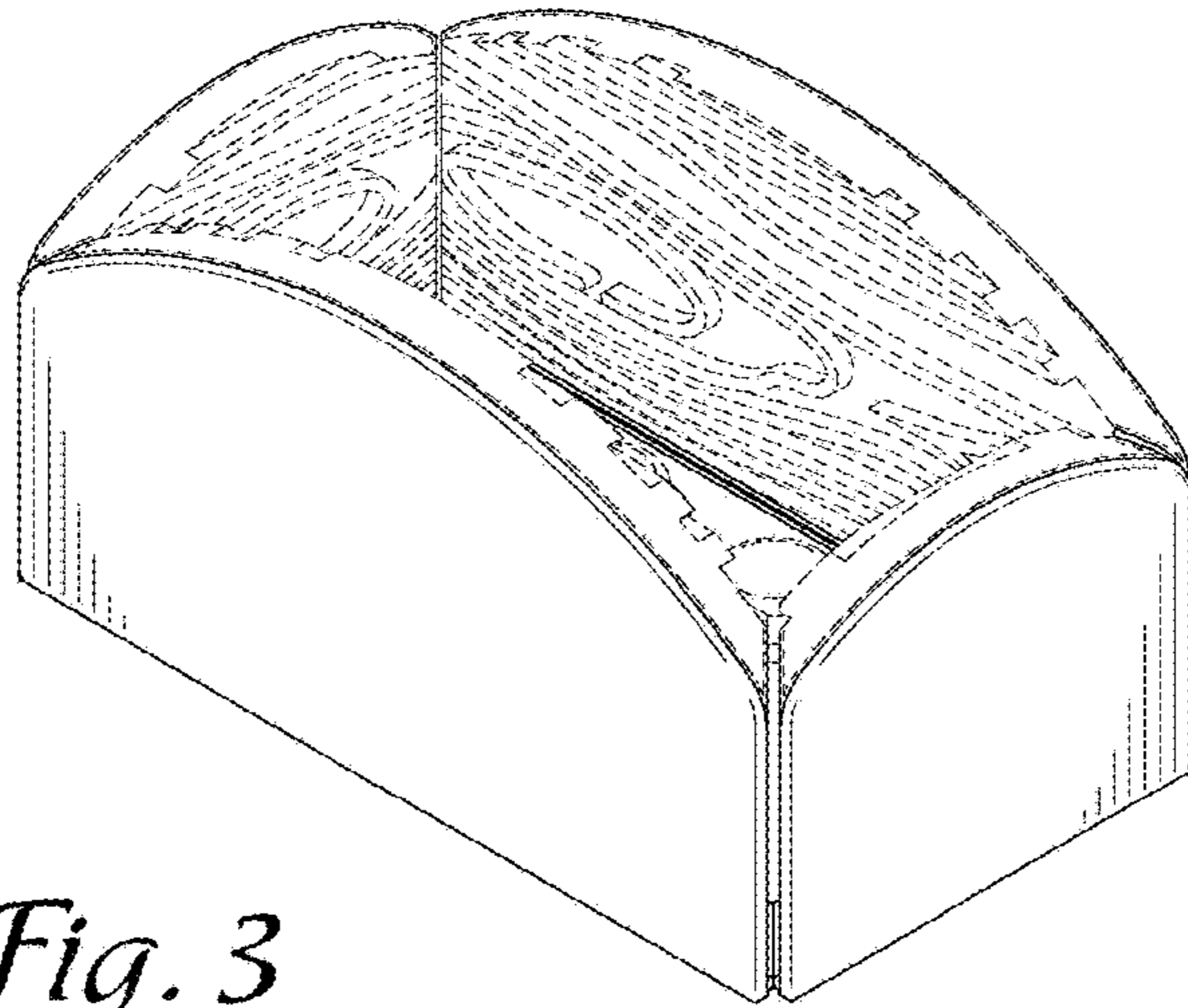


Fig. 3

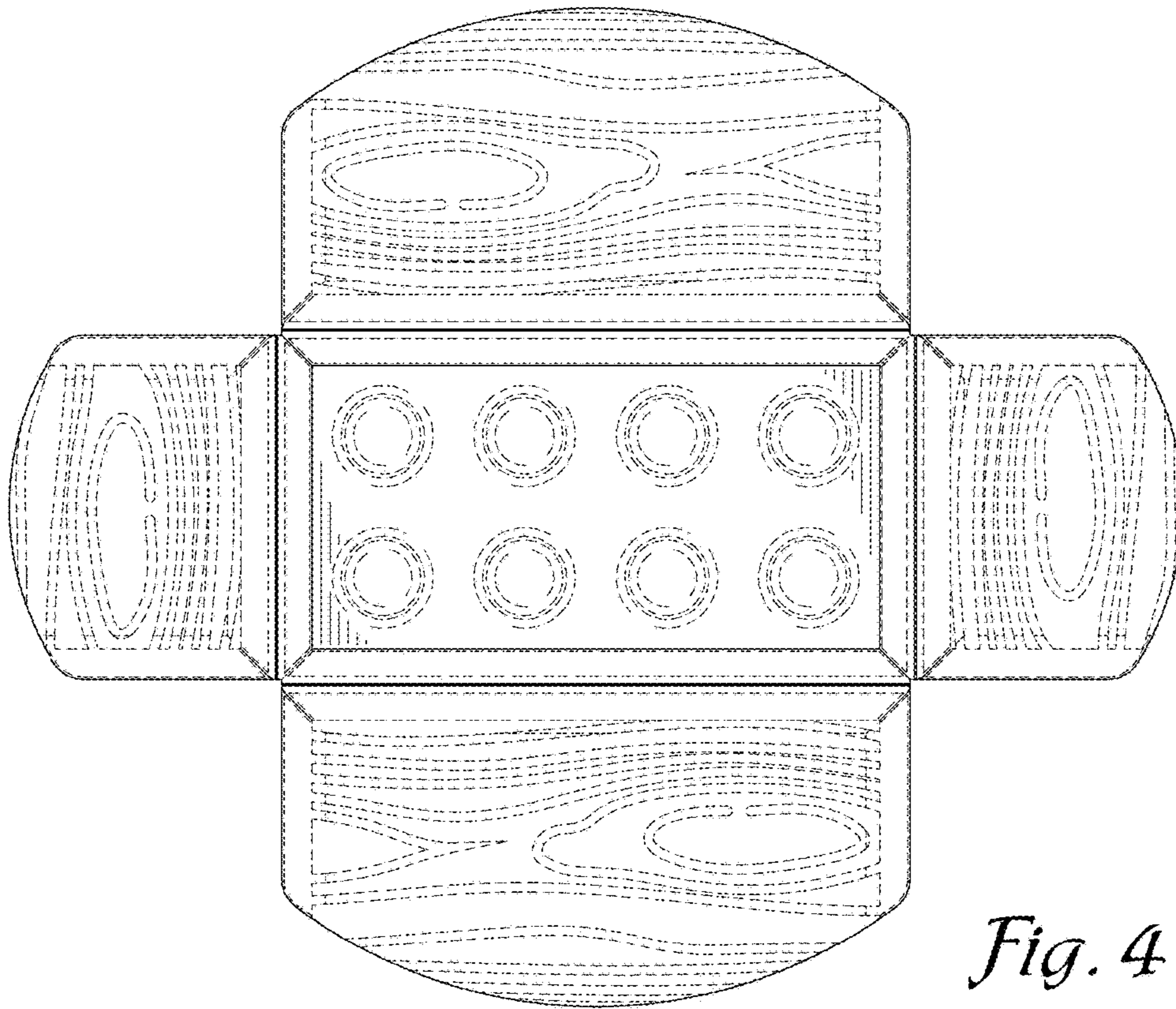


Fig. 4

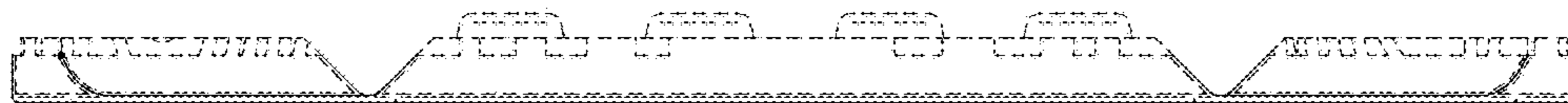


Fig. 5

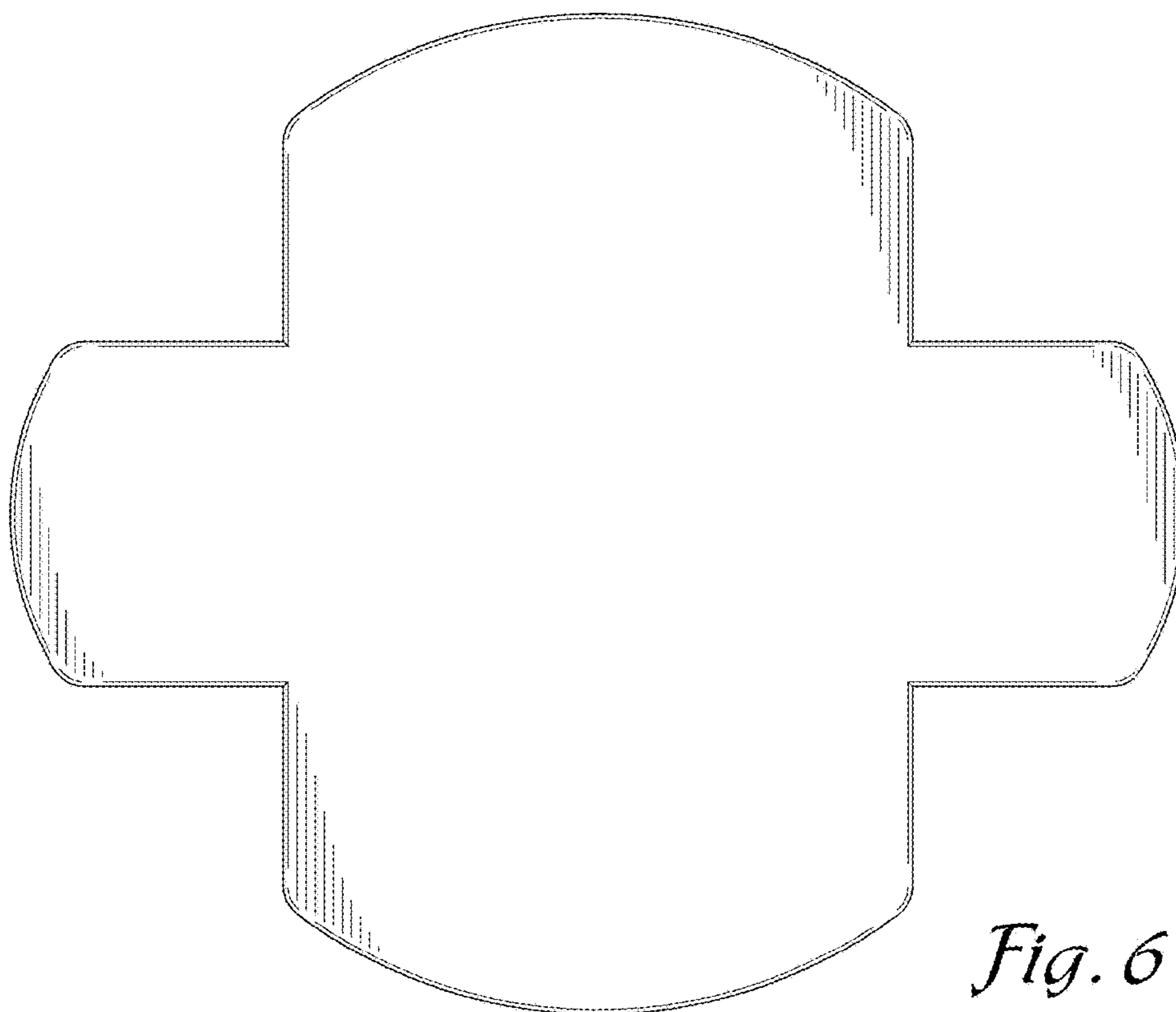


Fig. 6

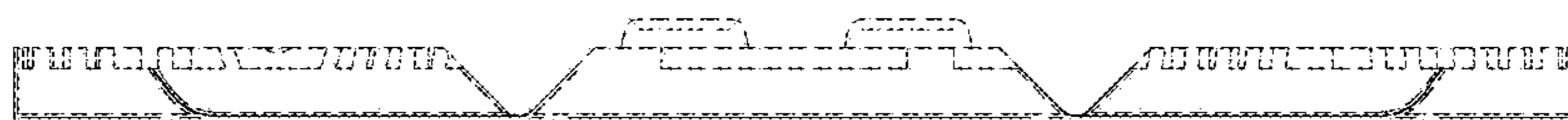


Fig. 7