



US00D857109S

(12) **United States Design Patent** (10) **Patent No.:** **US D857,109 S**  
**Muraki** (45) **Date of Patent:** **\*\* Aug. 20, 2019**

(54) **SPINNING TOP TOY**  
(71) Applicant: **TOMY COMPANY, LTD.**, Tokyo (JP)  
(72) Inventor: **Makoto Muraki**, Tokyo (JP)  
(73) Assignee: **TOMY COMPANY, LTD.**, Tokyo (JP)  
(\*\*) Term: **15 Years**  
(21) Appl. No.: **29/642,770**  
(22) Filed: **Apr. 2, 2018**

D835,724 S \* 12/2018 Muraki ..... D21/460  
D837,305 S \* 1/2019 Shindo ..... D21/460  
2003/0064660 A1\* 4/2003 Matsukawa ..... A63F 3/00895  
446/256

(30) **Foreign Application Priority Data**

Oct. 2, 2017 (JP) ..... 2017-021705

(51) **LOC (12) Cl.** ..... **21-01**  
(52) **U.S. Cl.**  
USPC ..... **D21/460**  
(58) **Field of Classification Search**  
USPC ..... D21/455-464; 446/236-266  
CPC ..... A63H 1/00-32  
See application file for complete search history.

**FOREIGN PATENT DOCUMENTS**

CN 3262744 \* 11/2002  
CN 3271036 \* 1/2003  
CN 300687773 \* 9/2007  
CN 302143915 \* 10/2012  
CN 313359339 \* 9/2015  
CN 303817129 \* 8/2016  
CN 303826964 \* 8/2016  
JP 3142474 U \* 6/2008 ..... A63H 1/02  
JP 6111365 B1 \* 4/2017 ..... A63H 1/02  
JP 6232112 B1 \* 11/2017 ..... A63H 1/04  
JP 6250202 B1 \* 12/2017 ..... A63H 1/00

\* cited by examiner

*Primary Examiner* — Catherine A Tuttle  
(74) *Attorney, Agent, or Firm* — Oliff PLC

(57) **CLAIM**

The ornamental design for a spinning top toy, as shown and described.

(56) **References Cited**

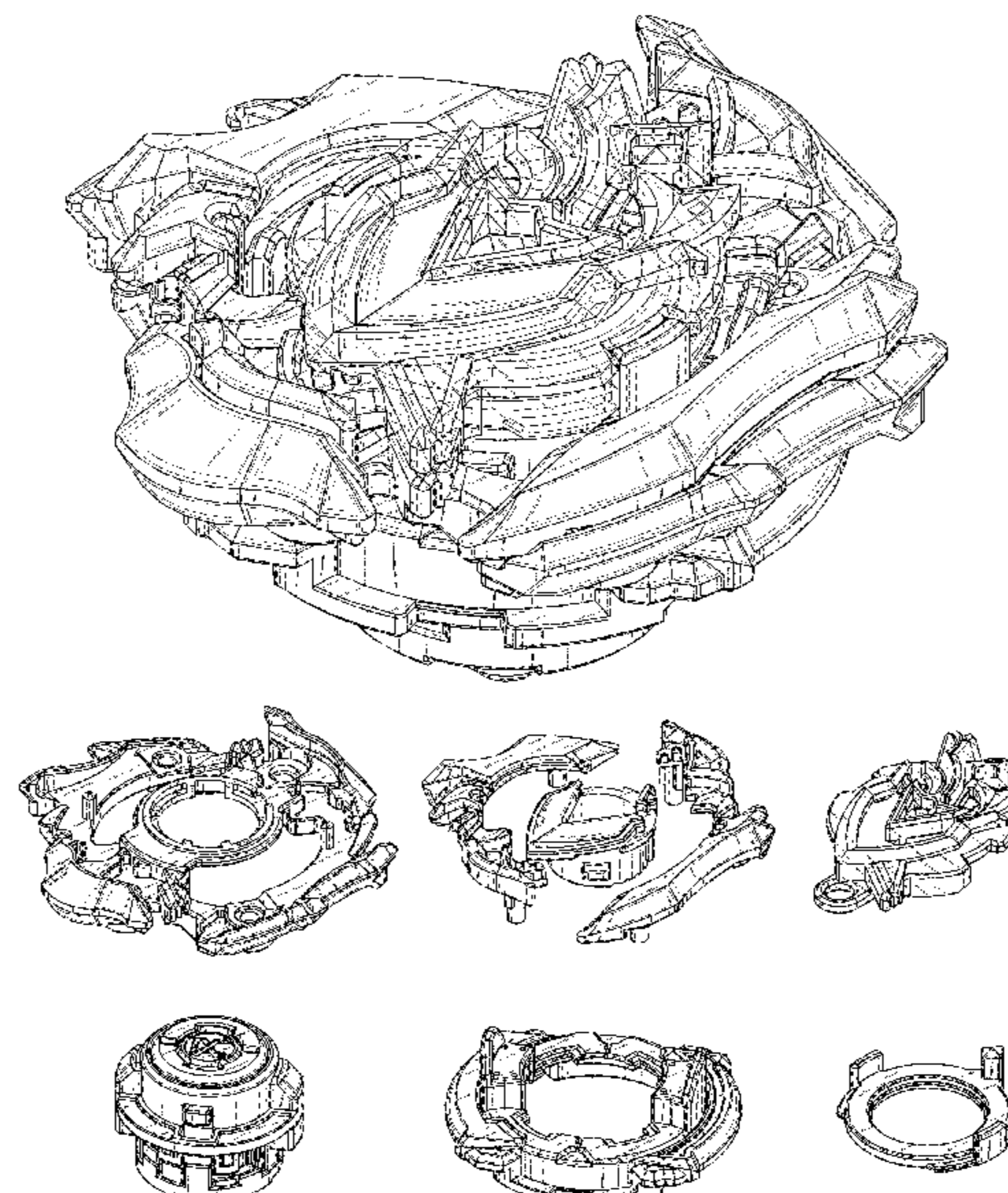
**U.S. PATENT DOCUMENTS**

6,746,300 B1 \* 6/2004 Matsukawa ..... A63H 1/06  
446/256  
D610,209 S \* 2/2010 Nishimoto ..... D21/460  
D629,847 S \* 12/2010 Ujita ..... D21/460  
D666,252 S \* 8/2012 Ujita ..... D21/460  
D666,253 S \* 8/2012 Ujita ..... D21/460  
9,597,604 B1 \* 3/2017 Horikoshi ..... A63H 1/02  
D825,670 S \* 8/2018 Muraki ..... D21/460  
D825,671 S \* 8/2018 Horikoshi ..... D21/460  
D825,673 S \* 8/2018 Matsukawa ..... D21/460  
D827,043 S \* 8/2018 Muraki ..... D21/460  
D827,044 S \* 8/2018 Horikoshi ..... D21/460  
D827,046 S \* 8/2018 Horikoshi ..... D21/460  
D834,103 S \* 11/2018 Horikoshi ..... D21/460  
D835,209 S \* 12/2018 Hashiba ..... D21/460

**DESCRIPTION**

FIG. 1 is a front elevational view of the spinning top toy;  
FIG. 2 is a left-side elevational view thereof;  
FIG. 3 is a rear elevational view thereof;  
FIG. 4 is a right-side elevational view thereof;  
FIG. 5 is a top plan view thereof;  
FIG. 6 is a bottom plan view thereof;  
FIG. 7 is a front, top, right-side perspective view thereof;  
FIG. 8 is a disassembled front, top, right-side perspective view thereof; and,  
FIG. 9 is a disassembled rear, bottom and left-side perspective view thereof.

**1 Claim, 9 Drawing Sheets**



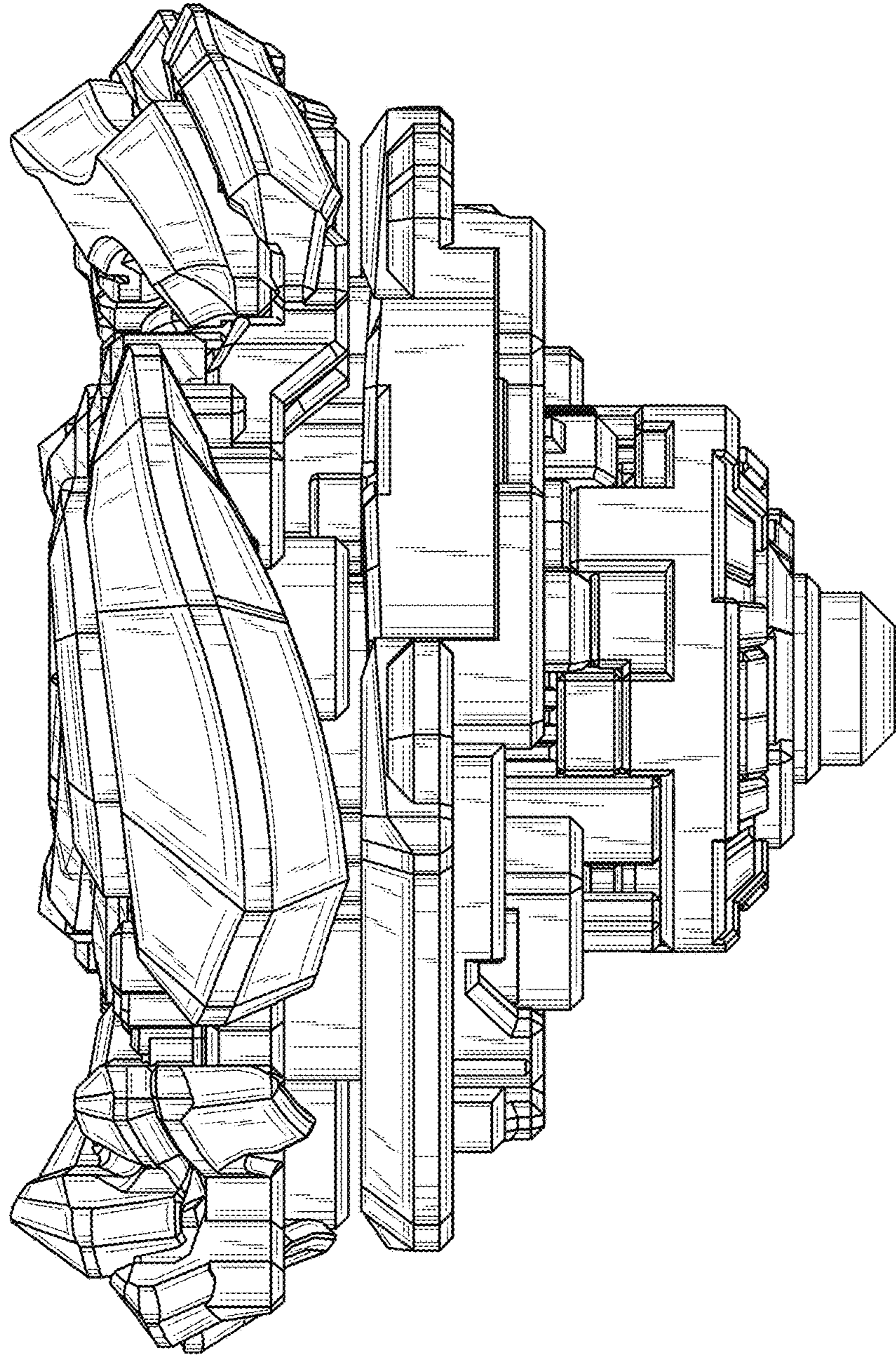


FIG. 1

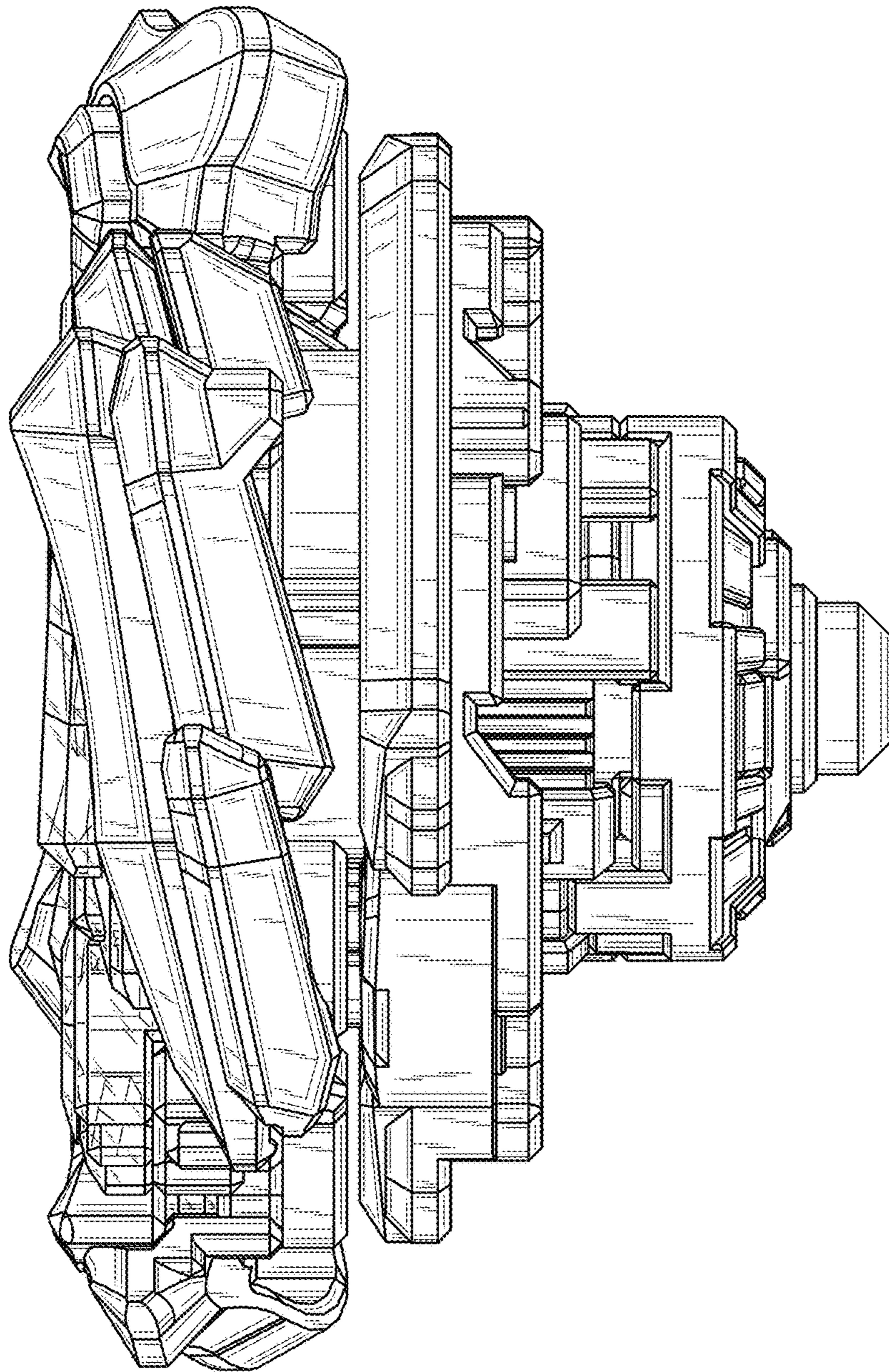
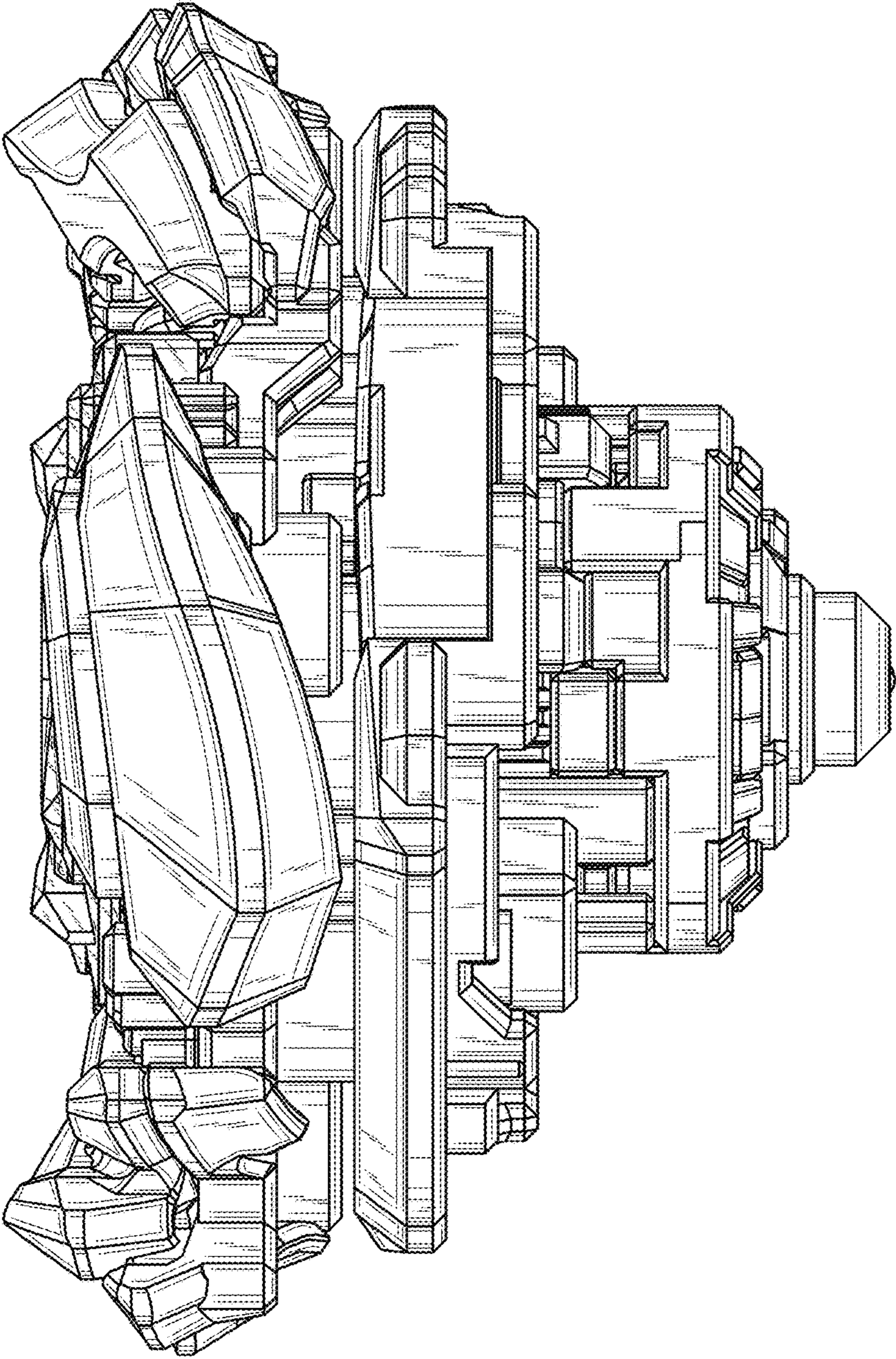


FIG. 2

FIG. 3



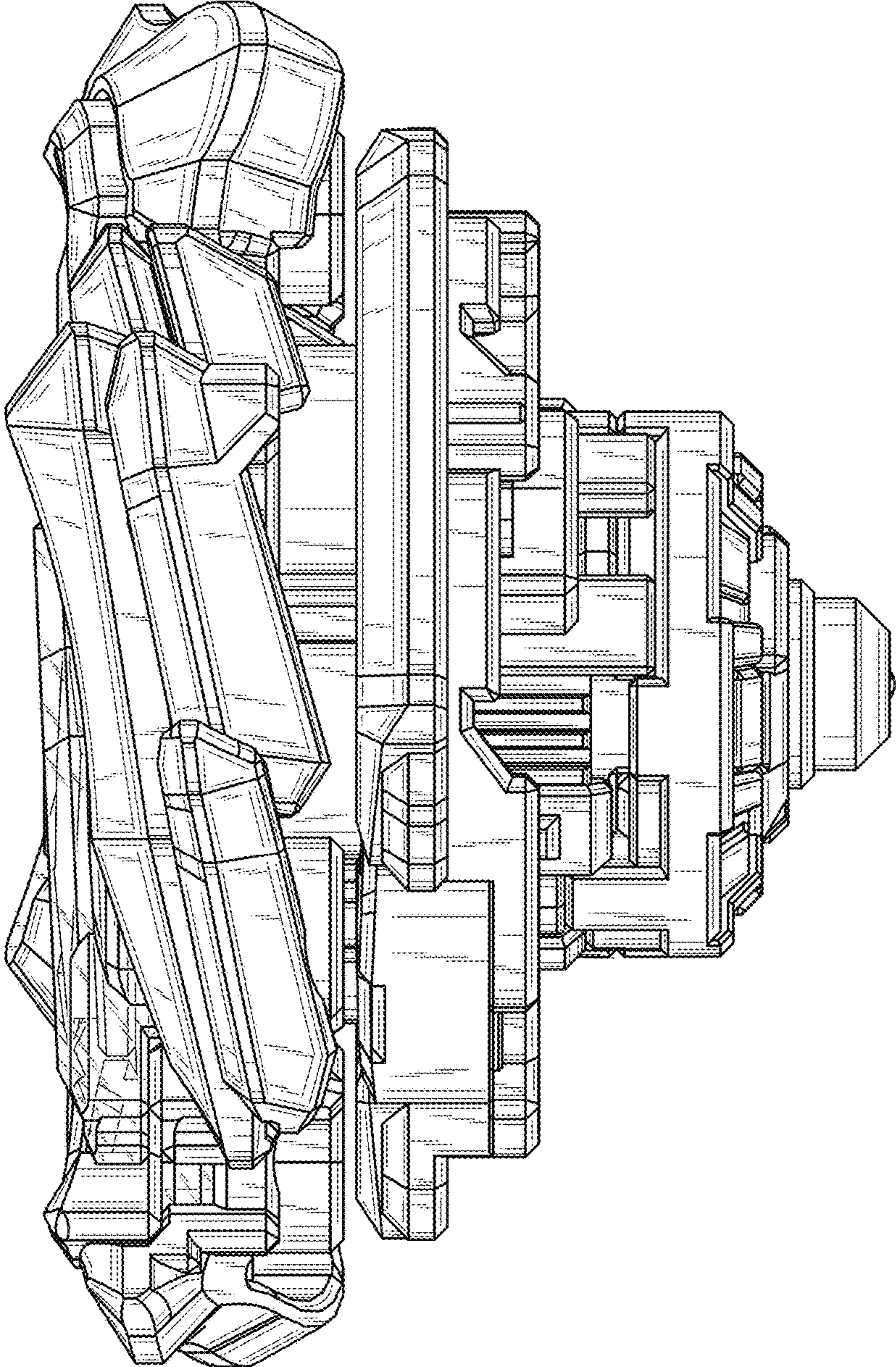


FIG. 4

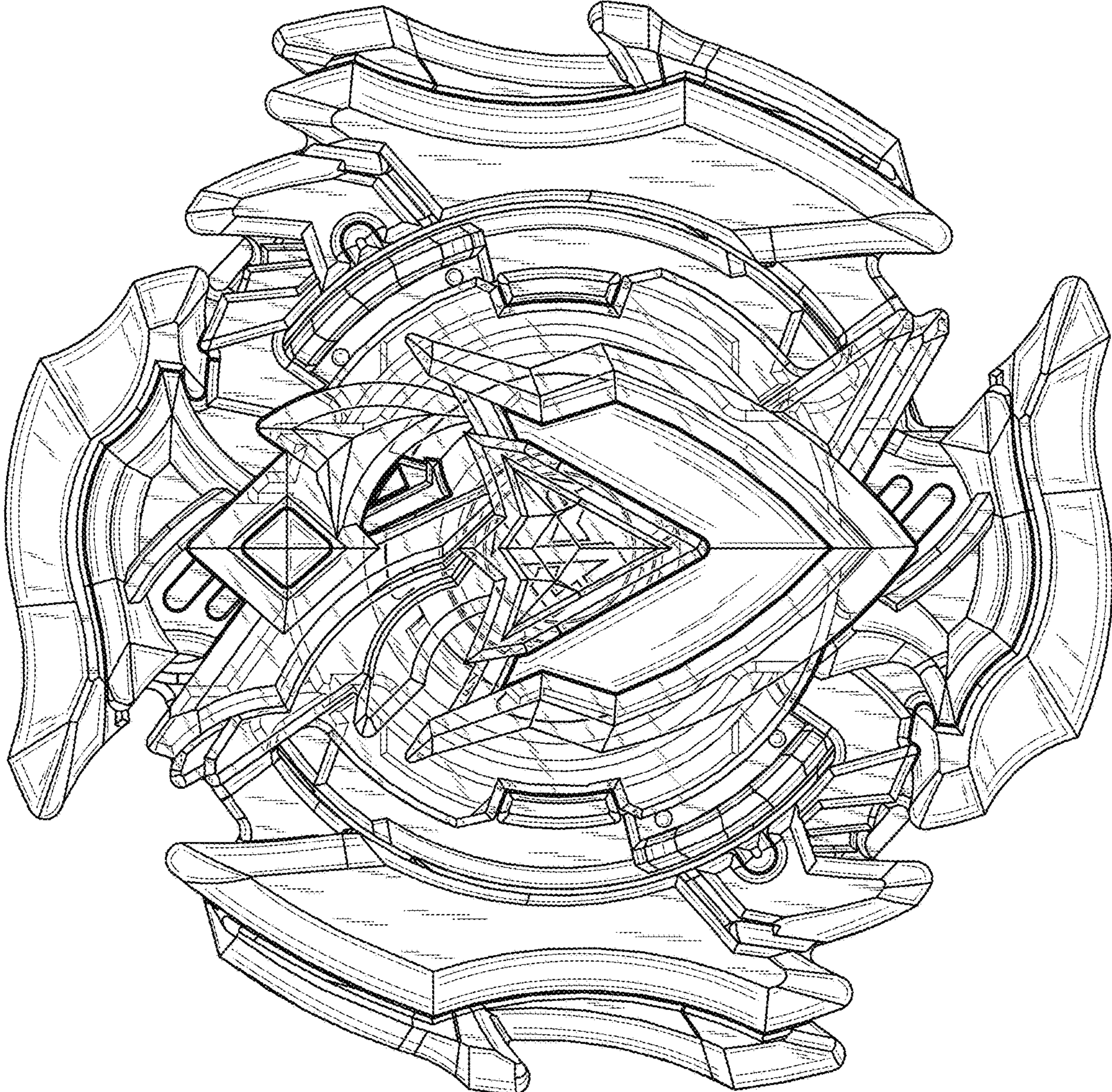


FIG. 5

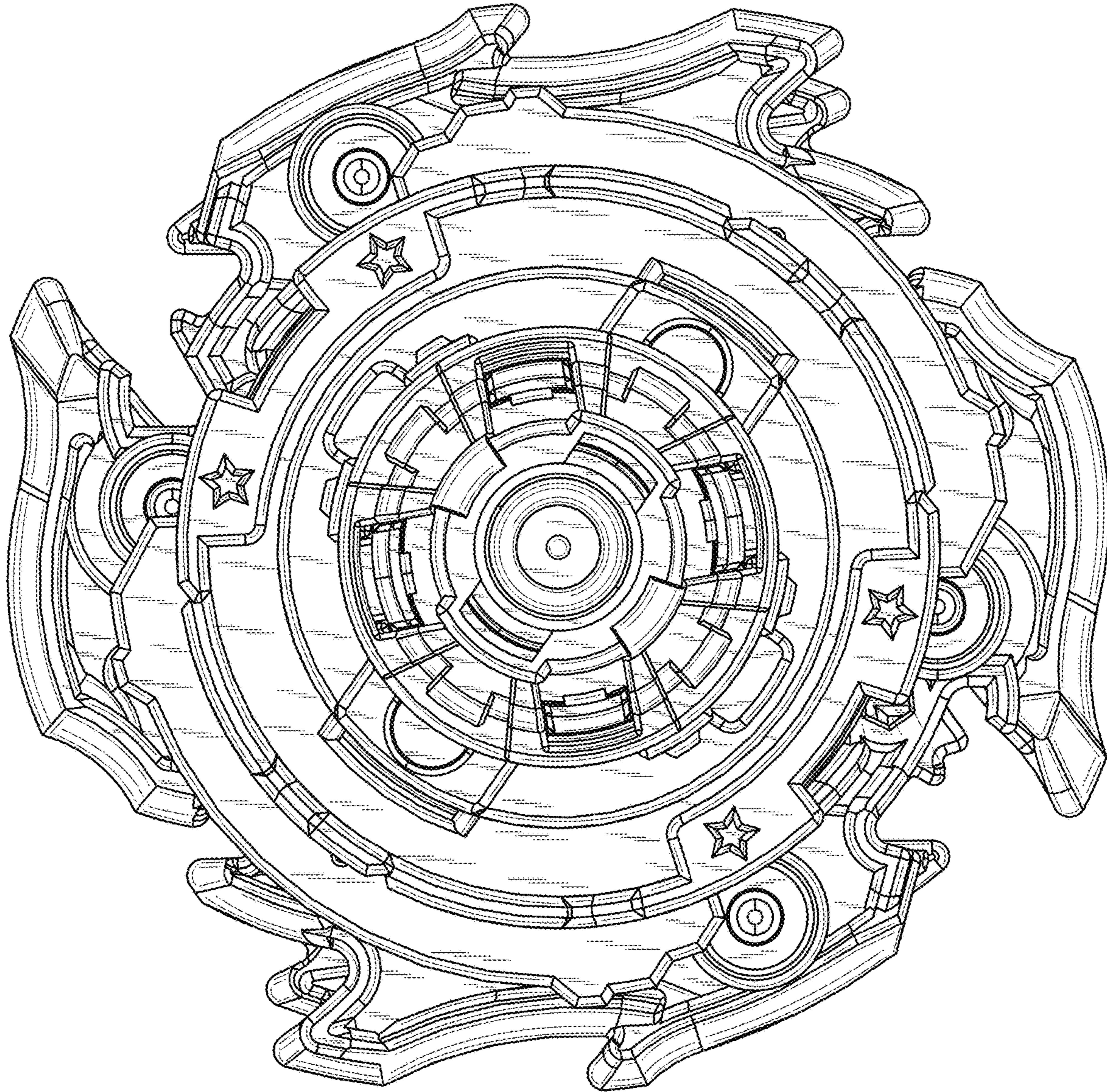


FIG. 6

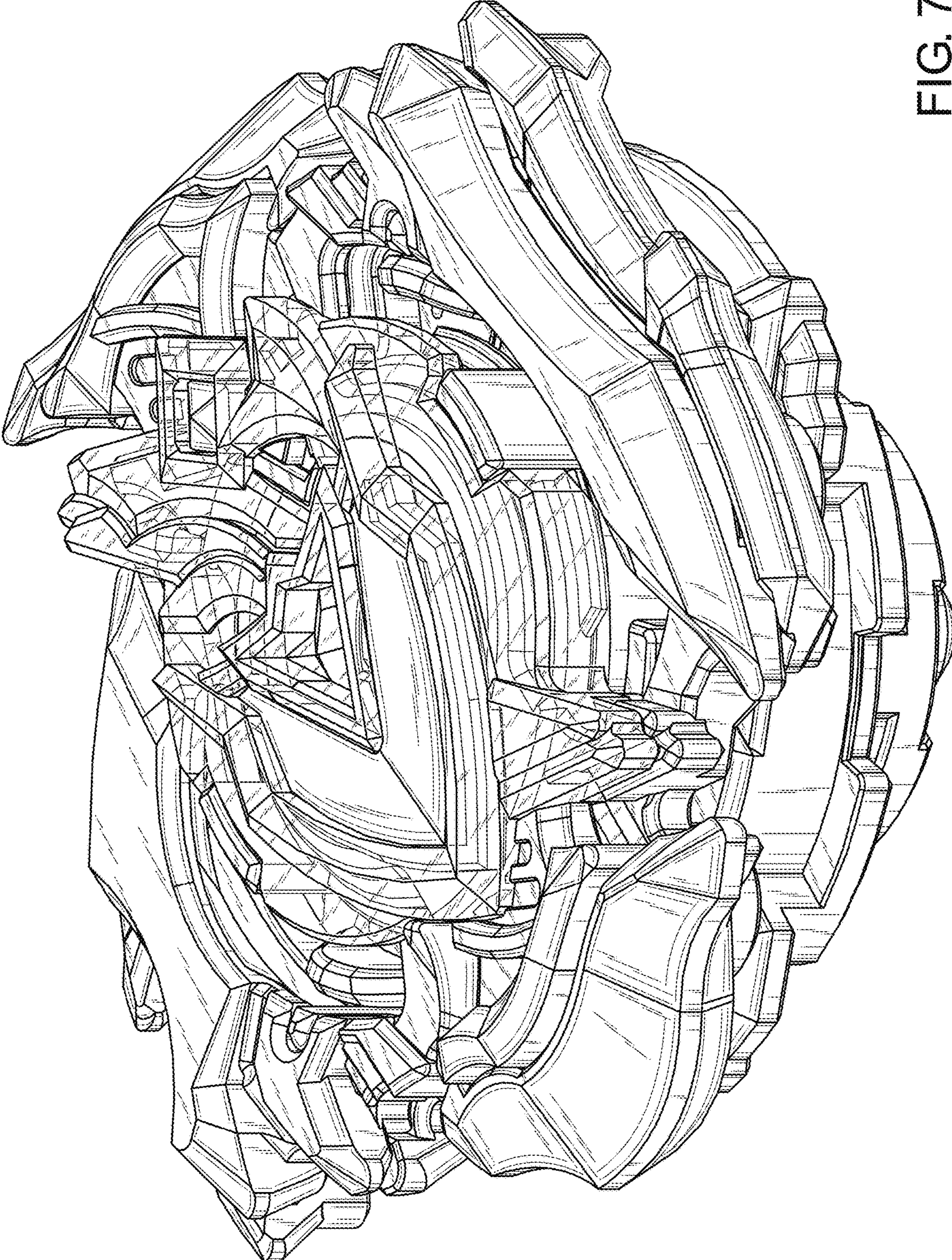


FIG. 7



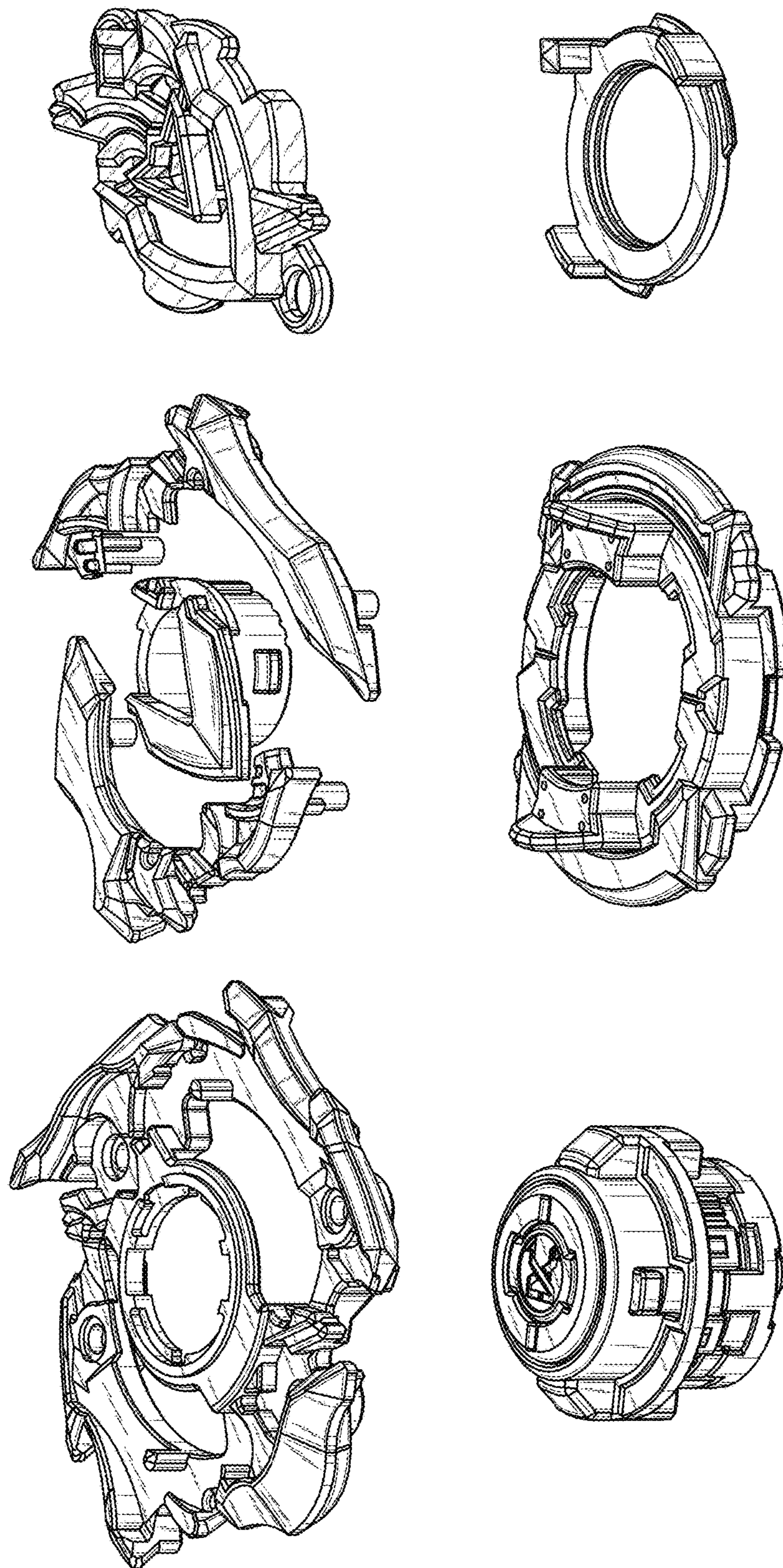


FIG. 8

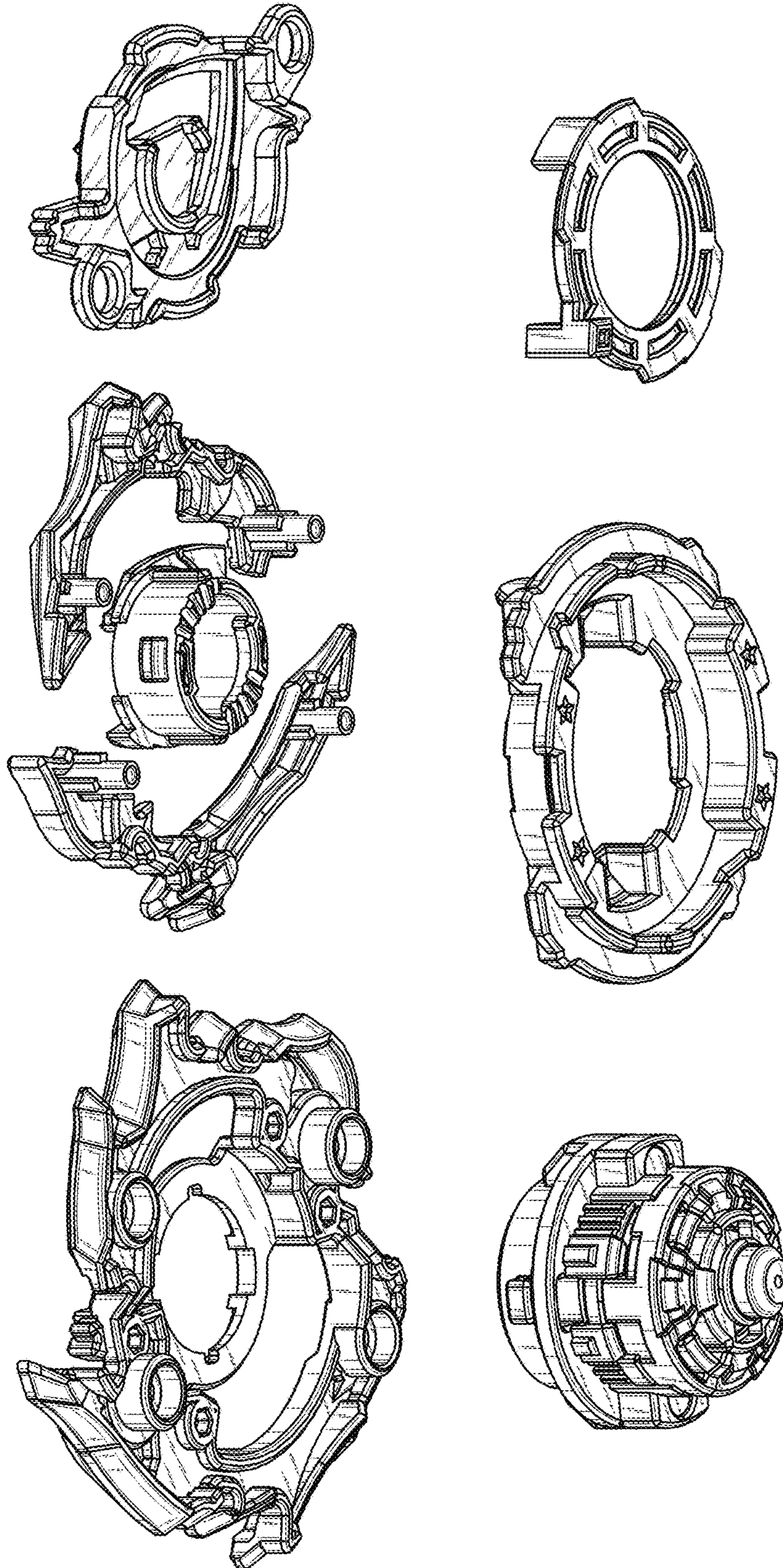


FIG. 9