



US00D857108S

(12) **United States Design Patent**
Horikoshi

(10) **Patent No.:** **US D857,108 S**

(45) **Date of Patent:** **** Aug. 20, 2019**

(54) **SPINNING TOP TOY**

(71) Applicant: **TOMY COMPANY, LTD.**, Tokyo (JP)

(72) Inventor: **Kenji Horikoshi**, Tokyo (JP)

(73) Assignee: **TOMY COMPANY, LTD.**, Tokyo (JP)

(**) Term: **15 Years**

(21) Appl. No.: **29/642,765**

(22) Filed: **Apr. 2, 2018**

(30) **Foreign Application Priority Data**

Oct. 2, 2017 (JP) 2017-021803

(51) **LOC (12) Cl.** **21-01**

(52) **U.S. Cl.**
USPC **D21/460**

(58) **Field of Classification Search**
USPC D21/455-464; 446/236-266
CPC A63H 1/00-32
See application file for complete search history.

(56) **References Cited**

U.S. PATENT DOCUMENTS

6,746,300 B1 *	6/2004	Matsukawa	A63H 1/06 446/256
D629,847 S *	12/2010	Ujita	D21/460
D629,848 S *	12/2010	Ujita	D21/460
9,597,604 B1 *	3/2017	Horikoshi	A63H 1/02
D820,919 S *	6/2018	Horikoshi	D21/460
D825,007 S *	8/2018	Muraki	D21/460
D825,670 S *	8/2018	Muraki	D21/460
D825,671 S *	8/2018	Horikoshi	D21/460
D825,673 S *	8/2018	Matsukawa	D21/460
D827,043 S *	8/2018	Muraki	D21/460
D827,044 S *	8/2018	Horikoshi	D21/460

D827,046 S *	8/2018	Horikoshi	D21/460
D835,209 S *	12/2018	Hashiba	D21/460
D835,724 S *	12/2018	Muraki	D21/460
D837,899 S *	1/2019	Narita	D21/460
2003/0064660 A1 *	4/2003	Matsukawa	A63F 3/00895 446/256

FOREIGN PATENT DOCUMENTS

CN	302143913	*	10/2012	
CN	303467759	*	11/2015	
CN	303533300	*	12/2015	
CN	303817127	*	8/2016	
JP	3160657 U	*	7/2010 A63H 1/00
JP	1565800	*	12/2016	
JP	6111365 B1	*	4/2017 A63H 1/02
JP	6250202 B1	*	12/2017 A63H 1/00
KR	300570055.0000	*	8/2010	

* cited by examiner

Primary Examiner — Catherine A Tuttle
(74) *Attorney, Agent, or Firm* — Oliff PLC

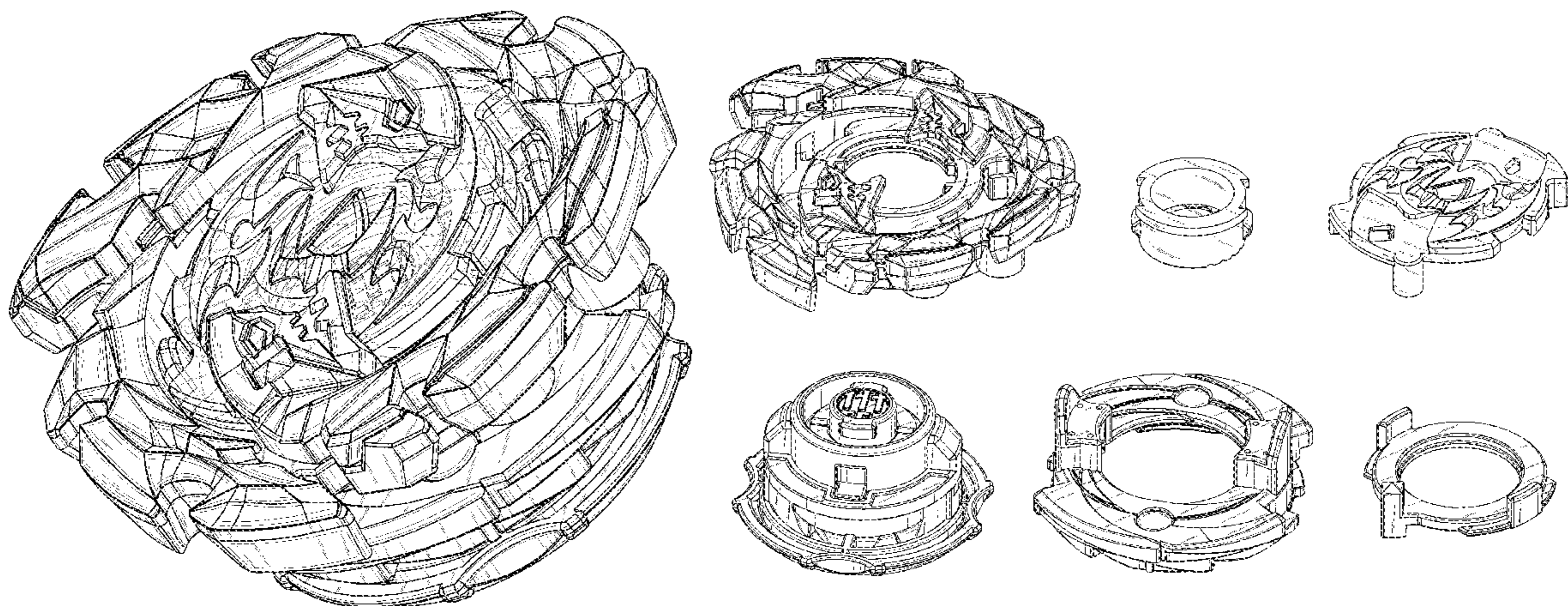
(57) **CLAIM**

The ornamental design for a spinning top toy, as shown and described.

DESCRIPTION

FIG. 1 is a front elevational view of the spinning top toy; FIG. 2 is a left-side elevational view thereof; FIG. 3 is a rear elevational view thereof; FIG. 4 is a right-side elevational view thereof; FIG. 5 is a top plan view thereof; FIG. 6 is a bottom plan view thereof; FIG. 7 is a front, top, right-side perspective view thereof; FIG. 8 is a disassembled front, top, right-side perspective view thereof; and, FIG. 9 is a disassembled rear, bottom and left-side perspective view thereof.

1 Claim, 9 Drawing Sheets



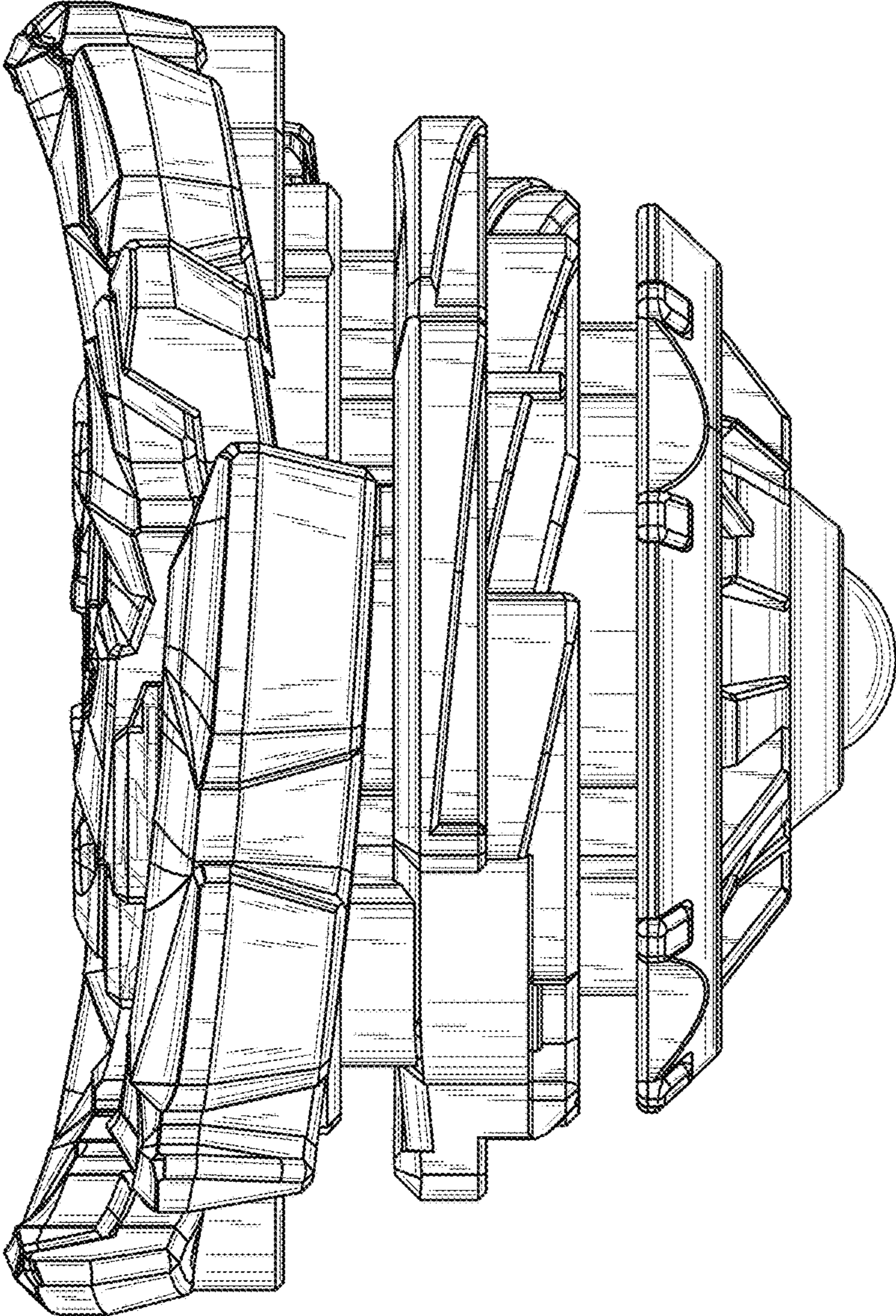


FIG. 1

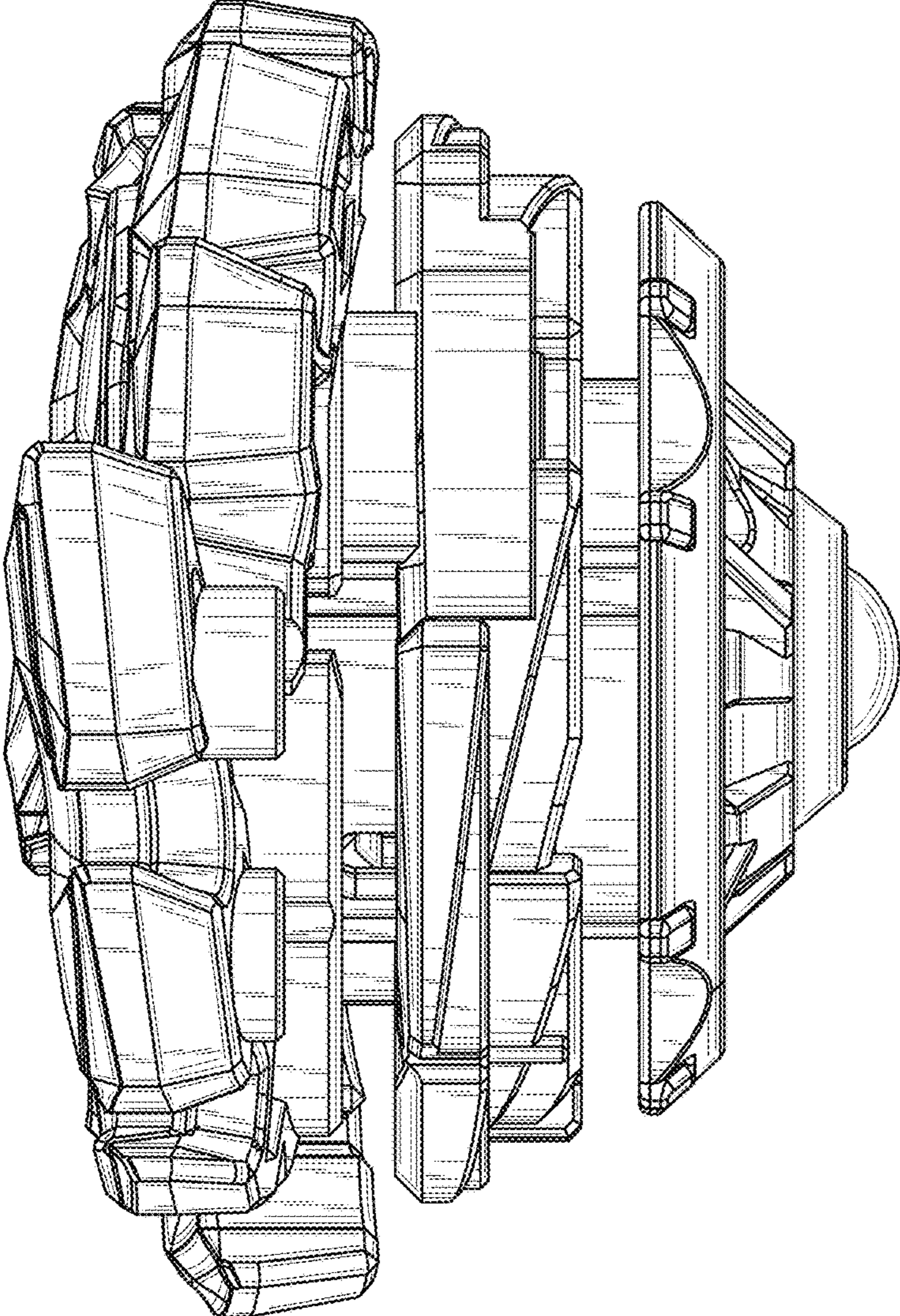


FIG. 2

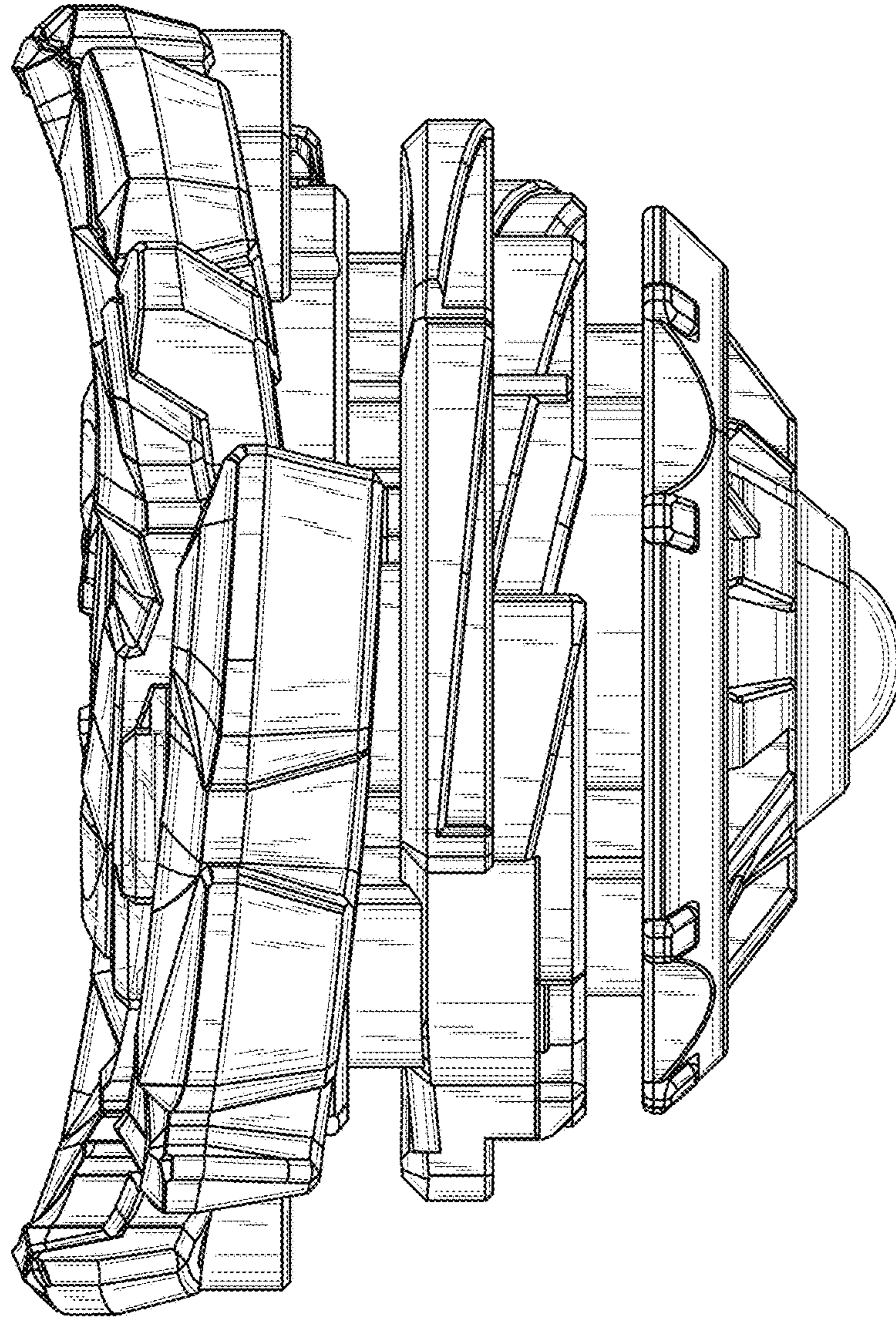


FIG. 3

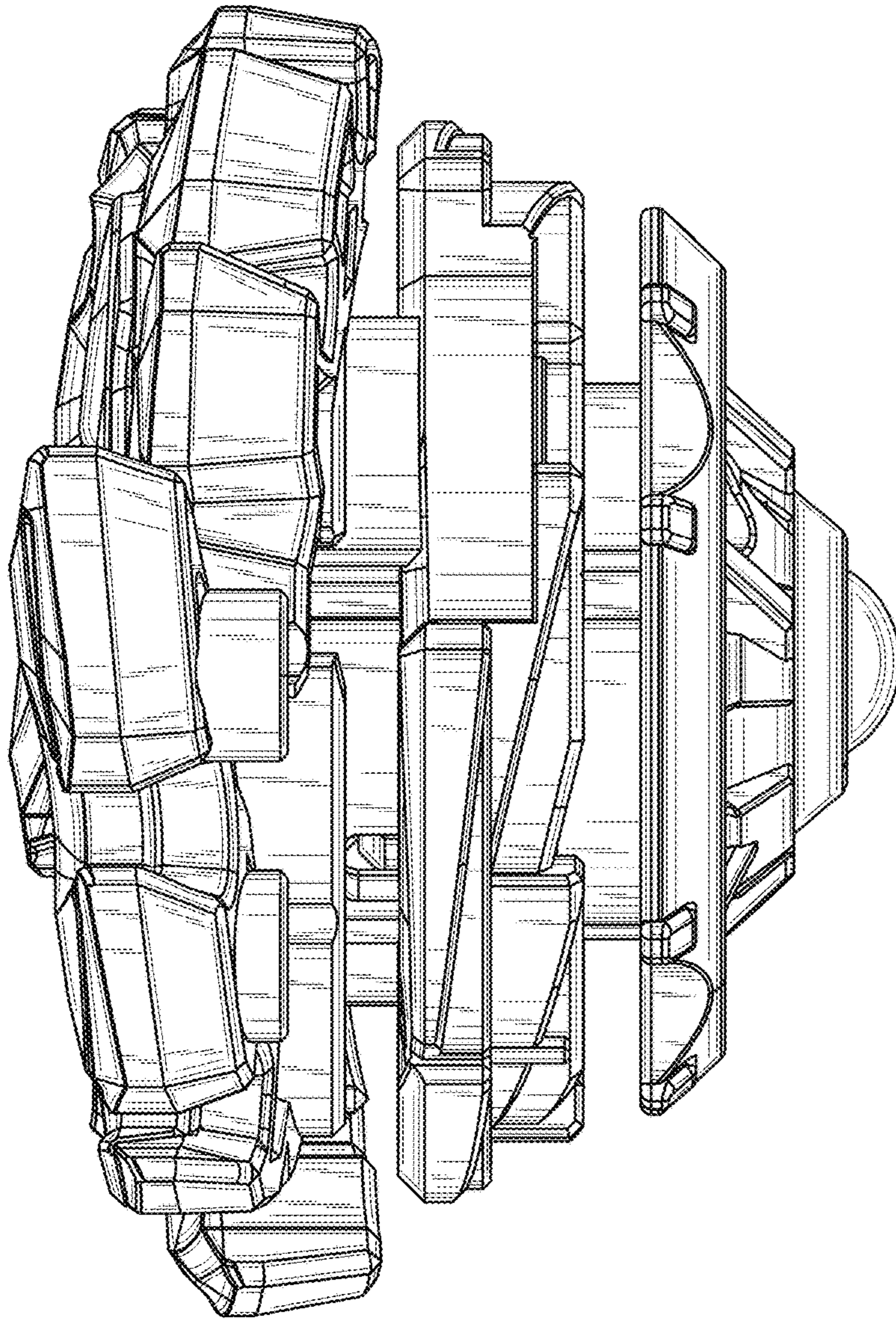


FIG. 4

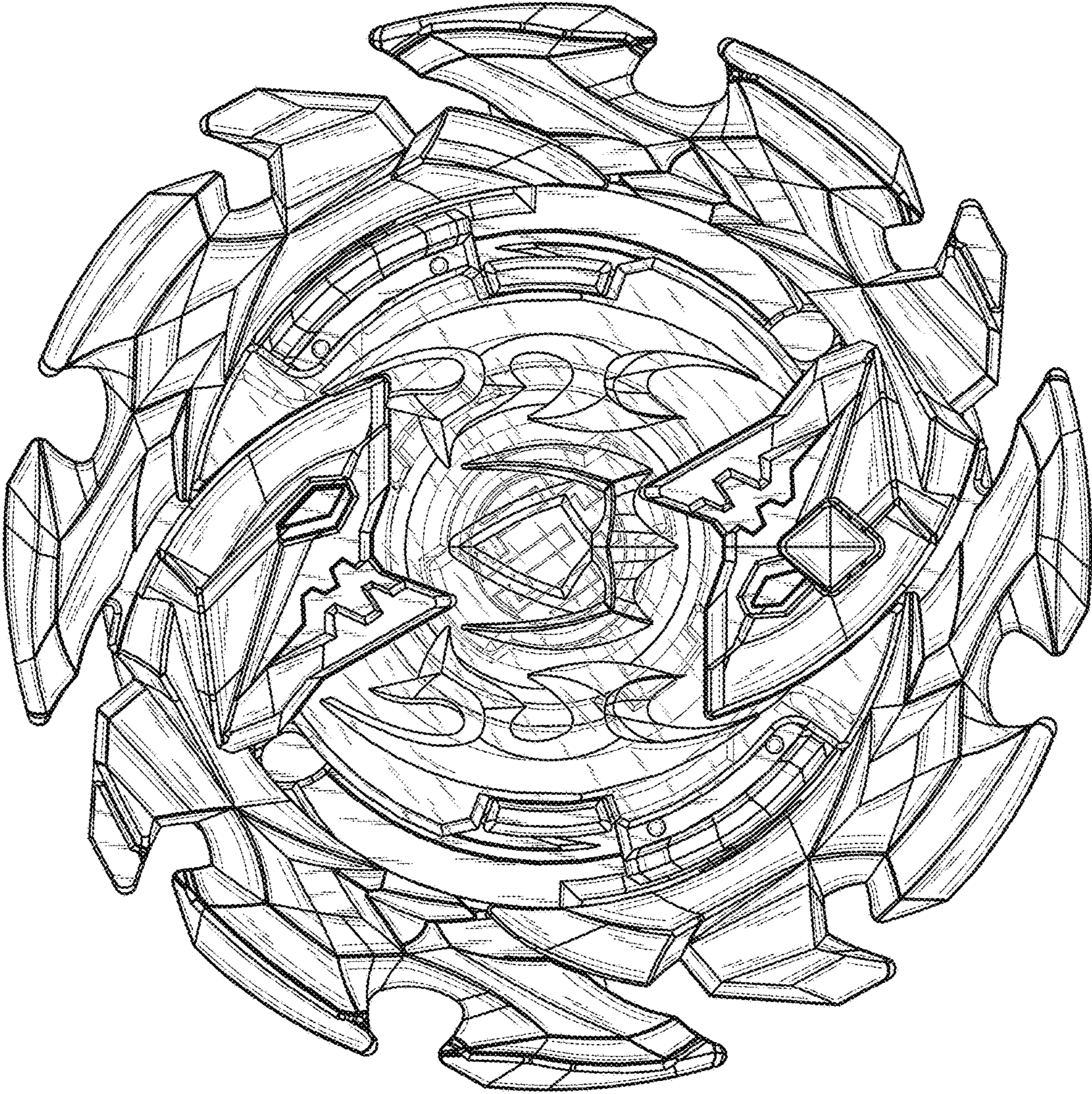


FIG. 5

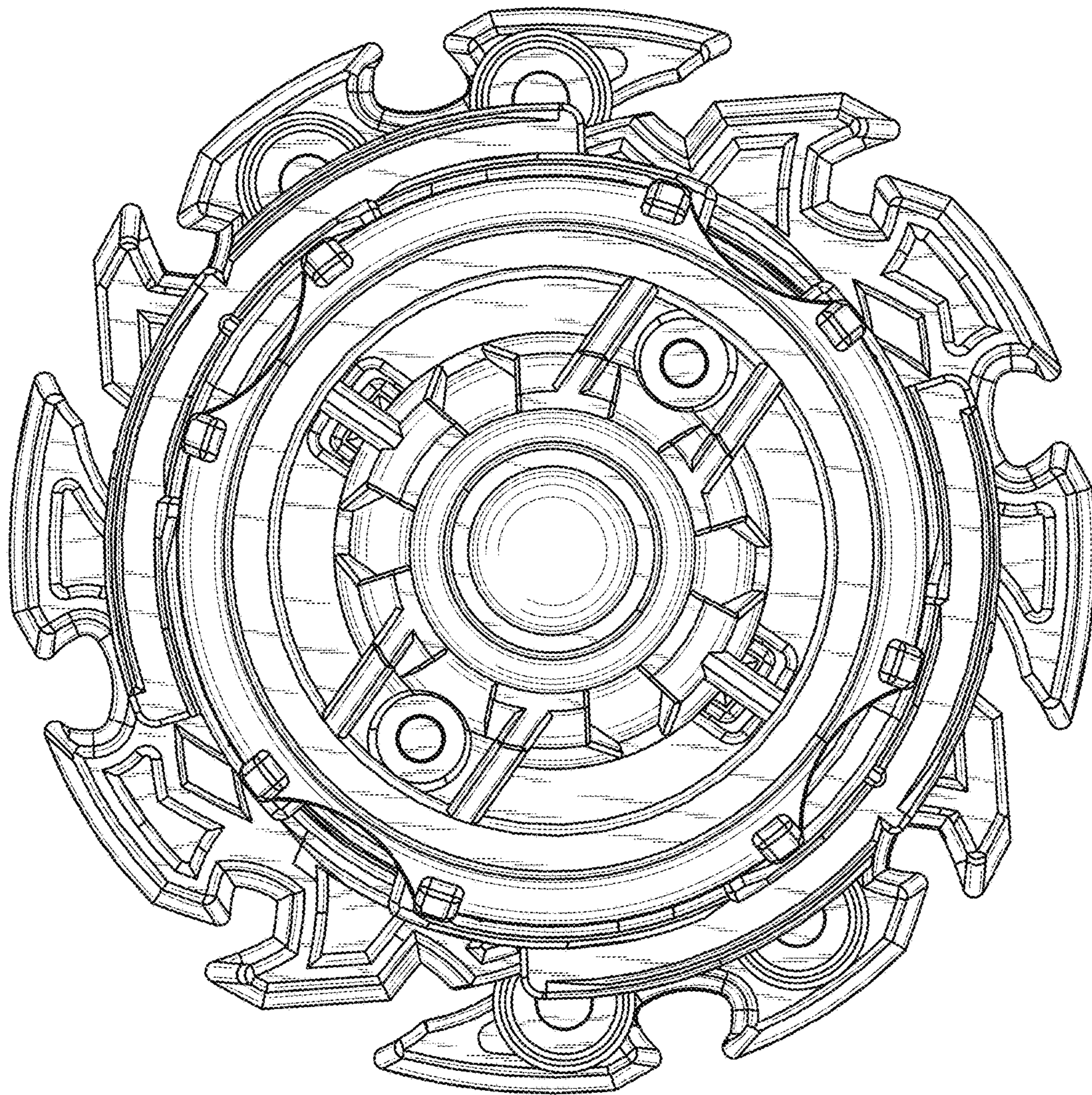


FIG. 6

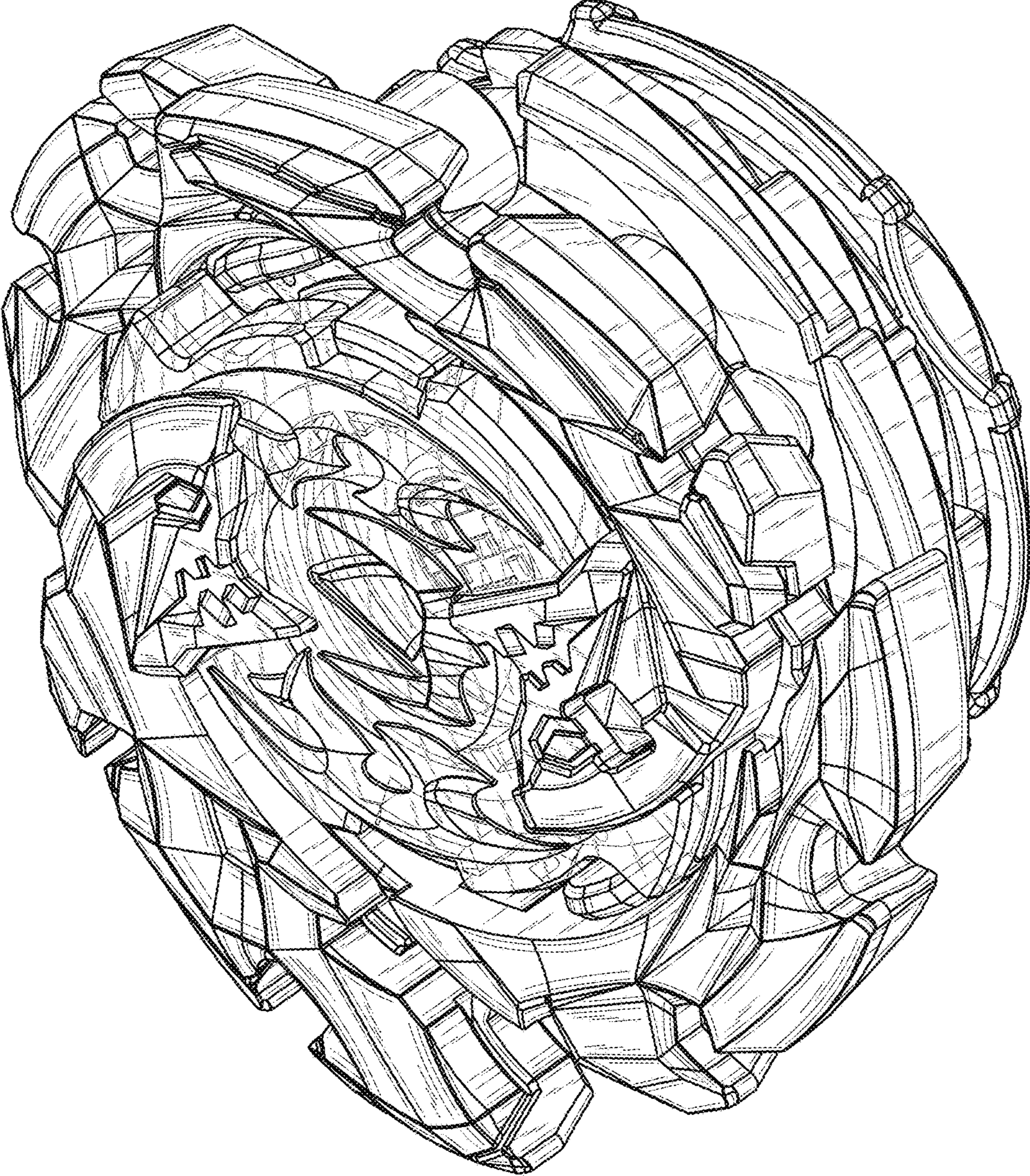


FIG. 7

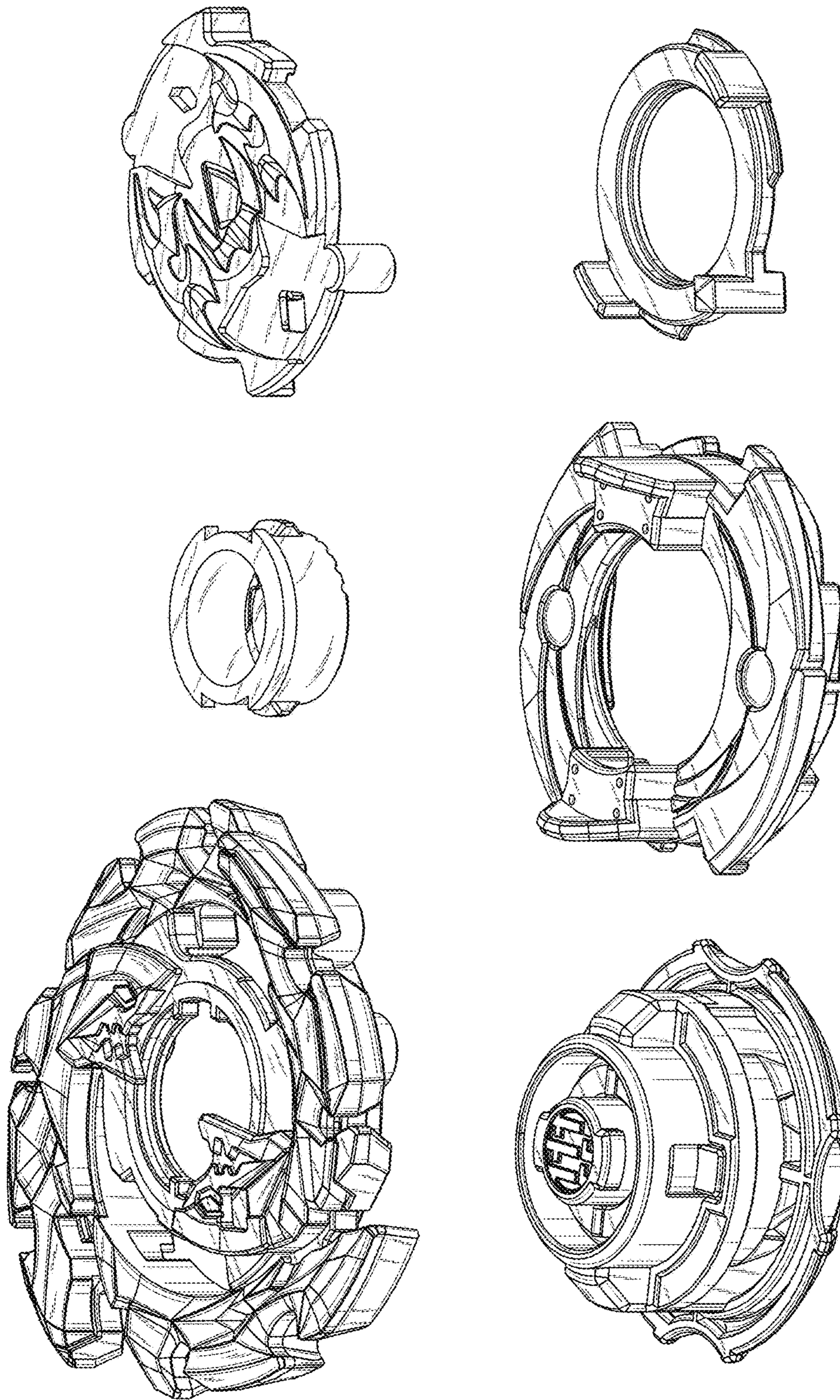


FIG. 8

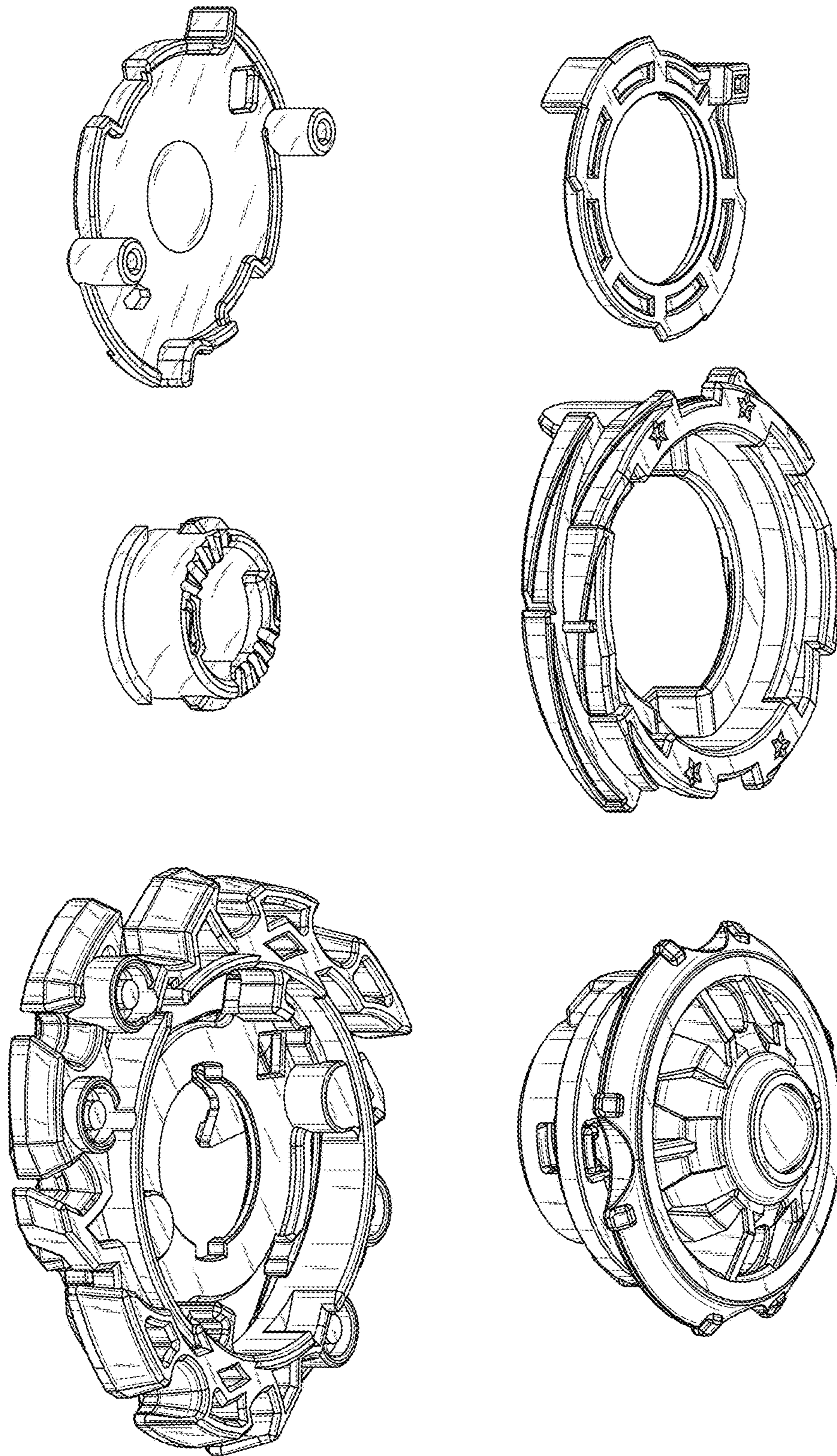


FIG. 9