



US00D857107S

(12) **United States Design Patent**  
**Horikoshi**

(10) **Patent No.:** **US D857,107 S**

(45) **Date of Patent:** **\*\* Aug. 20, 2019**

(54) **SPINNING TOP TOY**

(71) Applicant: **TOMY COMPANY, LTD.**, Tokyo (JP)

(72) Inventor: **Kenji Horikoshi**, Tokyo (JP)

(73) Assignee: **TOMY COMPANY, LTD.**, Tokyo (JP)

(\*\*) Term: **15 Years**

(21) Appl. No.: **29/620,171**

(22) Filed: **Aug. 2, 2016**

(30) **Foreign Application Priority Data**

Jun. 6, 2016 (JP) ..... 2016-011997

(51) **LOC (12) Cl.** ..... **21-01**

(52) **U.S. Cl.**  
USPC ..... **D21/460**

(58) **Field of Classification Search**  
USPC ..... D21/455-464; 446/236-266

(Continued)

(56) **References Cited**

**U.S. PATENT DOCUMENTS**

D608,842 S \* 1/2010 Nishimoto ..... D21/460  
D614,245 S \* 4/2010 Ujita ..... D21/460

(Continued)

**FOREIGN PATENT DOCUMENTS**

CN 3262744 \* 11/2002  
CN 303467759 \* 11/2015

(Continued)

**OTHER PUBLICATIONS**

Japanese Office Action dated Oct. 4, 2016 in corresponding Japanese Patent Application No. 2016-011997.

*Primary Examiner* — Catherine A Tuttle

(74) *Attorney, Agent, or Firm* — Staas & Halsey LLP

(57) **CLAIM**

The ornamental design for a spinning top toy, as shown and described.

**DESCRIPTION**

FIG. 1 is a front view of the spinning top toy showing our design;

FIG. 2 is a left side view thereof;

FIG. 3 is a rear view thereof;

FIG. 4 is right side view thereof;

FIG. 5 is a top view thereof;

FIG. 6 is a bottom view thereof;

FIG. 7 is a perspective view thereof;

FIG. 8 is a front view thereof corresponding to FIG. 1 but showing contour shading to the exterior parts and with the interior parts omitted for clarity of disclosure;

FIG. 9 is a left side view thereof corresponding to FIG. 2 but showing contour shading to the exterior parts and with the interior parts omitted for clarity of disclosure;

FIG. 10 is rear view thereof corresponding to FIG. 3 but showing contour shading to the exterior parts and with the interior parts omitted for clarity of disclosure;

FIG. 11 is a right side view thereof corresponding to FIG. 4 but showing contour shading to the exterior parts and with the interior parts omitted for clarity of disclosure;

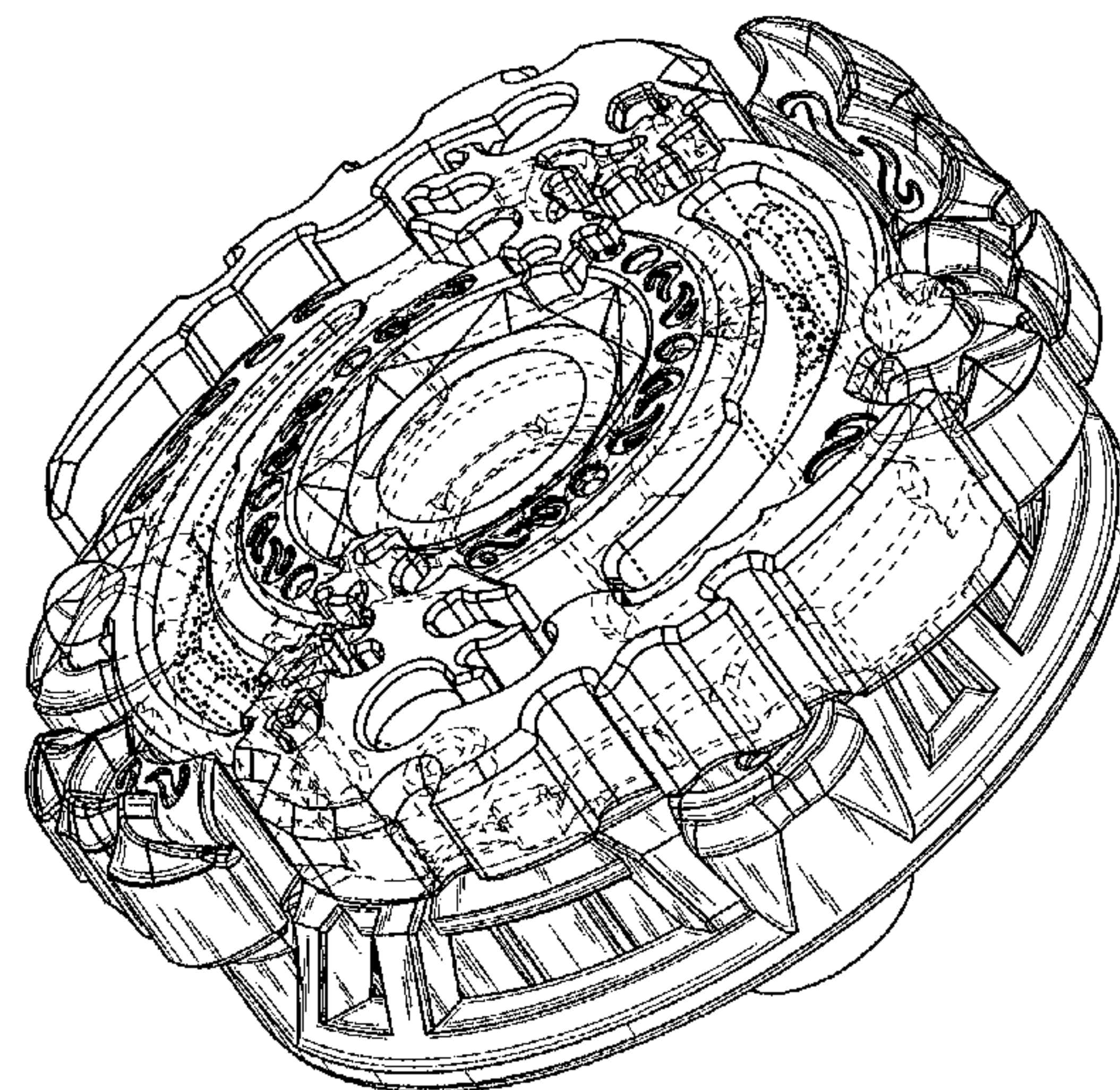
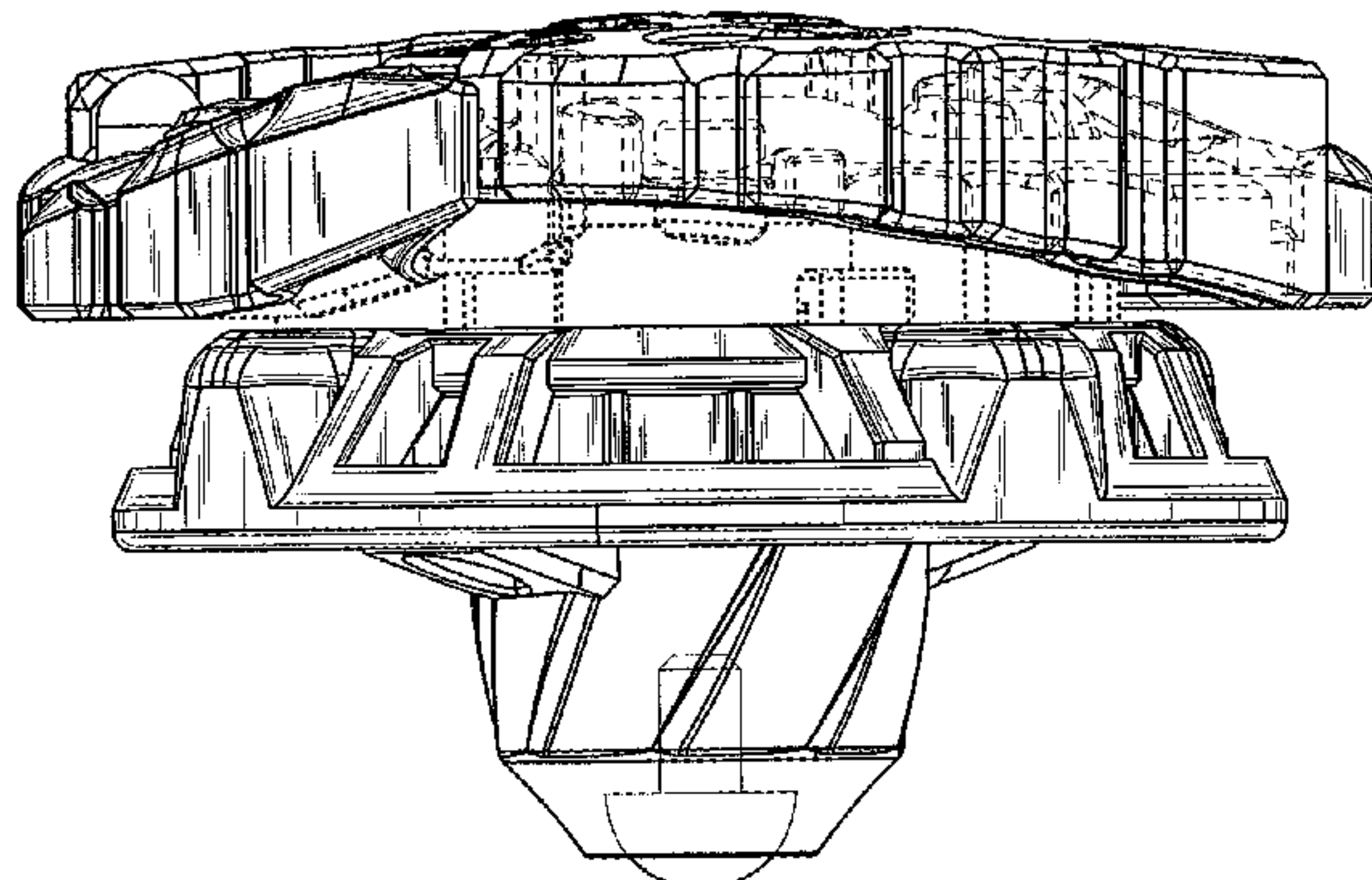
FIG. 12 is a top view thereof corresponding to FIG. 5 but showing contour shading to the exterior parts and with the interior parts omitted for clarity of disclosure;

FIG. 13 is a bottom view thereof corresponding to FIG. 6 but showing contour shading to the exterior parts and with the interior parts omitted for clarity of disclosure; and,

FIG. 14 is a perspective view corresponding to FIG. 7, but showing contour shading to the exterior parts and with the interior parts omitted for clarity of disclosure.

The portions of the spinning top toy shown in broken lines form no part of the claimed design.

**1 Claim, 14 Drawing Sheets**



(58) **Field of Classification Search**

CPC ..... A63H 1/00-32; A63F 9/16  
See application file for complete search history.

(56) **References Cited**

U.S. PATENT DOCUMENTS

D629,051	S	*	12/2010	Nishimoto	.....	D21/460
D629,848	S	*	12/2010	Ujita	.....	D21/460
D639,348	S	*	6/2011	Ujita	.....	D21/460
D639,869	S	*	6/2011	Nishimoto	.....	D21/460
D660,918	S	*	5/2012	Ujita	.....	D21/460
D662,556	S	*	6/2012	Horikoshi	.....	D21/460
D665,859	S	*	8/2012	Horikoshi	.....	D21/460
D666,252	S	*	8/2012	Ujita	.....	D21/460
D666,253	S	*	8/2012	Ujita	.....	D21/460
9,849,393	B2	*	12/2017	Muraki	.....	A63H 1/00
D834,101	S	*	11/2018	Horikoshi	.....	D21/460

FOREIGN PATENT DOCUMENTS

CN	303533300	*	12/2015
CN	303817127	*	8/2016
EM	003253442-0007	*	7/2016
EM	003253442-0008	*	7/2016
JP	D1549756	*	5/2016
JP	D1549780	*	5/2016
JP	003318252-0003	*	8/2016
JP	D1565800	*	12/2016

\* cited by examiner



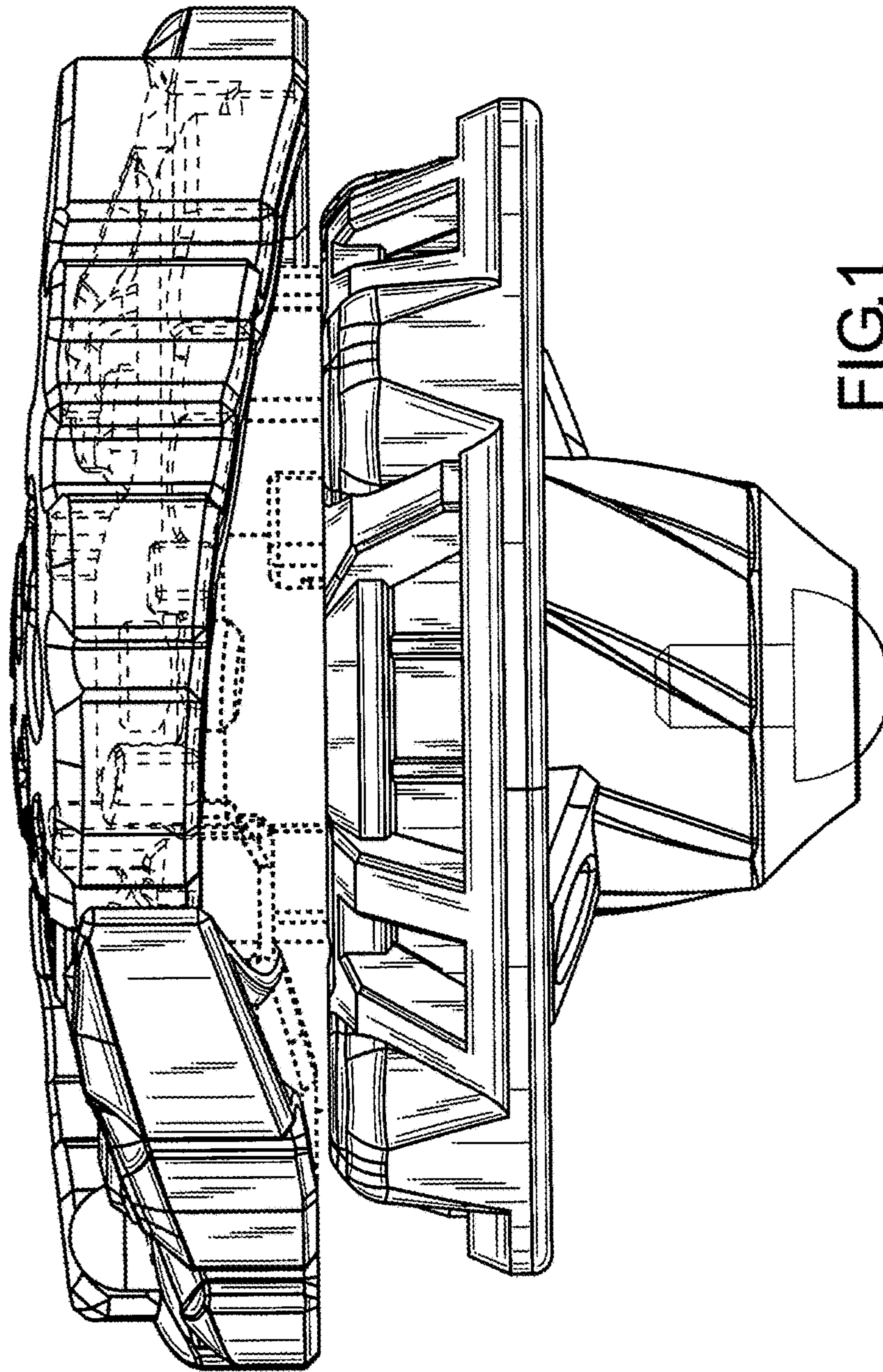


FIG.1

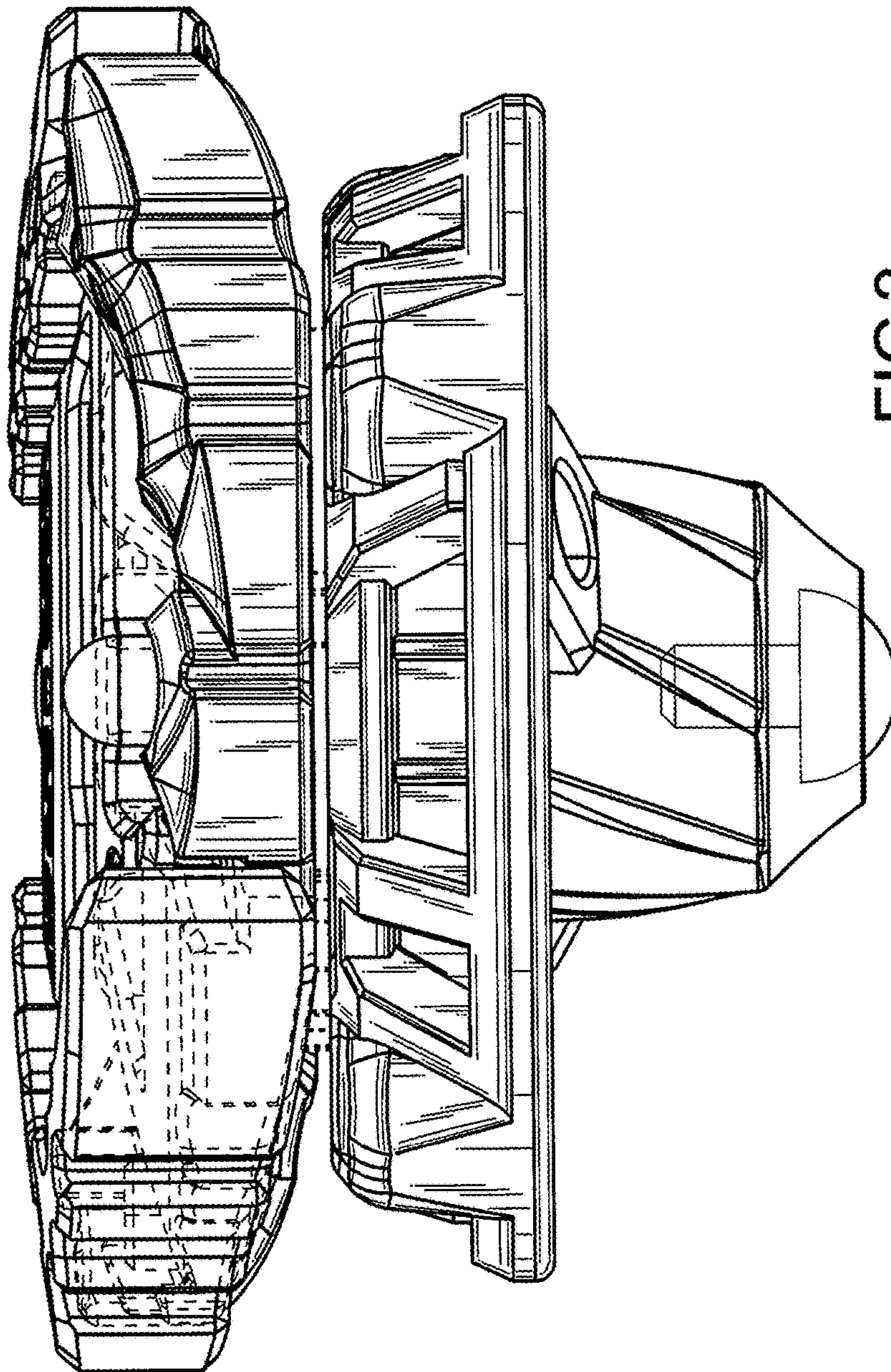


FIG. 2



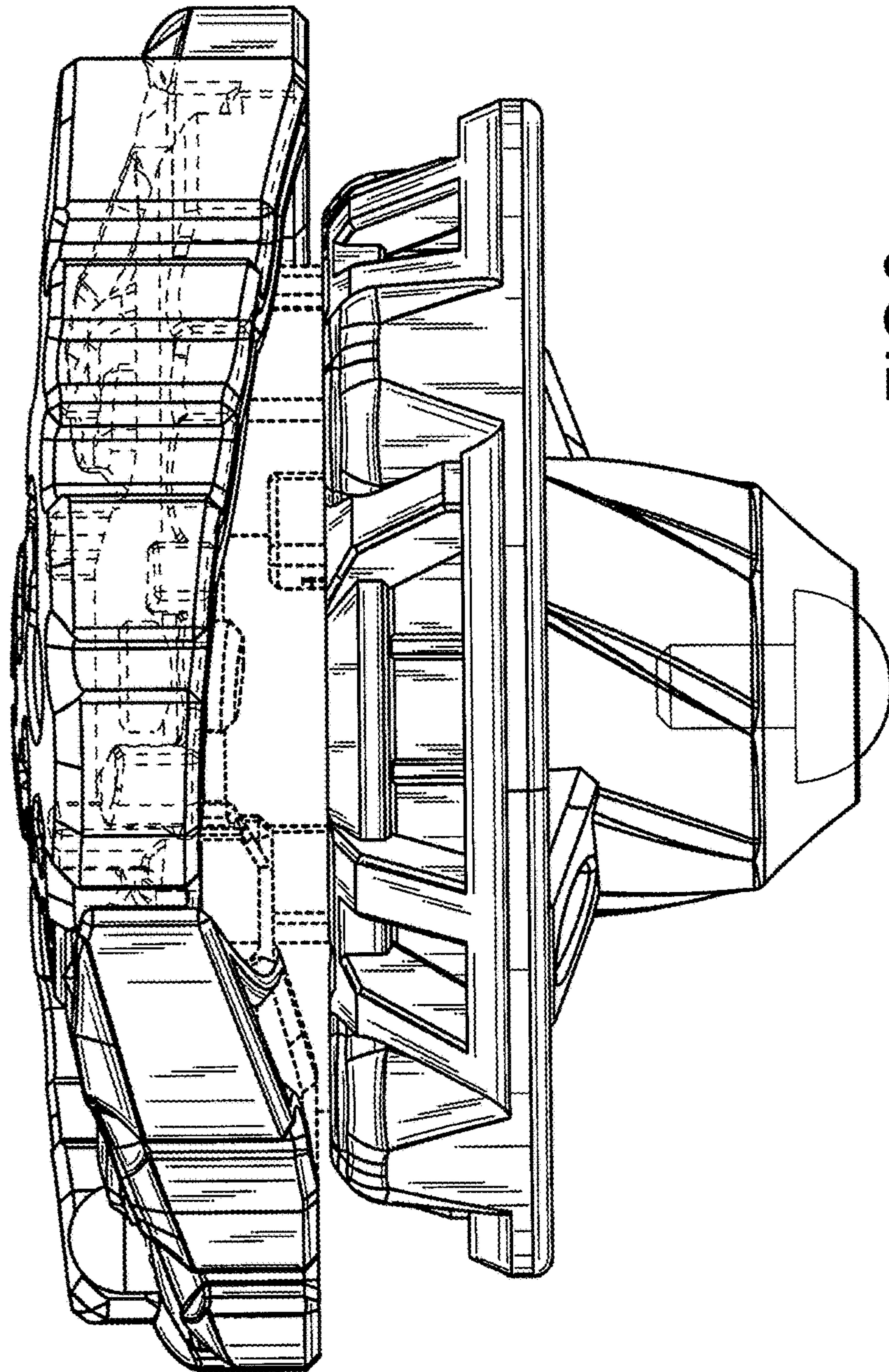


FIG.3

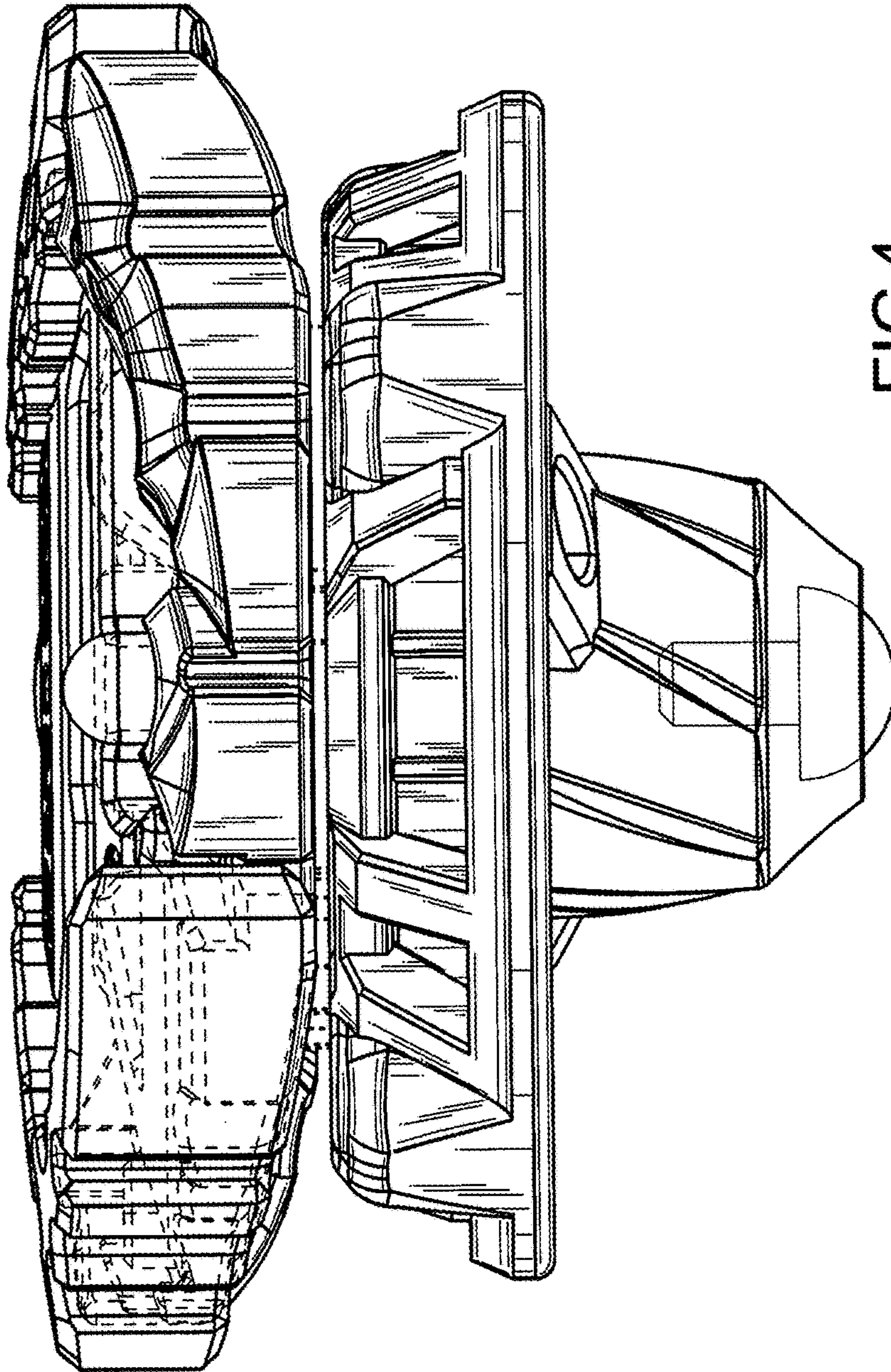


FIG.4



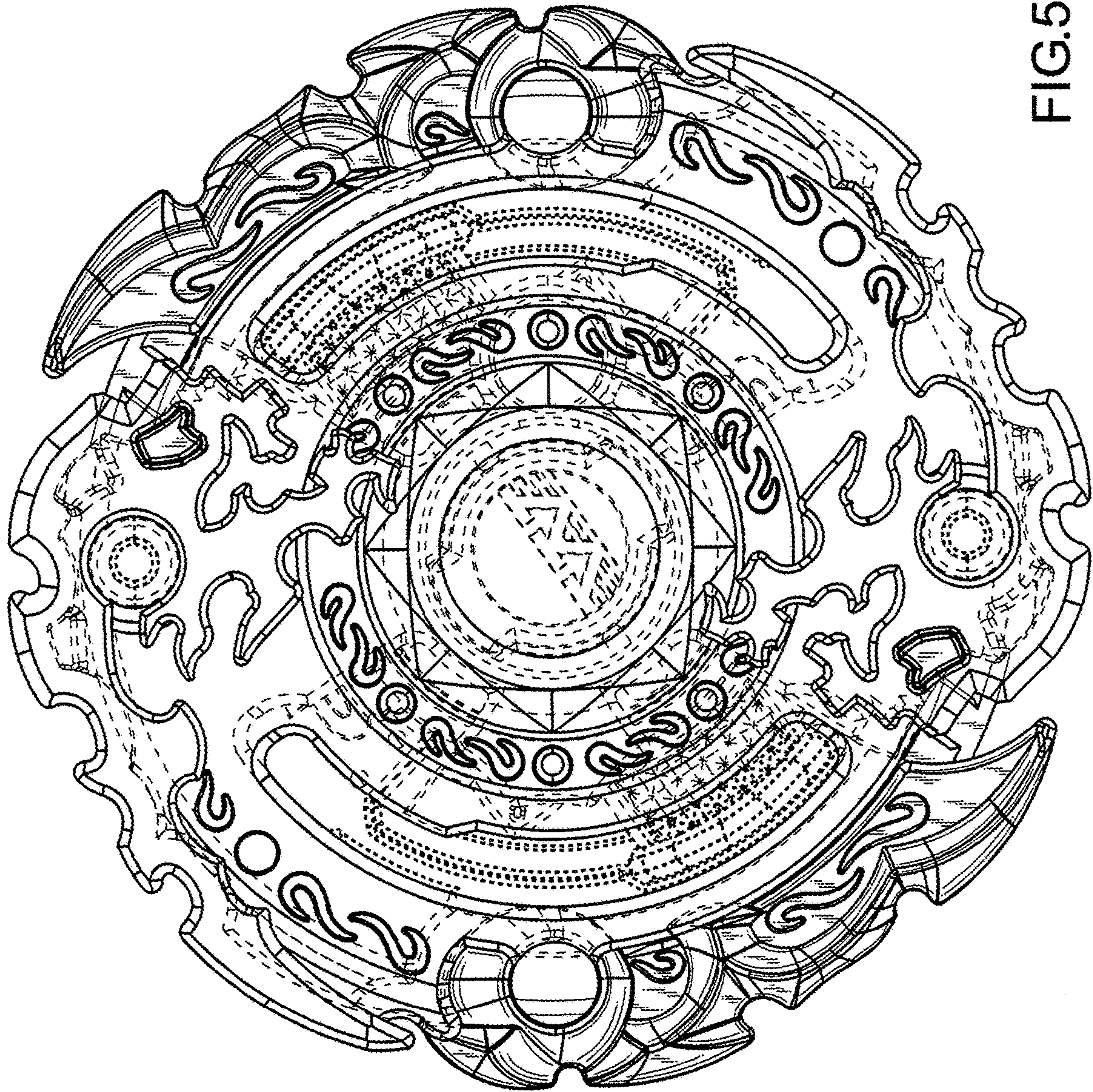


FIG. 5



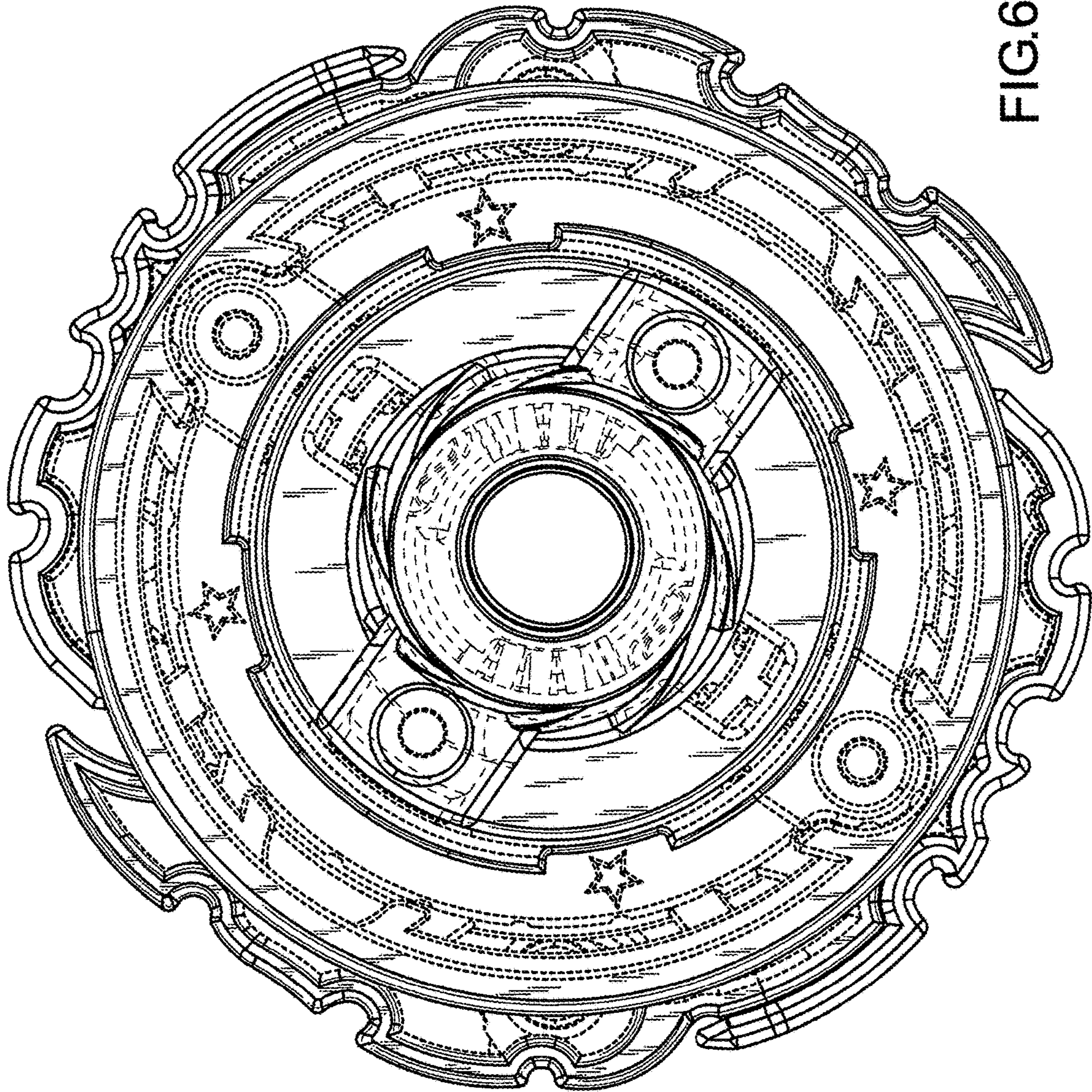


FIG.6



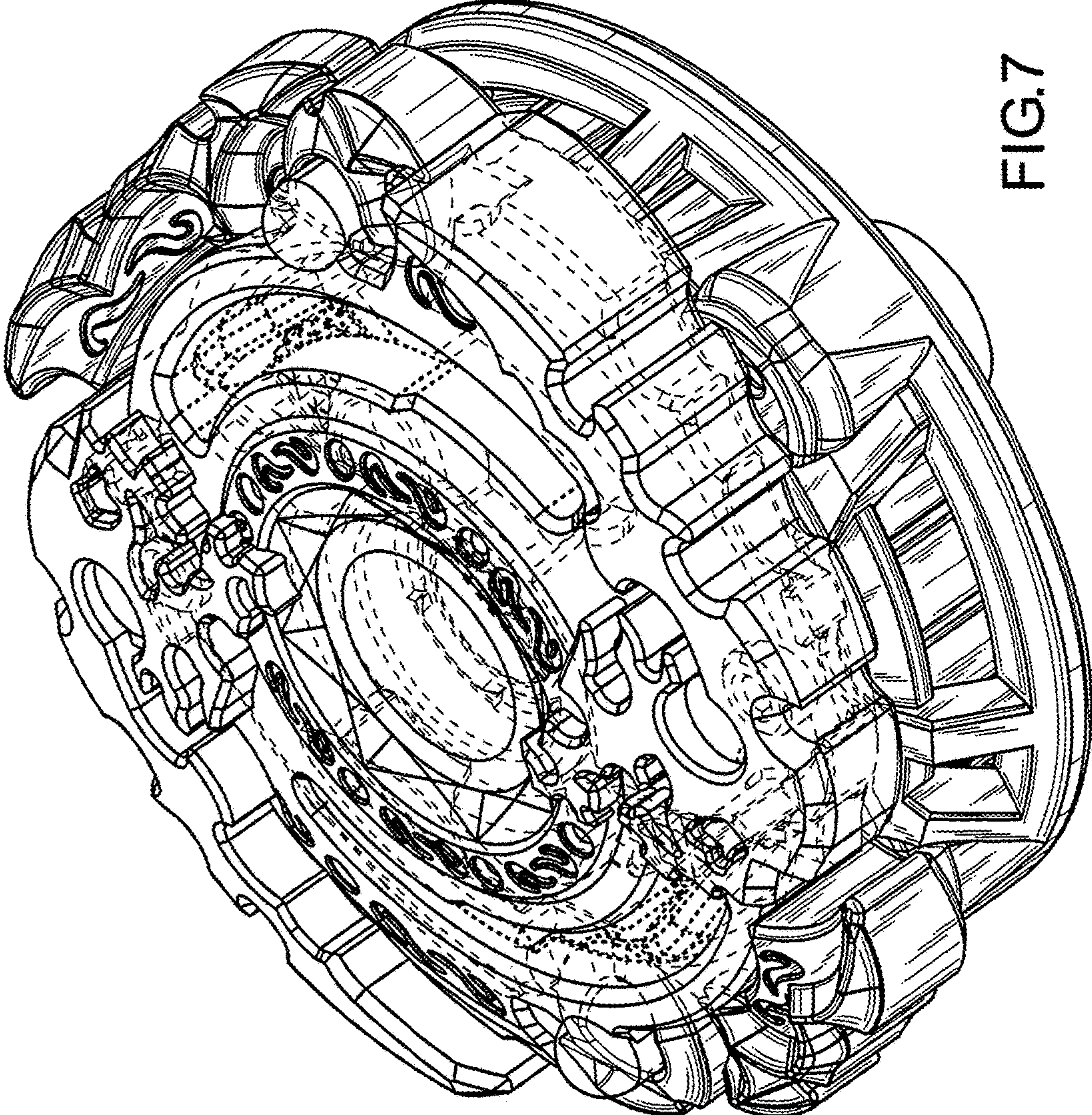


FIG.7



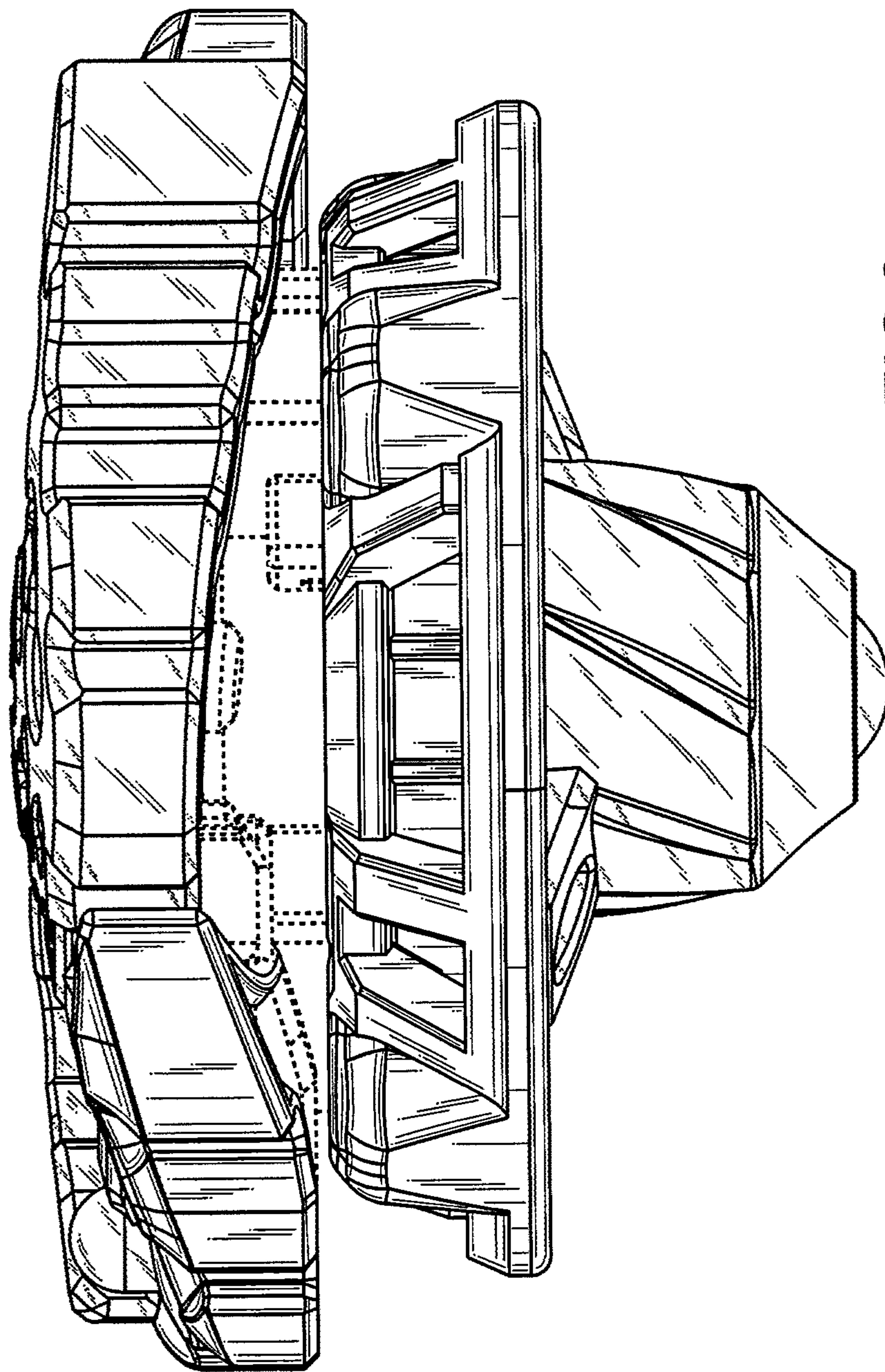


FIG.8



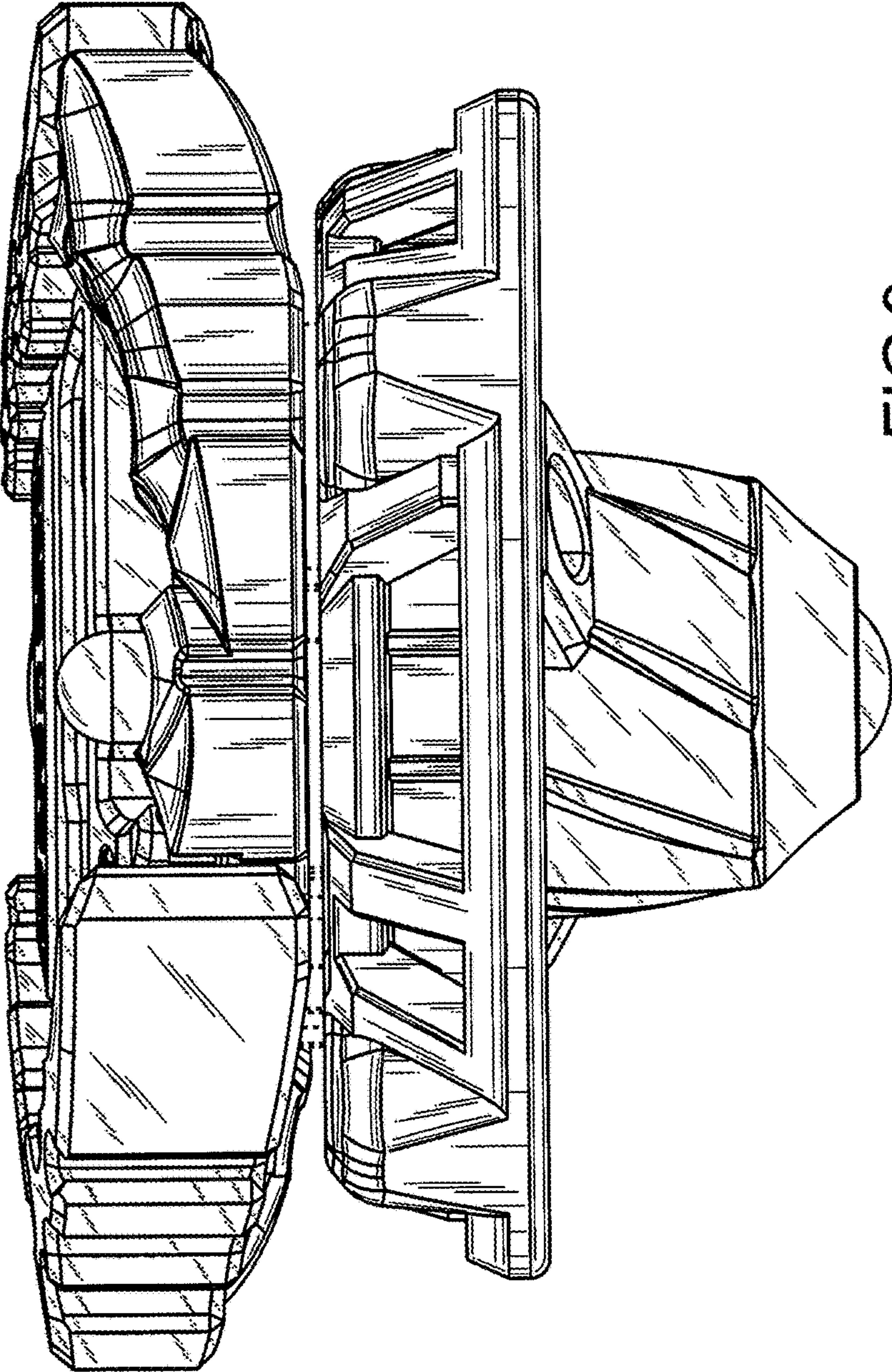


FIG.9

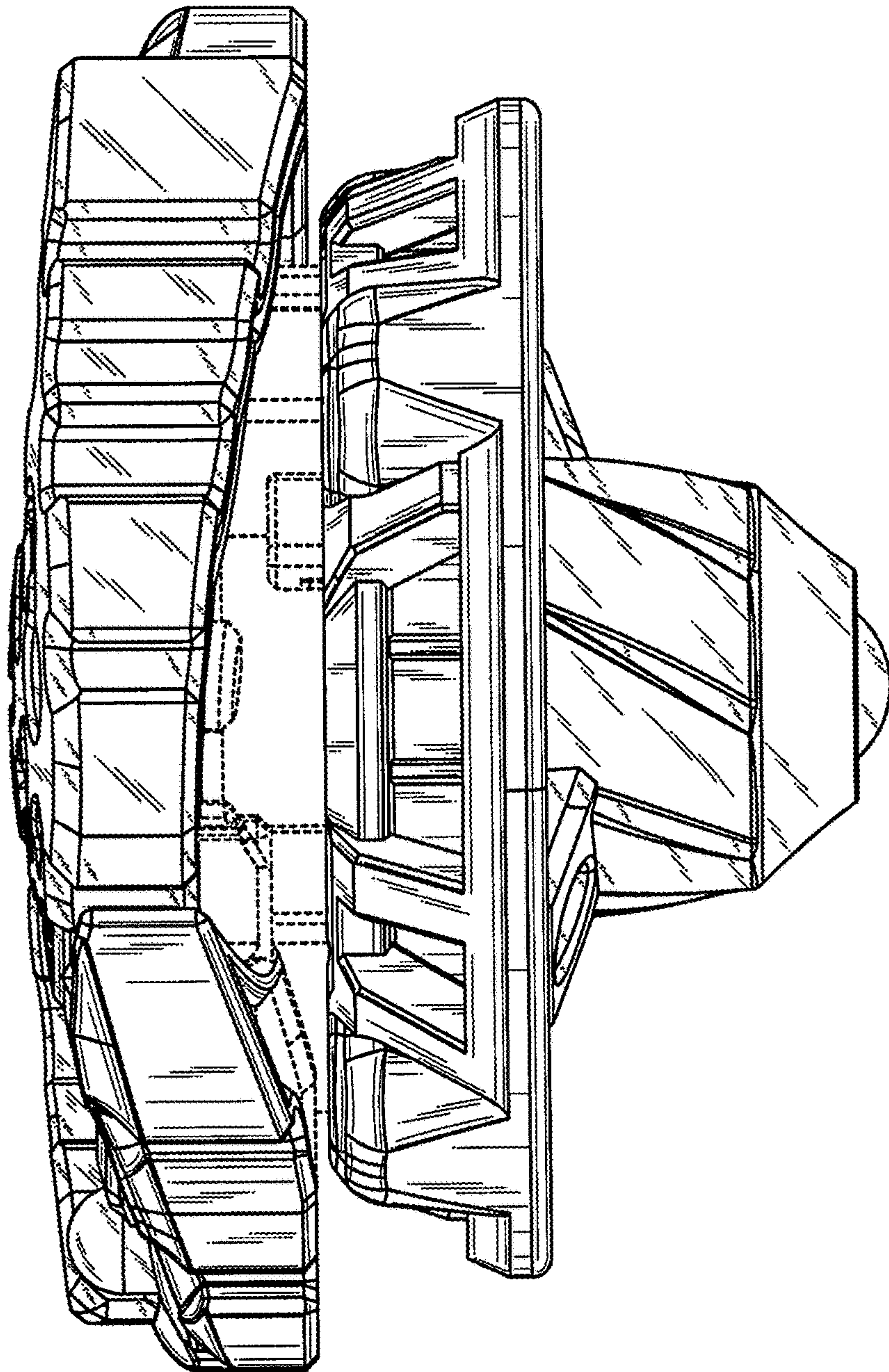


FIG.10



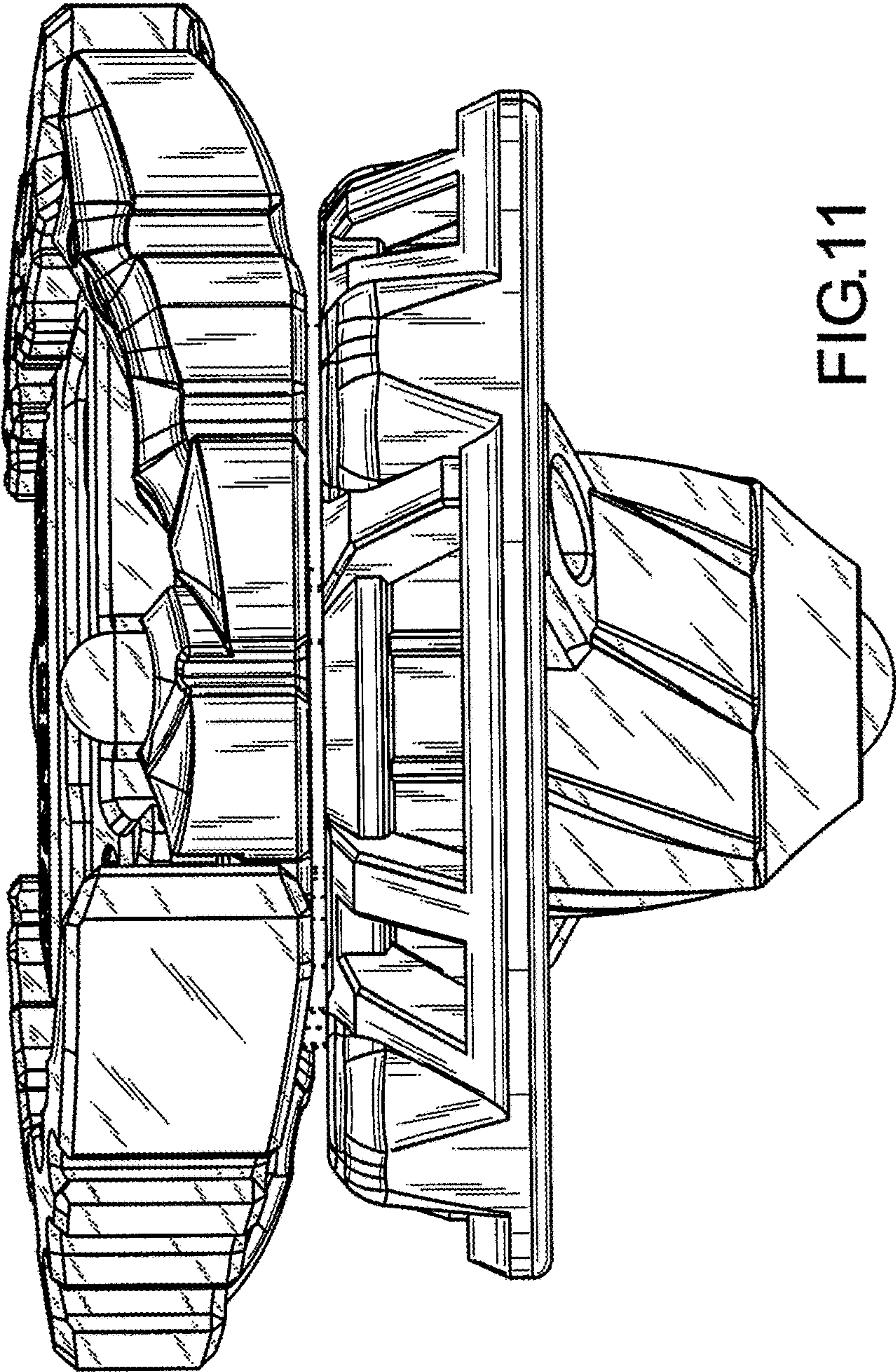


FIG.11



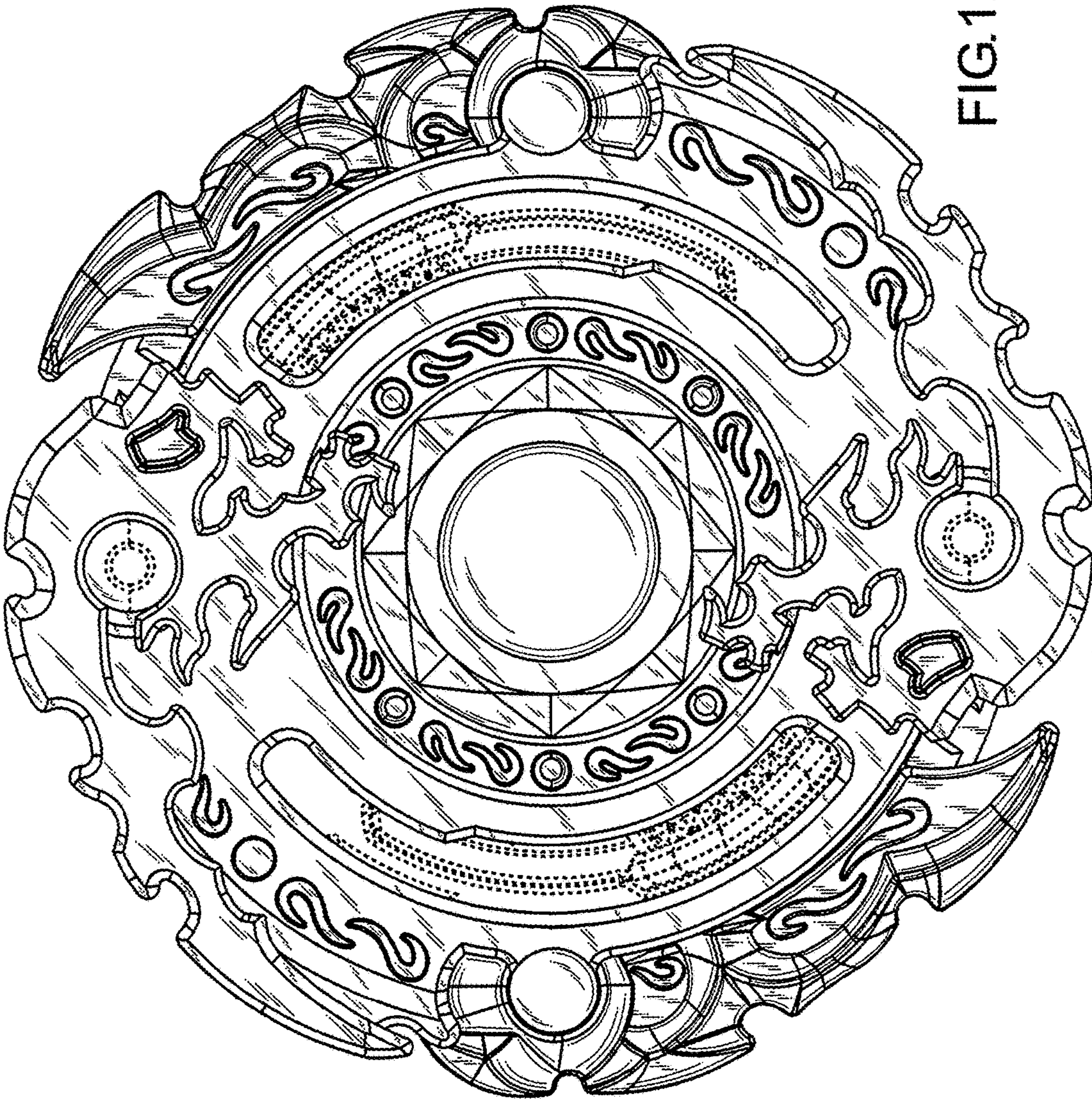


FIG.12



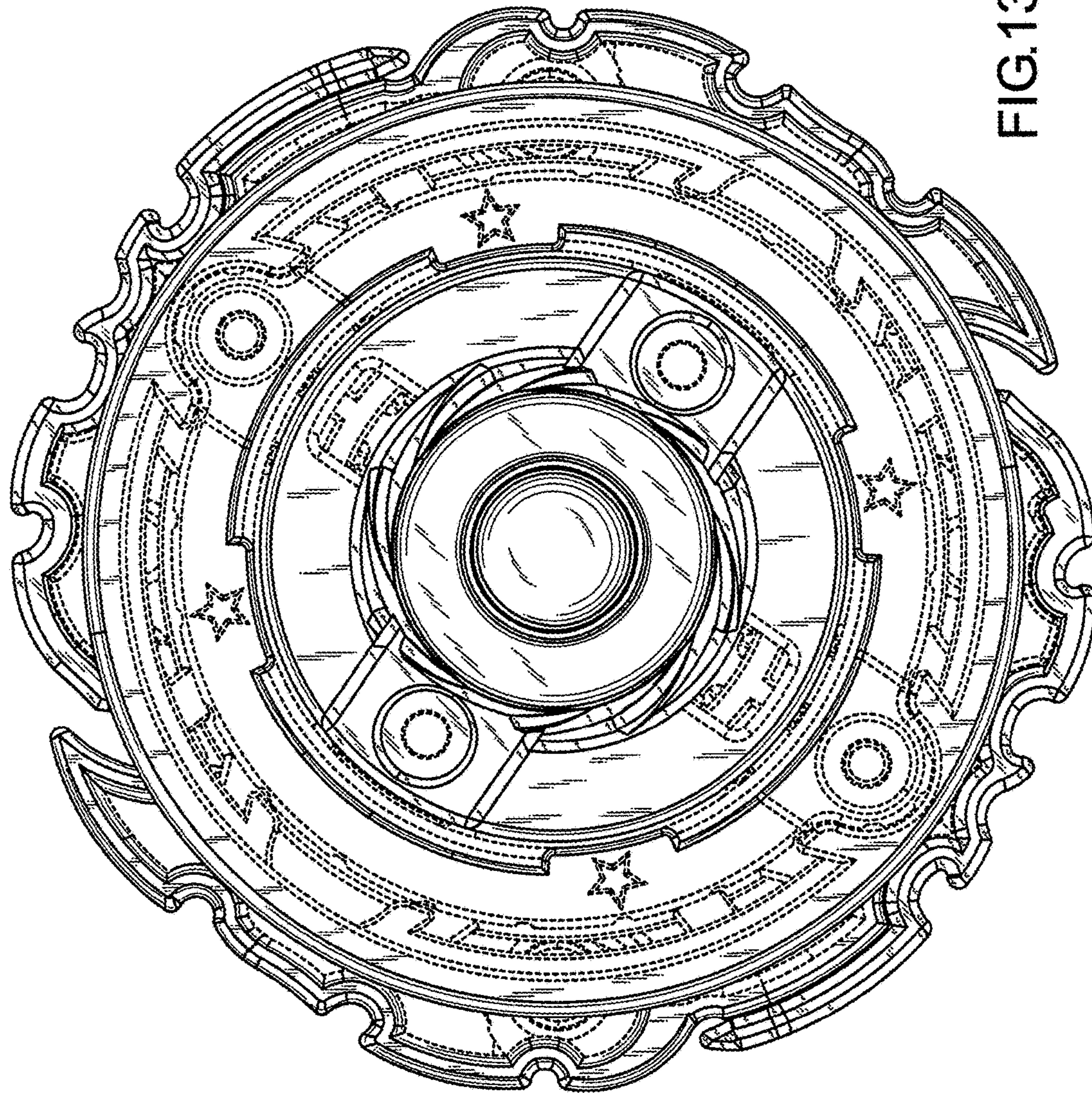


FIG.13



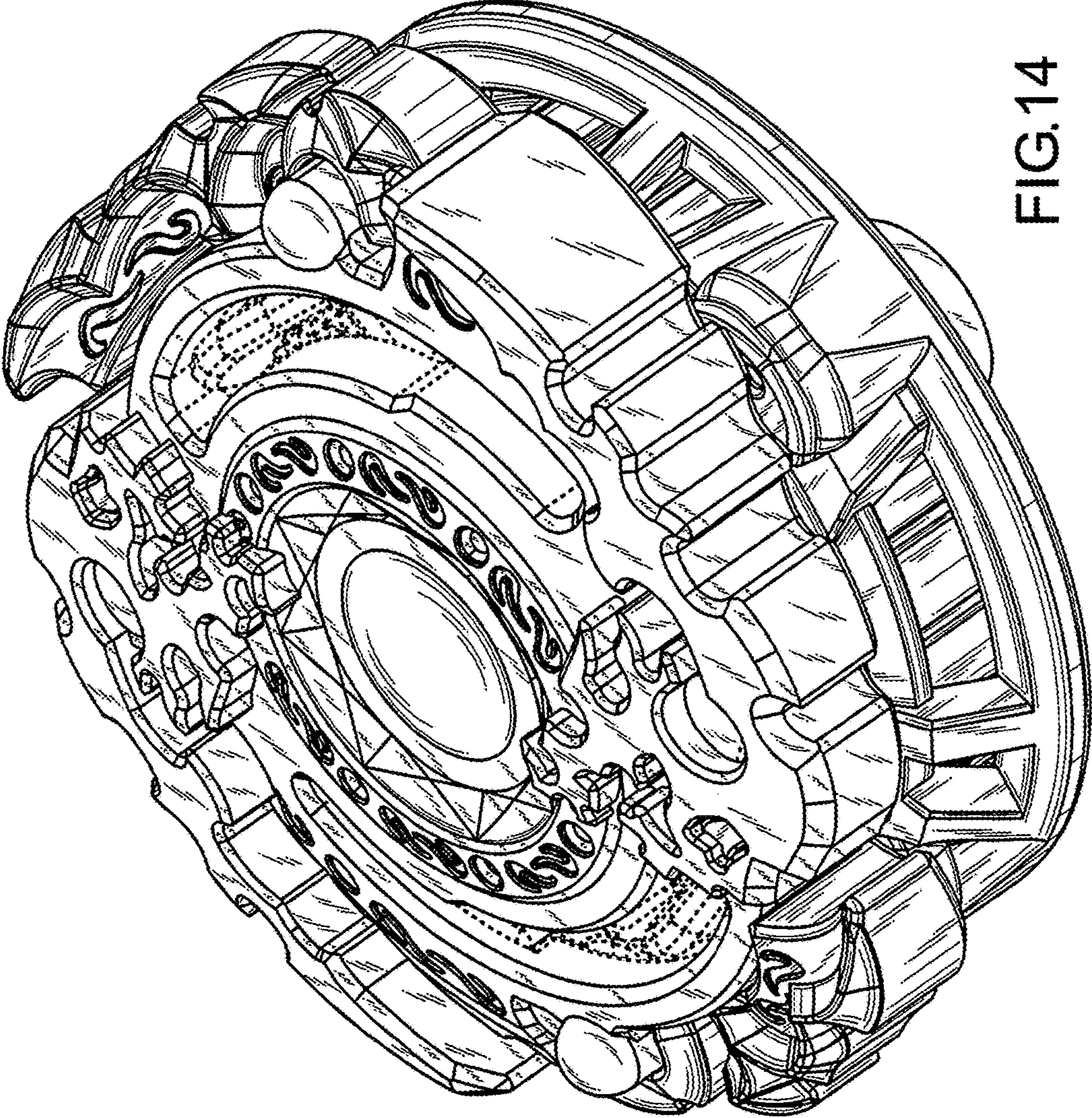


FIG.14