



US00D857106S

(12) **United States Design Patent**
Narita

(10) **Patent No.:** **US D857,106 S**

(45) **Date of Patent:** **** Aug. 20, 2019**

(54) **SPINNING TOP TOY**

DESCRIPTION

(71) Applicant: **TOMY COMPANY, LTD.**, Tokyo (JP)

(72) Inventor: **Kouji Narita**, Tokyo (JP)

(73) Assignee: **TOMY COMPANY, LTD.**, Tokyo (JP)

(**) Term: **15 Years**

(21) Appl. No.: **29/620,132**

(22) Filed: **Jul. 15, 2016**

(30) **Foreign Application Priority Data**

Mar. 15, 2016 (JP) 2016-005665

(51) **LOC (12) Cl.** **21-01**

(52) **U.S. Cl.**
USPC **D21/460**

(58) **Field of Classification Search**
USPC D21/436, 441, 443, 444, 455, 460-464;
446/236-266

CPC A63H 1/00-32; A63F 9/16
See application file for complete search history.

(56) **References Cited**

U.S. PATENT DOCUMENTS

D608,842 S * 1/2010 Nishimoto D21/460
D614,245 S * 4/2010 Ujita D21/460

(Continued)

FOREIGN PATENT DOCUMENTS

CA 2857579 A1 * 6/2013 A63H 1/18
CN 3584728 * 11/2006

(Continued)

Primary Examiner — Catherine A Tuttle

(74) *Attorney, Agent, or Firm* — Staas & Halsey LLP

(57) **CLAIM**

The ornamental design for a spinning top toy, as show and described.

FIG. 1 is a front view of the spinning top toy showing our design;

FIG. 2 is a left side view thereof;

FIG. 3 is a rear view thereof;

FIG. 4 is right side view thereof;

FIG. 5 is a top view thereof;

FIG. 6 is a bottom view thereof;

FIG. 7 is a perspective view thereof;

FIG. 8 is a front elevational view of the transparent portion of the design shown in isolation for clarity of disclosure;

FIG. 9 is a top plan view of the top surface of the transparent portion shown in isolation for clarity of disclosure.

FIG. 10 is a front view of the spinning top toy, corresponding to FIG. 1 but showing contour shading to the exterior parts and with the interior parts omitted, for clarity of disclosure;

FIG. 11 is a left side view thereof corresponding to FIG. 2 but showing contour shading to the exterior parts and with the interior parts omitted, for clarity of disclosure;

FIG. 12 is a rear view thereof corresponding to FIG. 3 but showing contour shading to the exterior parts and with the interior parts omitted, for clarity of disclosure;

FIG. 13 is right side view thereof corresponding to FIG. 4 but showing contour shading to the exterior parts and with the interior parts omitted, for clarity of disclosure;

FIG. 14 is a top view thereof corresponding to FIG. 5 but showing contour shading to the exterior parts and with the interior parts omitted, for clarity of disclosure;

FIG. 15 is a bottom view thereof corresponding to FIG. 6 but showing contour shading to the exterior parts and with the interior parts omitted, for clarity of disclosure;

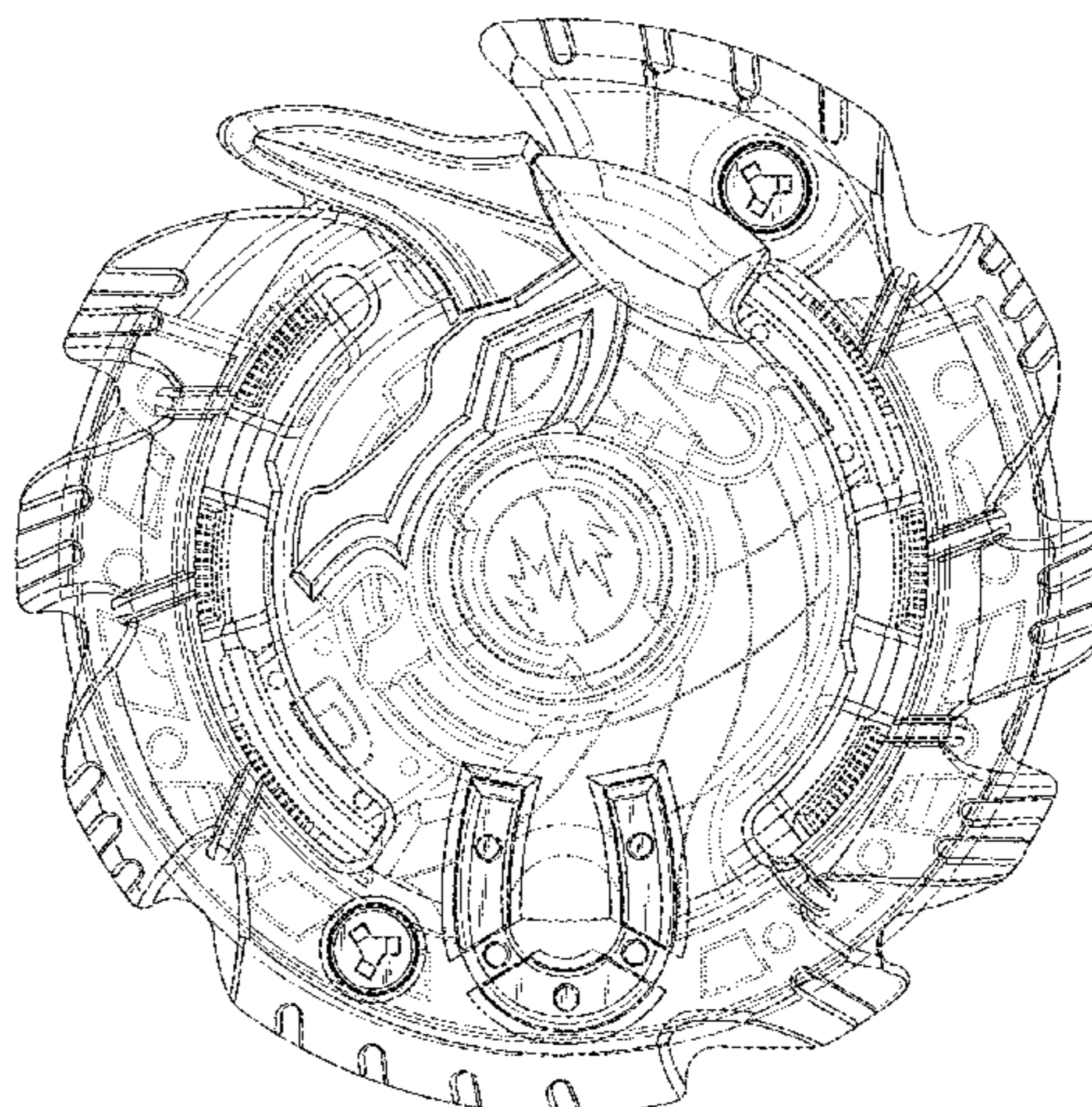
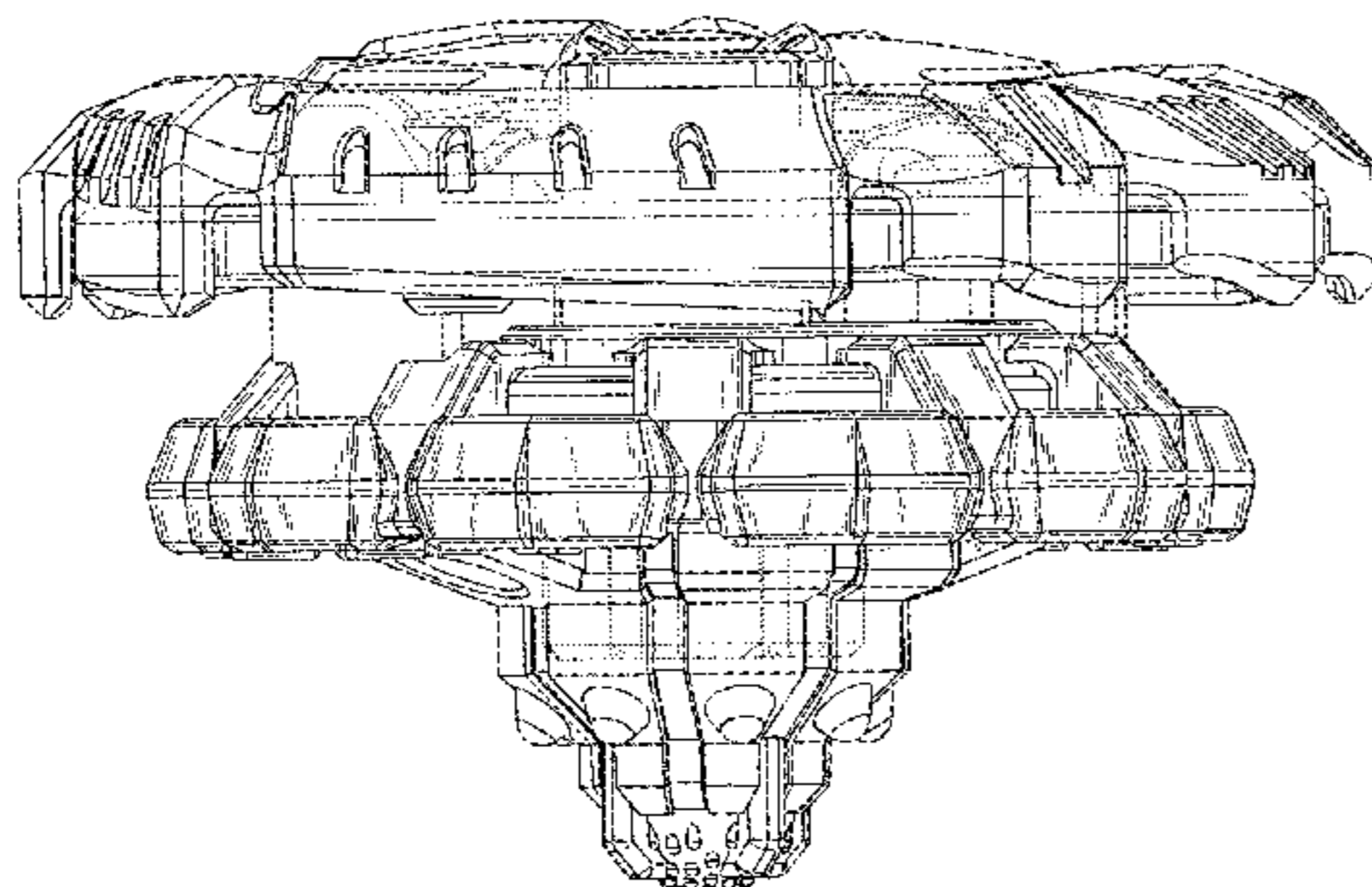
FIG. 16 is a perspective view thereof corresponding to FIG. 7 but showing contour shading to the exterior parts and with the interior parts omitted, for clarity of disclosure;

FIG. 17 is a front elevational view corresponding to FIG. 8, but showing contour shading to the exterior parts and with the interior parts omitted, for clarity of disclosure; and,

FIG. 18 is a top plan view corresponding to FIG. 9 and showing contour shading to the external parts, for clarity of disclosure.

The portions of the spinning top toy shown in broken lines form no part of the claimed design.

1 Claim, 18 Drawing Sheets



(56)

References Cited

U.S. PATENT DOCUMENTS

D615,602 S * 5/2010 Nishimoto D21/460
 D629,847 S * 12/2010 Ujita D21/460
 D629,848 S * 12/2010 Ujita D21/460
 D639,348 S * 6/2011 Ujita D21/460
 D639,869 S * 6/2011 Nishimoto D21/460
 9,802,134 B2 * 10/2017 Cai A63H 1/02
 9,849,393 B2 * 12/2017 Muraki A63H 1/00
 9,849,395 B1 * 12/2017 Muraki A63H 1/02
 9,914,061 B2 * 3/2018 Cai A63H 33/26
 D834,101 S * 11/2018 Horikoshi D21/460
 D834,102 S * 11/2018 Muraki D21/460

FOREIGN PATENT DOCUMENTS

CN 301320892 * 8/2010
 CN 301446026 * 1/2011
 EM 003047489-0008 * 4/2016
 EM 003253442-0006 * 7/2016
 JP 3154824 U * 10/2009 A63H 1/16
 JP 3160638 U * 7/2010 A63H 1/00
 JP 3160657 U * 7/2010 A63H 1/00
 JP D1538615 * 11/2015
 JP 303533300 * 12/2015
 JP D1549781 * 5/2016
 JP D1557221 * 8/2016
 JP 6111365 B1 * 4/2017 A63H 1/02

* cited by examiner

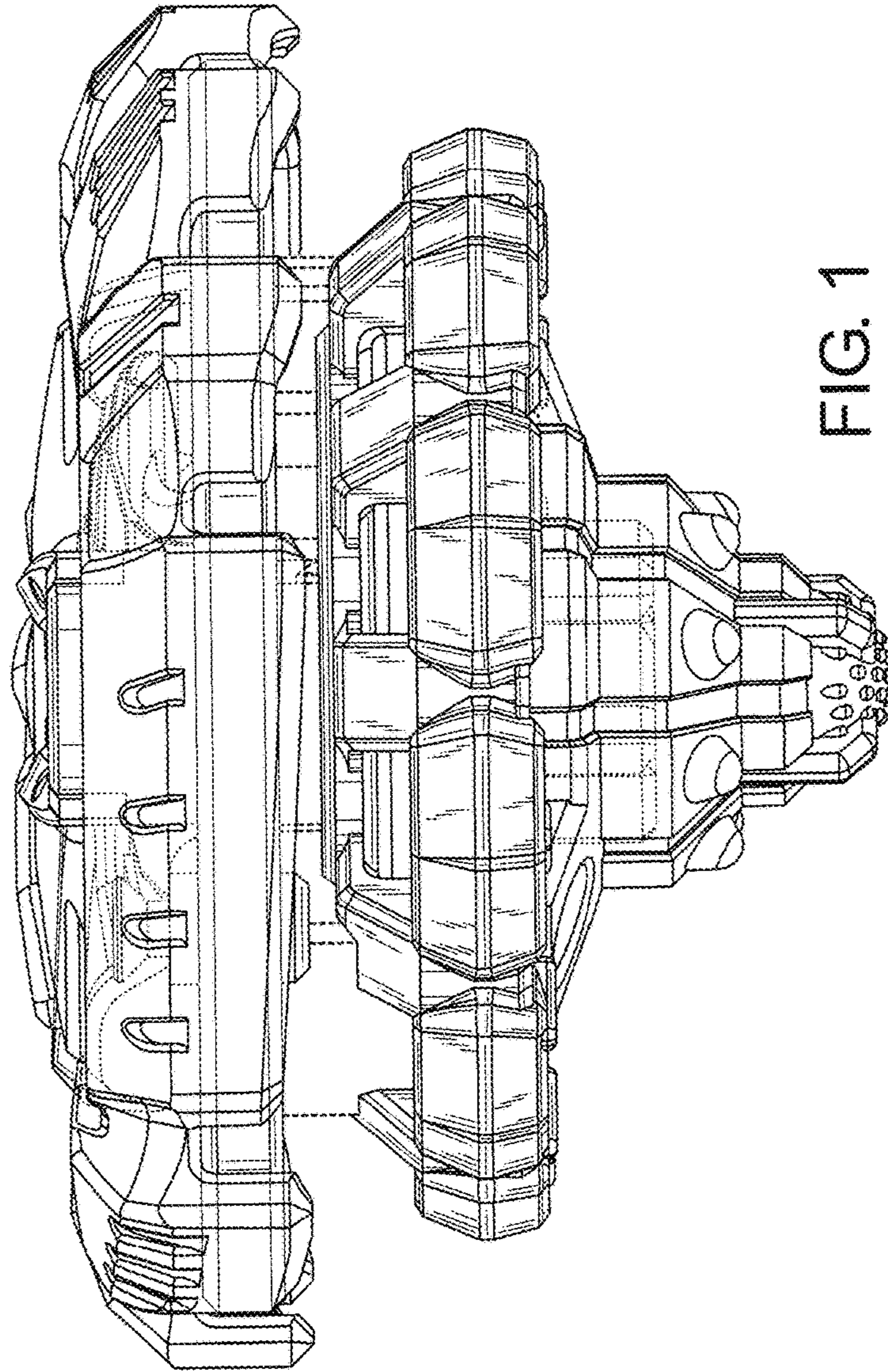


FIG. 1

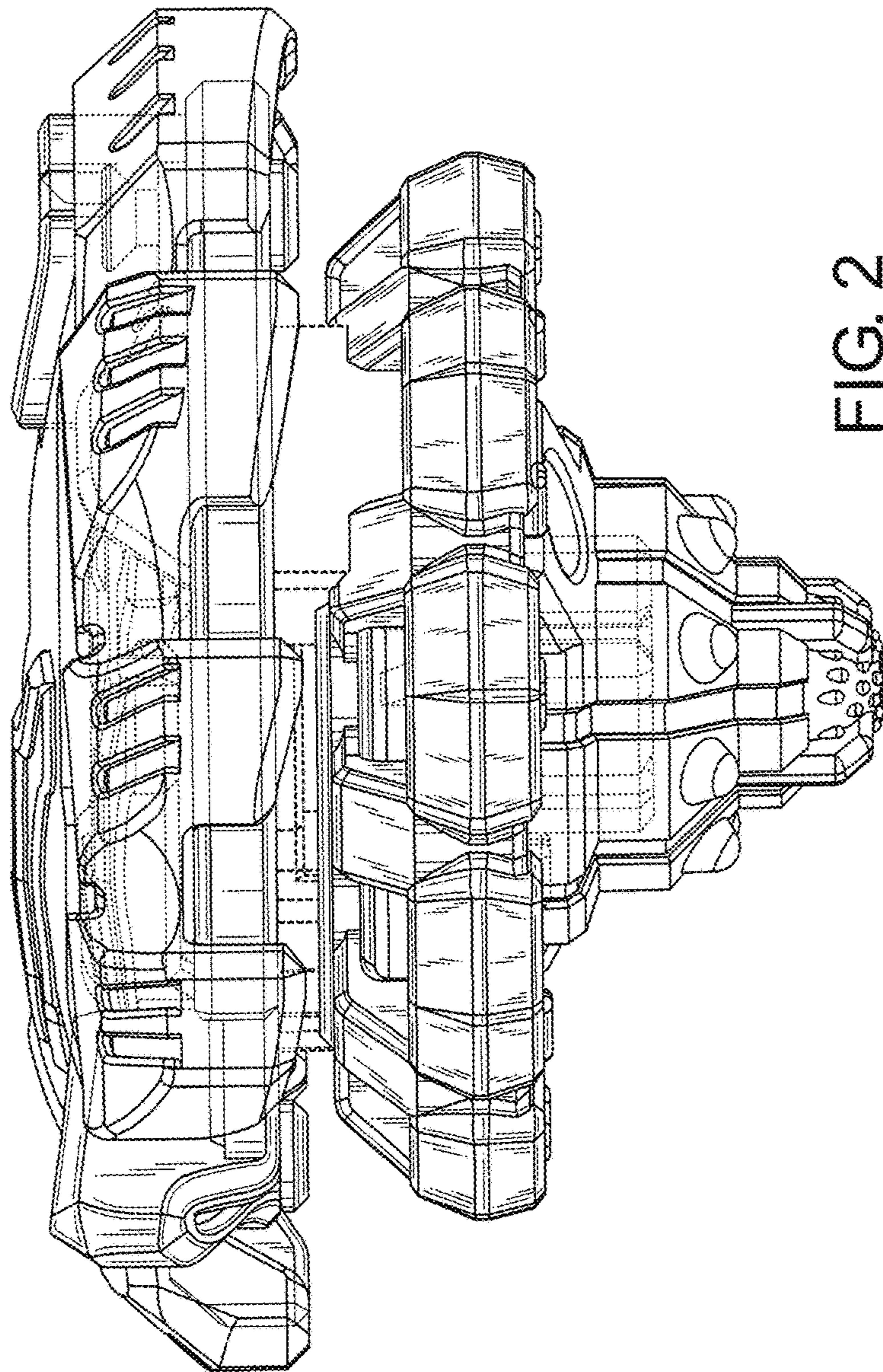


FIG. 2

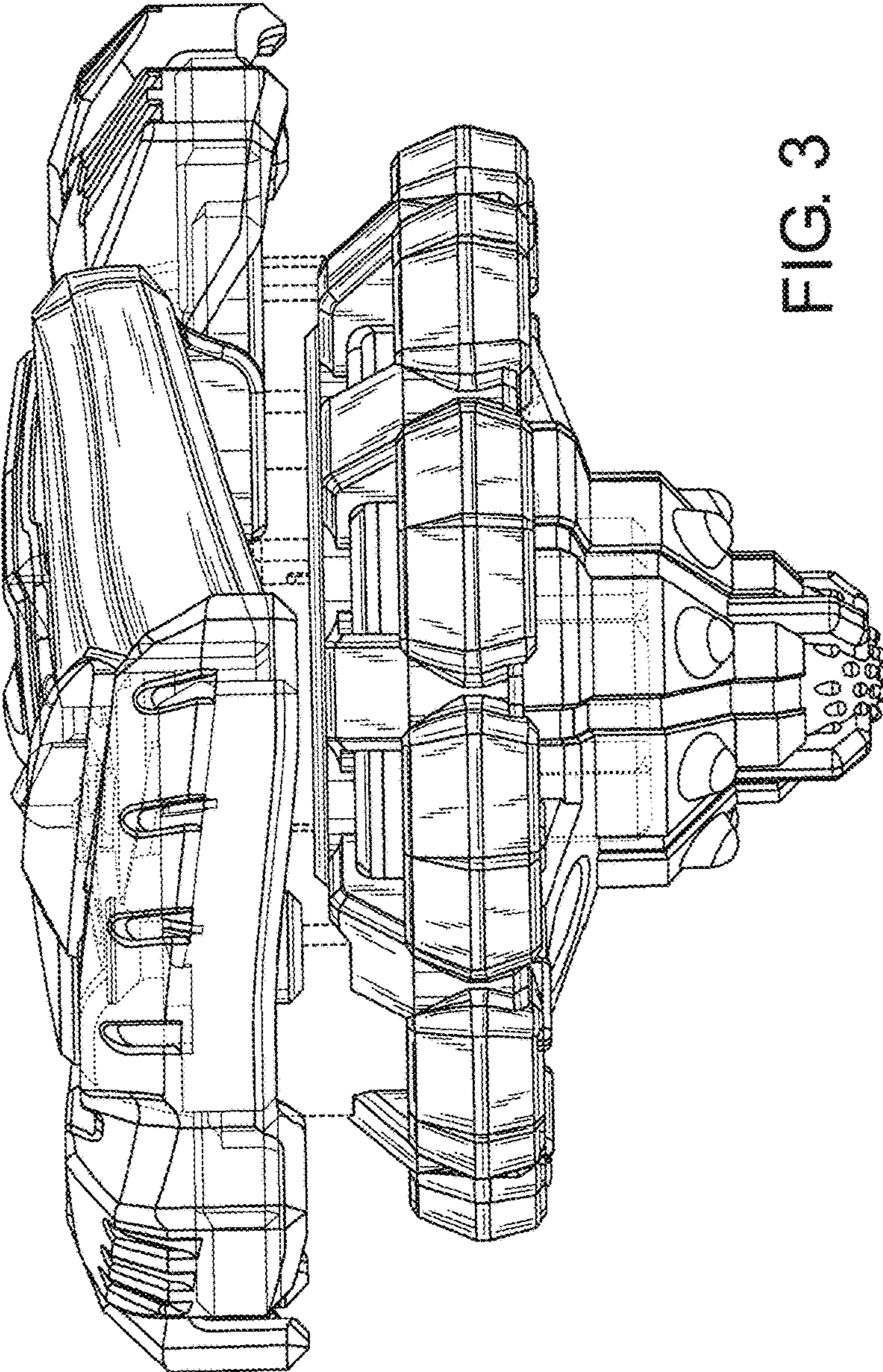


FIG. 3

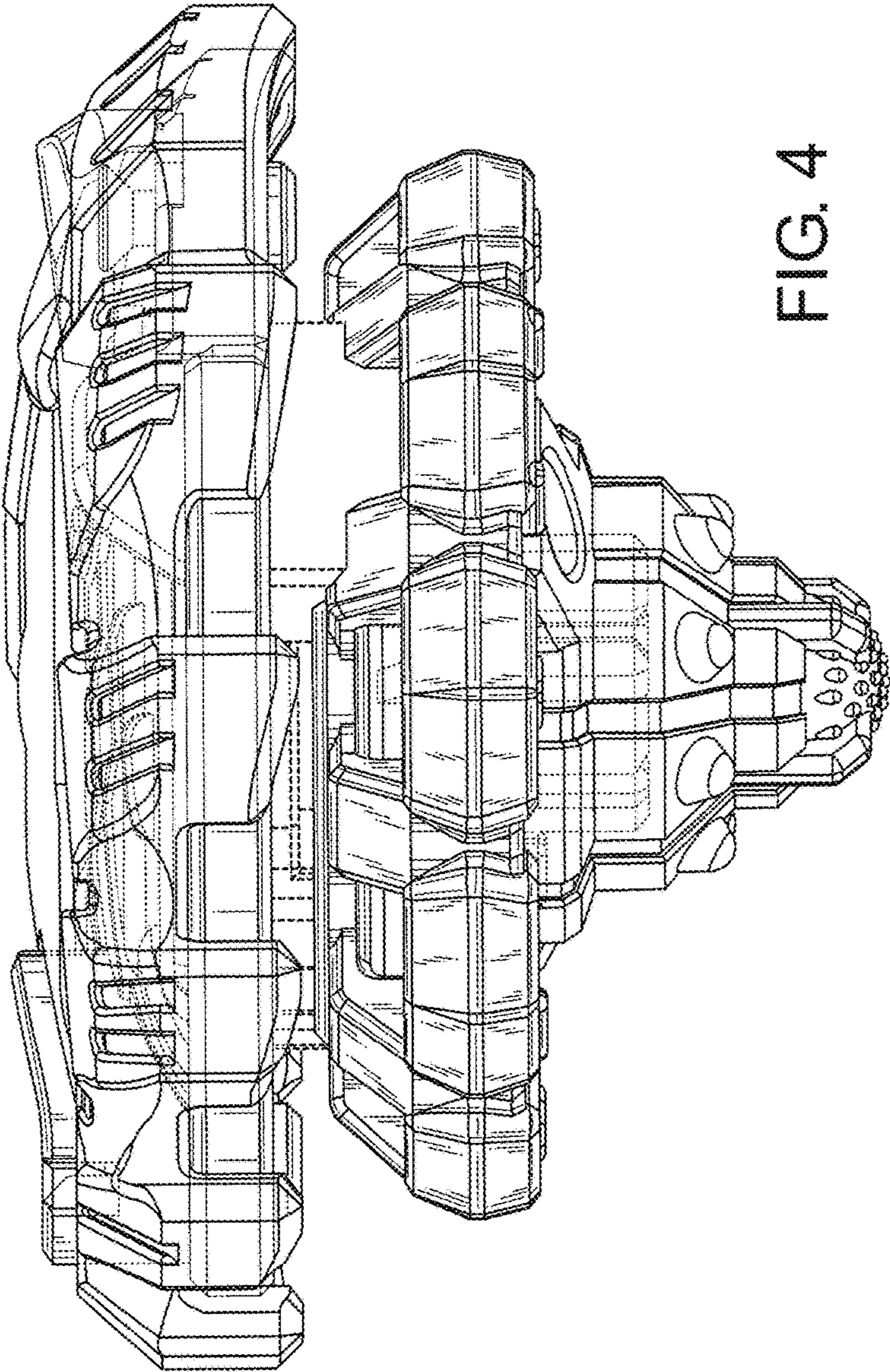


FIG. 4

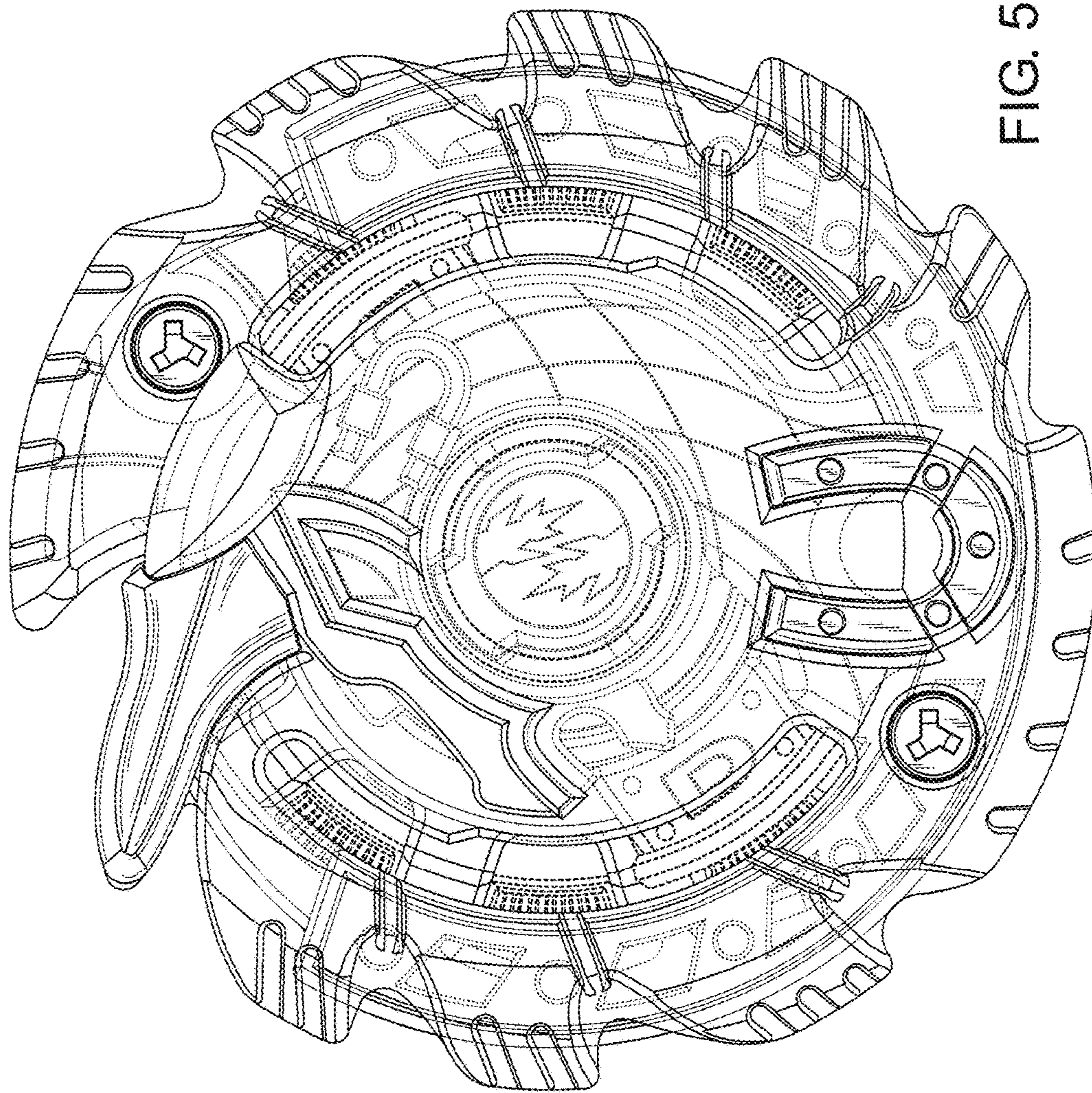


FIG. 5

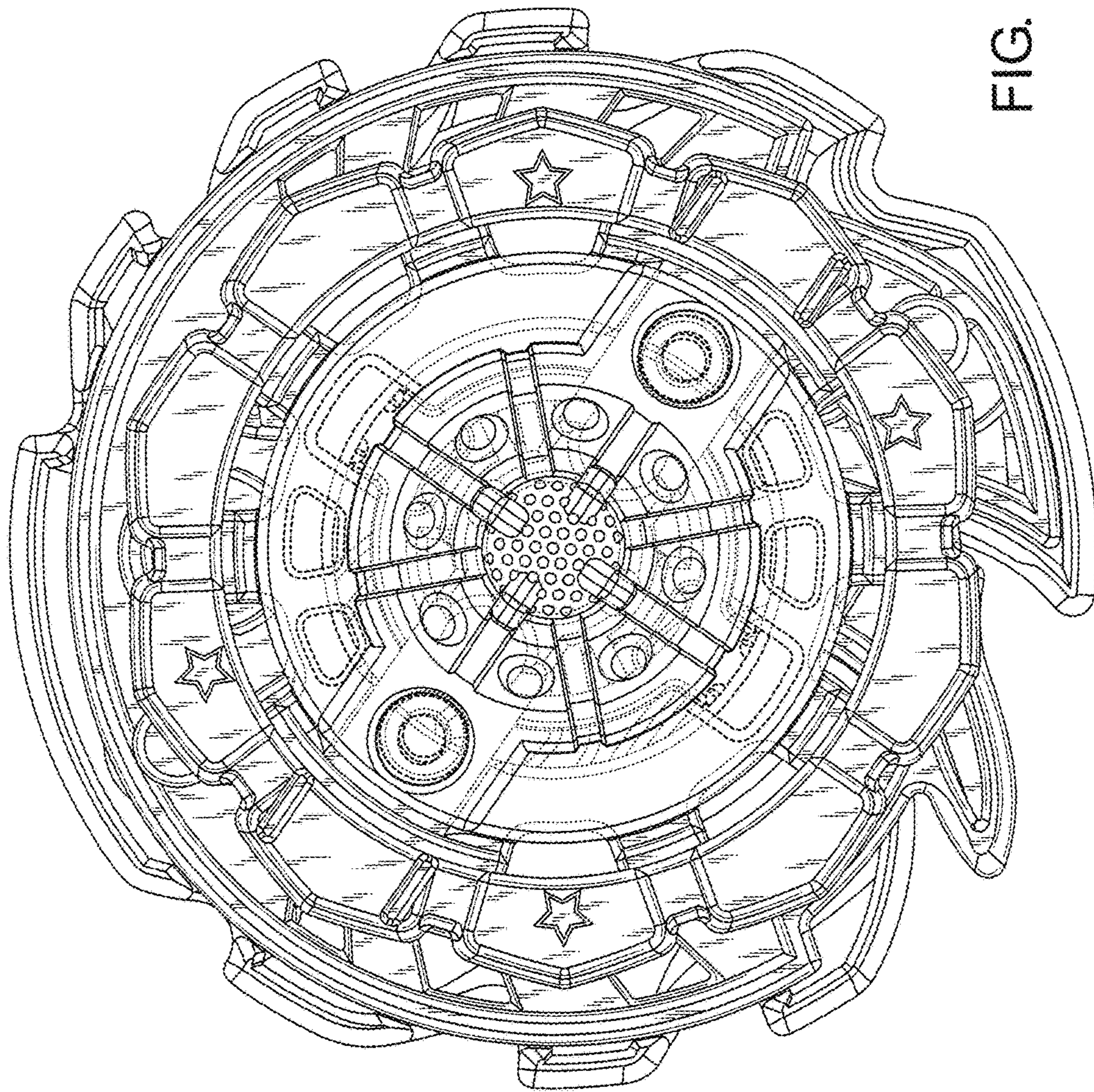


FIG. 6

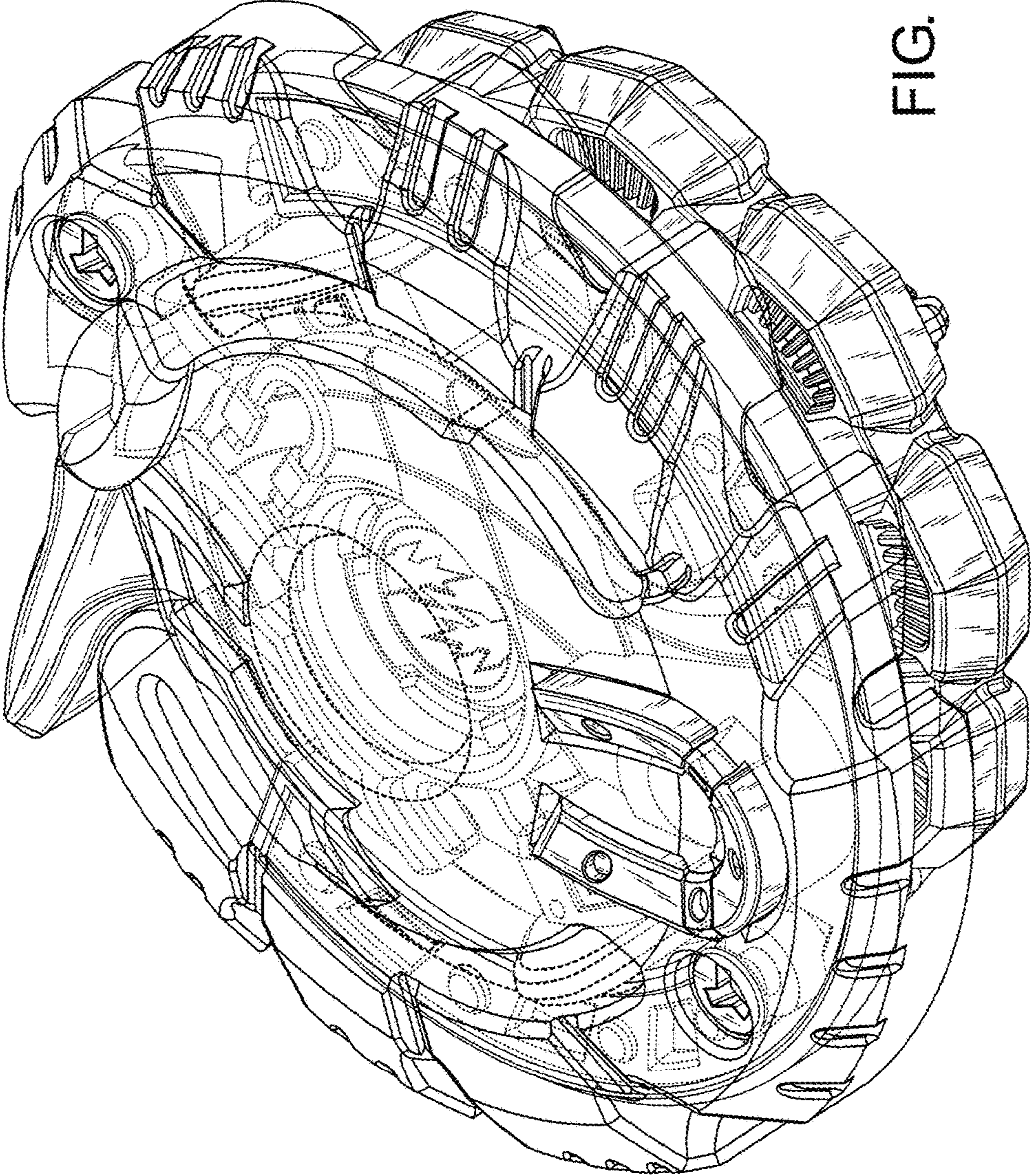


FIG. 7

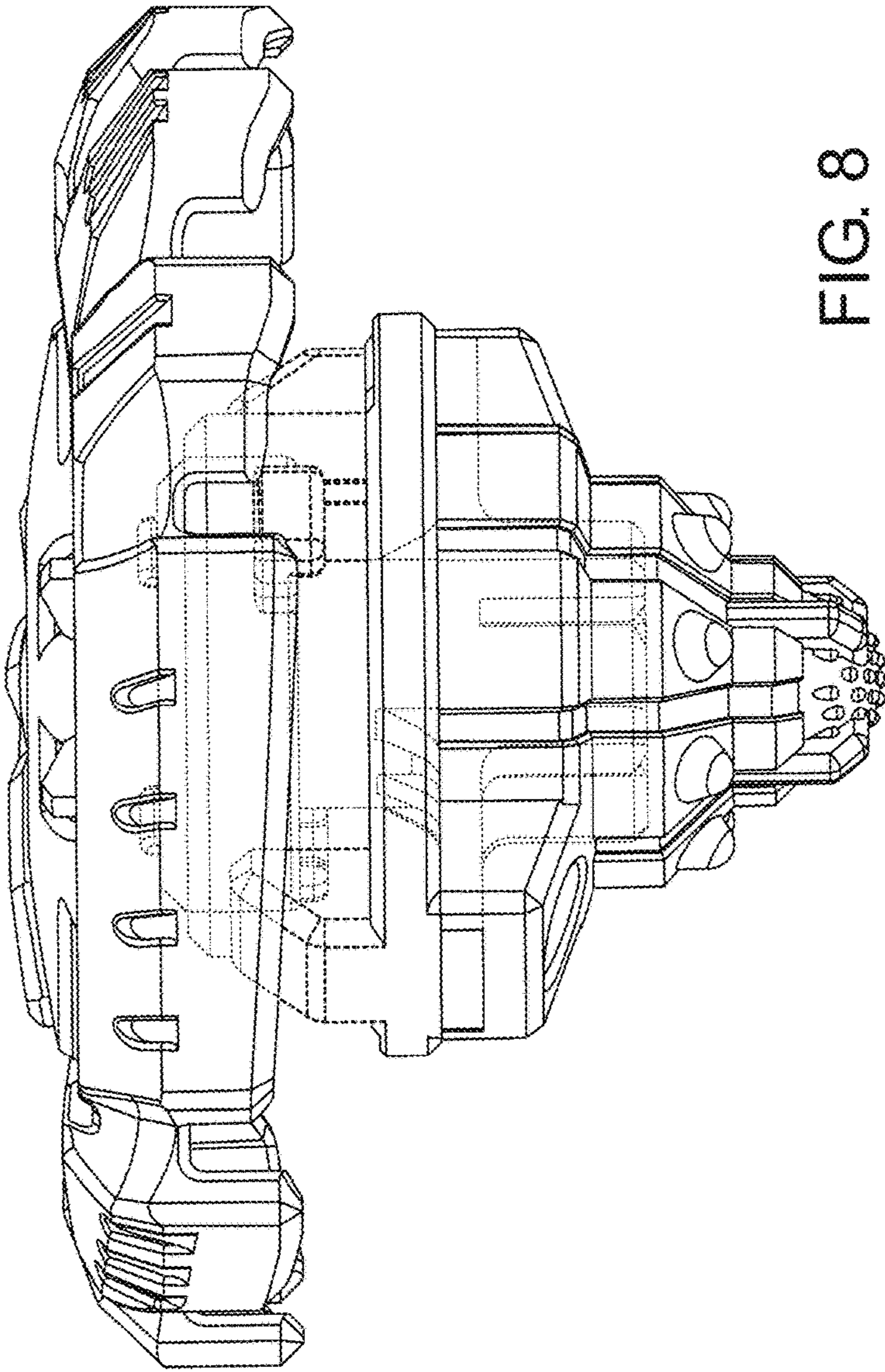


FIG. 8

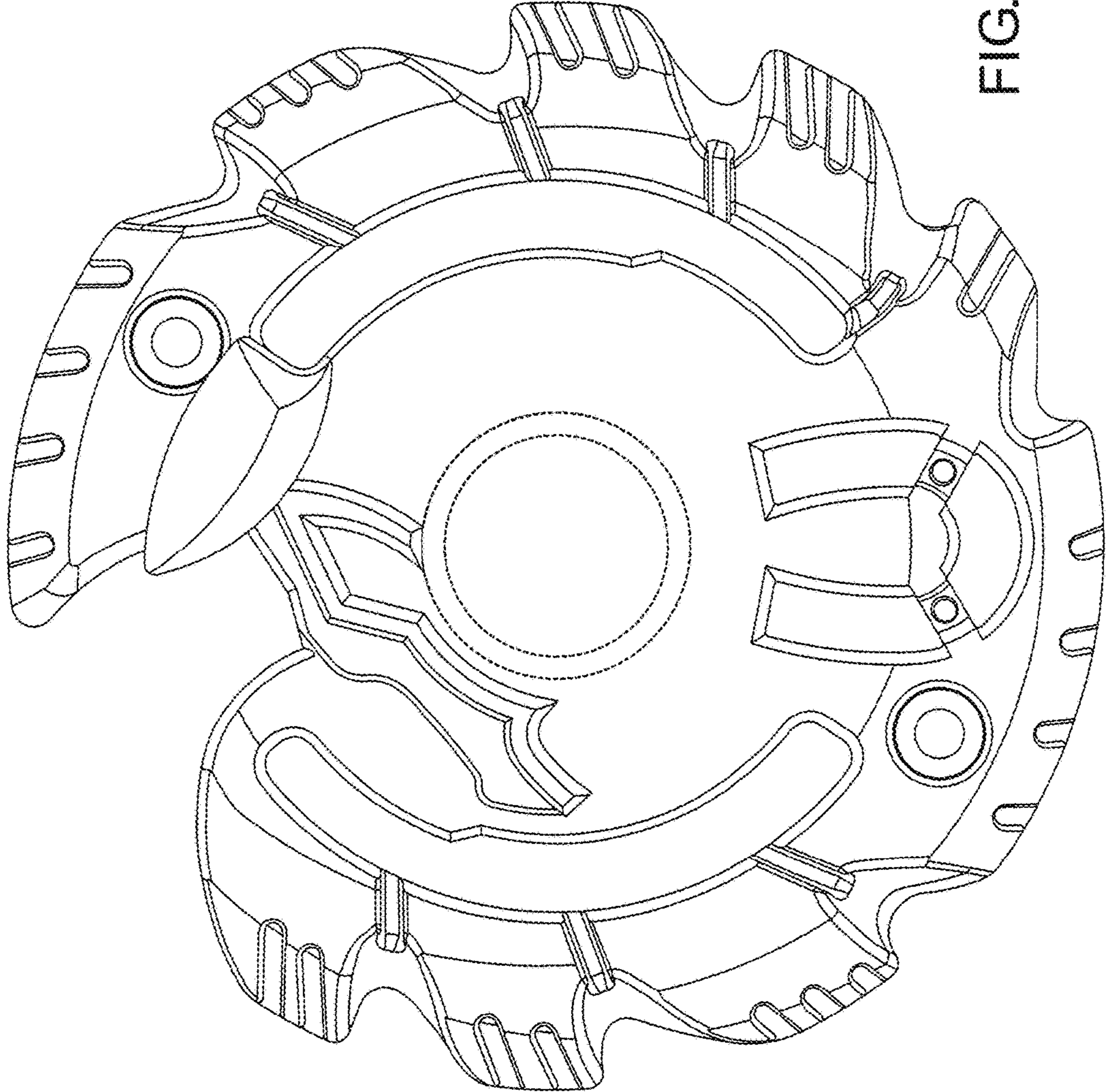


FIG. 9

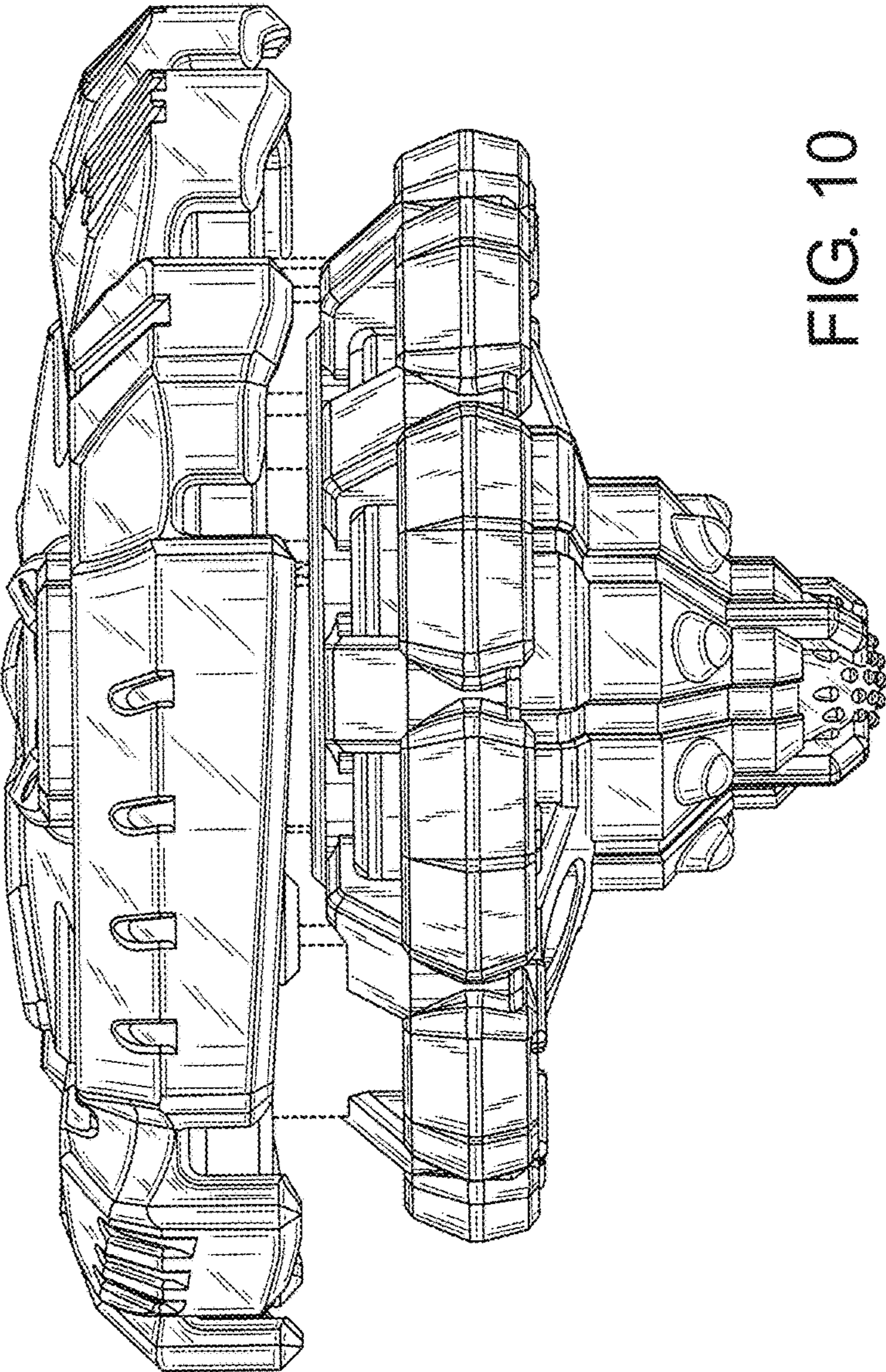


FIG. 10

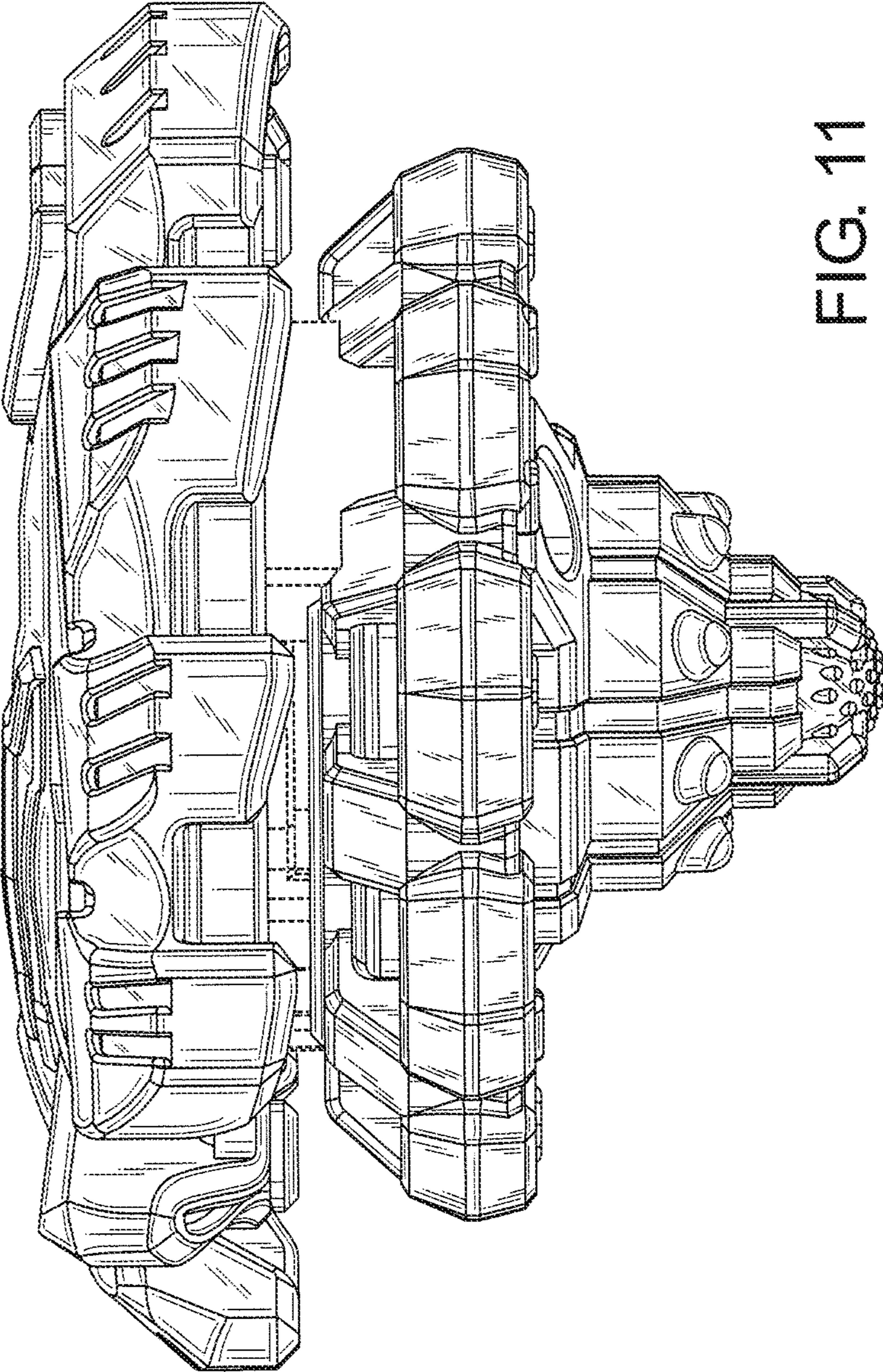


FIG. 11

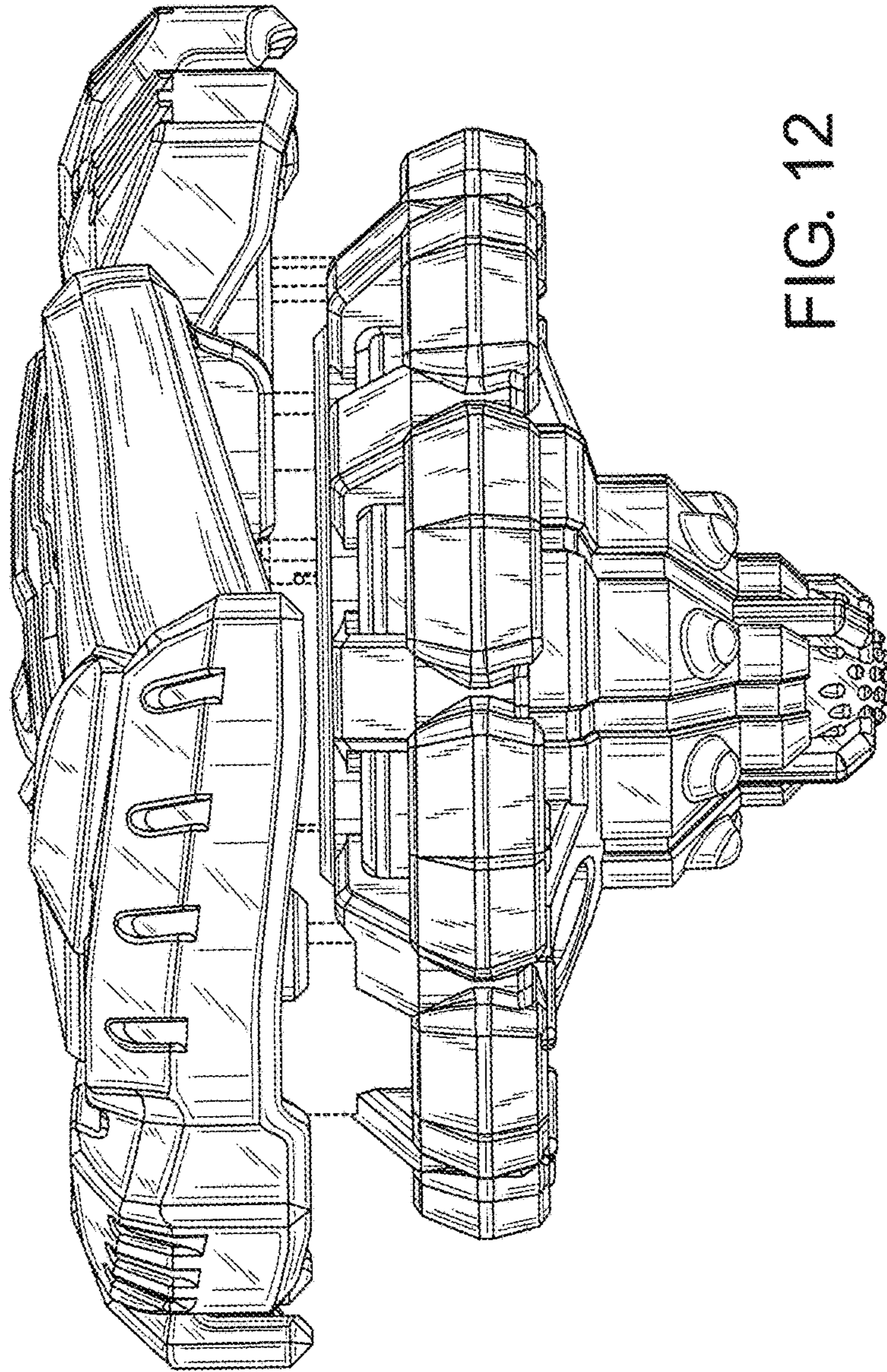


FIG. 12

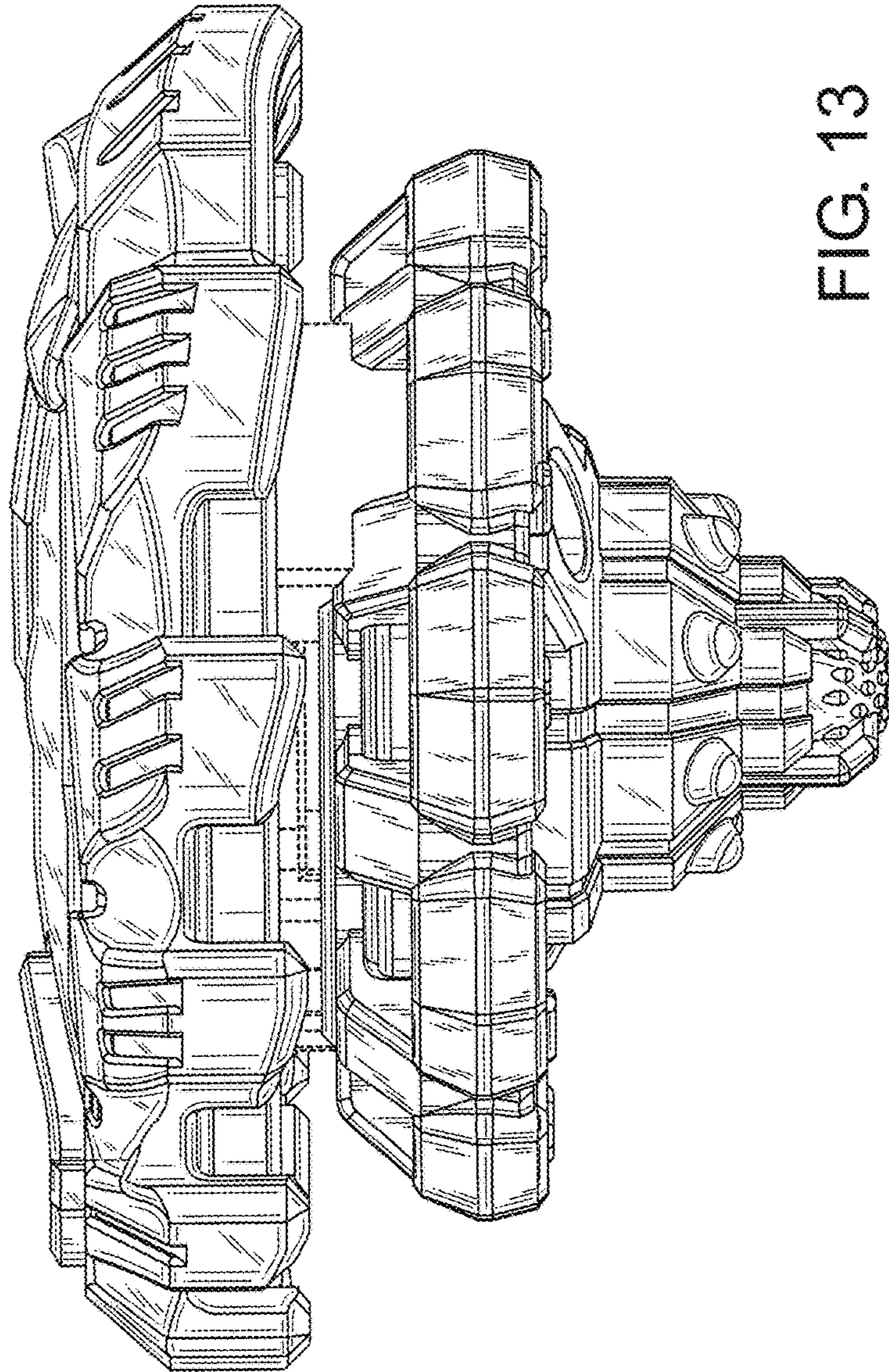


FIG. 13

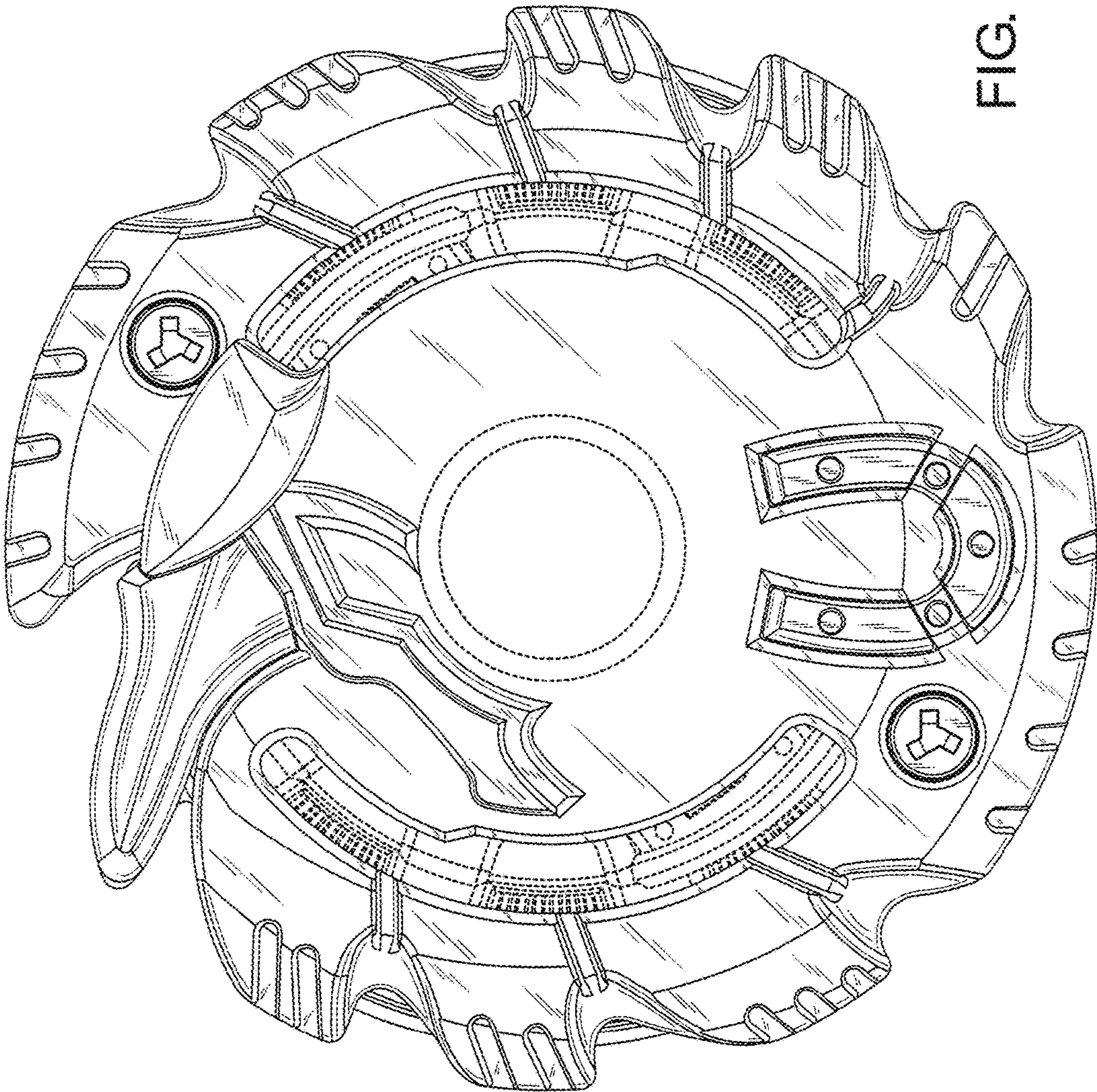


FIG. 14

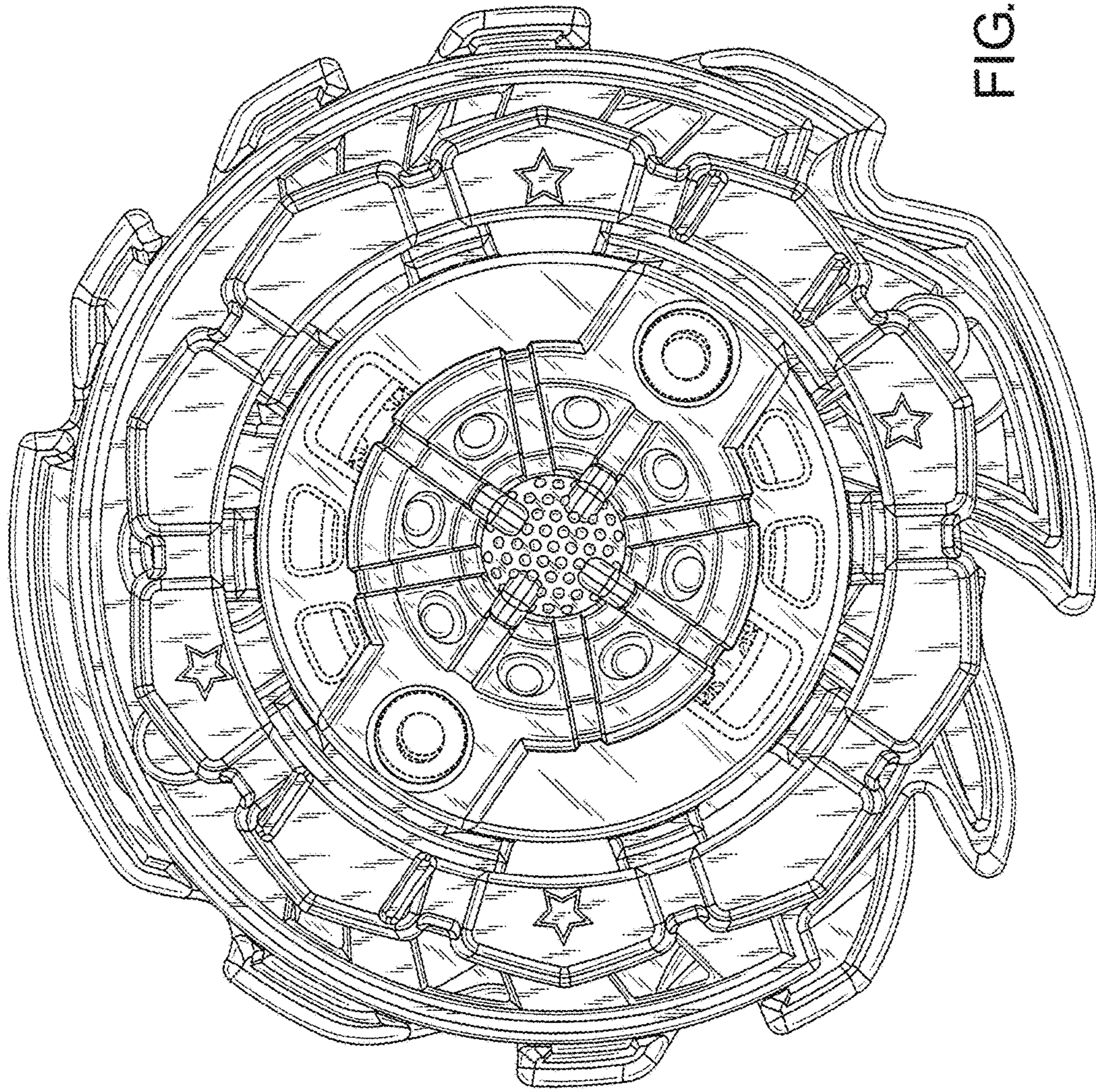


FIG. 15

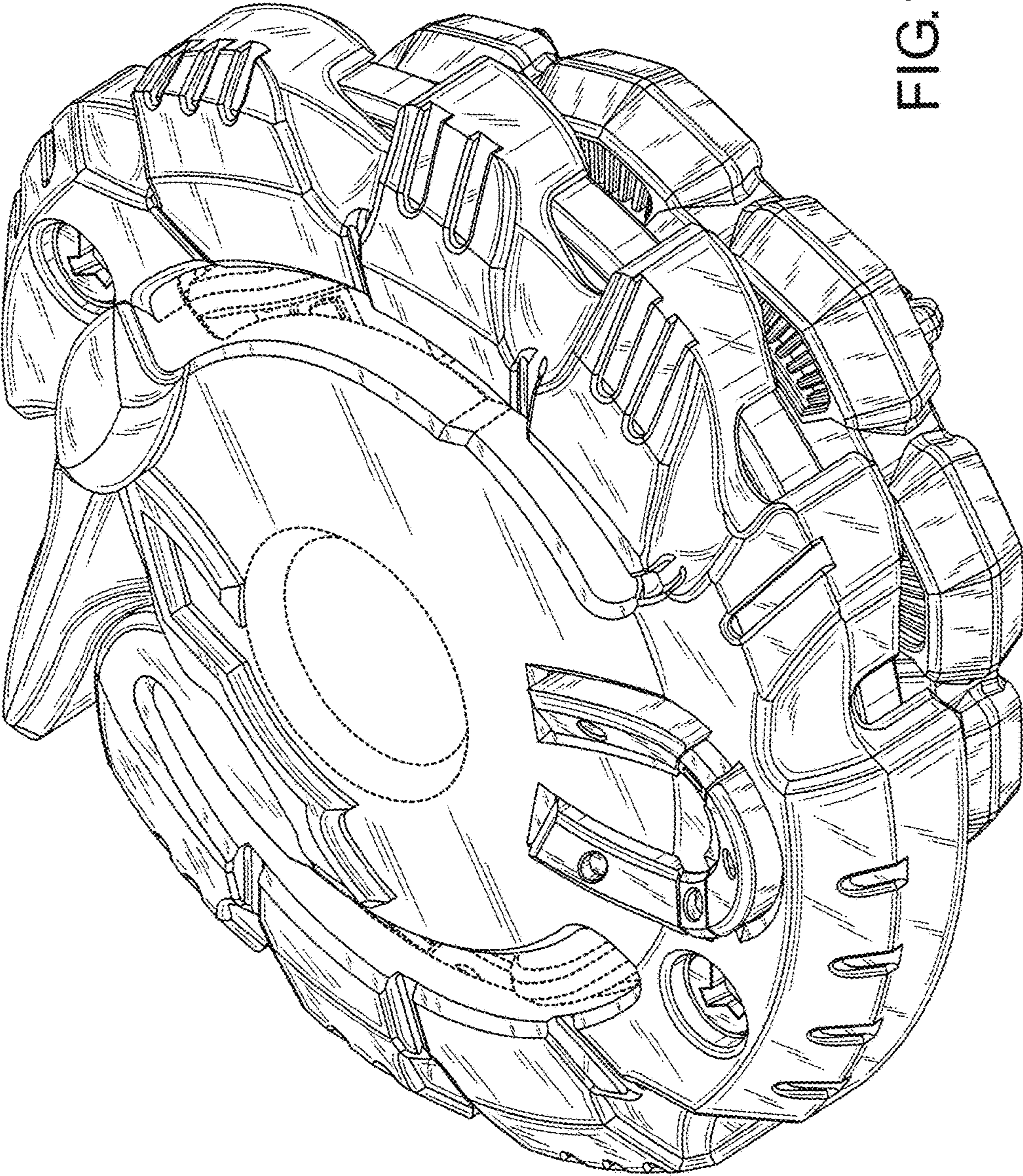


FIG.16

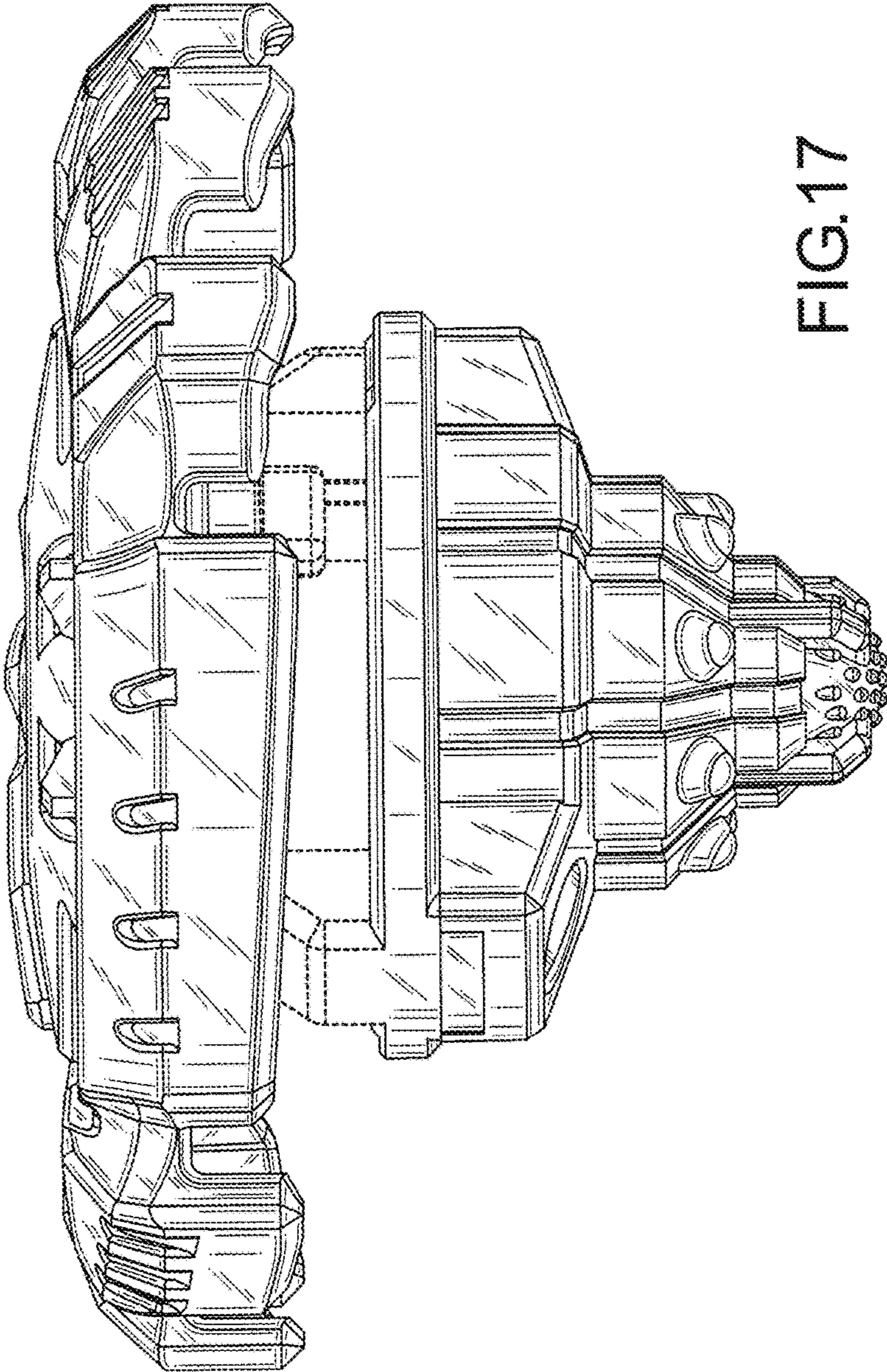


FIG.17

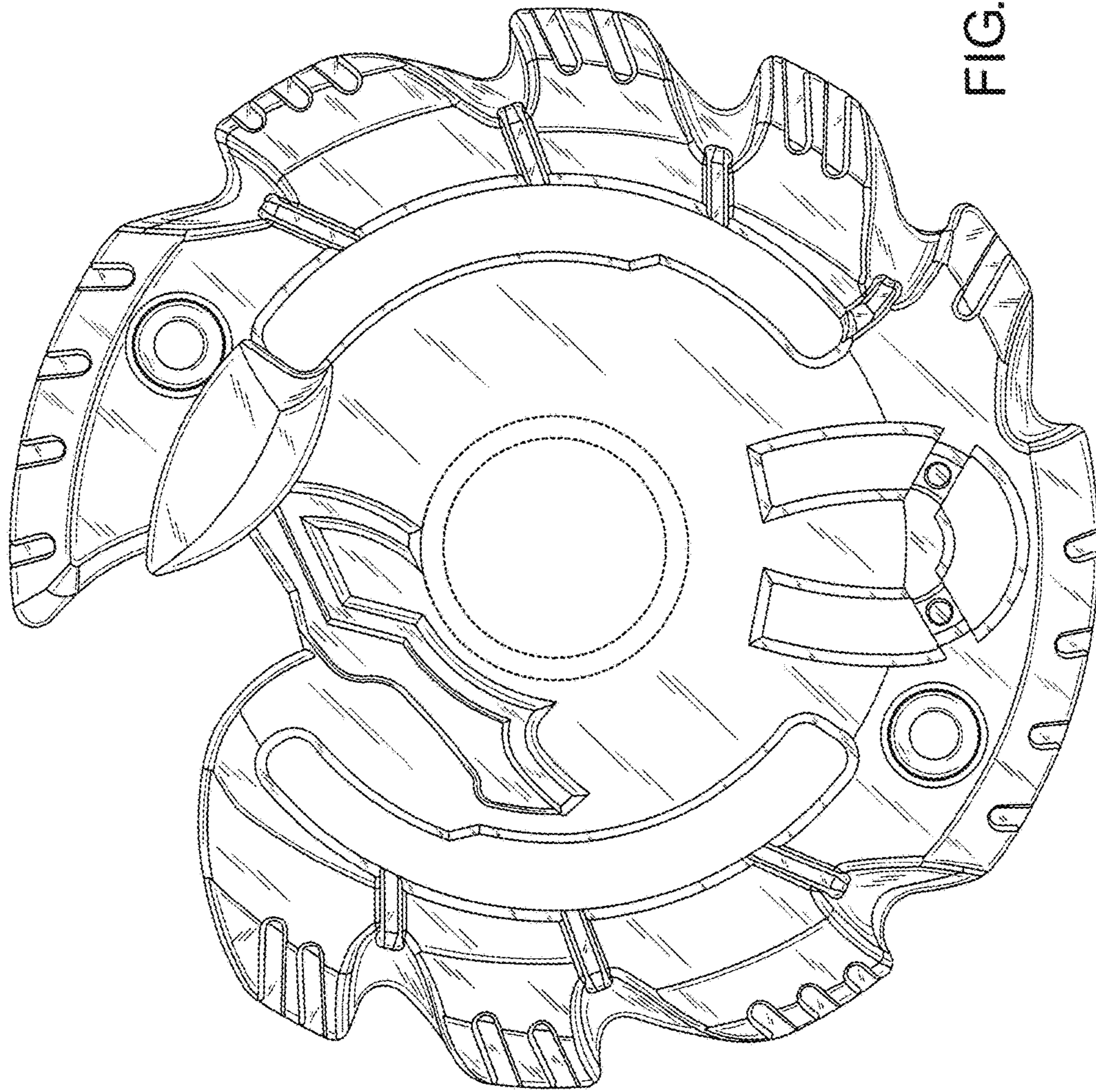


FIG.18