



US00D857105S

(12) **United States Design Patent** (10) **Patent No.:** **US D857,105 S**
Zhang (45) **Date of Patent:** **** Aug. 20, 2019**

(54) **QUADCOPTER TOY**
(71) Applicant: **Jiejia Zhang**, Guangdong (CN)
(72) Inventor: **Jiejia Zhang**, Guangdong (CN)
(**) Term: **15 Years**
(21) Appl. No.: **29/633,298**
(22) Filed: **Jan. 12, 2018**

(30) **Foreign Application Priority Data**
Aug. 28, 2017 (CN) 2017 3 0401123
(51) **LOC (12) Cl.** **21-01**
(52) **U.S. Cl.**
USPC **D21/441**; D12/16.1
(58) **Field of Classification Search**
USPC D12/16.1, 319-345, 1; D21/436, 438,
D21/441, 442, 443, 444, 447, 448, 449,
D21/450, 451, 452, 454; D30/160
CPC ... B64C 29/00; B64C 2201/141; B64C 27/24;
B64C 27/30; B64C 39/04; B64C 39/00;
B64C 27/006; A63H 33/18; A63B 19/02;
B64G 9/00
See application file for complete search history.

(56) **References Cited**
U.S. PATENT DOCUMENTS
D197,038 S * 12/1963 Howard D12/329
D628,658 S * 12/2010 Wurm D21/442
D751,490 S * 3/2016 Chen D12/16.1
D759,764 S * 6/2016 Lai D12/16.1
D760,848 S * 7/2016 McKenna D12/16.1
D763,134 S * 8/2016 Wang D12/16.1
D767,043 S * 9/2016 Morrison D12/16.1
D768,539 S * 10/2016 Lee D12/16.1
D768,789 S * 10/2016 Fargeau D12/16.1
D772,991 S * 11/2016 Caubel D12/16.1
D777,263 S * 1/2017 Lavagen D12/16.1
D782,365 S * 3/2017 Hung D12/16.1

D782,366 S * 3/2017 Xiao D12/16.1
D784,202 S * 4/2017 Park D12/16.1
D784,854 S * 4/2017 Huang D12/16.1
D795,741 S * 8/2017 Li D12/16.1
D795,742 S * 8/2017 Li D12/16.1
D795,743 S * 8/2017 Li D12/16.1
D795,784 S * 8/2017 Guo D12/328
D795,967 S * 8/2017 Haley D12/16.1
D797,602 S * 9/2017 Li D12/16.1
(Continued)

OTHER PUBLICATIONS

S9W Foldable Drone by Drone et modelisme on YouTube. dated Nov. 14, 2017. found online [Nov. 13, 2018] <https://www.youtube.com/watch?v=4XlsizTN7fl>.*

(Continued)

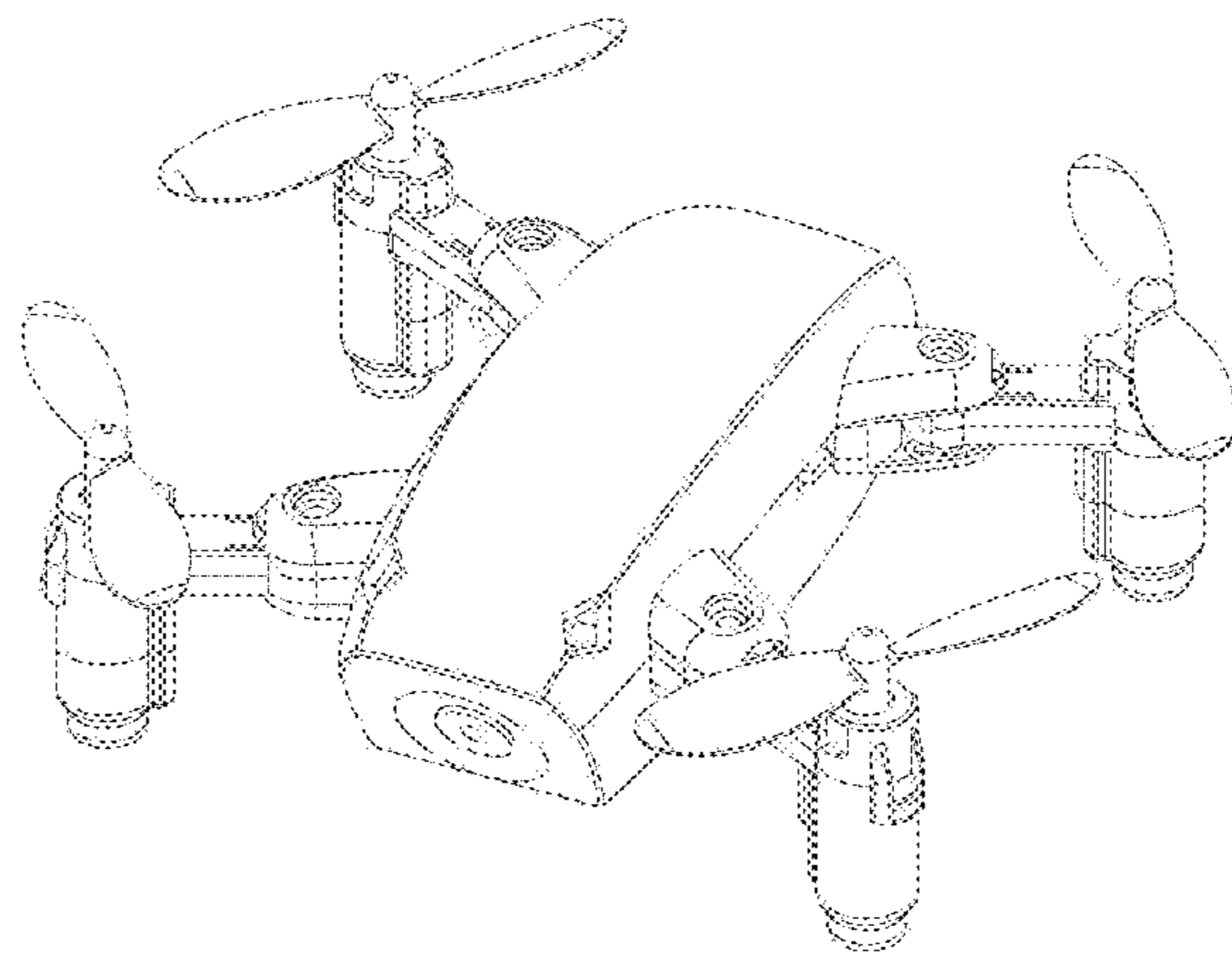
Primary Examiner — Marissa J Cash
(74) *Attorney, Agent, or Firm* — Muncy, Geissler, Olds & Lowe, P.C.

(57) **CLAIM**
The ornamental design for a quadcopter toy, as shown and described.

DESCRIPTION

FIG. 1 is a Perspective view of a quadcopter toy showing my new design;
FIG. 2 is a Front elevational view thereof;
FIG. 3 is a Rear elevational view thereof;
FIG. 4 is a Left side view thereof;
FIG. 5 is a Right side view thereof;
FIG. 6 is a Top plan view thereof; and,
FIG. 7 is a Bottom plan view thereof.
Broken lines immediately adjacent claimed surfaces represent boundaries of the claim and form no part thereof; all other broken lines depict unclaimed environmental subject matter and form no part of the claims.

1 Claim, 7 Drawing Sheets



(56)

References Cited

U.S. PATENT DOCUMENTS

D798,961 S * 10/2017 Li D21/441
 D801,224 S * 10/2017 Li D12/16.1
 D803,098 S * 11/2017 Lee D12/16.1
 D803,328 S * 11/2017 Lee D21/441
 D805,425 S * 12/2017 Hanscom D11/202
 D805,431 S * 12/2017 Li D12/16.1
 D806,606 S * 1/2018 Morrison D12/16.1
 D809,992 S * 2/2018 Hu D12/328
 D813,723 S * 3/2018 Ahn D12/16.1
 D813,724 S * 3/2018 Hu D12/16.1
 D814,970 S * 4/2018 Chen D12/16.1
 D814,971 S * 4/2018 Huang D12/16.1
 D814,972 S * 4/2018 Ahn D12/16.1
 D814,973 S * 4/2018 Li D12/16.1
 D816,546 S * 5/2018 Wang D12/16.1
 D816,582 S * 5/2018 Liang D12/328
 D817,850 S * 5/2018 Xiao D12/328
 D818,872 S * 5/2018 Ho D12/16.1
 D818,874 S * 5/2018 Tian D12/16.1
 D819,749 S * 6/2018 Caubel D21/449
 D820,158 S * 6/2018 Jeong D12/16.1
 D821,263 S * 6/2018 Goldy D12/16.1
 D825,379 S * 8/2018 Gury D12/16.1
 D827,723 S * 9/2018 Barajas D21/442
 D828,222 S * 9/2018 Yu D12/16.1
 D830,476 S * 10/2018 Barse D21/491

2014/0117149 A1* 5/2014 Zhou A63H 27/12
 244/17.23
 2016/0375997 A1* 12/2016 Welsh B64C 39/024
 244/17.23
 2016/0376004 A1* 12/2016 Claridge B64C 19/00
 701/3
 2017/0101174 A1* 4/2017 Ou B64C 27/08
 2017/0113789 A1* 4/2017 Ou H02G 3/04
 2017/0174316 A1* 6/2017 Huddleston, Jr. B64C 11/00
 2017/0217599 A1* 8/2017 Peng B64C 25/08
 2017/0237948 A1* 8/2017 Quast B64C 39/02
 348/144
 2017/0247113 A1* 8/2017 Sanlerville B64C 27/08
 2017/0301109 A1* 10/2017 Chan G06T 7/75
 2017/0327222 A1* 11/2017 He B64C 1/06
 2017/0340176 A1* 11/2017 Liao A47L 1/02
 2018/0032087 A1* 2/2018 Line B64C 39/024
 2018/0208301 A1* 7/2018 Ye B64C 27/32
 2018/0281941 A1* 10/2018 Hutson B64C 29/0016

OTHER PUBLICATIONS

Broadream S9 Mini Foldable RC Drone RTF Red by geekbuying.
 earliest review date Jul. 20, 2018. found online [Nov. 13, 2018]
<https://www.geekbuying.com/item/BROADREAM-S9-Mini-Foldable-RC-Drone-RTF-Red-397600.html>.*

* cited by examiner

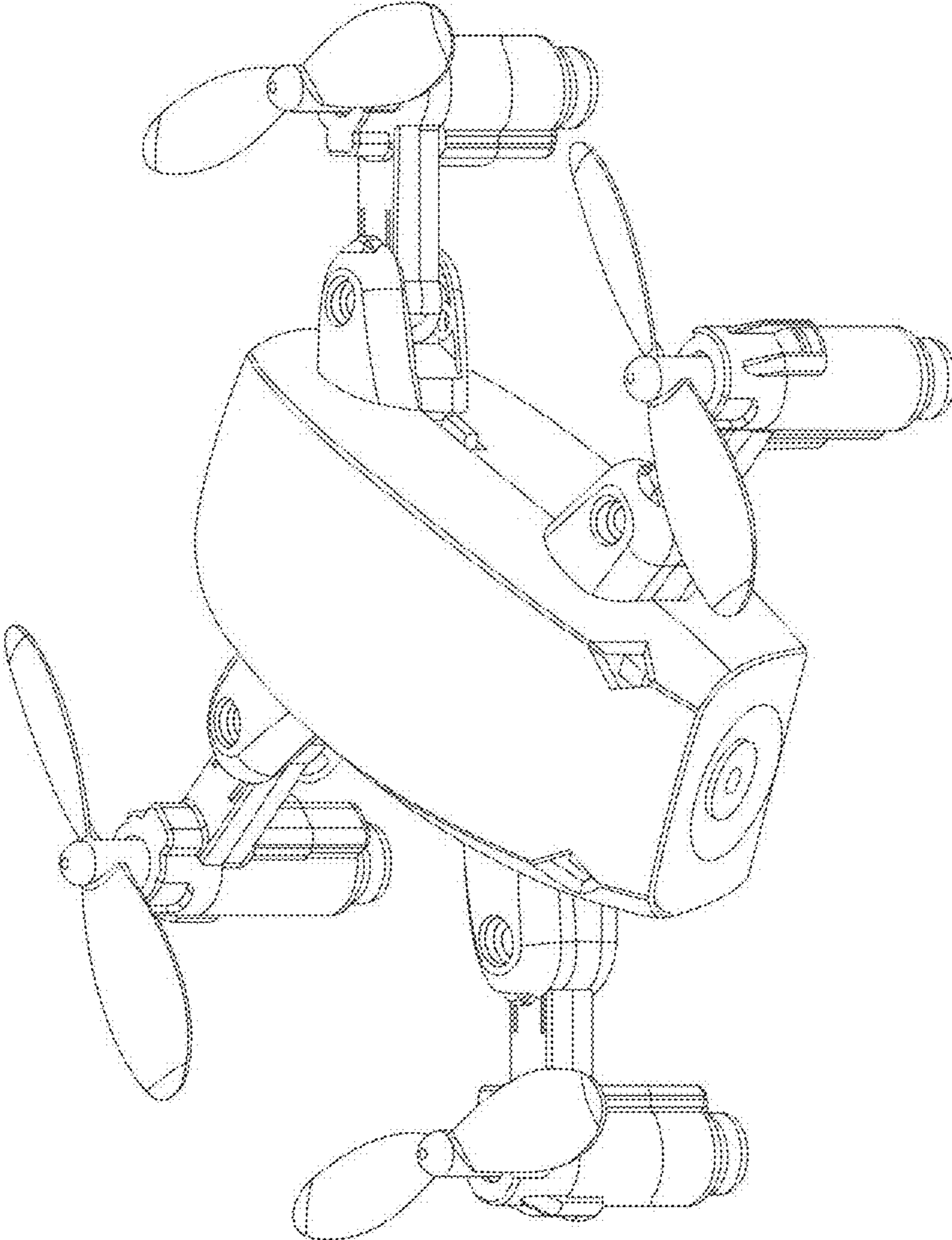


FIG. 1

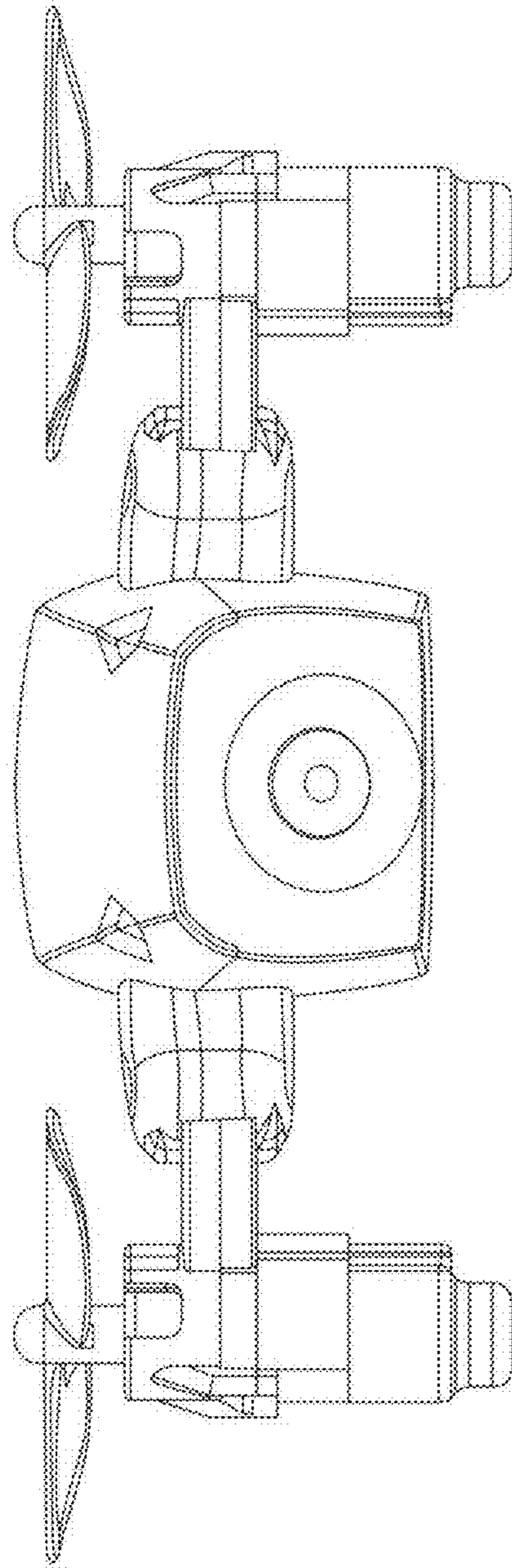


FIG. 2

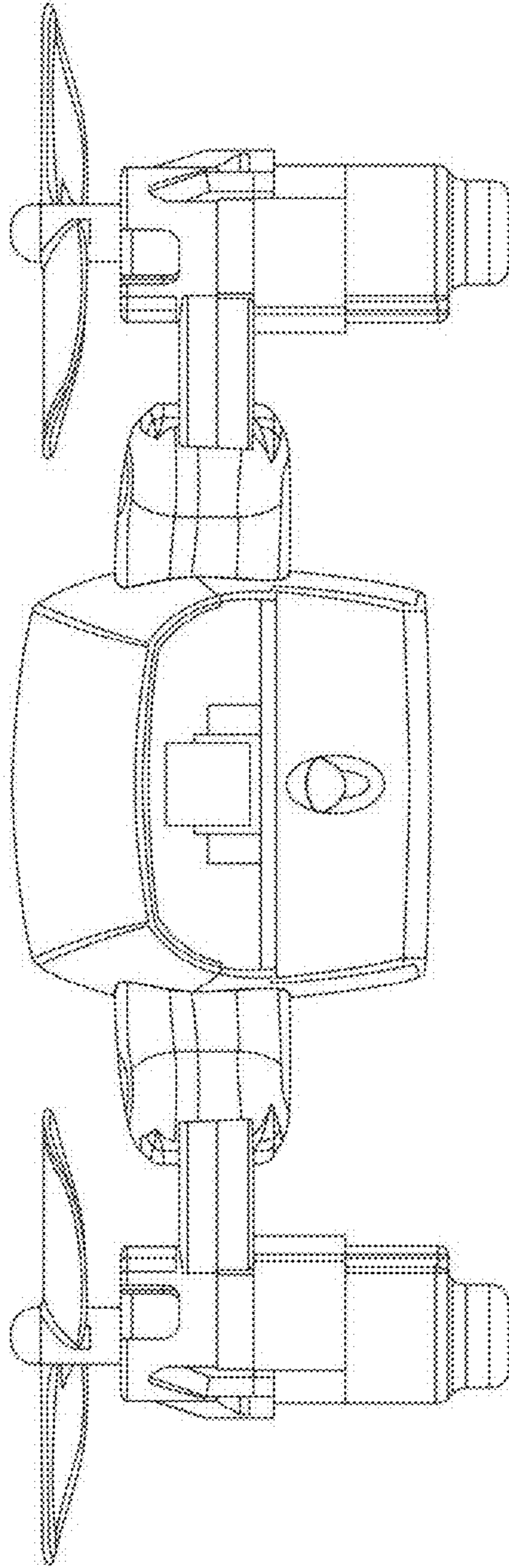


FIG. 3

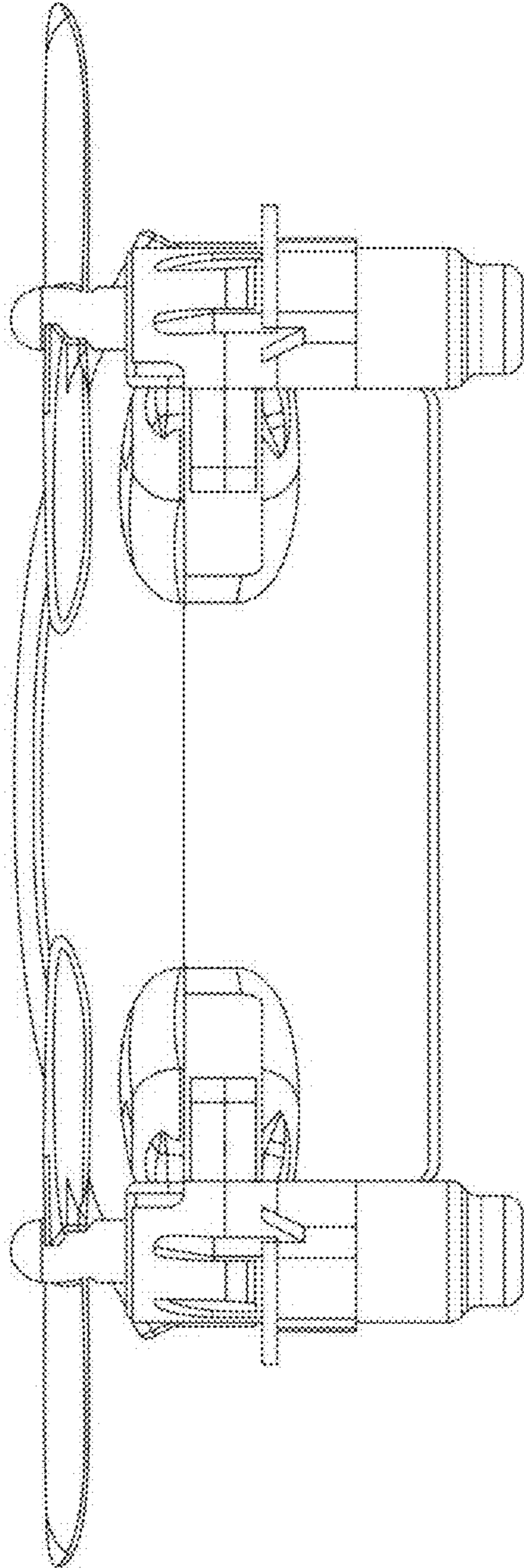


FIG. 4

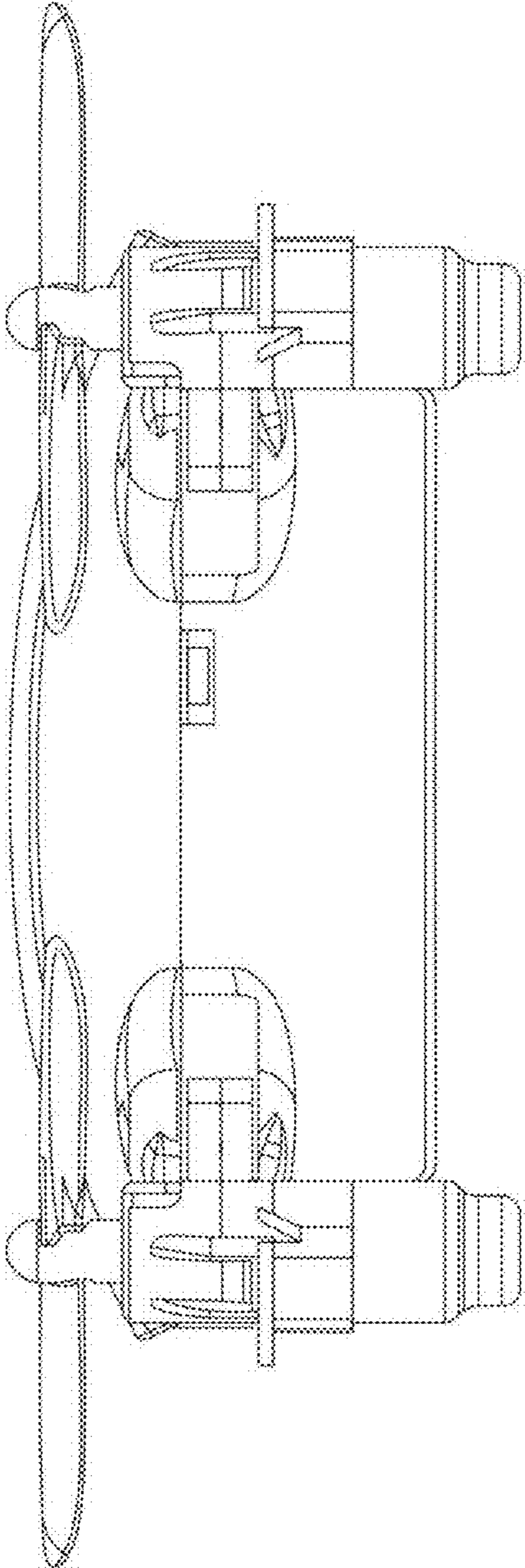


FIG. 5

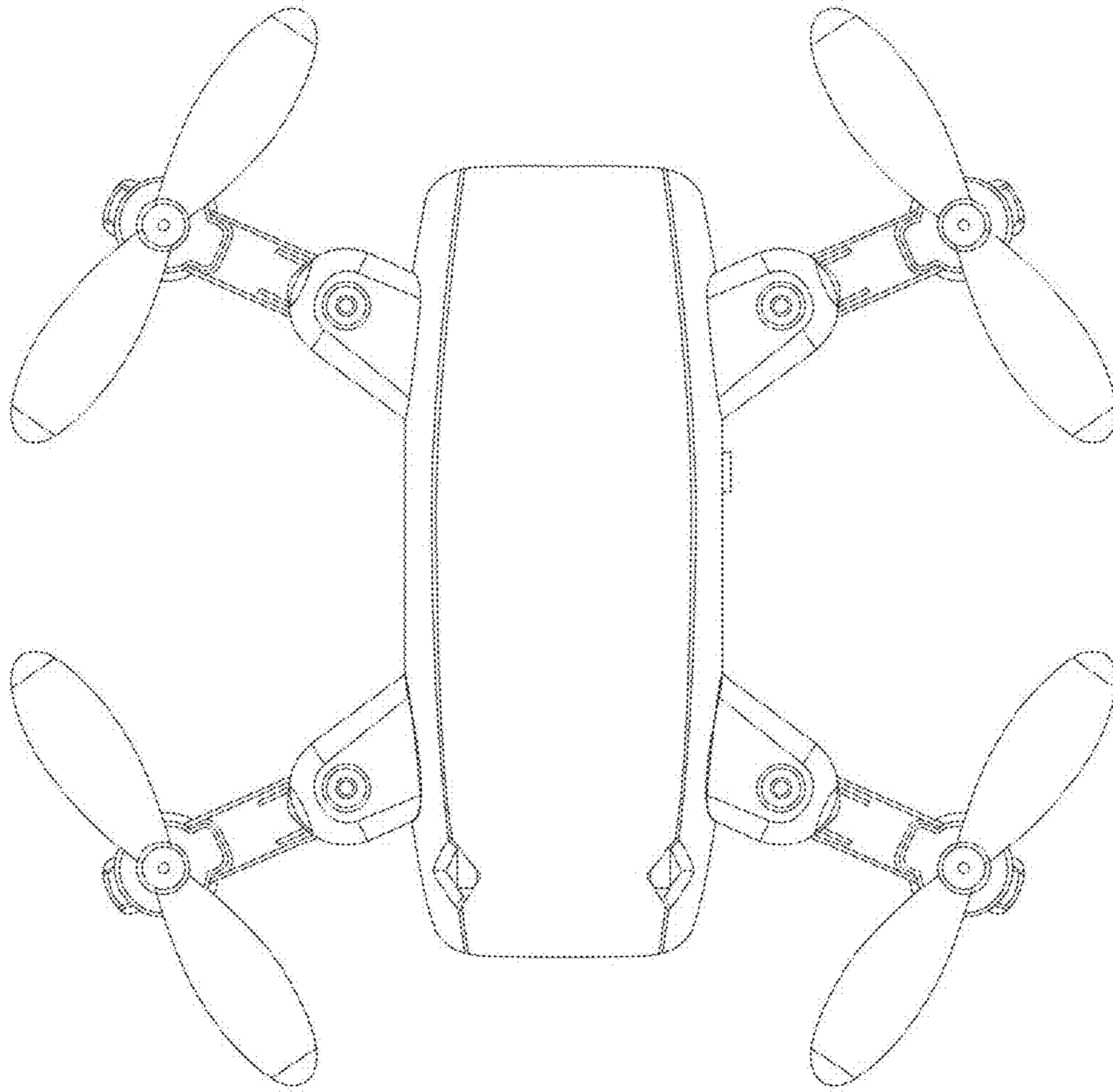


FIG. 6

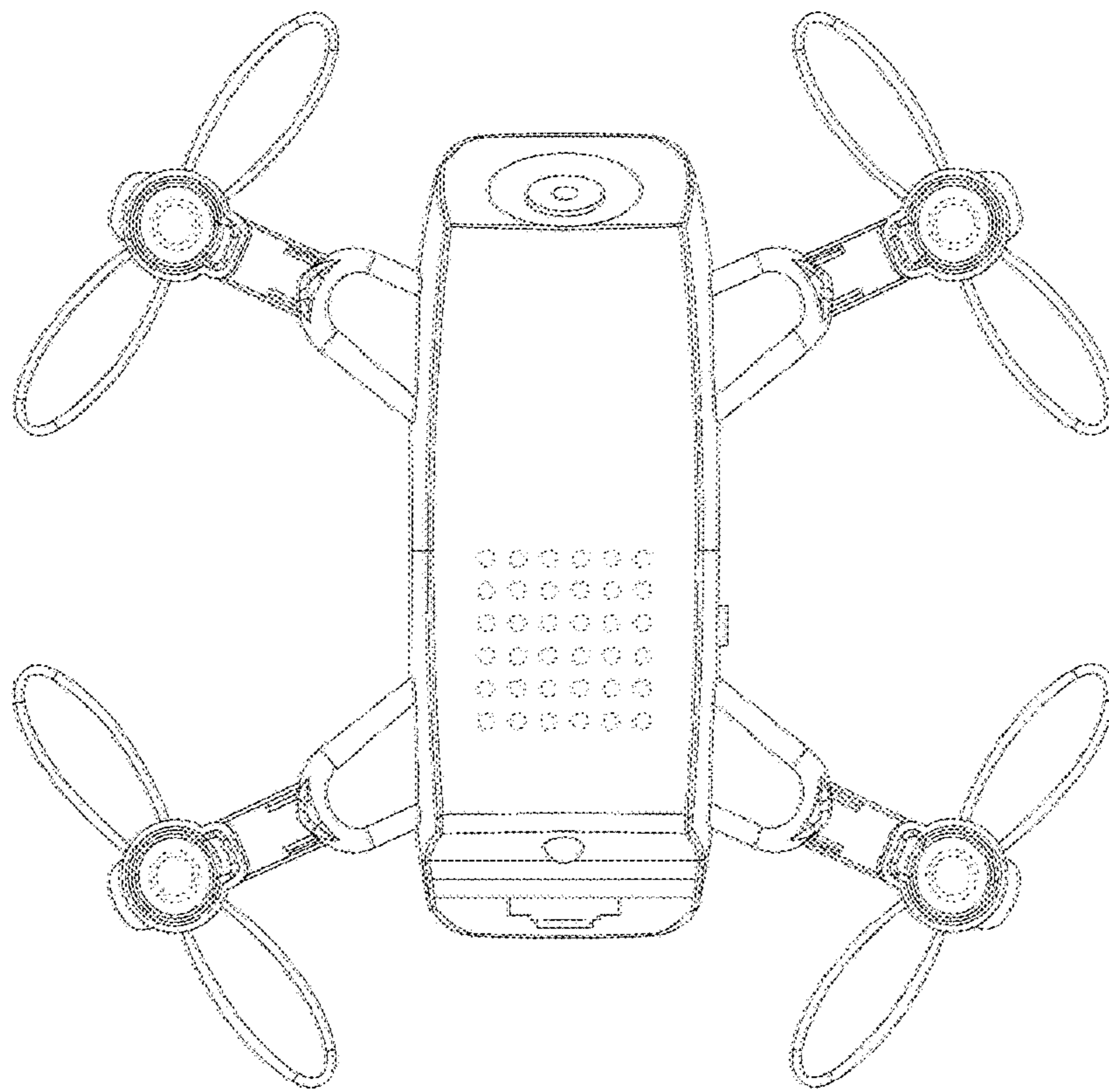


Fig. 7