



US00D857104S

(12) **United States Design Patent** (10) **Patent No.:** **US D857,104 S**
Linderman et al. (45) **Date of Patent:** **** Aug. 20, 2019**

(54) **GAME RACK**
(71) Applicants: **Gilbert I. Linderman**, Mundelein, IL (US); **Gladys Grad**, Sarasota, FL (US)
(72) Inventors: **Gilbert I. Linderman**, Mundelein, IL (US); **Gladys Grad**, Sarasota, FL (US)
(**) Term: **15 Years**
(21) Appl. No.: **29/658,274**
(22) Filed: **Jul. 30, 2018**
(51) **LOC (12) Cl.** **21-01**
(52) **U.S. Cl.**
USPC **D21/392**
(58) **Field of Classification Search**
USPC D21/392; D6/676, 683.1; D19/90, 91, D19/86, 78; D20/44
CPC A63F 1/10; A63F 3/0415; A63F 3/0423; A63F 1/06; A47B 63/00; F25D 25/02; A47F 7/145
See application file for complete search history.

(56) **References Cited**

U.S. PATENT DOCUMENTS

600,879 A * 3/1898 Louden F25D 25/02 211/153
1,522,616 A * 1/1925 Dann A63F 1/06 273/150
1,588,618 A * 6/1926 Rosen A63F 1/10 273/150
2,785,901 A * 3/1957 McLemore A63F 1/10 116/63 R
2,824,741 A * 2/1958 Wiley A63F 3/0415 206/315.1
3,116,927 A * 1/1964 Kuhlman A63F 3/0423 206/315.1
D286,167 S * 10/1986 Greitzer D19/90
D347,451 S * 5/1994 Kazakowitz D20/44
D353,412 S * 12/1994 Bull D21/392
D389,870 S * 1/1998 Hart D19/86

D397,735 S * 9/1998 Spranger 5/639
D431,052 S * 9/2000 Wilcox D21/392
6,142,315 A * 11/2000 Arout A47F 7/145 211/45
D439,622 S * 3/2001 Golad 273/148 A
6,964,402 B2 * 11/2005 Savalas A47B 63/00 248/441.1
D521,079 S * 5/2006 Bertrand D21/392
7,568,698 B2 * 8/2009 Bertrand A63F 1/10 273/148 A
D630,683 S * 1/2011 Vrotsos D19/78
D645,903 S * 9/2011 Tsai D19/90
D660,912 S * 5/2012 Denzinger D19/91
8,297,619 B2 * 10/2012 Bateng Tchoukwa A63F 3/0423 273/272
D674,215 S * 1/2013 McDonough D6/683.1
D703,470 S * 4/2014 McDonough D6/676.3

* cited by examiner

Primary Examiner — George D. Kirschbaum
(74) *Attorney, Agent, or Firm* — Dunlap Bennett & Ludwig PLLC

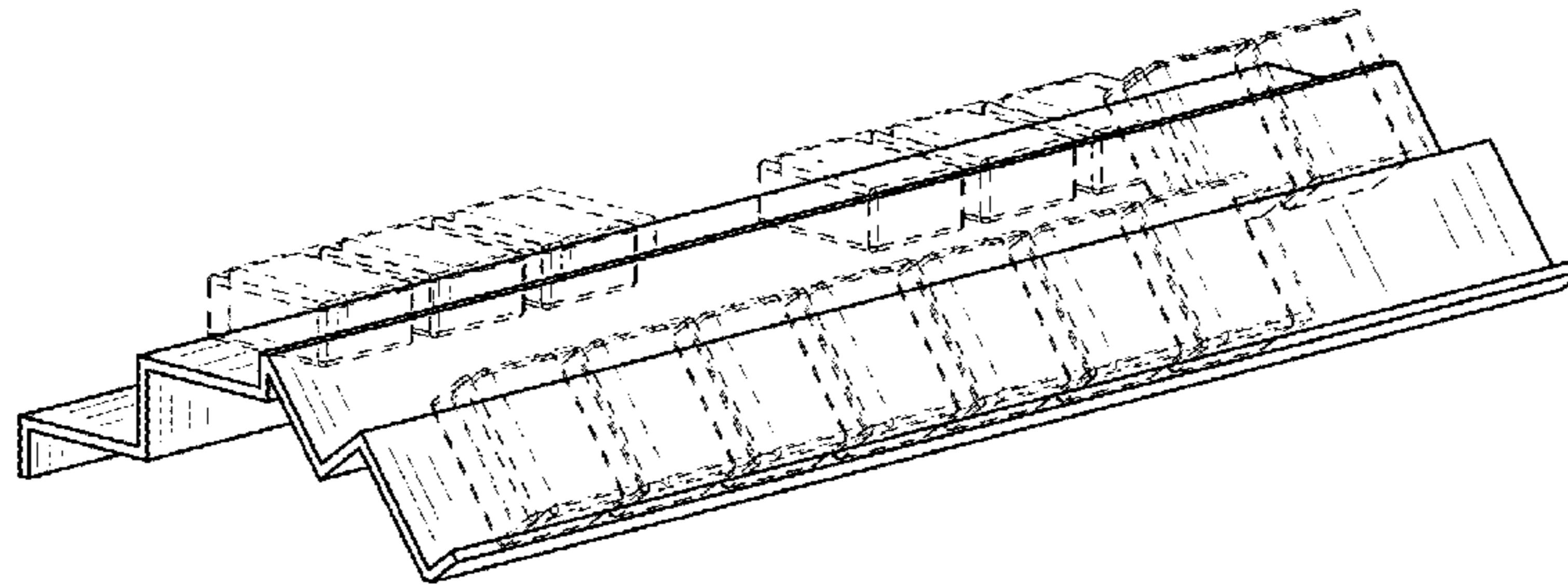
(57) **CLAIM**

The ornamental design for a game rack, as shown and described.

DESCRIPTION

FIG. 1 is a front perspective view of a game rack, showing my new design in use;
FIG. 2 is a rear perspective view thereof;
FIG. 3 is a front elevation view thereof;
FIG. 4 is a right elevation view thereof, the left elevation view being a mirror image thereof;
FIG. 5 is a rear elevation view thereof;
FIG. 6 is a top plan view thereof; and,
FIG. 7 is a bottom plan view thereof.
The broken lines showing game pieces in FIG. 1 depicts environmental subject matter that forms no part of the claimed design.

1 Claim, 4 Drawing Sheets



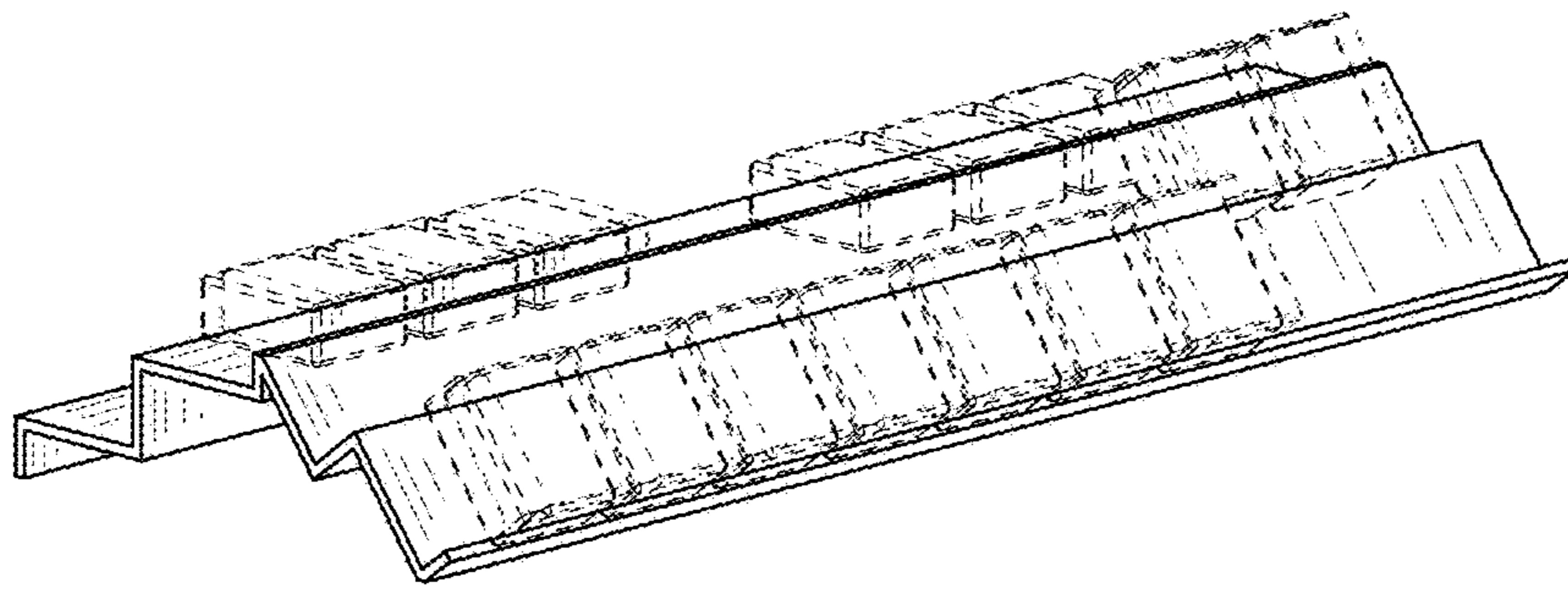


FIG. 1

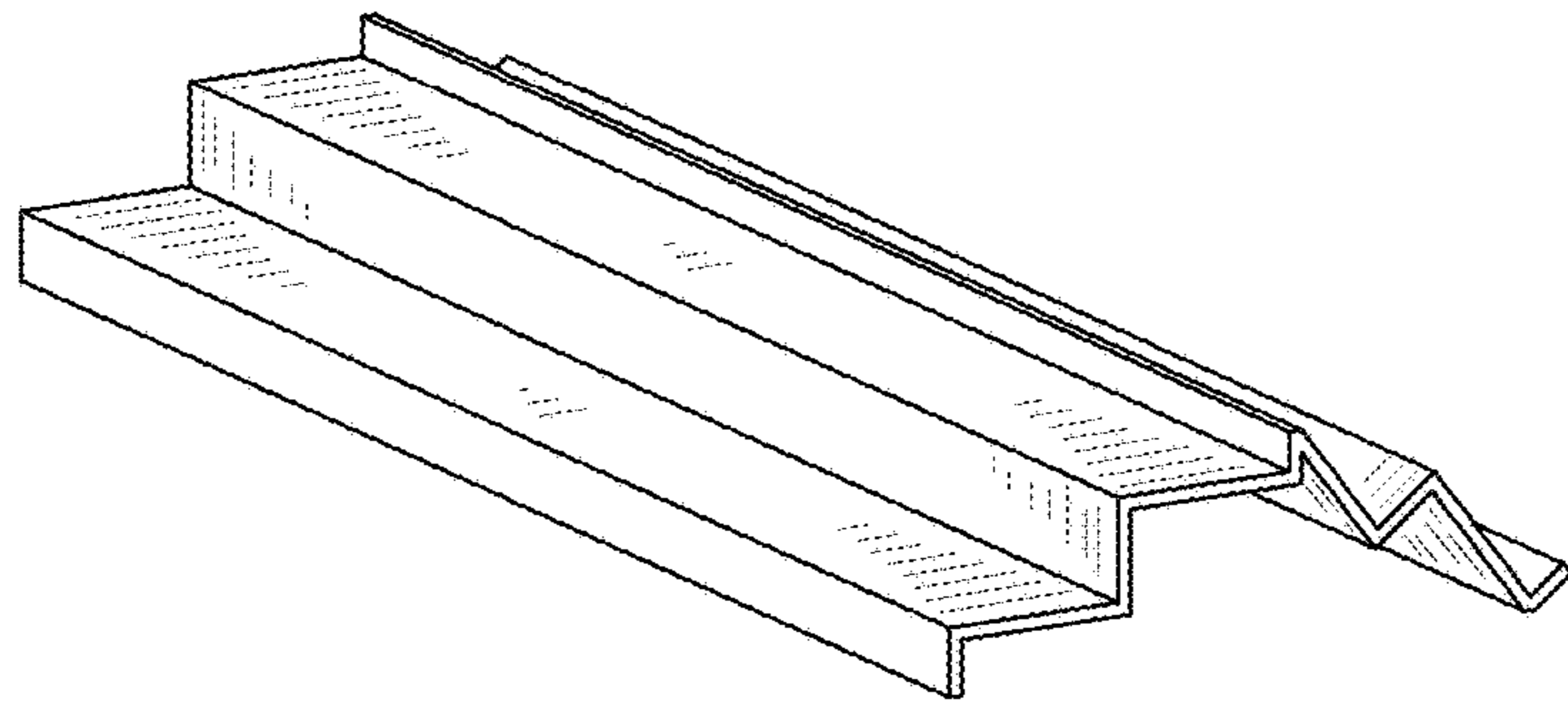


FIG. 2

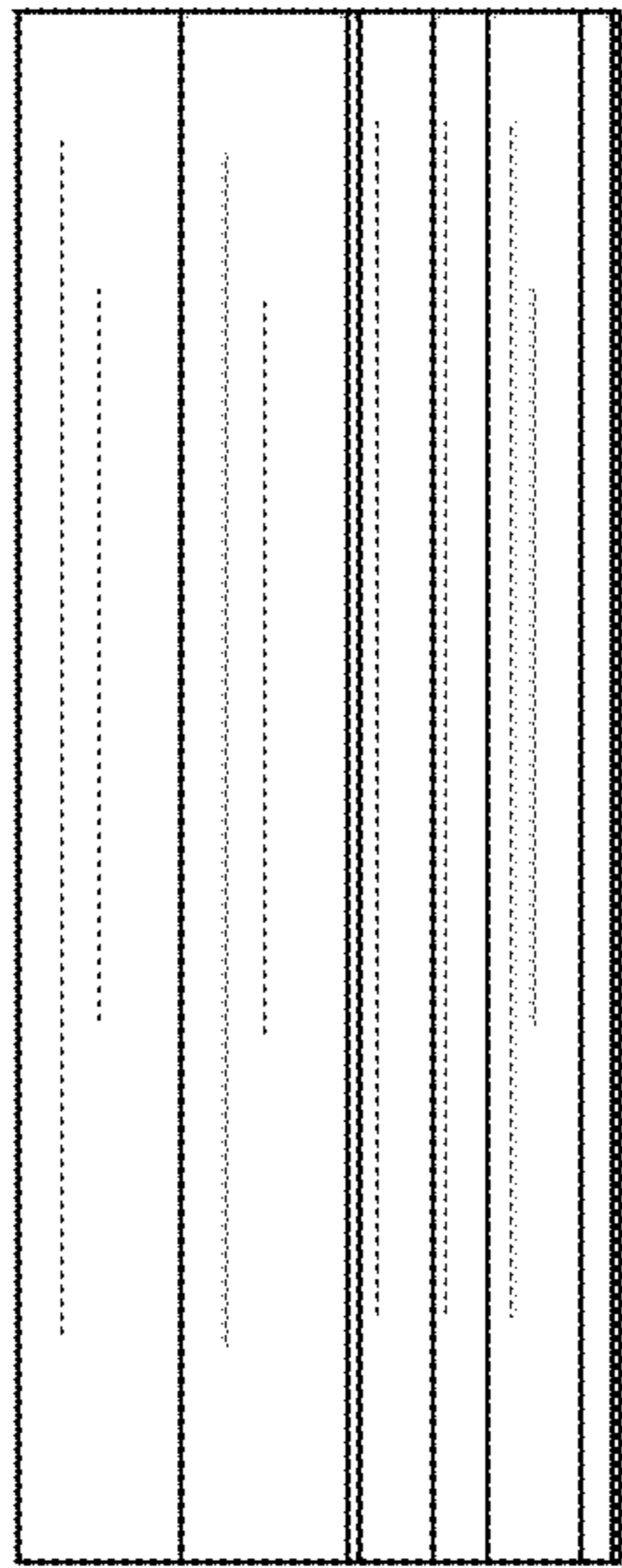


FIG. 6

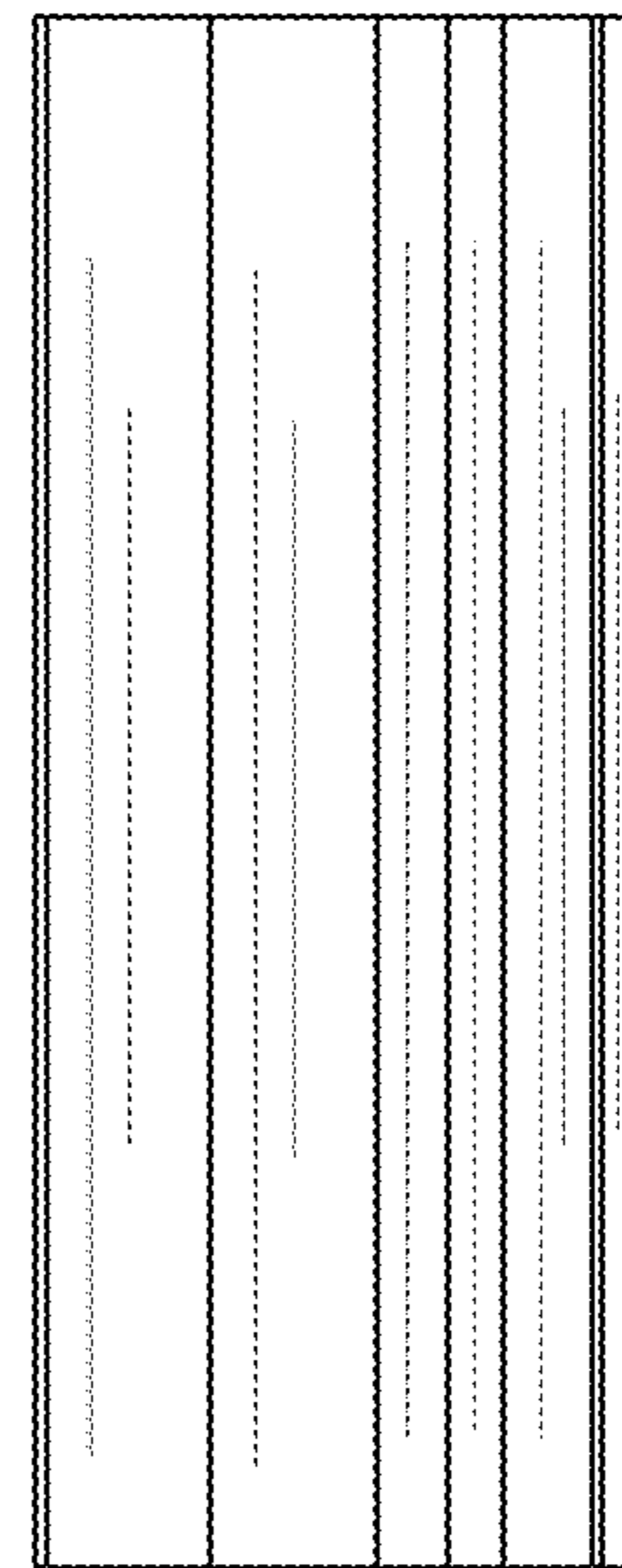


FIG. 7