

US00D857103S

(12) **United States Design Patent** (10) **Patent No.:** **US D857,103 S**
Beyer (45) **Date of Patent:** **** Aug. 20, 2019**

(54) **CARD HOLDER**
(71) Applicant: **Thomas G. Beyer**, Fenton, MO (US)
(72) Inventor: **Thomas G. Beyer**, Fenton, MO (US)
(**) Term: **15 Years**
(21) Appl. No.: **29/653,123**
(22) Filed: **Jun. 12, 2018**
(51) **LOC (12) Cl.** **21-01**
(52) **U.S. Cl.**
USPC **D21/392**
(58) **Field of Classification Search**
USPC D21/392; D6/676, 683.1; D19/90, 91,
D19/86; D20/44
CPC A63F 1/10; A63F 3/0415; A47B 63/00;
F25D 25/02
See application file for complete search history.

D521,079 S * 5/2006 Bertrand D21/392
7,568,698 B2 * 8/2009 Bertrand A63F 1/10
273/148 A
D645,903 S * 9/2011 Tsai D19/90
D660,912 S * 5/2012 Denzinger D19/91
D674,215 S * 1/2013 McDonough D6/683.1
D703,470 S * 4/2014 McDonough D6/676.3

* cited by examiner

Primary Examiner — George D. Kirschbaum
(74) *Attorney, Agent, or Firm* — Kevin L. Klug

(57) **CLAIM**

The ornamental design for a card holder, as shown and described.

DESCRIPTION

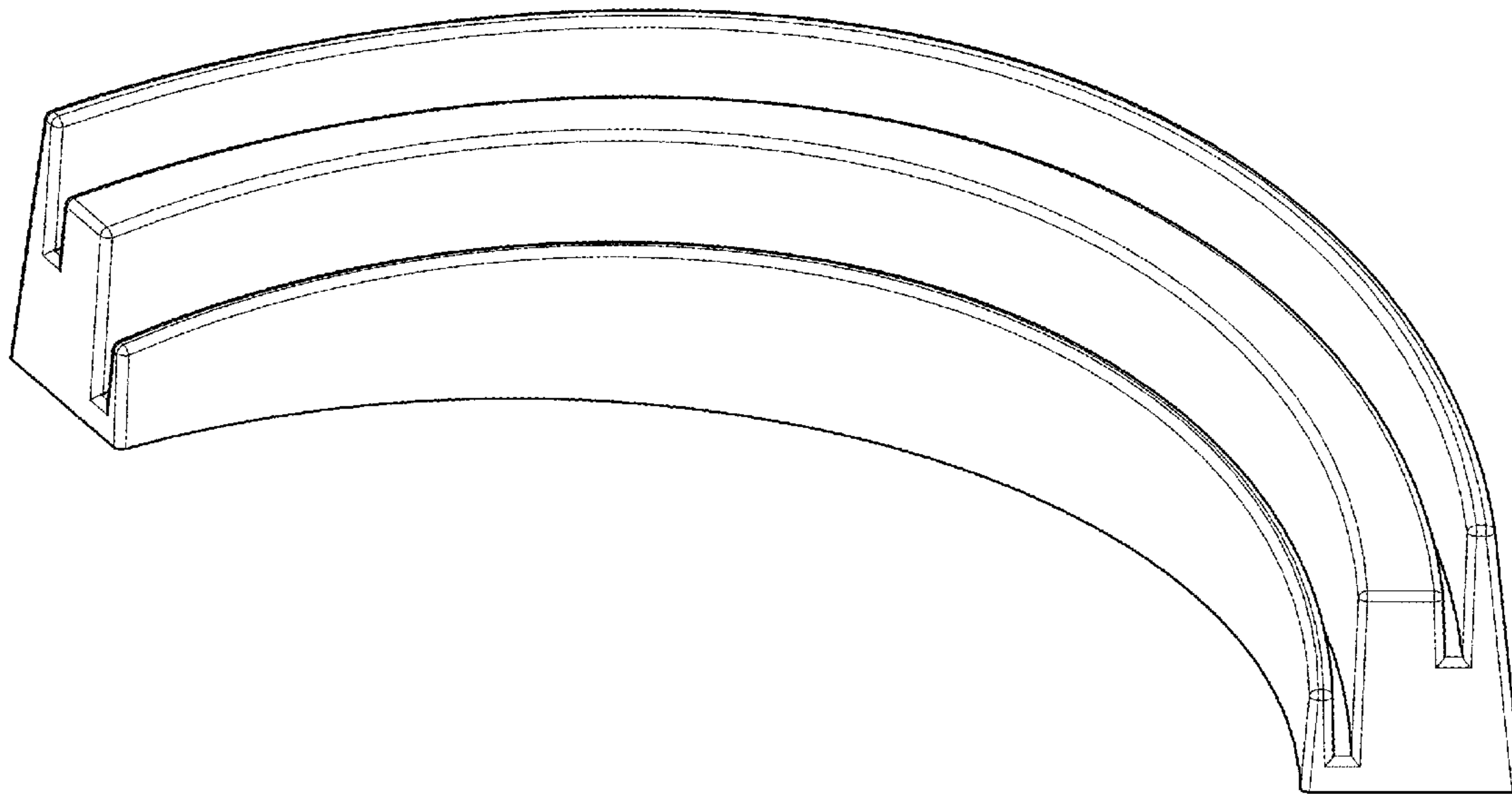
FIG. 1 is a front top right perspective view of a card holder; FIG. 2 is a top plan view thereof; FIG. 3 is a front elevation view thereof; FIG. 4 is a bottom plan view thereof; FIG. 5 is a left elevation view thereof; FIG. 6 is a right elevation view thereof; FIG. 7 is a front top right perspective view thereof; FIG. 8 is a rear elevation view of a card holder; and, FIG. 9 is a front bottom right perspective view thereof. The broken lines showing a playing card are for the purpose of illustrating the environmental structure and form no part of the claimed design.

(56) **References Cited**

U.S. PATENT DOCUMENTS

600,879 A * 3/1898 Louden F25D 25/02
211/153
2,824,741 A * 2/1958 Wiley A63F 3/0415
206/315.1
D347,451 S * 5/1994 Kazakowitz D20/44
D353,412 S * 12/1994 Bull D21/392
D389,870 S * 1/1998 Hart D19/86
D397,735 S * 9/1998 Spranger 5/639
6,964,402 B2 * 11/2005 Savalas A47B 63/00
248/441.1

1 Claim, 8 Drawing Sheets



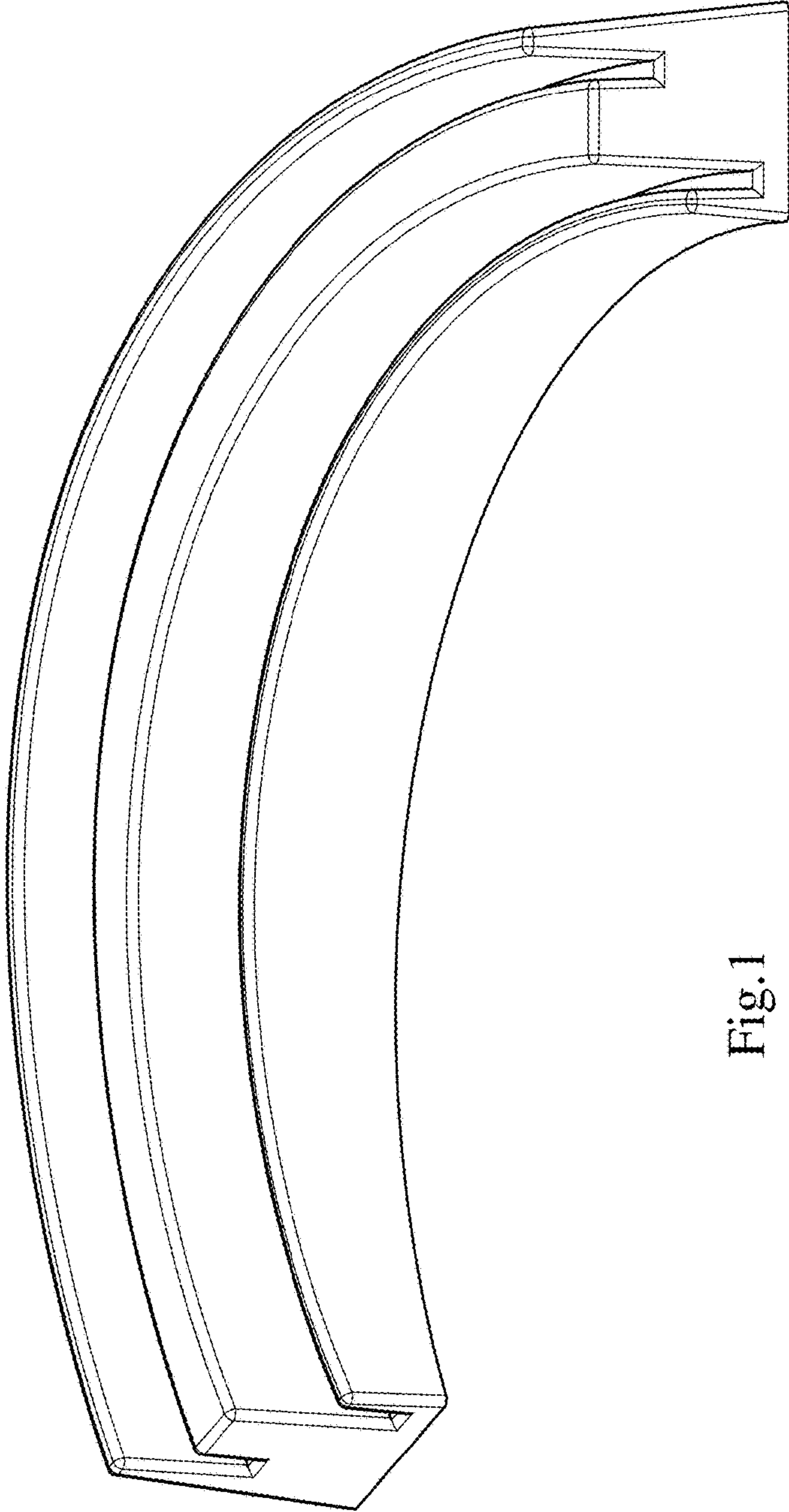


Fig.1

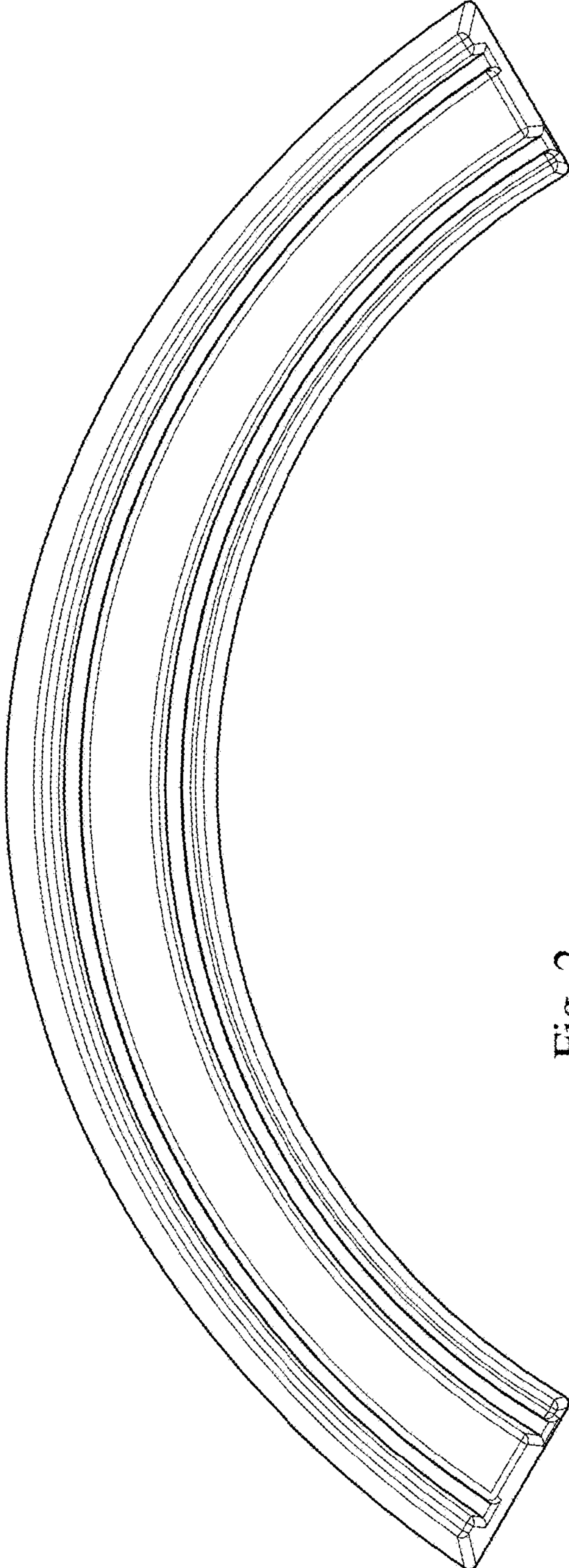


Fig. 2

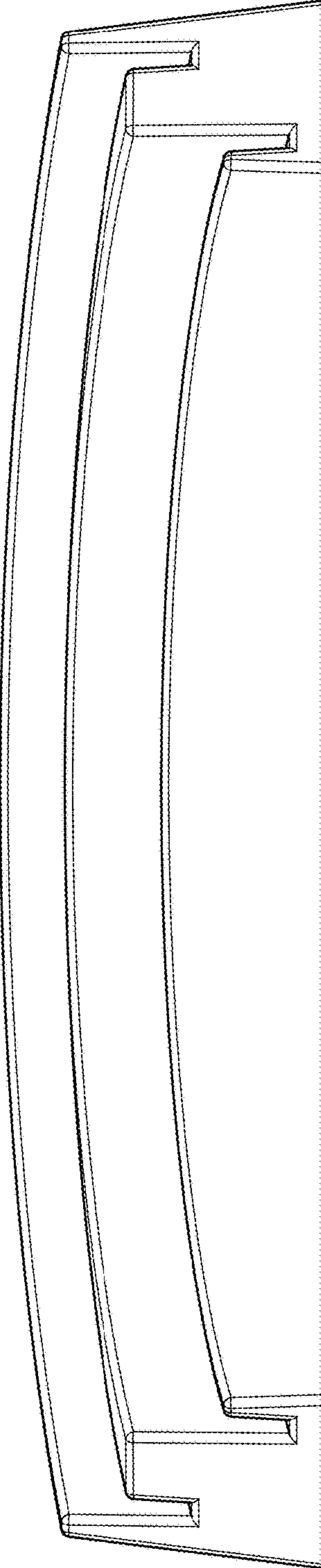


Fig.3

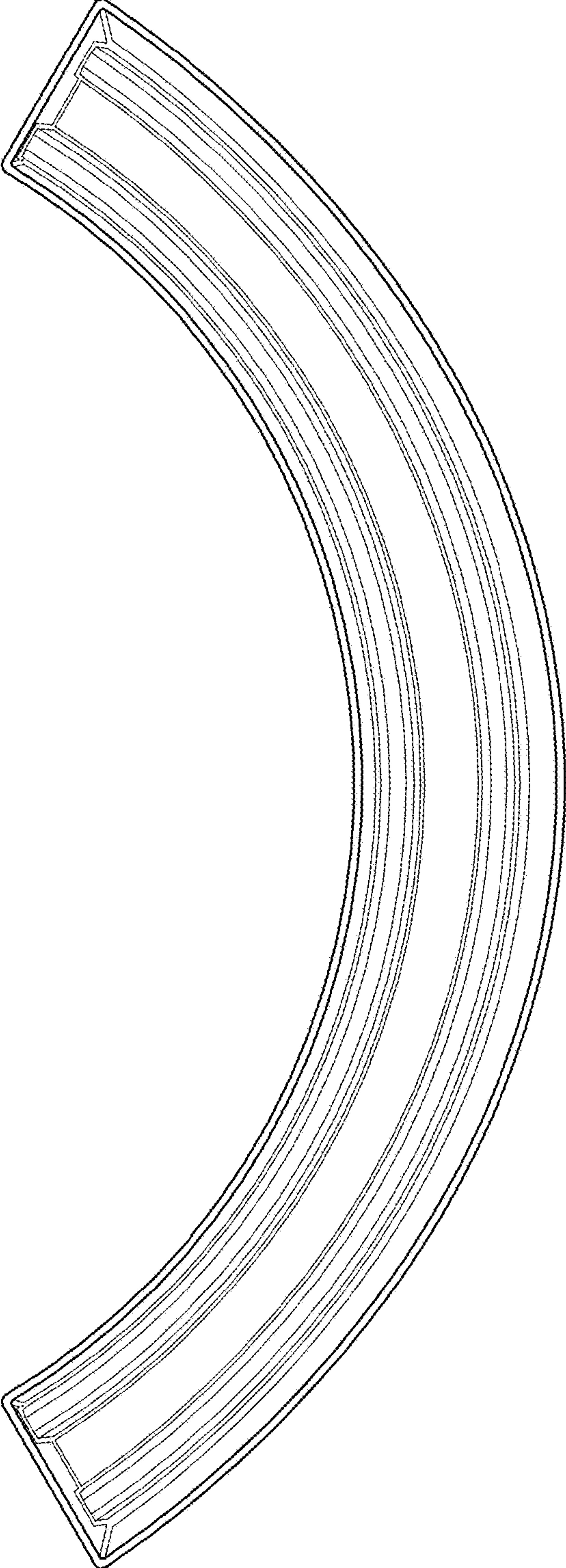


Fig. 4

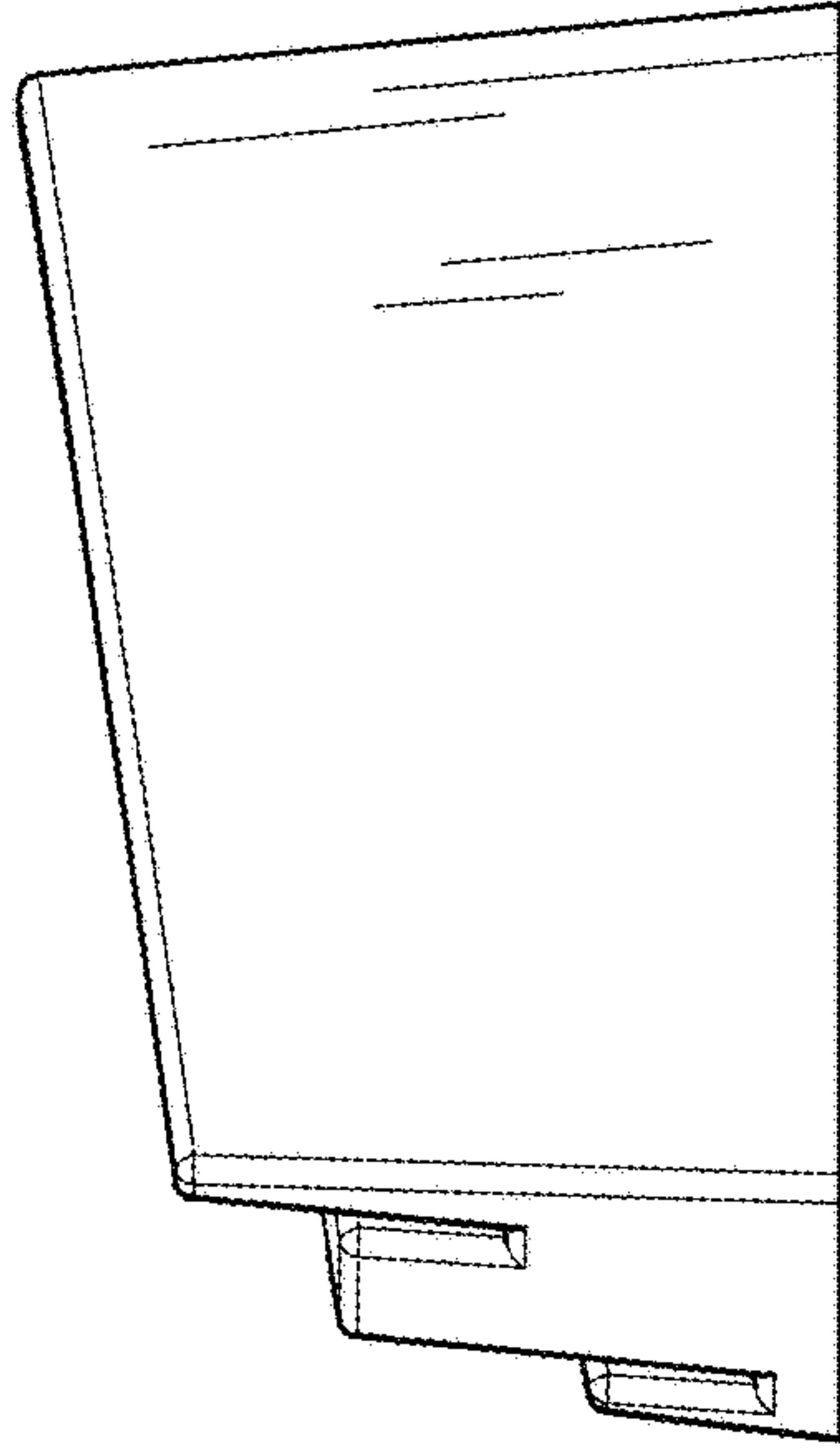


Fig. 6

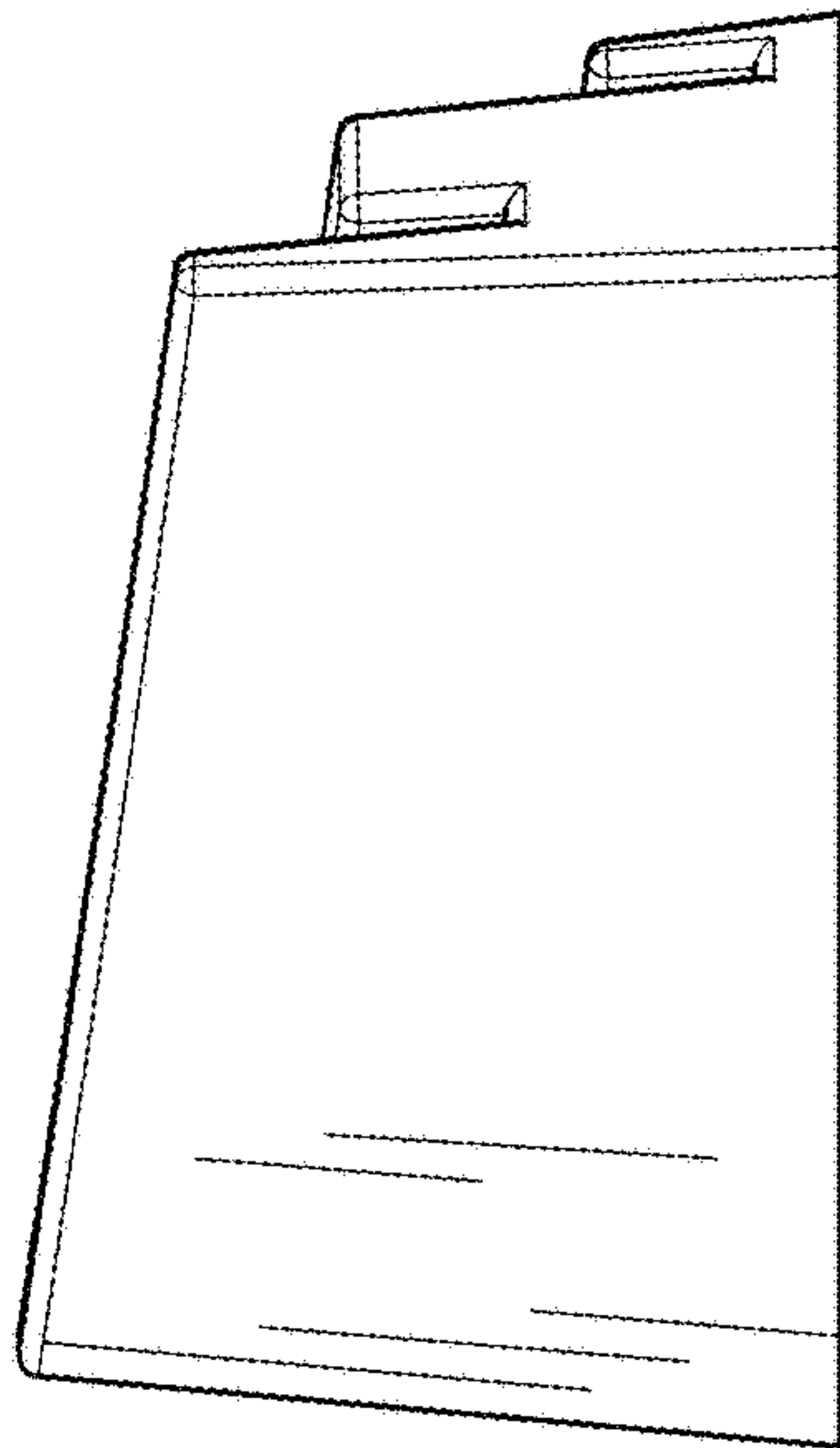


Fig. 5

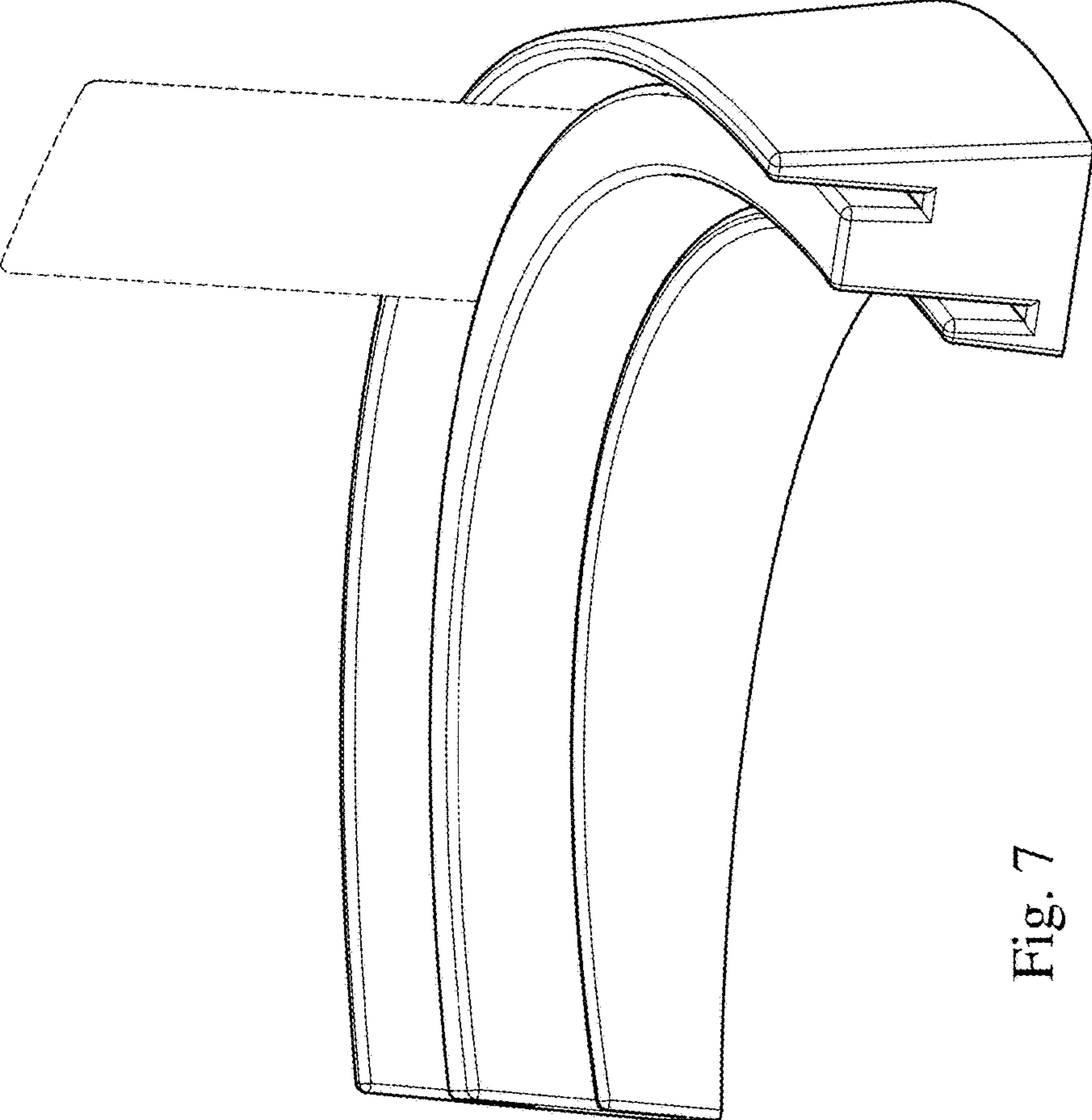


Fig. 7

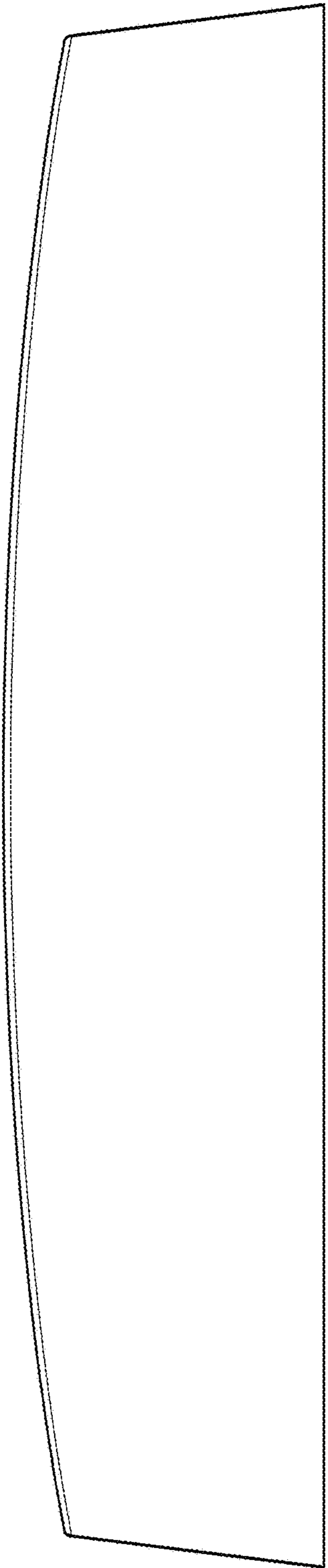


Fig. 8

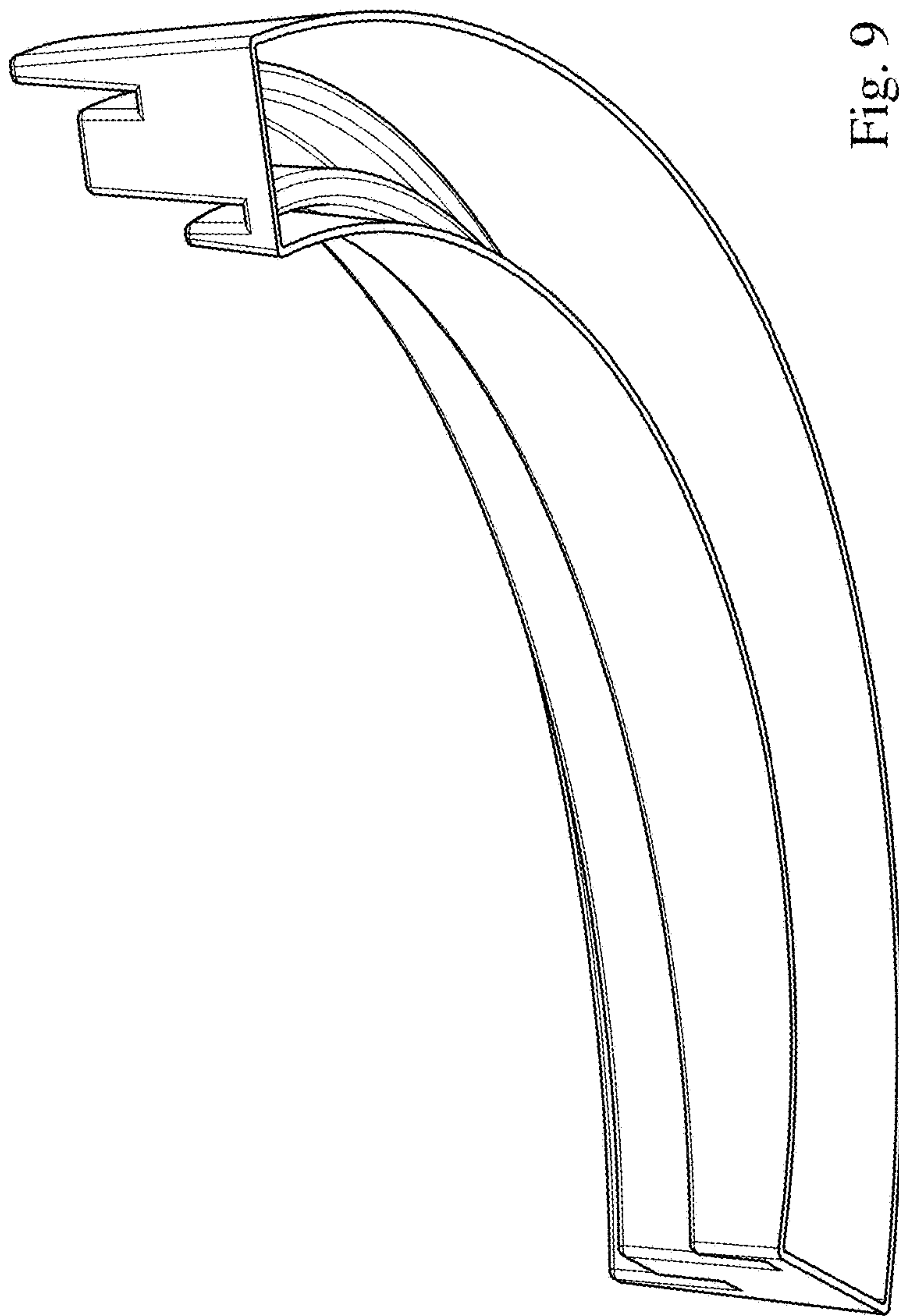


Fig. 9