



US00D857102S

(12) **United States Design Patent**
Moore et al.

(10) **Patent No.:** **US D857,102 S**

(45) **Date of Patent:** **** Aug. 20, 2019**

(54) **ADHESIVE BACKED TARGET DISC WITH HOLE**

(71) Applicants: **Orrin Lee Moore**, Tustin, CA (US);
Brett Lee Moore, Tustin, CA (US)

(72) Inventors: **Orrin Lee Moore**, Tustin, CA (US);
Brett Lee Moore, Tustin, CA (US)

(**) Term: **15 Years**

(21) Appl. No.: **29/618,348**

(22) Filed: **Sep. 20, 2017**

(51) **LOC (12) Cl.** **21-01**

(52) **U.S. Cl.**
USPC **D21/307**

(58) **Field of Classification Search**
USPC 273/236-239, 268-271, 280-283, 287,
273/317.1, 348.1, 348, 373, 407, 408;
D21/307, 308, 354, 362, 374; D19/103
CPC F41J 3/0076; F41J 3/02; F41J 13/02; F41J
3/0038; A63F 9/0208
See application file for complete search history.

(56) **References Cited**

U.S. PATENT DOCUMENTS

- D34,594 S * 5/1901 Brown 273/236
- 907,663 A * 12/1908 Williams A63F 3/00006
273/236
- 1,453,396 A * 5/1923 Leggatt F41J 3/0066
273/408
- 2,305,271 A * 12/1942 Pearson F41J 3/0004
273/408
- 2,786,681 A * 3/1957 Ellett A63F 3/00176
206/539
- 3,409,301 A * 11/1968 Studen F41J 1/01
273/408
- 3,721,443 A * 3/1973 Napoli A63F 1/04
273/236
- 3,876,207 A * 4/1975 Jones A63F 3/00694
273/141 A

- 4,189,146 A * 2/1980 Warner F41J 1/10
273/407
- 4,244,585 A * 1/1981 Croll F41J 3/0004
273/408
- 4,989,872 A * 2/1991 Urrestarazu Borda
A63B 71/00
273/138.2
- 5,016,888 A * 5/1991 Huston A63F 3/00694
273/239
- 5,183,256 A * 2/1993 Hale A63F 3/00094
273/241
- 5,356,153 A * 10/1994 Morse A63F 3/00063
273/248
- D362,018 S * 9/1995 Damm D19/103
- 5,516,111 A * 5/1996 Strickland, Jr. A63F 3/04
273/269

(Continued)

Primary Examiner — Cynthia Ramirez

Assistant Examiner — Michael A Maharajh

(57) **CLAIM**

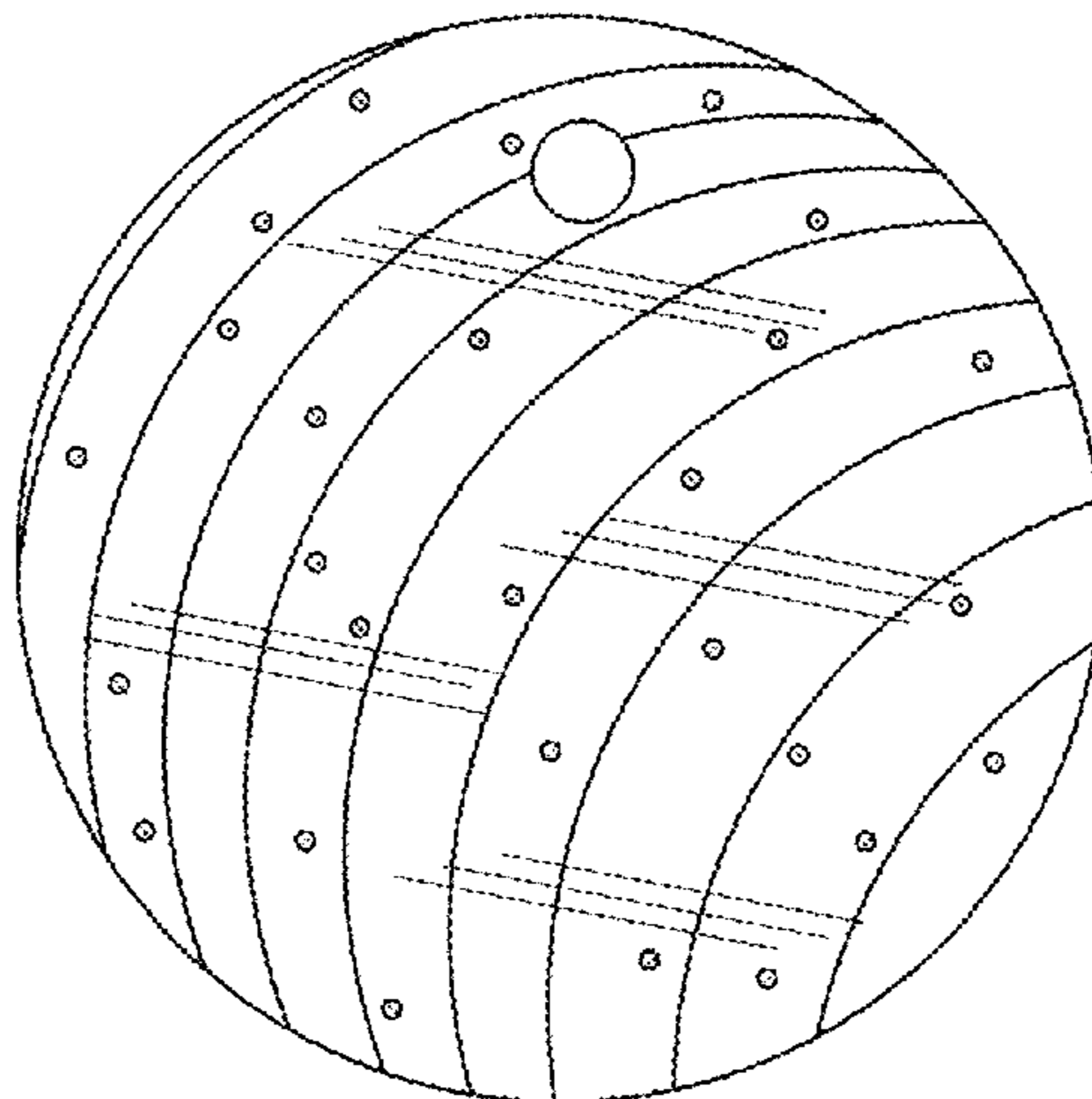
The ornamental design for an adhesive backed target disc with hole, as shown and described.

DESCRIPTION

FIG. 1 is front view of the adhesive backed target disc with hole showing the claimed design;
FIG. 2 is a top view thereof;
FIG. 3 is a front perspective view thereof;
FIG. 4 is a rear view thereof;
FIG. 5 is a bottom view thereof;
FIG. 6 is a rear perspective view thereof;
FIG. 7 is a right side view thereof;
FIG. 8 is a left side view thereof; and,
FIG. 9 is a rear perspective view thereof with adhesive cover partially peeled back to expose adhesive, for clarity of illustration.

The broken lines in the drawings are for the purpose of illustrating environmental structure which form no part of the claimed design.

1 Claim, 3 Drawing Sheets



(56)

References Cited

U.S. PATENT DOCUMENTS

5,540,446 A * 7/1996 Felsen F41J 3/00
273/403
5,573,250 A * 11/1996 Kuo F41J 3/00
273/408
D378,103 S * 2/1997 Yiu D21/307
5,642,886 A * 7/1997 Yancey, Jr. F41J 3/0076
273/317.2
D408,056 S * 4/1999 Broyles D19/103
D409,655 S * 5/1999 Broyles D19/103
5,967,520 A * 10/1999 Chen F41J 3/0057
273/348.3
6,059,290 A * 5/2000 Neil A63F 3/00
273/141 R
6,073,931 A * 6/2000 Voden F41J 3/0028
273/404
6,155,570 A * 12/2000 Allison F41J 5/04
273/373
6,247,700 B1 * 6/2001 Procupetz F41J 1/01
273/348

6,332,613 B1 * 12/2001 Reese A63F 3/0423
273/243
6,336,634 B1 * 1/2002 Stott A63F 3/00176
273/243
D453,360 S * 2/2002 Pan D21/308
6,540,229 B1 * 4/2003 Smith A63F 3/00157
273/274
6,592,123 B1 * 7/2003 Matlage A63F 3/00176
273/236
D491,612 S * 6/2004 Tournillon D21/308
7,322,577 B1 * 1/2008 Jaimes-Ojeda A63F 1/04
273/236
D563,478 S * 3/2008 Hanes, III D21/308
D586,370 S * 2/2009 Owen D15/126
7,896,347 B1 * 3/2011 Vail A63F 3/001
273/236
D712,496 S * 9/2014 Muller D21/791
D713,888 S * 9/2014 Steele D21/308
D760,322 S * 6/2016 Shaw D21/307
D821,498 S * 6/2018 Guerrero D21/307
D821,499 S * 6/2018 Guerrero D21/307
D832,354 S * 10/2018 Guerrero D21/307

* cited by examiner

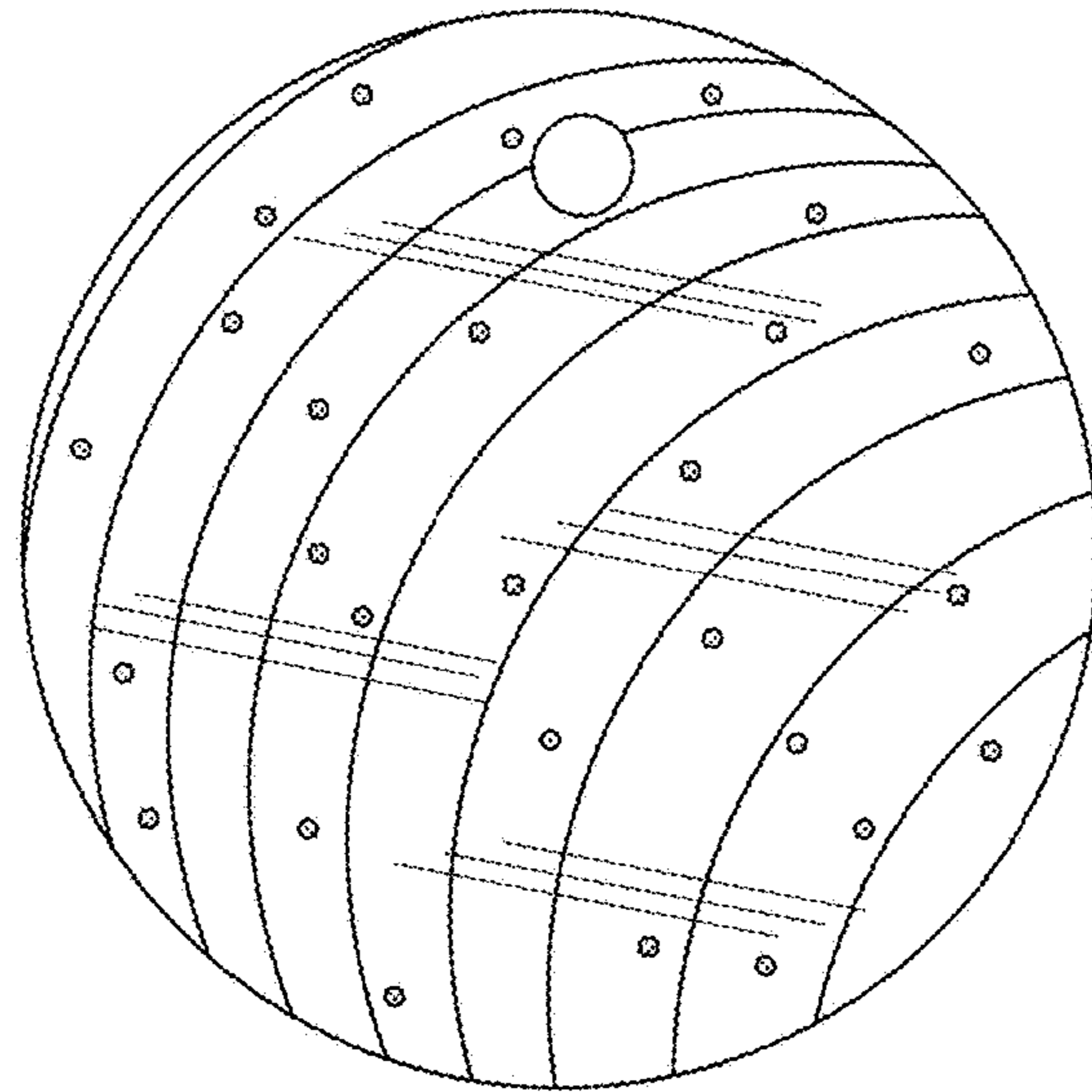


Fig. 1



Fig. 2

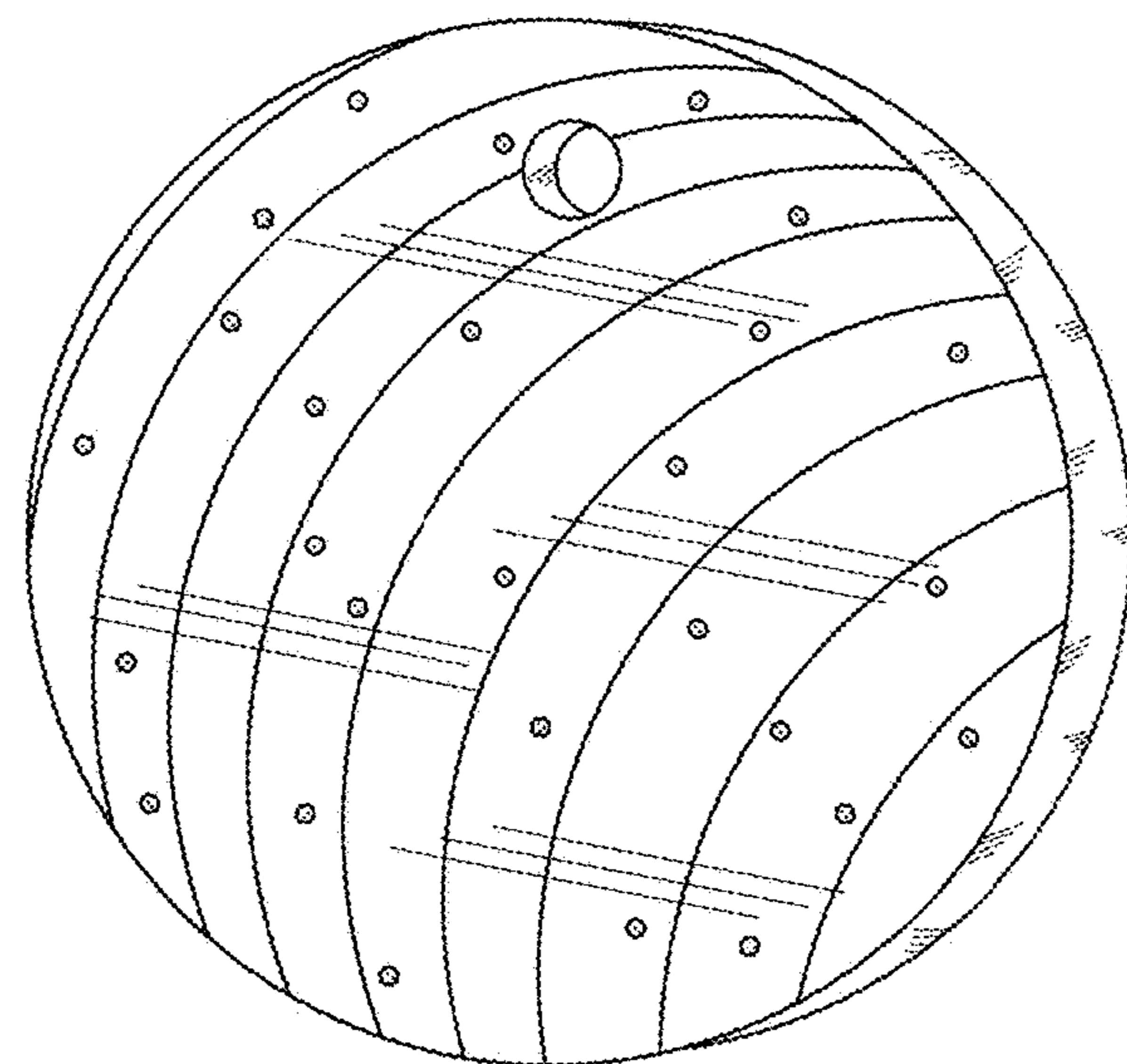


Fig. 3

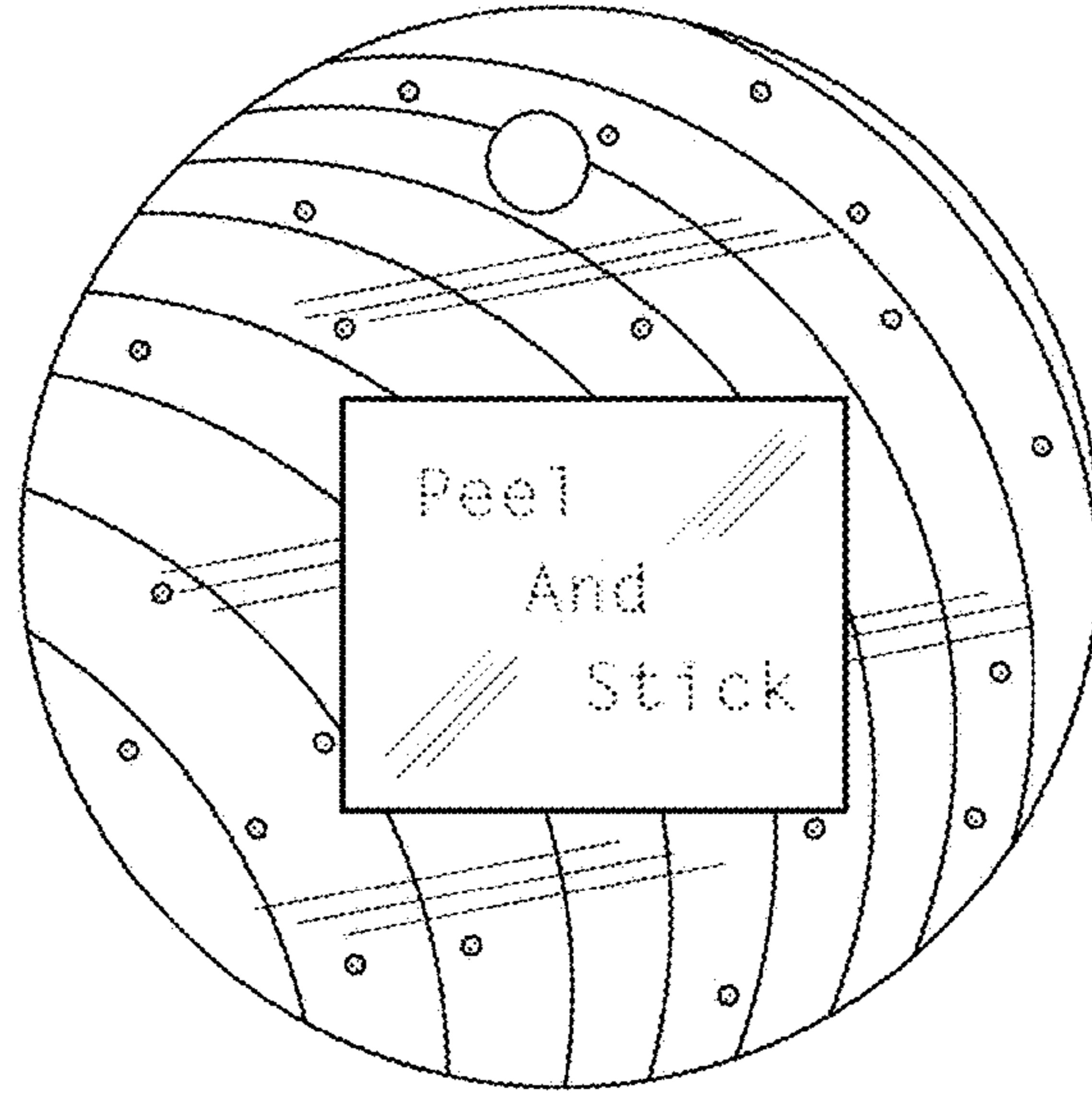


Fig. 4

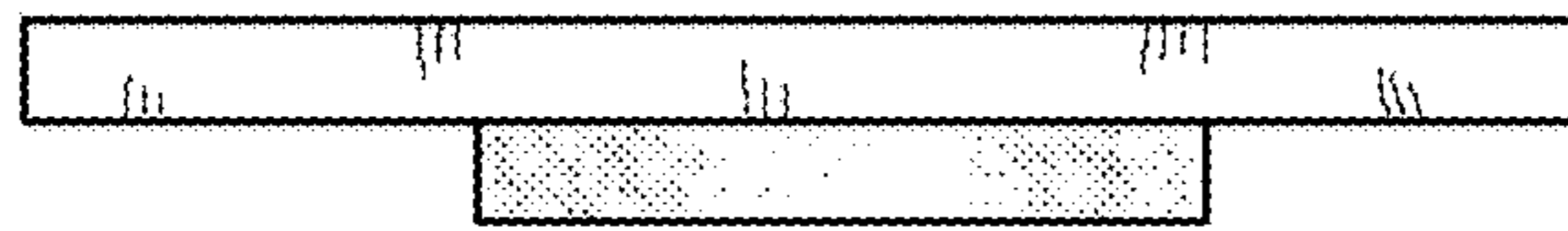


Fig. 5

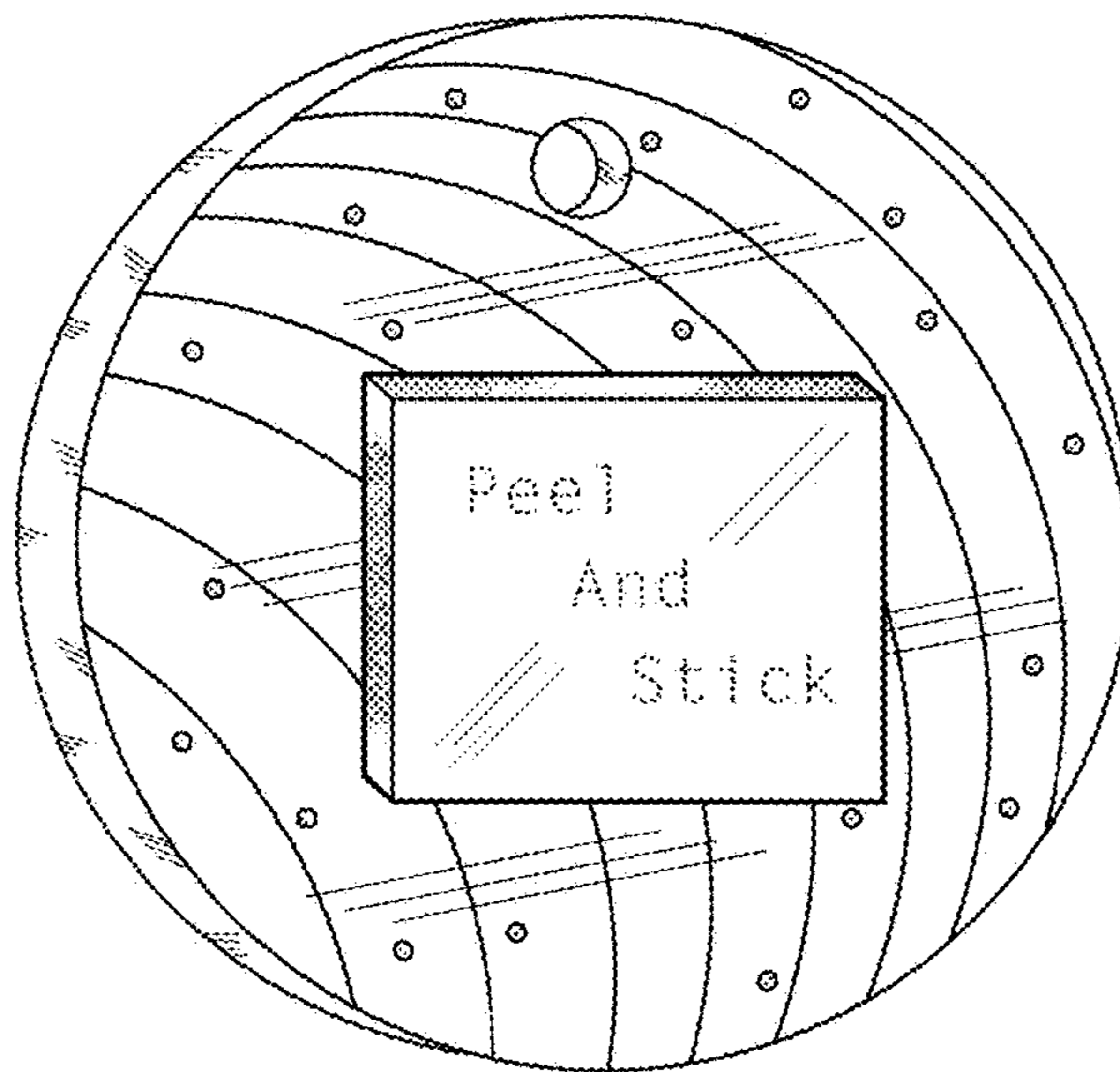


Fig. 6

Fig. 7



Fig. 8

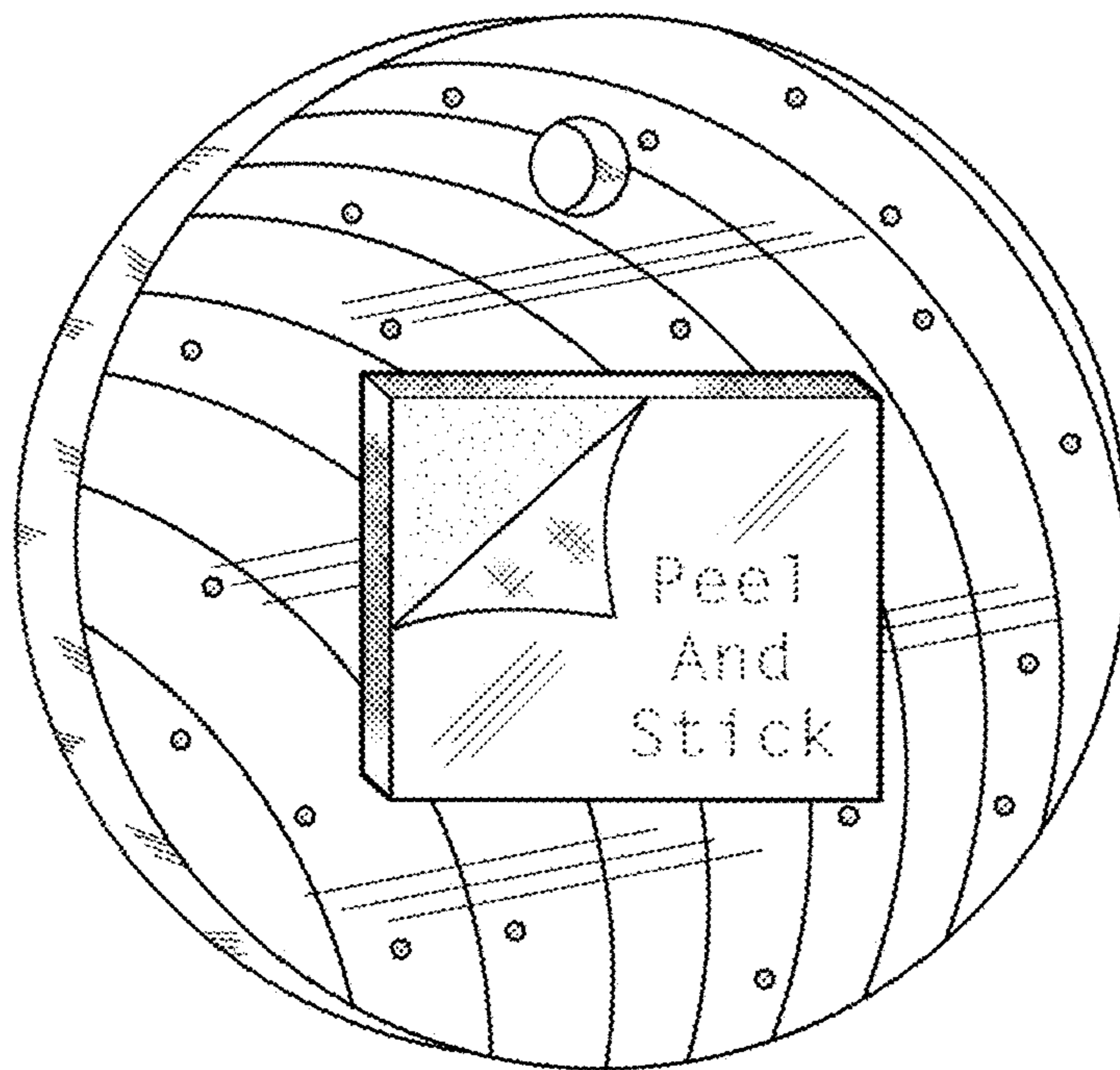
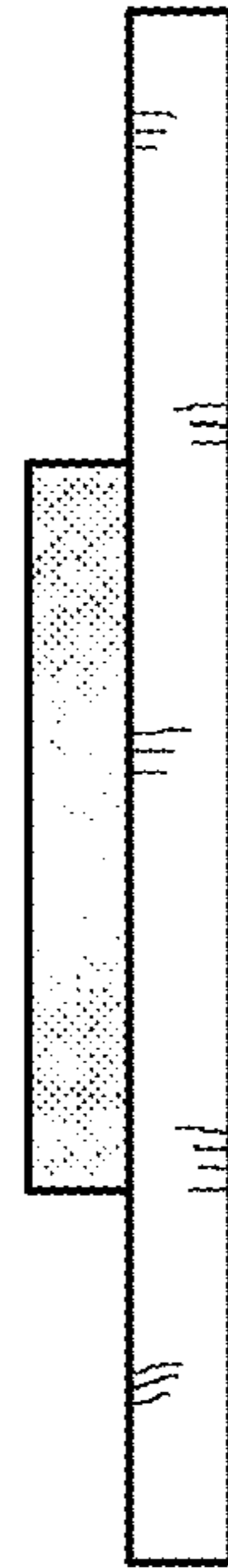


Fig. 9