



US00D857101S

(12) **United States Design Patent** (10) **Patent No.:** **US D857,101 S**  
**Park et al.** (45) **Date of Patent:** **\*\* Aug. 20, 2019**

(54) **DIGITAL SIGN**

D683,885 S \* 6/2013 Kim ..... D26/84  
D783,878 S \* 4/2017 Lava ..... D26/81  
D788,725 S \* 6/2017 Tompkin ..... D14/127  
D792,009 S \* 7/2017 Sonneman ..... D26/86  
D841,221 S \* 2/2019 Power ..... D26/88

(71) Applicant: **LG ELECTRONICS INC.**, Seoul (KR)

(72) Inventors: **Sechang Park**, Seoul (KR); **Areum Kwon**, Seoul (KR); **Yongho Lee**, Seoul (KR)

(73) Assignee: **LG Electronics Inc.**, Seoul (KR)

(\*\*) Term: **15 Years**

(21) Appl. No.: **35/505,096**

(22) Filed: **Dec. 6, 2017**

(80) **Hague Agreement Data**

Int. Filing Date: **Dec. 6, 2017**  
Int. Reg. No.: **DM/098939**  
Int. Reg. Date: **Dec. 6, 2017**  
Int. Reg. Pub. Date: **Jun. 8, 2018**

(30) **Foreign Application Priority Data**

Jun. 7, 2017 (KR) ..... 30-2017-0025802

(51) **LOC (12) Cl.** ..... **20-03**

(52) **U.S. Cl.**  
USPC ..... **D20/10; D20/42**

(58) **Field of Classification Search**  
USPC ..... D20/10, 18, 19, 21, 42, 99; D14/127,  
D14/373; D26/72, 81, 84, 88, 93, 95  
CPC ... G09F 7/00; G09F 7/02; G09F 13/04; G09F  
19/02  
See application file for complete search history.

(56) **References Cited**

**U.S. PATENT DOCUMENTS**

D240,852 S \* 8/1976 Jacobsen ..... D26/86  
D243,640 S \* 3/1977 Casparro ..... D20/21  
D620,636 S \* 7/2010 Holder ..... D26/127  
D659,885 S \* 5/2012 Holder ..... D26/127  
D665,120 S \* 8/2012 Damen ..... D26/128

**OTHER PUBLICATIONS**

perchneworleans.myshopify.com: Lily Petal Pendant Light. Undated; 7 pages. Found online Apr. 12, 2019 at <https://perchneworleans.myshopify.com/products/lily-petal-pendant-light>.  
Kptest.shop: Ceiling chandelier brown plastic petals. Undated; 3 pages. Found online Apr. 12, 2019 at <https://kptest.shop/en/lamps-amp-lighting-9/ceiling-chandelier-brown-plastic-petals-p12#quick-tab-reviews-1312656341>.  
Single Petal Pendant Lighting at Low . . . Screenshot found online Apr. 12, 2019 at [https://www.google.com/search?q=petal+ceiling+light&rls=com.microsoft:en-US:IE-address&source=lnms&tbm=isch&sa=X&ved=0ahUKewjP\\_4zK08rhAhUL11kKHUe8Bs8Q\\_AUIDygC&biw=1920&bih=1051#imgrc=6NHmW2TBhYruwM:&spf=1555075495744](https://www.google.com/search?q=petal+ceiling+light&rls=com.microsoft:en-US:IE-address&source=lnms&tbm=isch&sa=X&ved=0ahUKewjP_4zK08rhAhUL11kKHUe8Bs8Q_AUIDygC&biw=1920&bih=1051#imgrc=6NHmW2TBhYruwM:&spf=1555075495744).

\* cited by examiner

*Primary Examiner* — Robert M. Spear  
(74) *Attorney, Agent, or Firm* — Birch, Stewart, Kolasch & Birch, LLP

(57) **CLAIM**

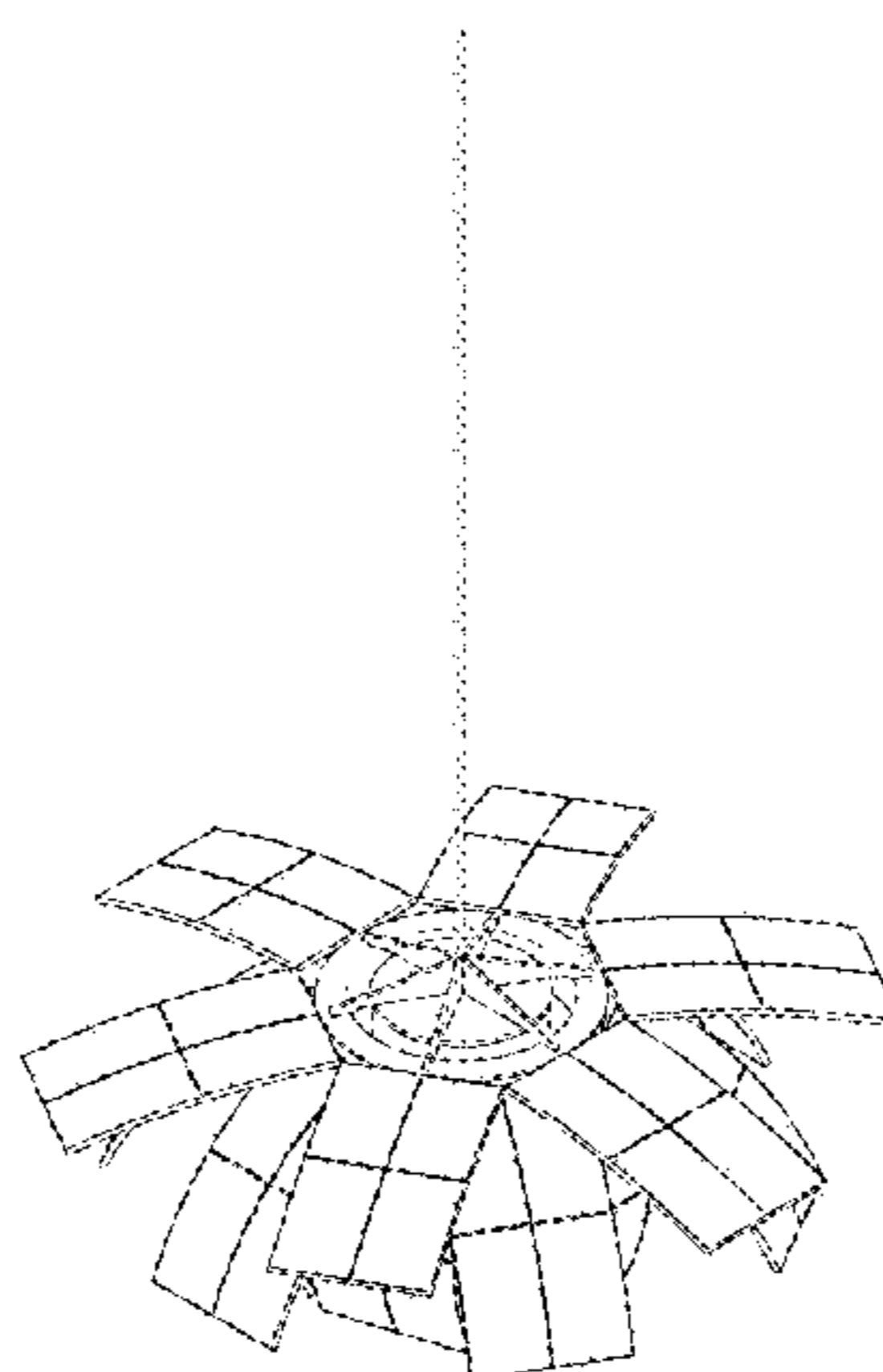
The ornamental design for a digital sign, as shown and described.

**DESCRIPTION**

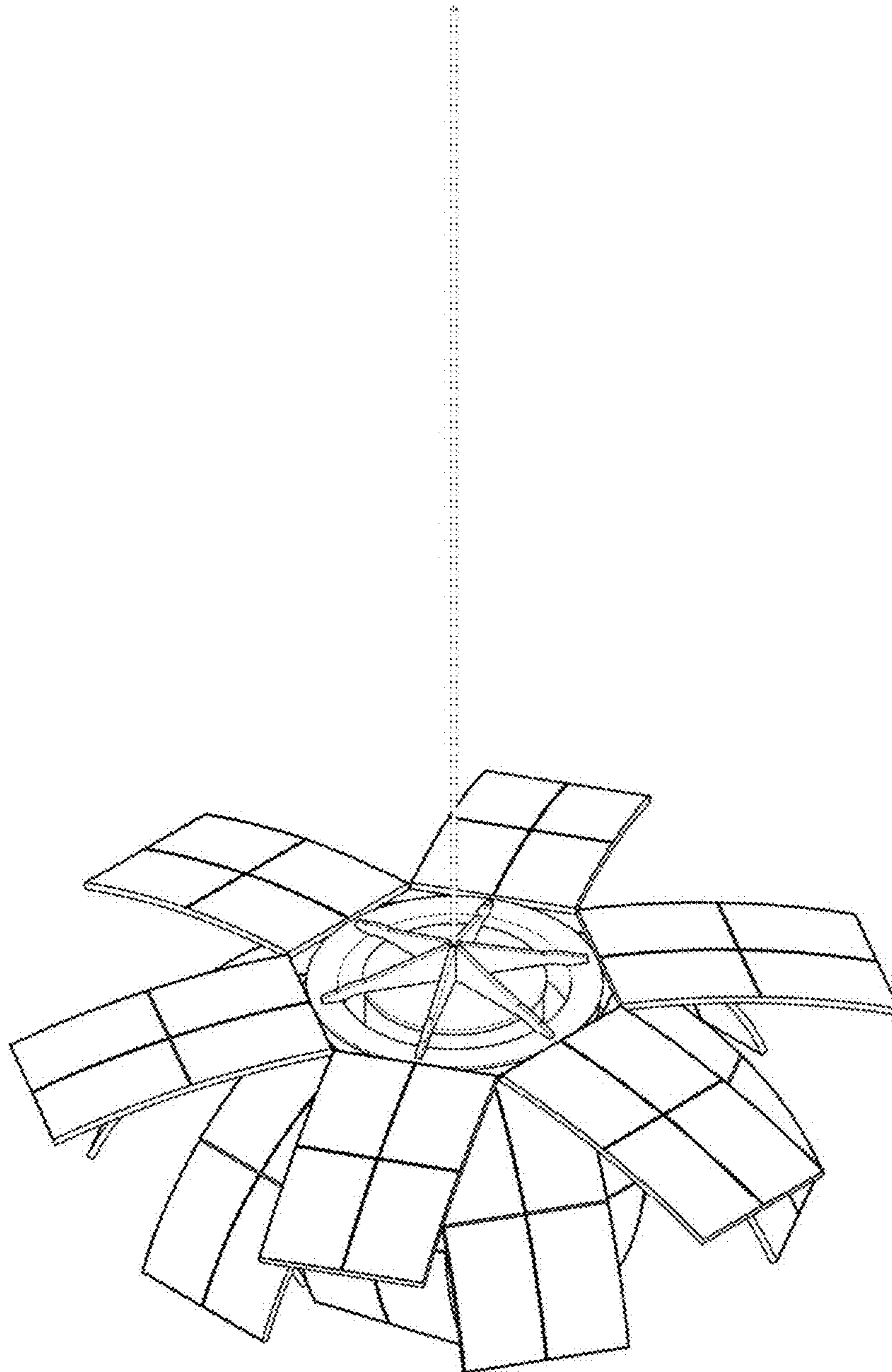
- 1. Digital sign
- 1.1 : Perspective
- 1.2 : Front
- 1.3 : Back
- 1.4 : Left
- 1.5 : Right
- 1.6 : Top
- 1.7 : Bottom

The broken lines indicate unclaimed portions of the article that form no part of the claimed design.

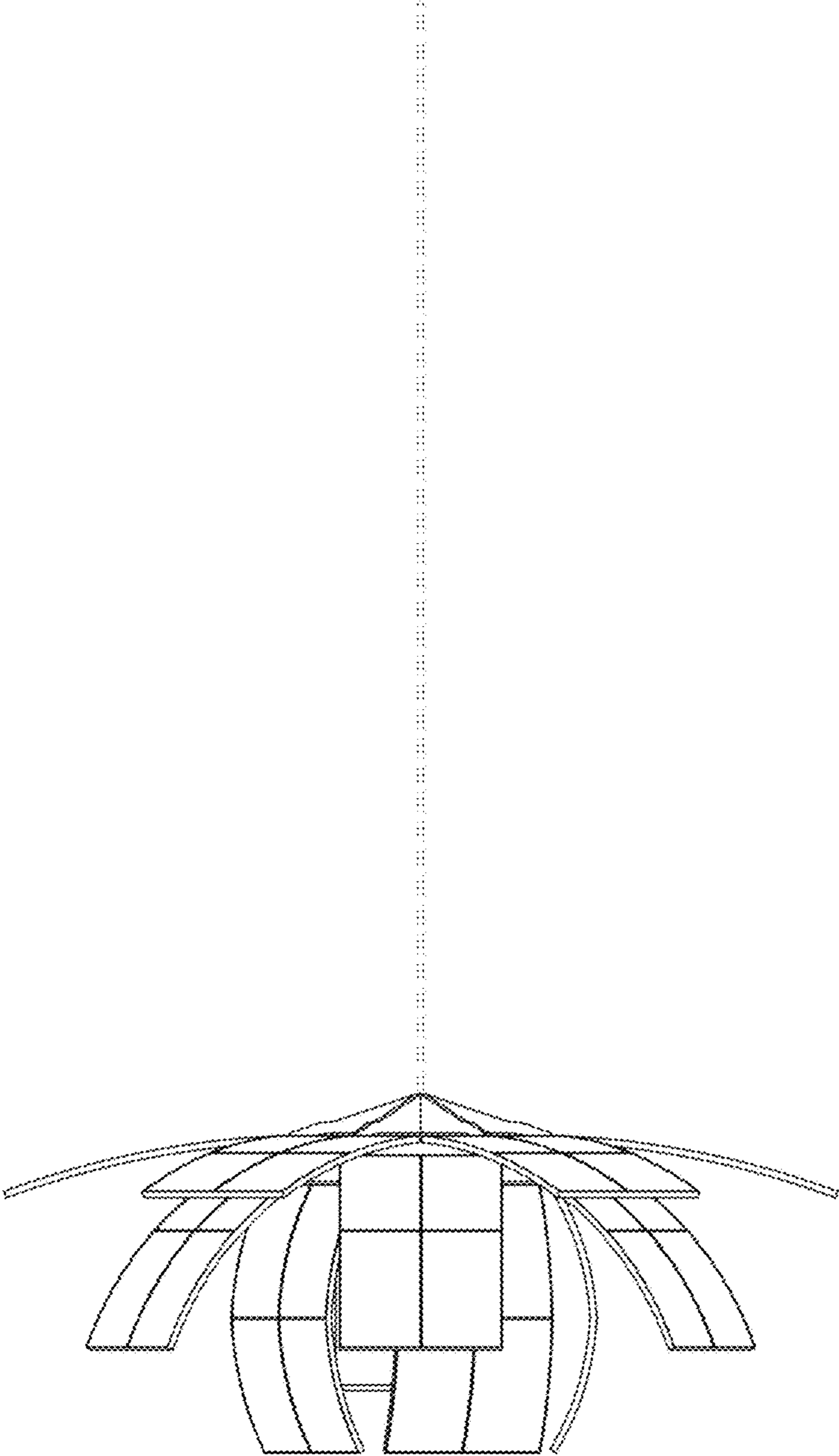
**1 Claim, 7 Drawing Sheets**



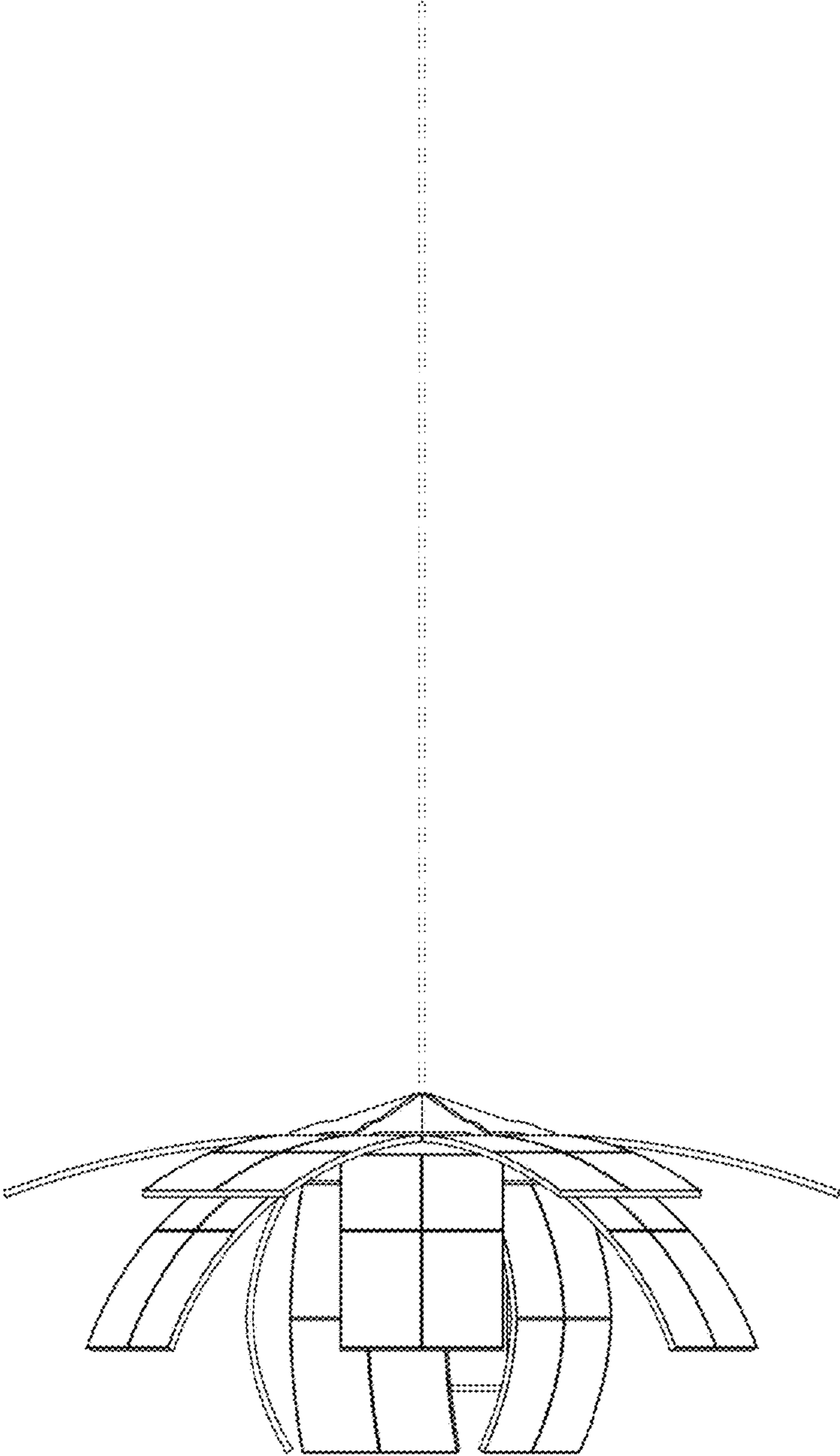
1.1



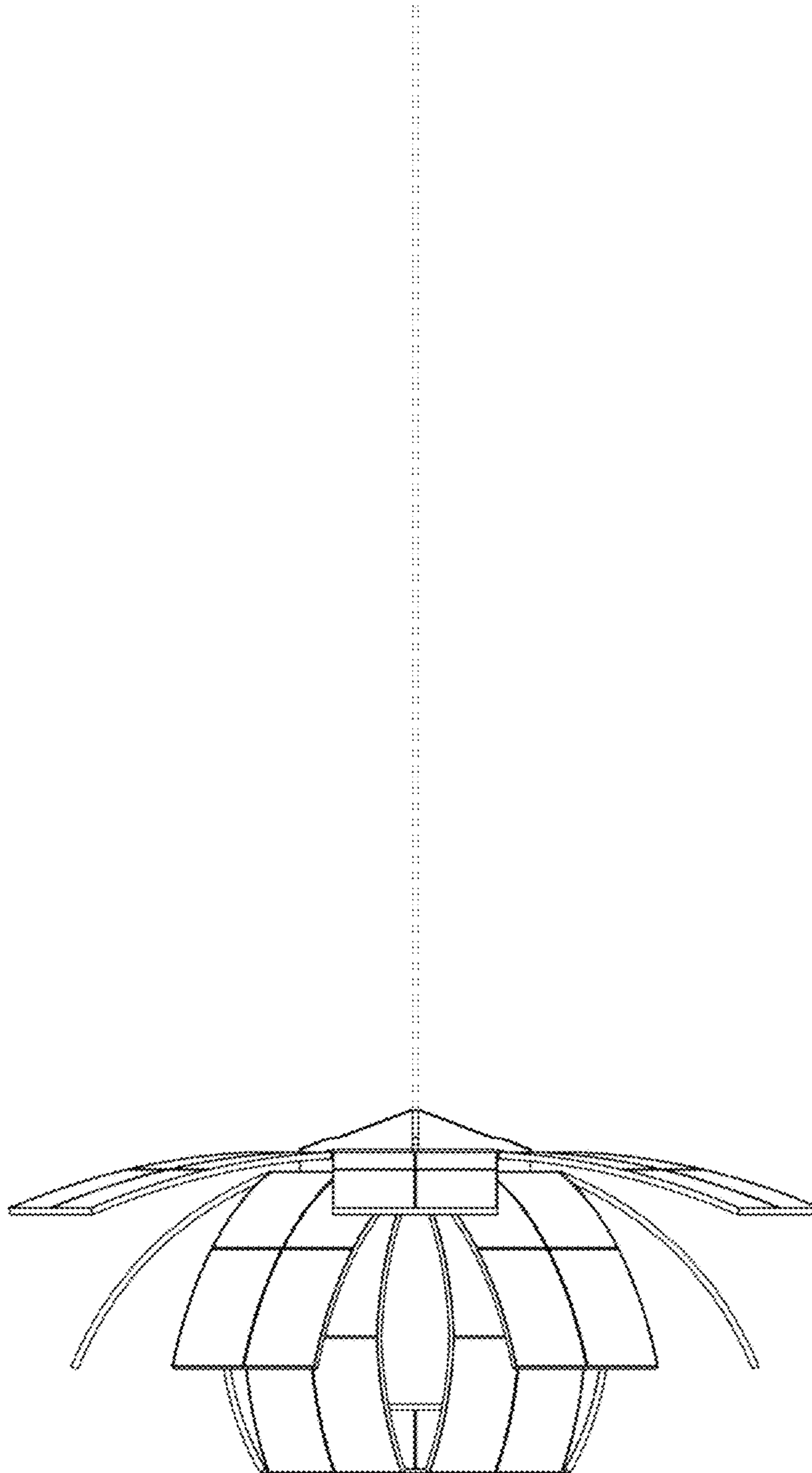
1.2



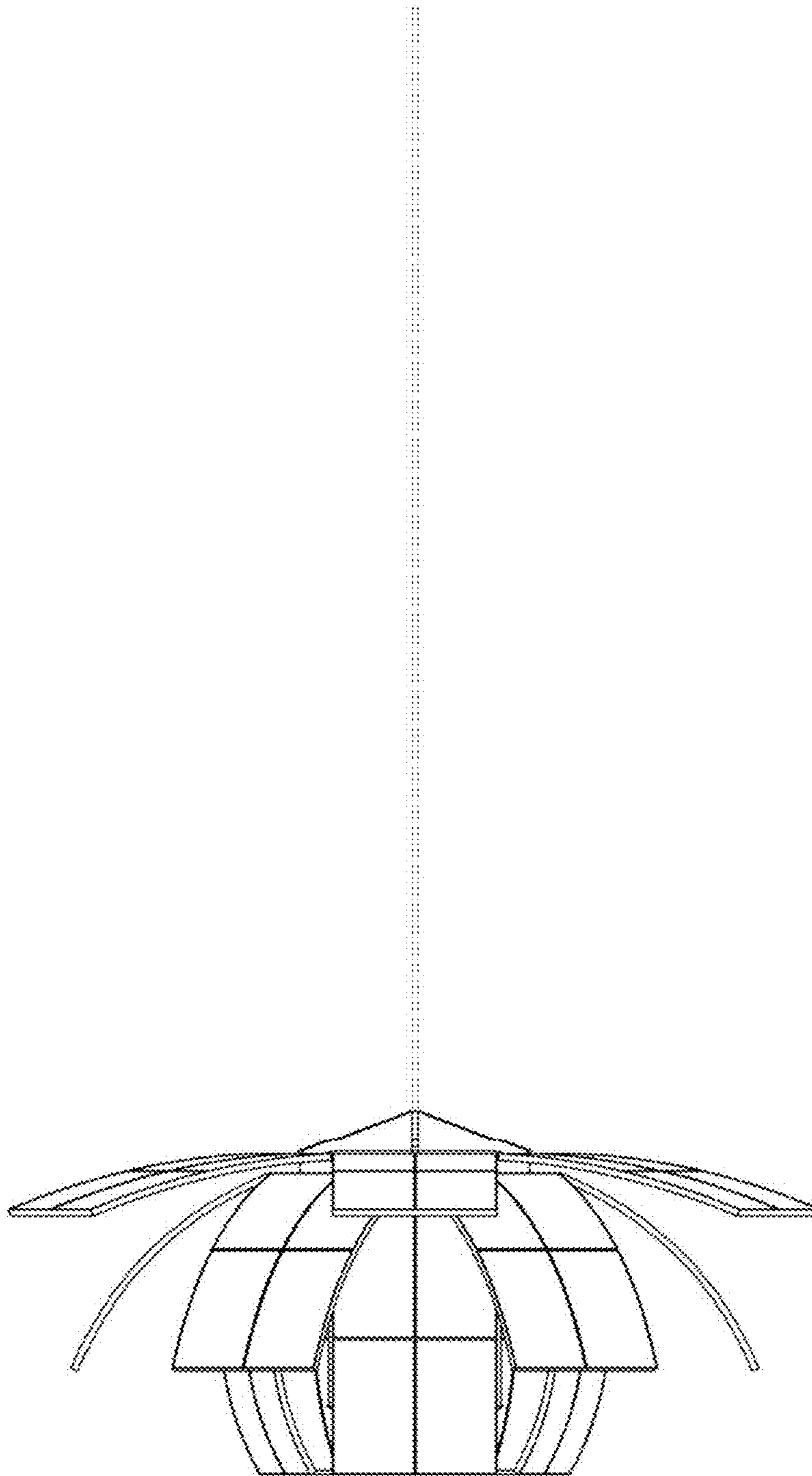
1.3



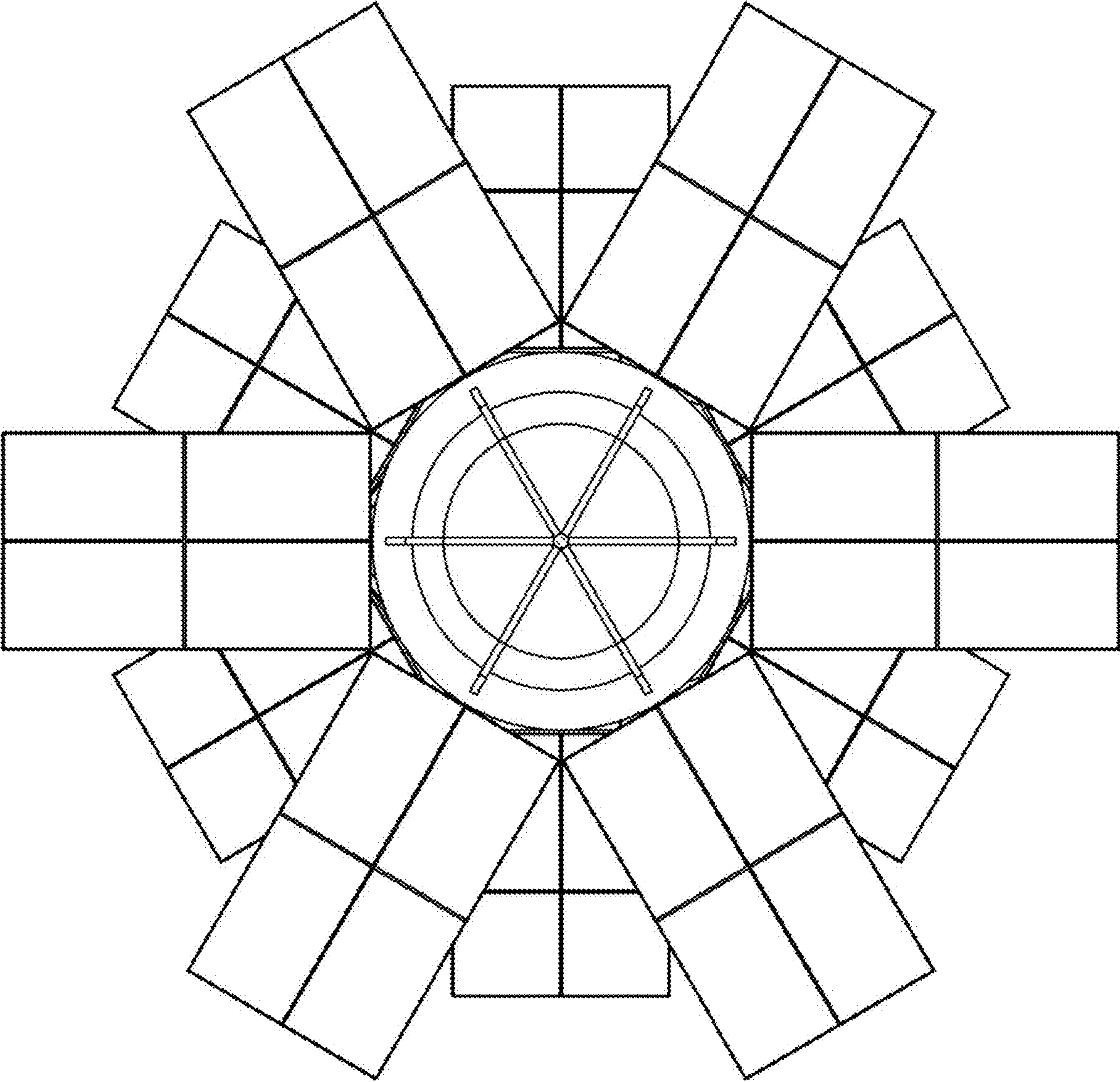
1.4



1.5



1.6



1.7

