



US00D857100S

(12) **United States Design Patent** (10) **Patent No.:** **US D857,100 S**  
**Kwon et al.** (45) **Date of Patent:** **\*\* Aug. 20, 2019**

(54) **DIGITAL SIGN**

- (71) Applicant: **LG ELECTRONICS INC.**, Seoul (KR)
- (72) Inventors: **Areum Kwon**, Seoul (KR); **Sechang Park**, Seoul (KR); **Yongho Lee**, Seoul (KR)
- (73) Assignee: **LG Electronics Inc.**, Seoul (KR)
- (\*\*) Term: **15 Years**
- (21) Appl. No.: **35/505,052**
- (22) Filed: **Dec. 6, 2017**
- (80) **Hague Agreement Data**  
 Int. Filing Date: **Dec. 6, 2017**  
 Int. Reg. No.: **DM/099001**  
 Int. Reg. Date: **Dec. 6, 2017**  
 Int. Reg. Pub. Date: **Jun. 8, 2018**

(30) **Foreign Application Priority Data**

Jun. 7, 2017 (KR) ..... 30-2017-0025804

- (51) **LOC (12) Cl.** ..... **20-03**
- (52) **U.S. Cl.**  
 USPC ..... **D20/10; D20/42**
- (58) **Field of Classification Search**  
 USPC ..... D20/10, 18, 19, 21, 42, 99; D14/127,  
 D14/373; D26/72, 81, 84, 88, 93, 95  
 CPC ... G09F 7/00; G09F 7/02; G09F 13/04; G09F  
 19/02  
 See application file for complete search history.

(56) **References Cited**

**U.S. PATENT DOCUMENTS**

- 3,092,258 A \* 6/1963 Bleed ..... A47F 5/02  
 211/163
- D205,210 S \* 7/1966 Ford et al. .... D20/21
- D305,778 S \* 1/1990 Caulk ..... A47F 5/02  
 D20/21

**OTHER PUBLICATIONS**

Undated sign post base. Screenshot taken Apr. 9, 2019 from www.pinterest.ca:https://www.pinterest.ca/pin/67976275596886537/?Ip=true.\*  
 Bethel International X-Shaped LED Pendant Light Fixture, Black. Undated; 3 pages. Found online Apr. 9, 2019 at: https://www.lowes.ca/pendant-lights/bethel-international-mv04-x-shaped-led-pendant-light-fixture\_13152029.html?af=4360.\*  
 Pinterest.com: Woodified: Directional Signage and Posts. Earliest date Oct. 10, 2015; 4 pages. Found online Apr. 12, 2019 at http://woodified.blogspot.com/2013/05/directional-signage-and-posts.html.\*

\* cited by examiner

*Primary Examiner* — Robert M. Spear  
 (74) *Attorney, Agent, or Firm* — Birch, Stewart, Kolasch & Birch, LLP

(57) **CLAIM**

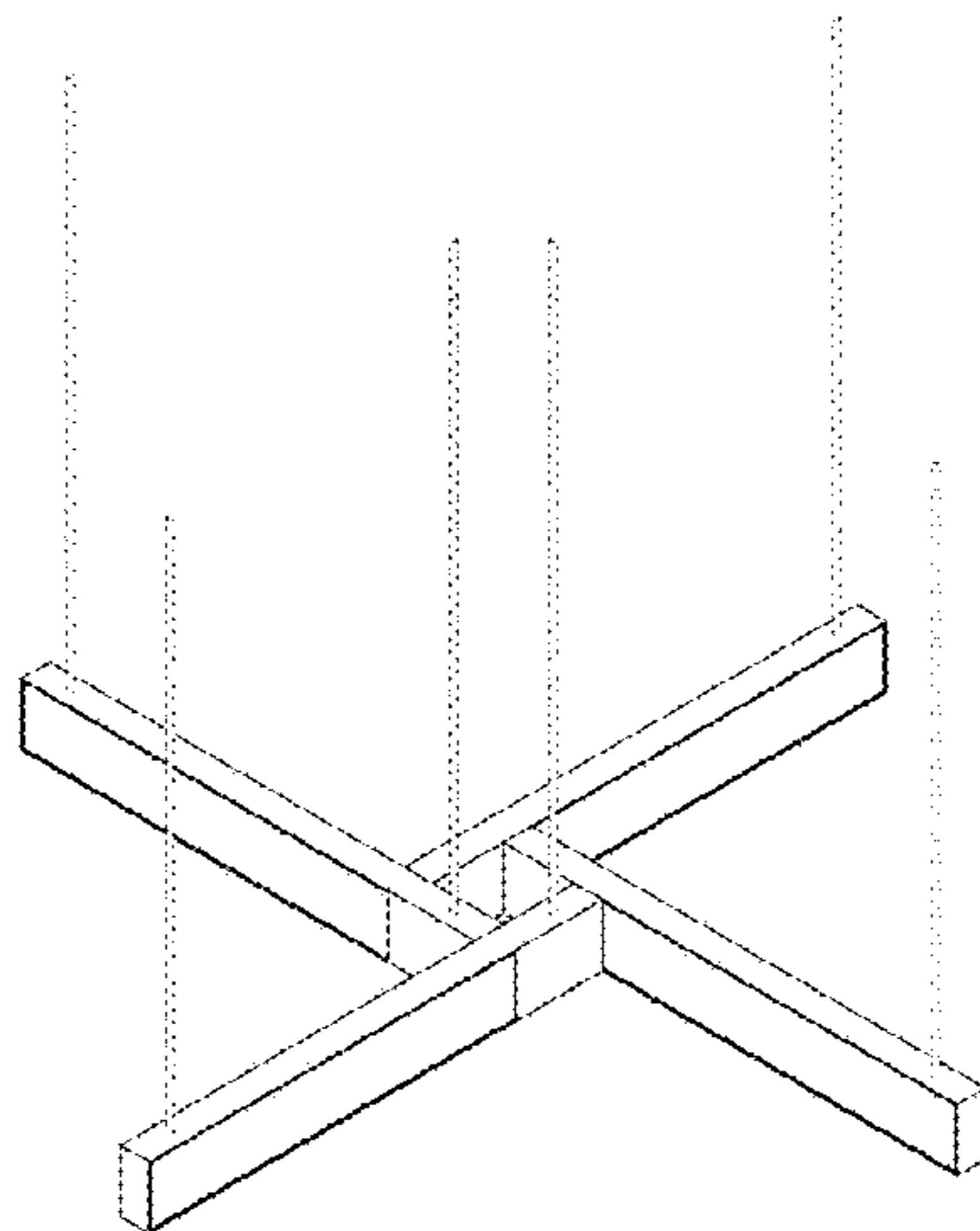
The ornamental design for a digital sign, as shown and described.

**DESCRIPTION**

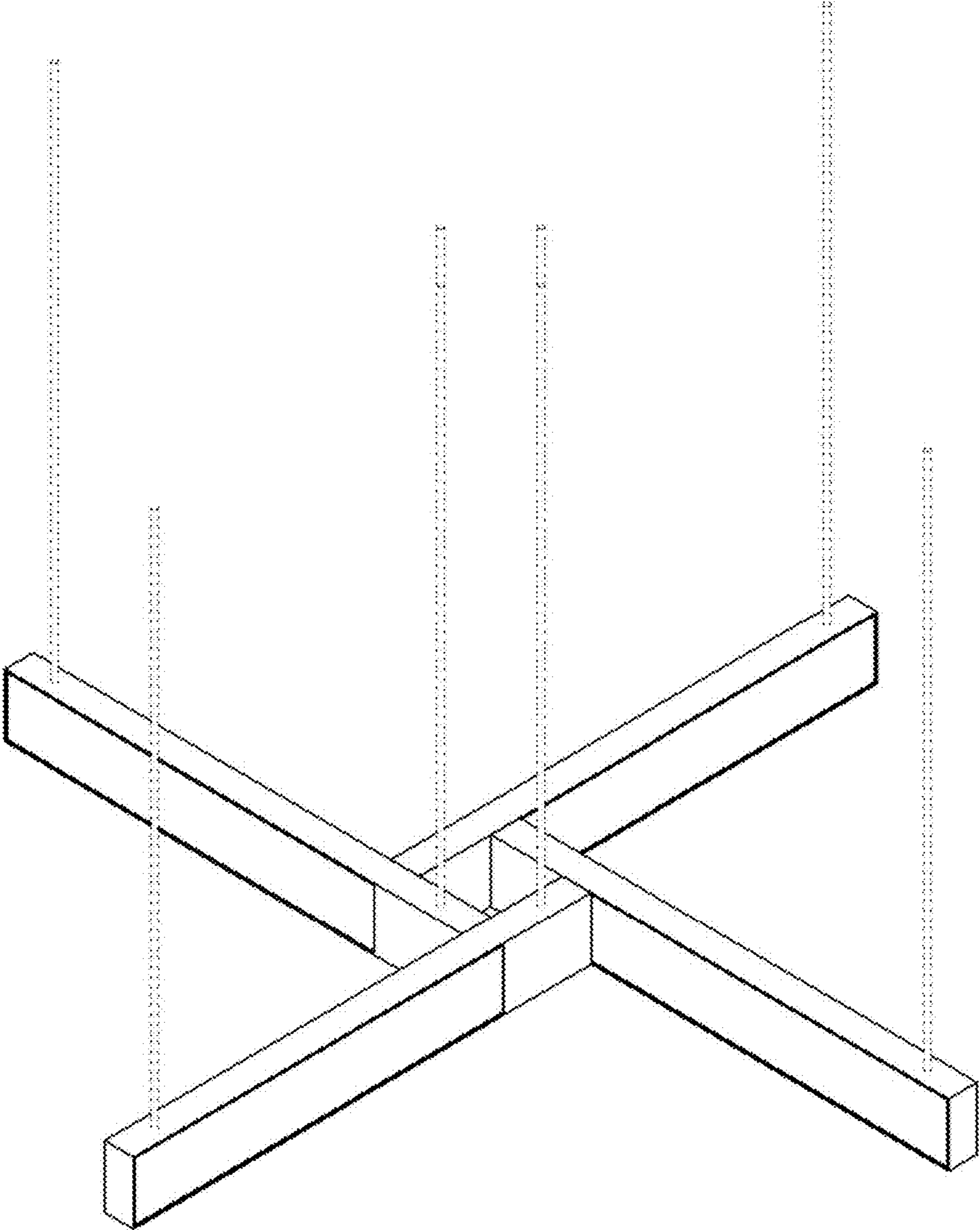
- 1. Digital sign
- 1.1 : Perspective
- 1.2 : Front
- 1.3 : Back
- 1.4 : Left
- 1.5 : Right
- 1.6 : Top
- 1.7 : Bottom

The broken lines indicate unclaimed portions of the article that form no part of the claimed design.

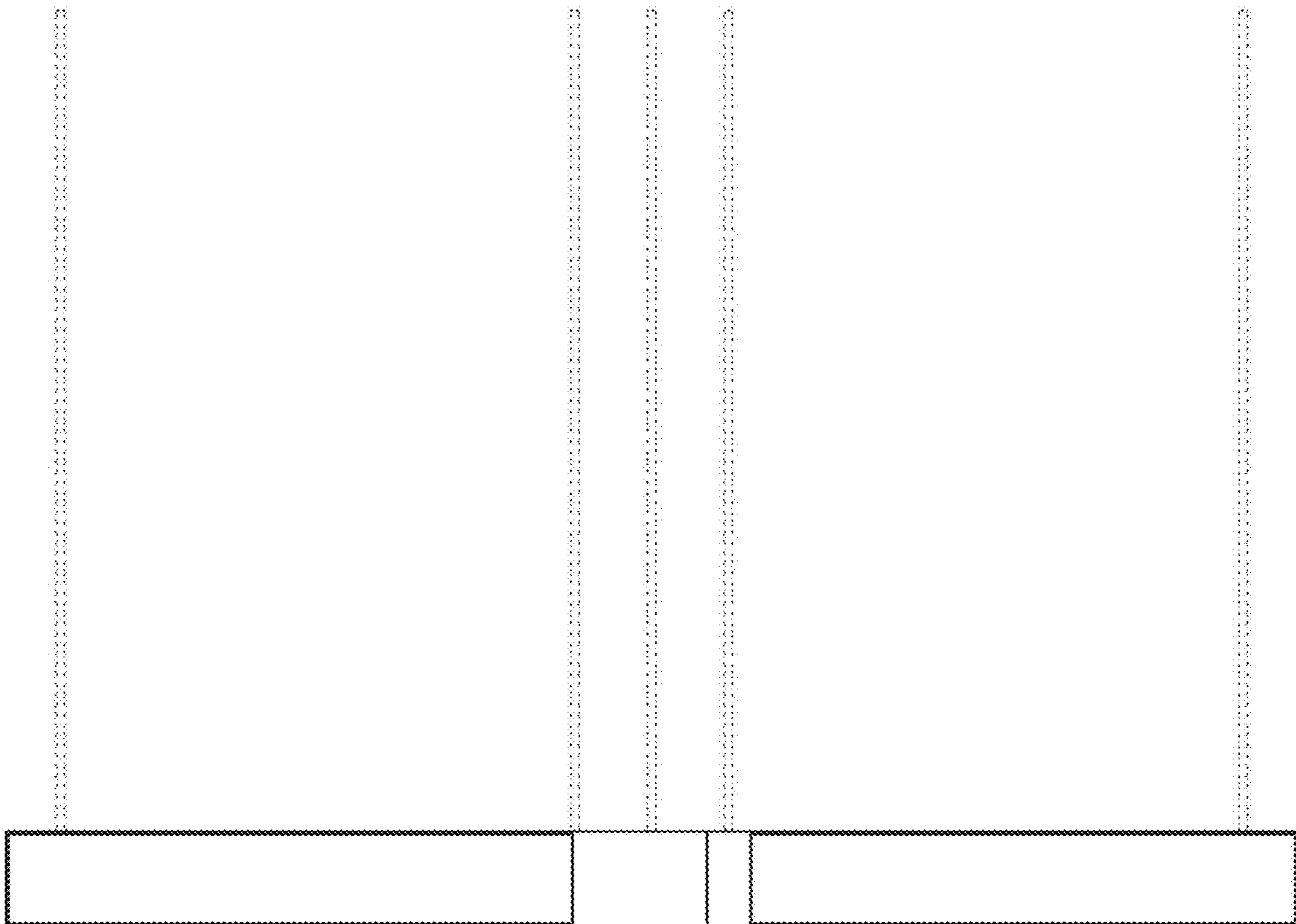
**1 Claim, 7 Drawing Sheets**



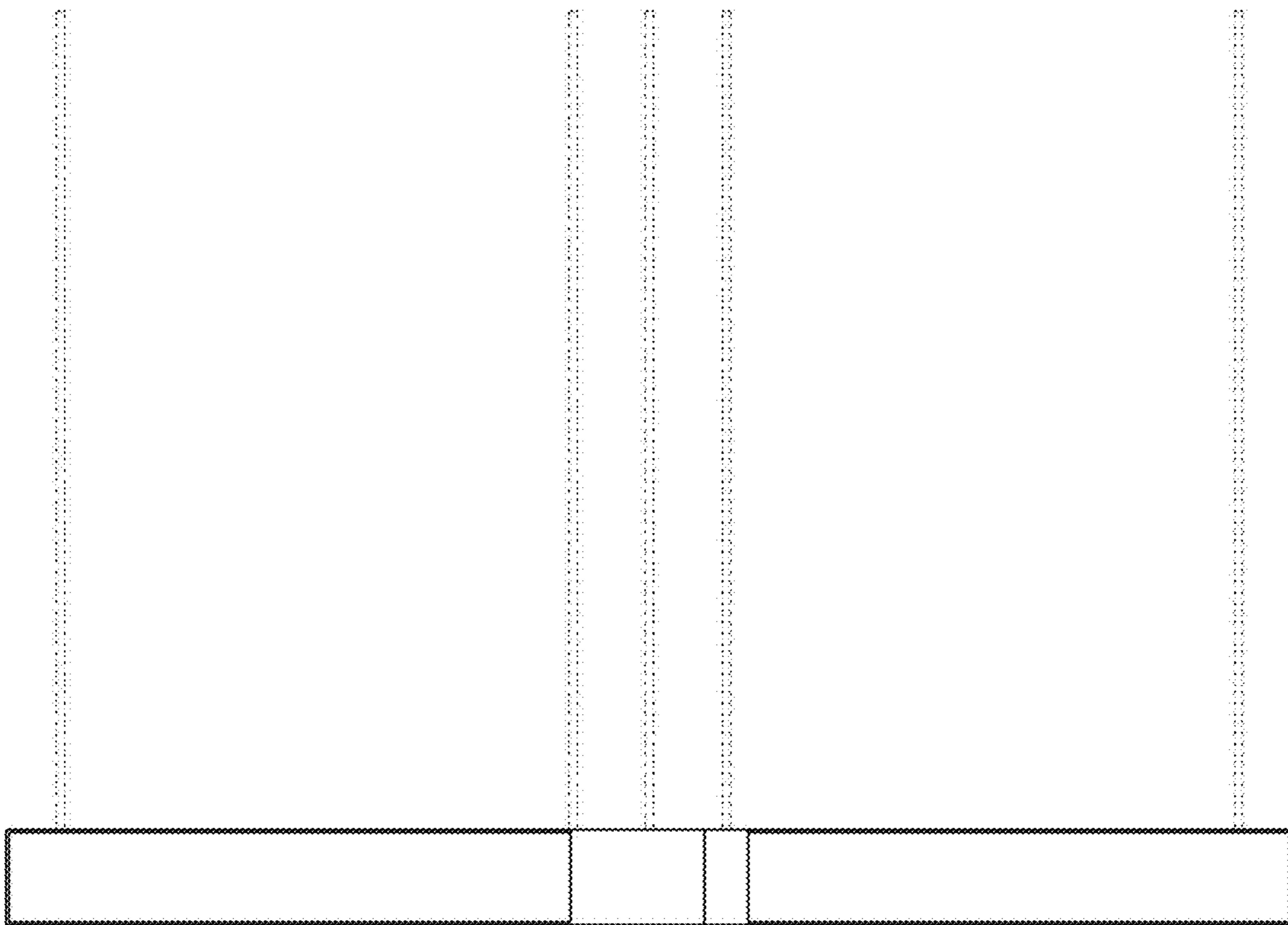
1.1



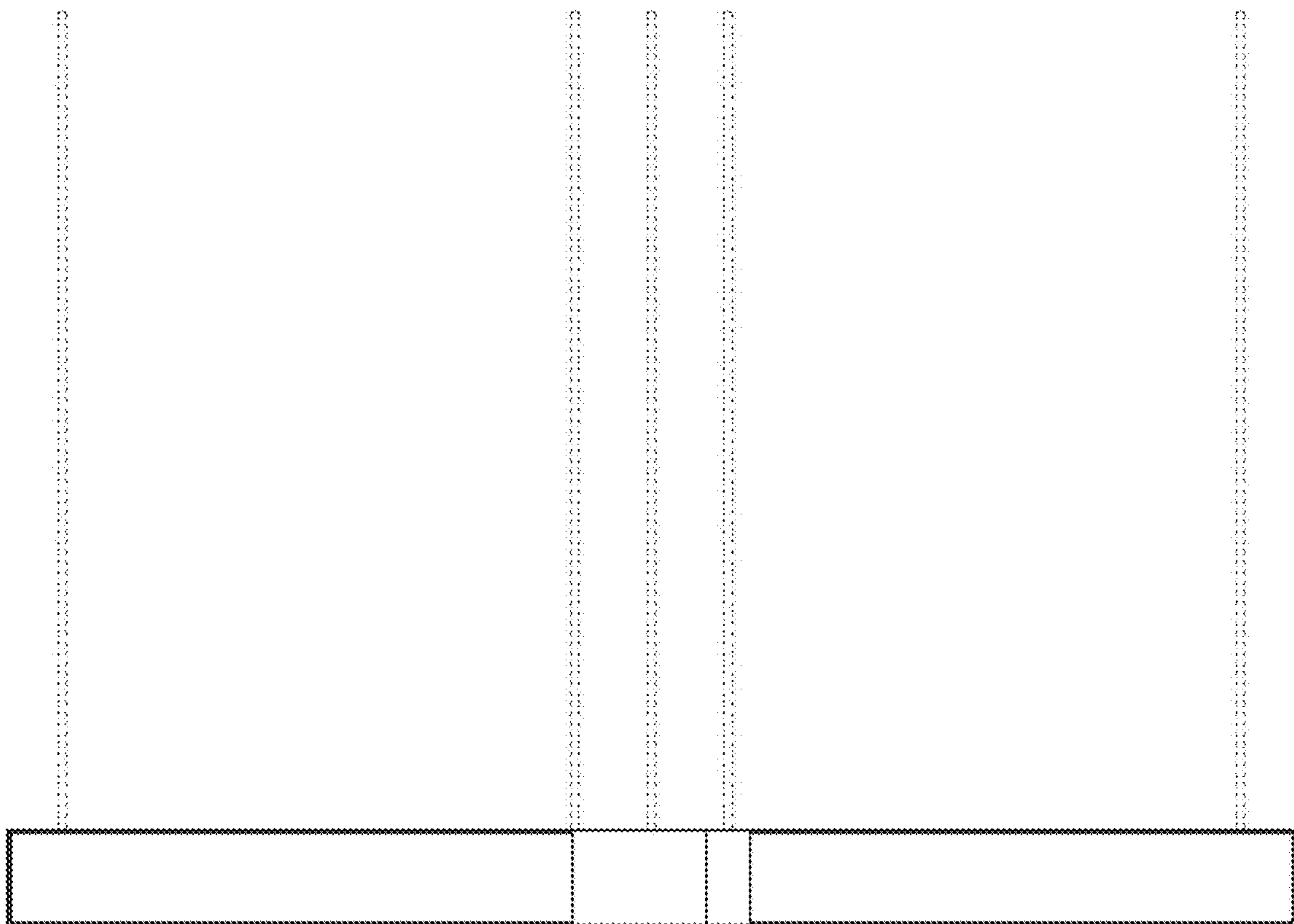
1.2



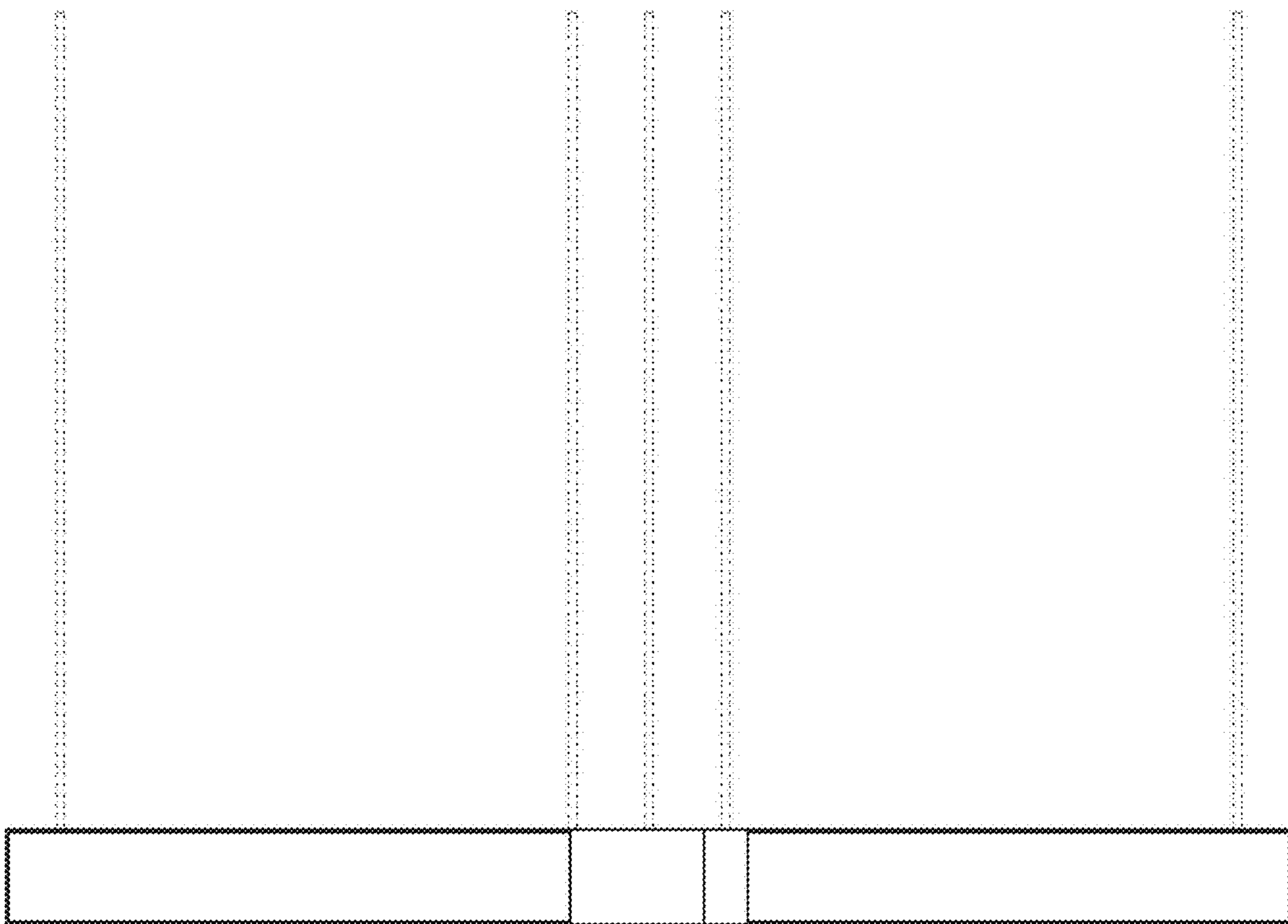
1.3



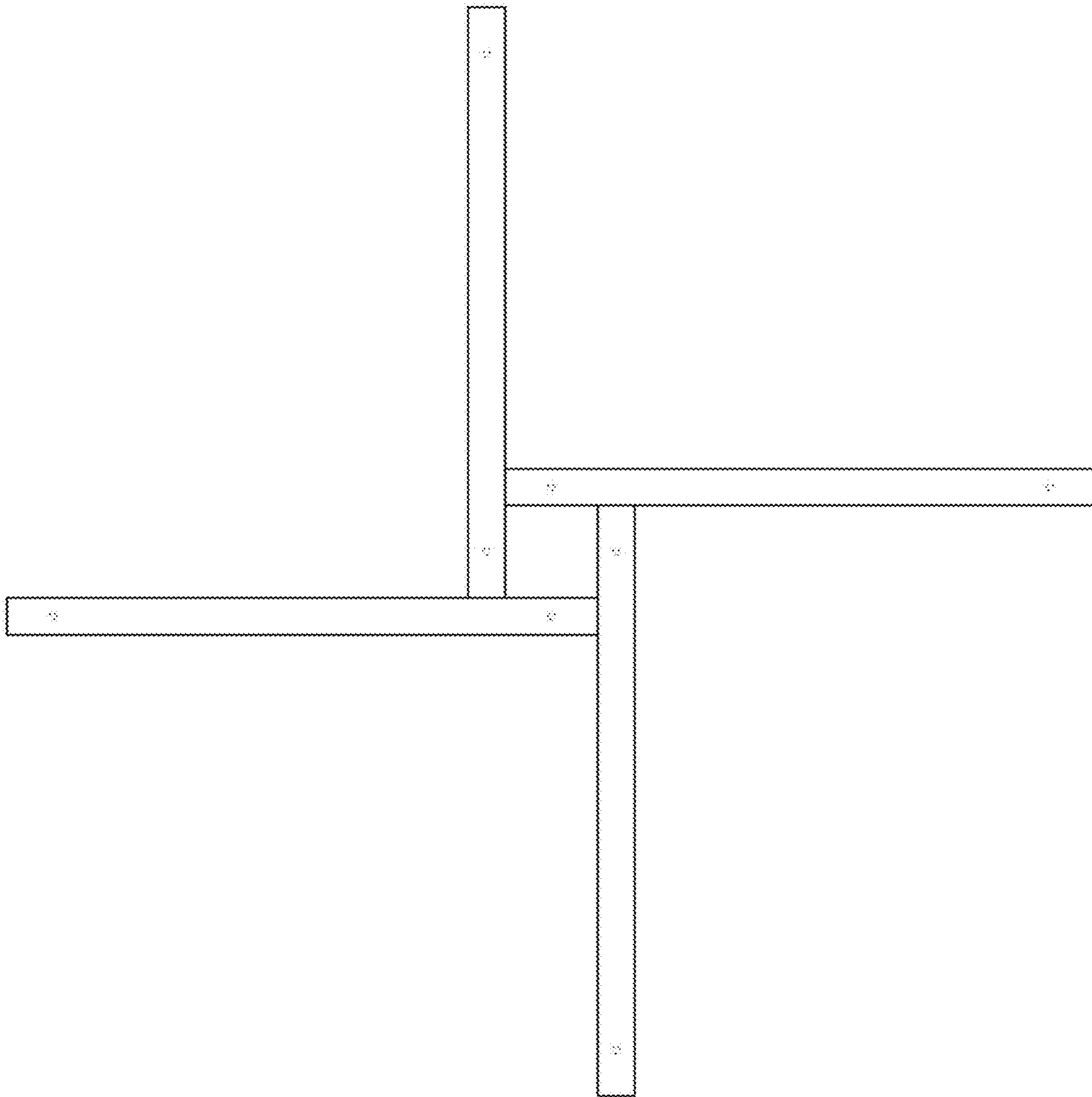
1.4



1.5



1.6



1.7

