



US00D857096S

(12) **United States Design Patent** (10) **Patent No.:** **US D857,096 S**
Fan (45) **Date of Patent:** **** Aug. 20, 2019**

(54) **PEN**
(71) Applicant: **Beifa Group Co., Ltd.**, Ningbo (CN)
(72) Inventor: **Yumeng Fan**, Ningbo (CN)
(73) Assignee: **Beifa Group Co., Ltd.**, Ningbo (CN)
(**) Term: **15 Years**
(21) Appl. No.: **29/635,015**
(22) Filed: **Jan. 26, 2018**

(30) **Foreign Application Priority Data**

Jul. 27, 2017 (CN) 2017 3 0335277

(51) **LOC (12) Cl.** **19-06**

(52) **U.S. Cl.**
USPC **D19/172**

(58) **Field of Classification Search**
USPC D19/115–204; D14/411
CPC . B43K 5/005; B43K 7/12; B43K 8/04; B43K
8/06; B43K 19/00; B43K 19/02; B43K
19/14; B43K 21/006; B43K 21/06
See application file for complete search history.

(56) **References Cited**

U.S. PATENT DOCUMENTS

D444,498 S * 7/2001 Izushima D19/174
D463,822 S * 10/2002 Keda D19/171
D508,077 S * 8/2005 Bhavnani D14/411
D522,579 S * 6/2006 Sim D19/119
D559,318 S * 1/2008 Qiu D19/172
D562,891 S * 2/2008 Qiu D19/172
D563,473 S * 3/2008 Qiu D19/172
D573,640 S * 7/2008 Qiu D19/174
D580,493 S * 11/2008 Fei D19/171

D583,413 S * 12/2008 Li D19/172
D604,362 S * 11/2009 Suero, Jr. D19/174
D607,932 S * 1/2010 Zhang D19/172
D612,425 S * 3/2010 Suero, Jr. D19/171
D628,641 S * 12/2010 Zhang D19/172
D656,193 S * 3/2012 Yuan D19/172
D669,900 S * 10/2012 Schlosstein D14/480.3
D683,400 S * 5/2013 Xie D19/172
D692,483 S * 10/2013 Laemle D19/172
D692,484 S * 10/2013 Laemle D19/172
D697,971 S * 1/2014 Jin D19/172
D718,387 S * 11/2014 Kim D19/172
D771,749 S * 11/2016 Boisdeveysys D19/171
D835,718 S * 12/2018 Fan D19/173

* cited by examiner

Primary Examiner — Elizabeth A. Albert

(74) *Attorney, Agent, or Firm* — Seed Intellectual Property Law Group LLP

(57) **CLAIM**

The ornamental design for a pen, as shown and described.

DESCRIPTION

FIG. 1 is a front right perspective view of a pen showing my new design.

FIG. 2 is a front elevation view thereof.

FIG. 3 is a rear elevation view thereof.

FIG. 4 is a right side elevation view thereof, with the left side elevation view being a mirror image of the right side elevation view.

FIG. 5 is a top plan view thereof.

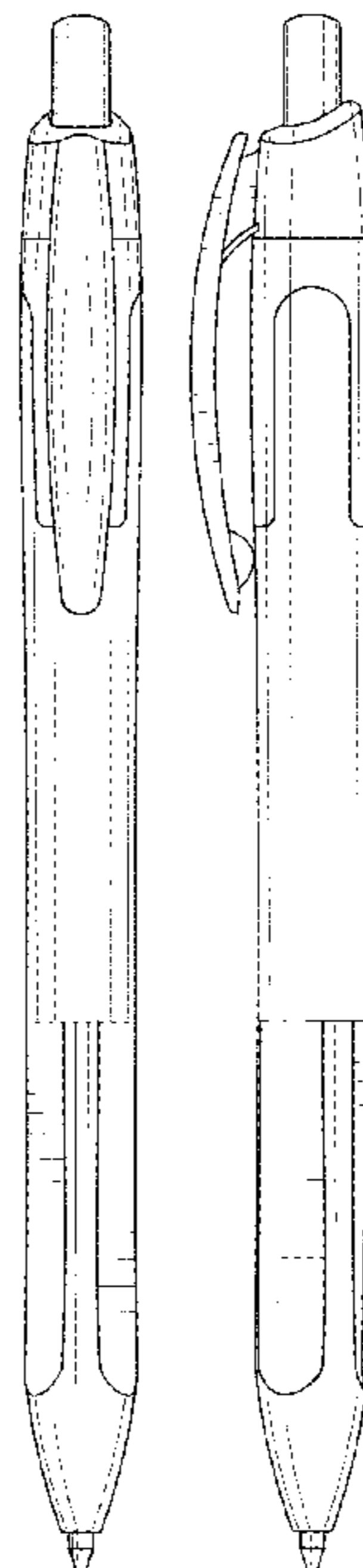
FIG. 6 is a bottom plan view thereof.

FIG. 7 is an enlarged top plan view thereof; and,

FIG. 8 is an enlarged bottom plan view thereof.

The broken lines shown in FIGS. 5 and 7 define the bounds of the claimed design and form no part thereof.

1 Claim, 3 Drawing Sheets



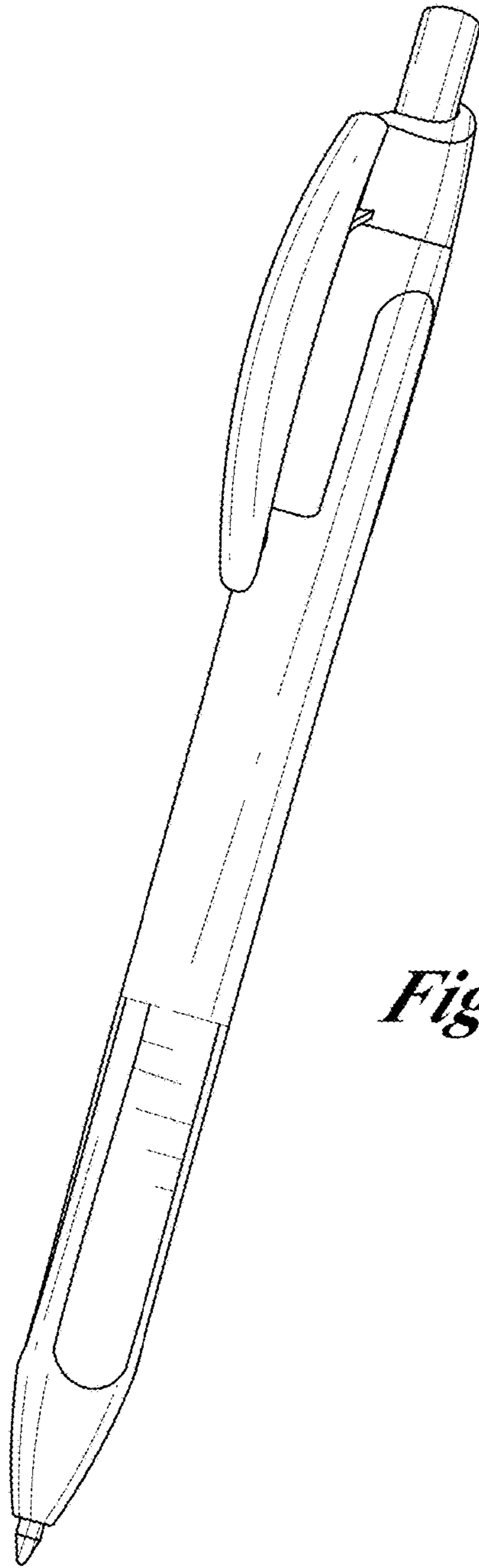


Fig. 1.

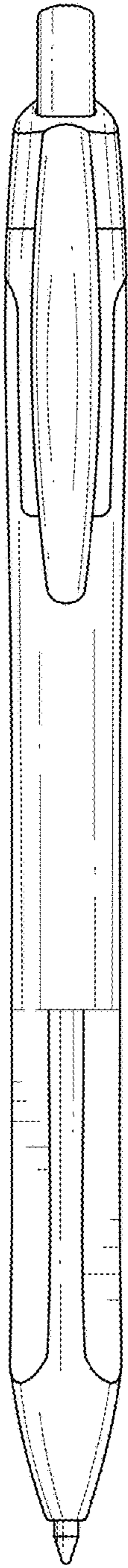


Fig. 2.

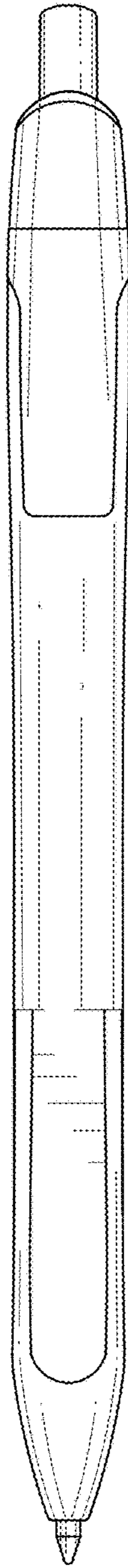


Fig. 3.

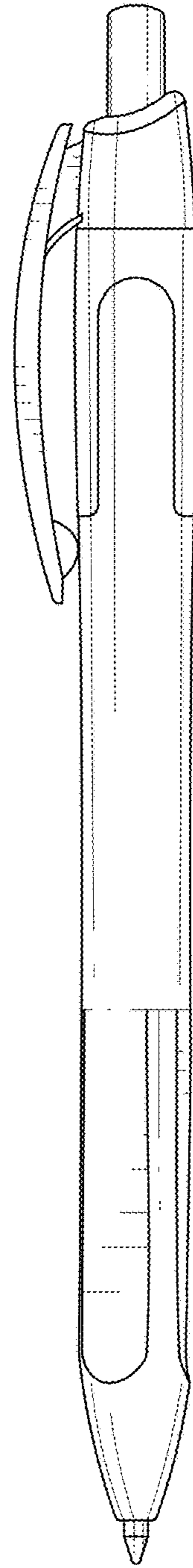


Fig. 4.

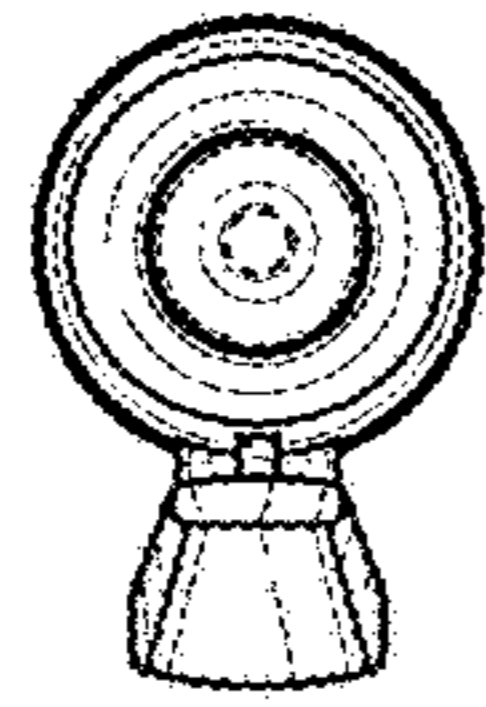


Fig. 5.

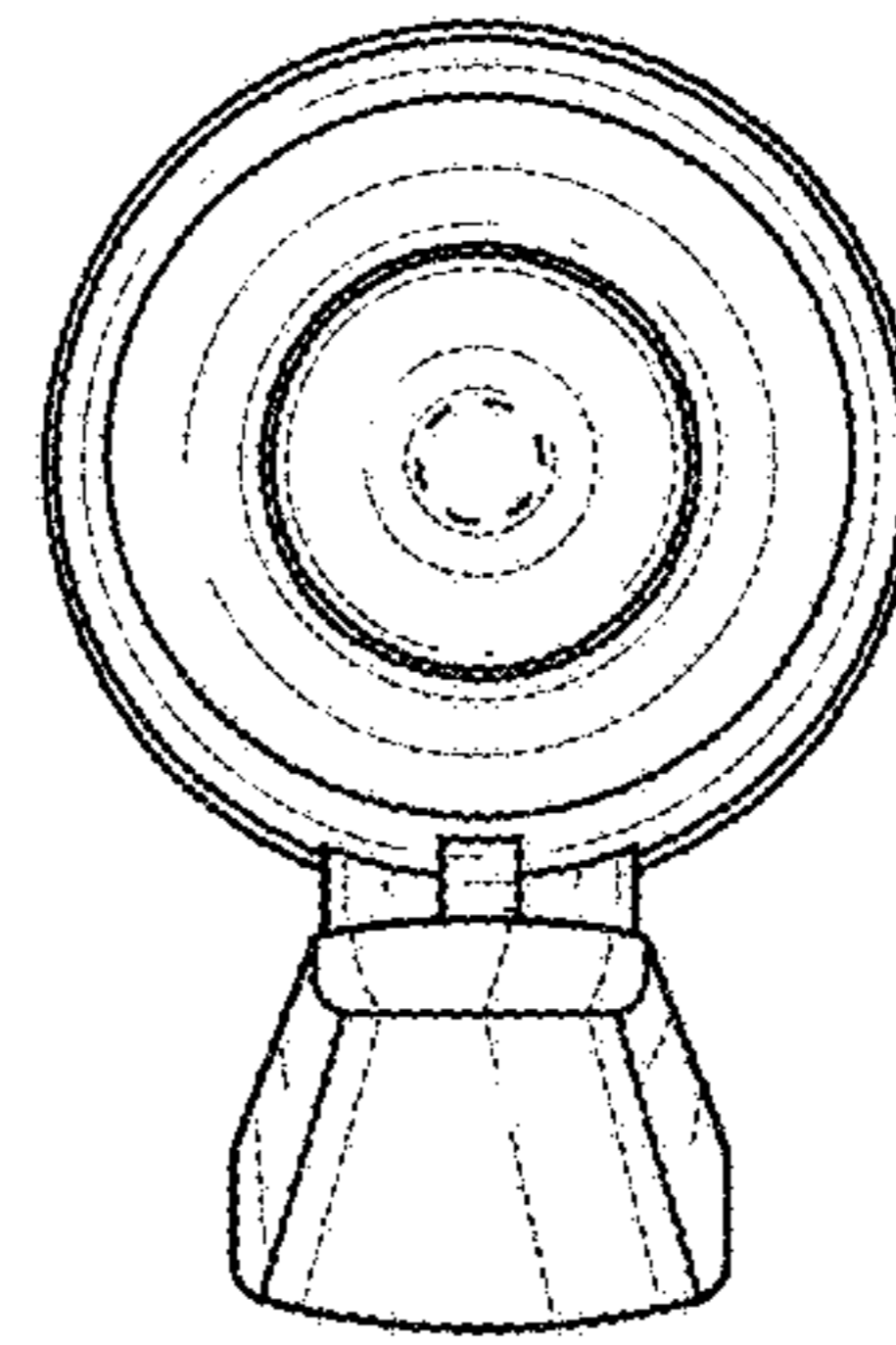


Fig. 7.

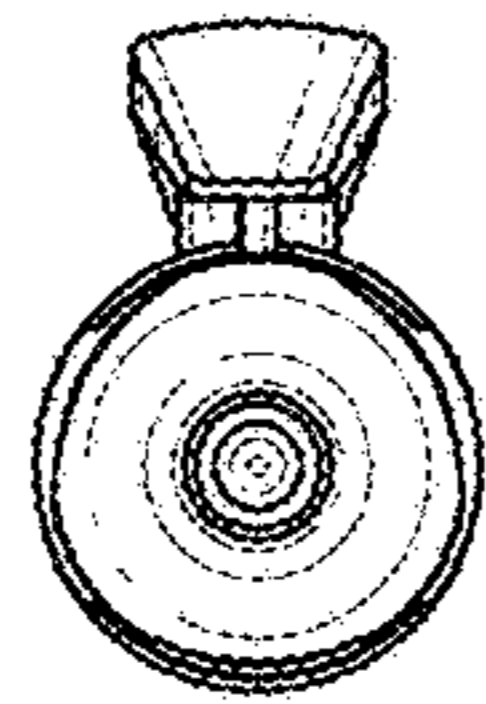


Fig. 6.

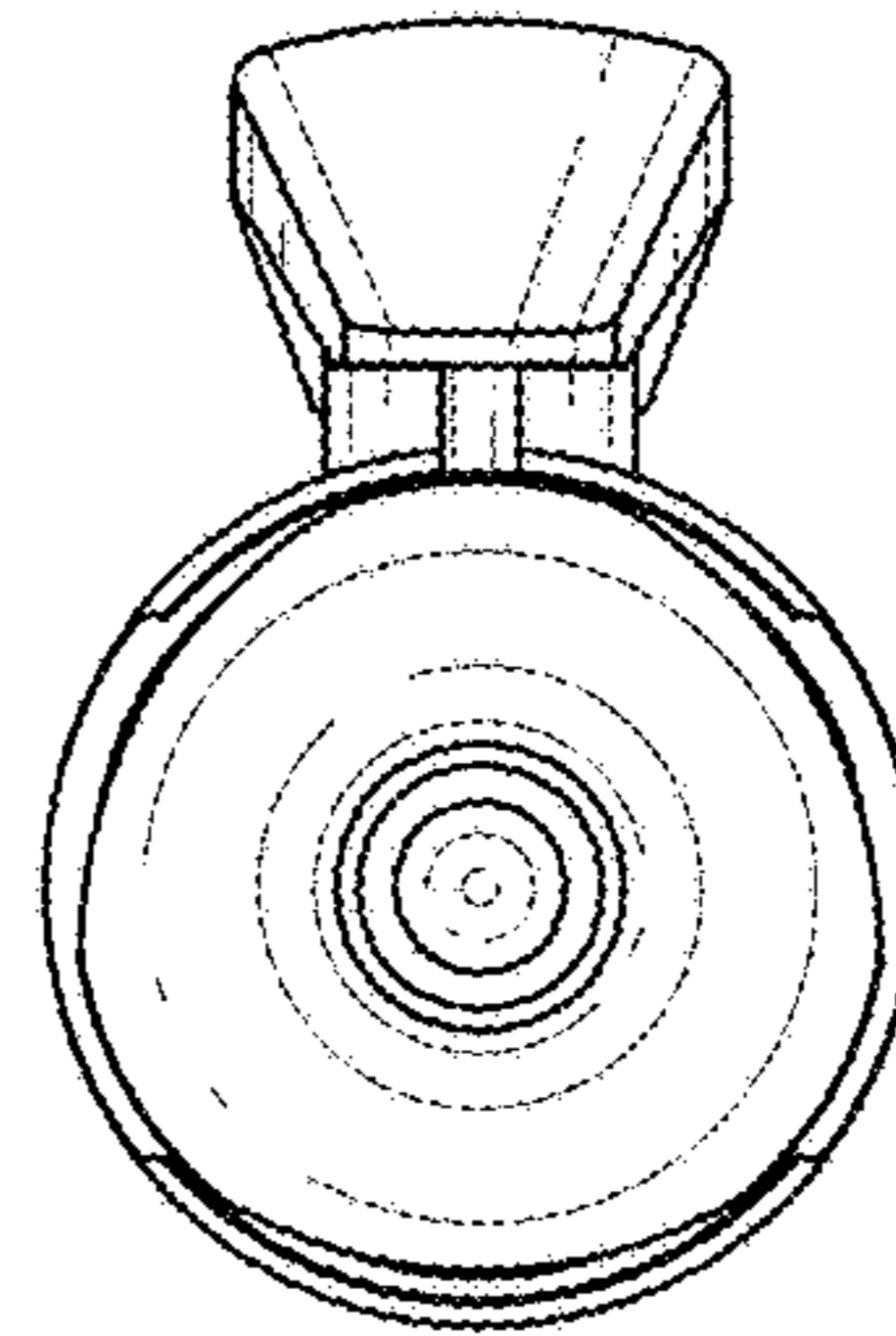


Fig. 8.