



US00D857094S

(12) **United States Design Patent**
Tsai

(10) **Patent No.:** **US D857,094 S**

(45) **Date of Patent:** **** Aug. 20, 2019**

(54) **FILE ORGANIZER**

(71) Applicant: **Tsung-Yu Tsai**, Changhua (TW)

(72) Inventor: **Tsung-Yu Tsai**, Changhua (TW)

(**) Term: **15 Years**

(21) Appl. No.: **29/642,221**

(22) Filed: **Mar. 28, 2018**

(51) **LOC (12) Cl.** **19-02**

(52) **U.S. Cl.**
USPC **D19/90**

(58) **Field of Classification Search**

USPC D19/3, 75, 77-78, 86-92; D3/313, 901;
D6/553, 566, 560, 570; D7/590, 601,
D7/640, 641; D28/73
CPC A47B 63/00; B42D 5/005; B42D 5/006;
B42D 5/007; B43M 99/00; B43M 99/001;
B43M 99/006; B43M 99/007; B43M
99/008; B43M 99/009

See application file for complete search history.

(56) **References Cited**

U.S. PATENT DOCUMENTS

| | | | | | | |
|-----------|-----|---------|------------|-------|------------|-----------|
| 301,204 | A * | 7/1884 | Berry | | A47F 7/163 | 211/45 |
| 2,686,675 | A * | 8/1954 | Shedd | | A63F 1/12 | 211/50 |
| 2,793,760 | A * | 5/1957 | Zel Joe | | A47F 5/13 | 211/130.1 |
| D189,356 | S * | 11/1960 | Kolkey | | D6/678.4 | |
| D221,703 | S * | 8/1971 | Fleming | | D19/90 | |
| 4,318,478 | A * | 3/1982 | De Winter | | A47J 47/16 | 206/373 |
| 4,410,093 | A * | 10/1983 | Chiariello | | B42F 17/12 | 211/11 |
| 4,593,822 | A * | 6/1986 | Yeane | | A61L 2/26 | 211/41.8 |

| | | | | | | |
|--------------|------|---------|---------|-------|------------|--------|
| D433,712 | S * | 11/2000 | Walsh | | D19/75 | |
| D555,203 | S * | 11/2007 | Goodman | | D19/90 | |
| D579,691 | S * | 11/2008 | Snider | | D6/675.2 | |
| D585,094 | S * | 1/2009 | Smith | | D19/90 | |
| D689,945 | S * | 9/2013 | Hu | | D19/90 | |
| D717,371 | S * | 11/2014 | Tsai | | D19/90 | |
| D719,610 | S * | 12/2014 | Tsai | | D19/90 | |
| 9,050,848 | B2 * | 6/2015 | Tsai | | B42F 7/10 | |
| D742,145 | S * | 11/2015 | Hsu | | D6/683.1 | |
| D756,458 | S * | 5/2016 | Tsai | | D19/90 | |
| D758,488 | S * | 6/2016 | Tsai | | D19/92 | |
| D776,196 | S * | 1/2017 | Tsai | | D19/90 | |
| D780,262 | S * | 2/2017 | Tsai | | D19/90 | |
| D841,091 | S * | 2/2019 | Tuang | | D19/92 | |
| D841,734 | S * | 2/2019 | Tuang | | D19/90 | |
| 2011/0062093 | A1 * | 3/2011 | McGhee | | A47B 43/00 | 211/50 |

* cited by examiner

Primary Examiner — Elizabeth A. Albert

(74) *Attorney, Agent, or Firm* — Muncy, Geissler, Olds & Lowe, P.C.

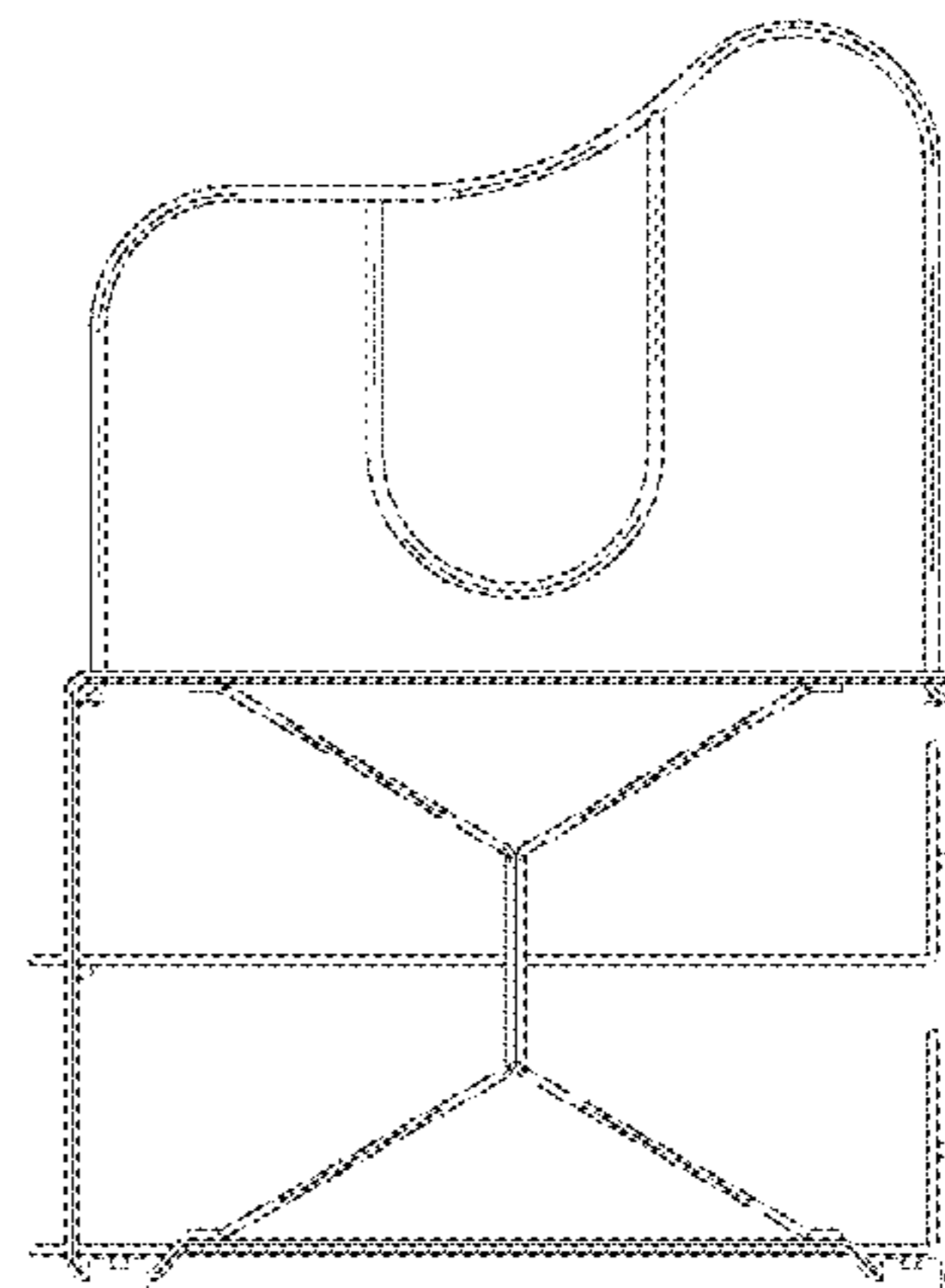
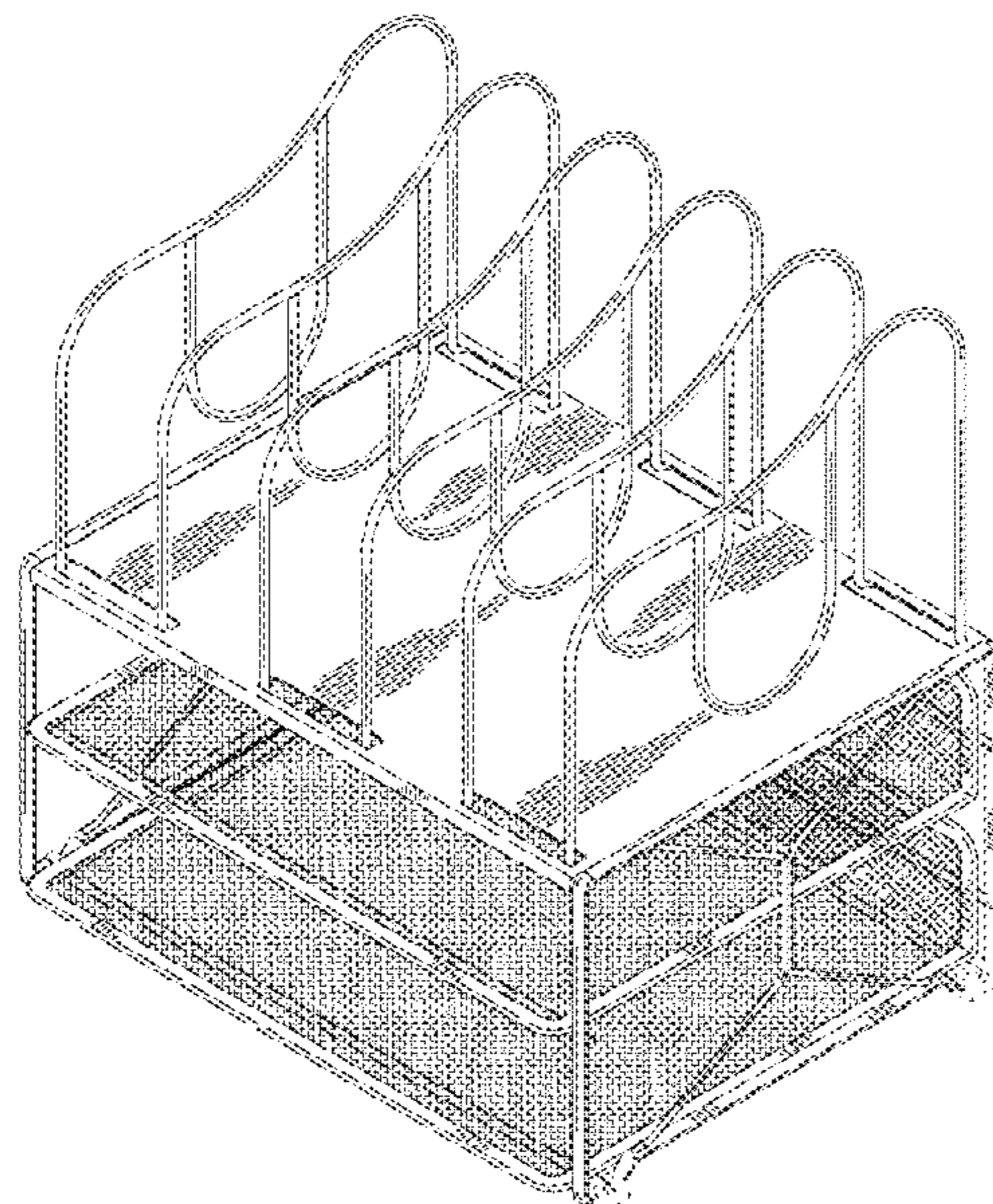
(57) **CLAIM**

The ornamental design for a file organizer, as shown and described.

DESCRIPTION

FIG. 1 is a perspective view of a file organizer, showing the new design;
FIG. 2 is a front elevational view thereof;
FIG. 3 is a rear elevational view thereof;
FIG. 4 is a left side elevational view thereof;
FIG. 5 is a right side elevational view thereof;
FIG. 6 is a top plan view thereof; and,
FIG. 7 is a bottom plan view thereof.
The broken lines showing the feet and all the mesh are included to show portions of the file organizer that form no part of the claimed design.

1 Claim, 7 Drawing Sheets



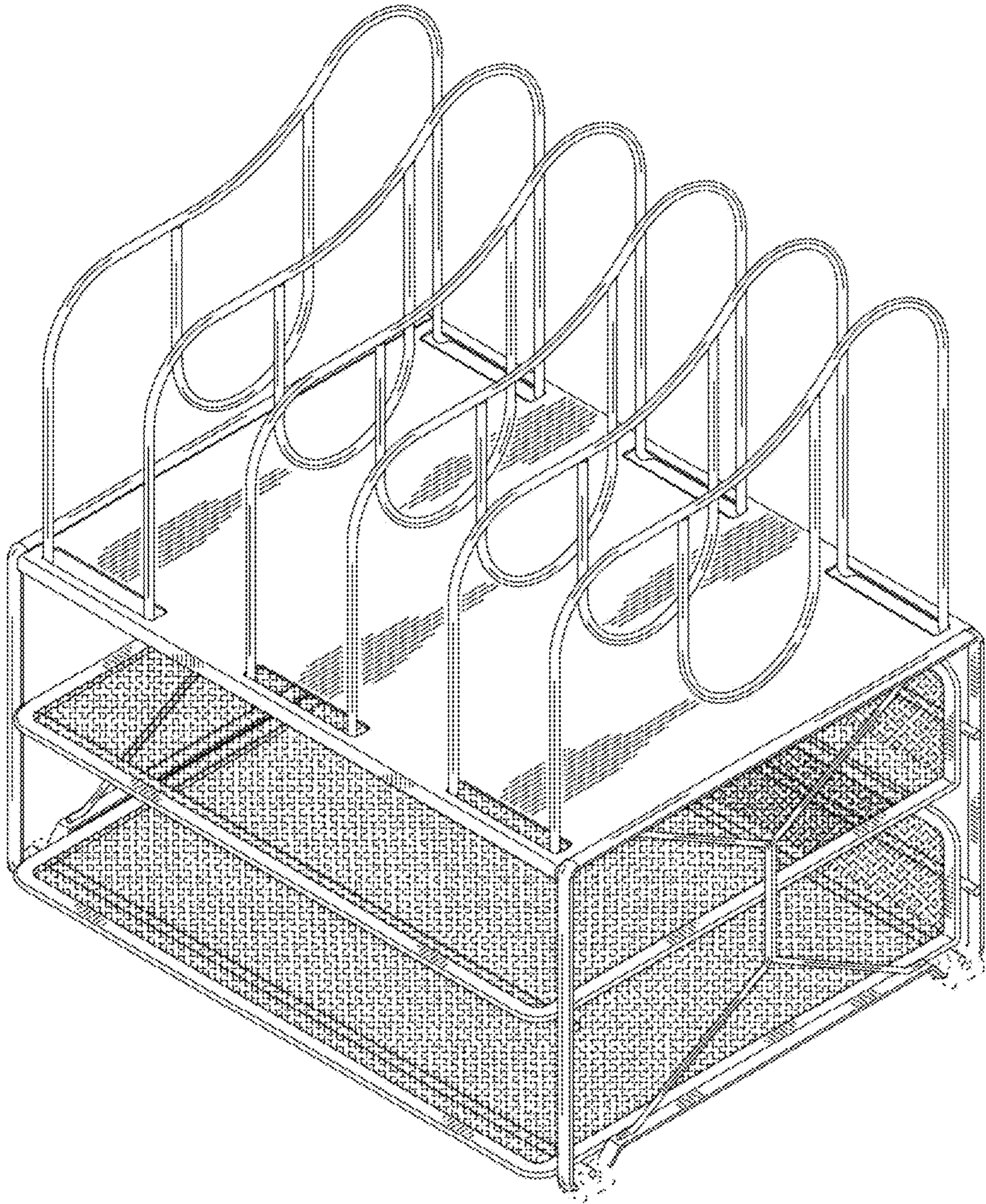


FIG. 1

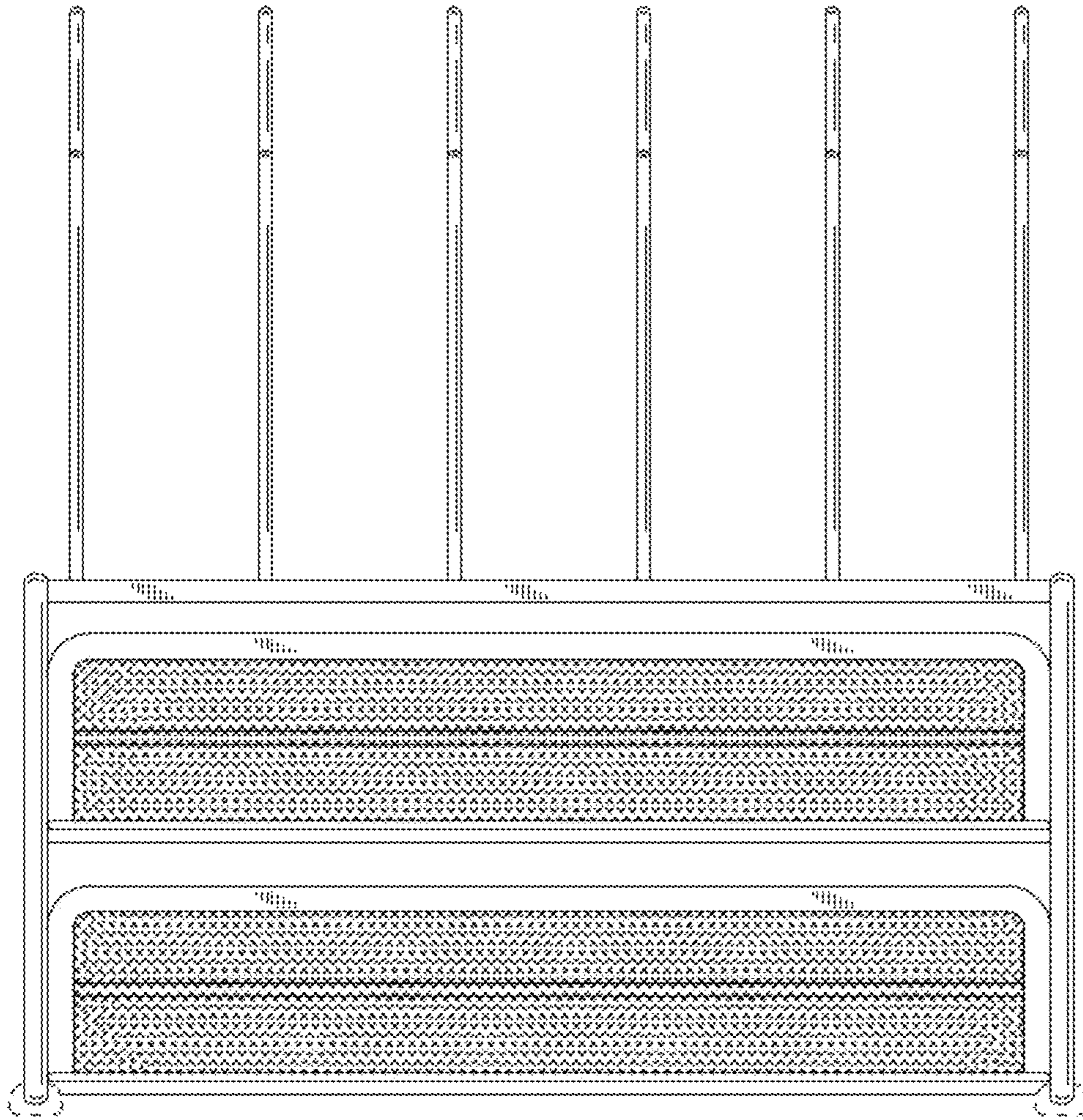


FIG. 2

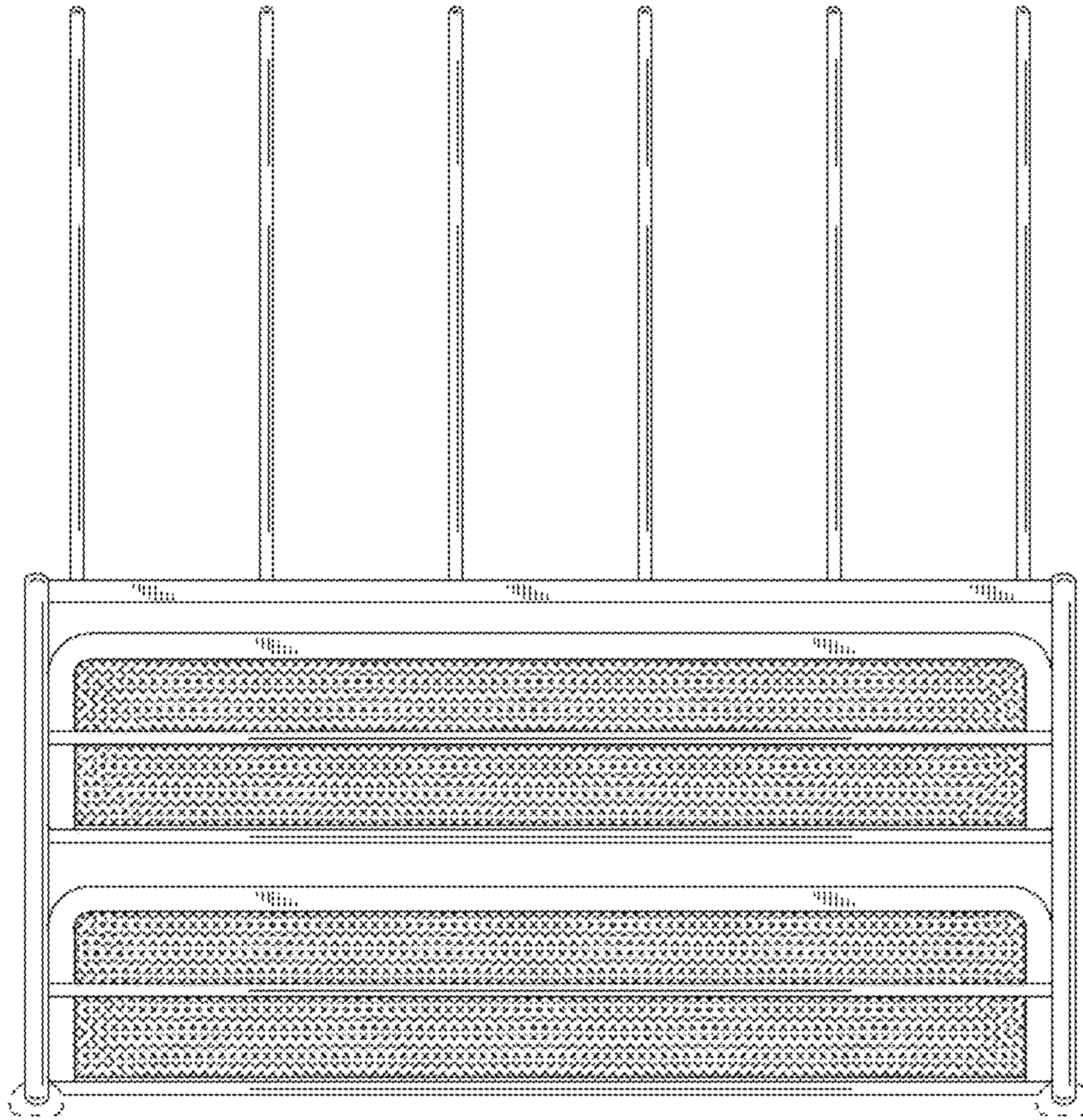


FIG. 3

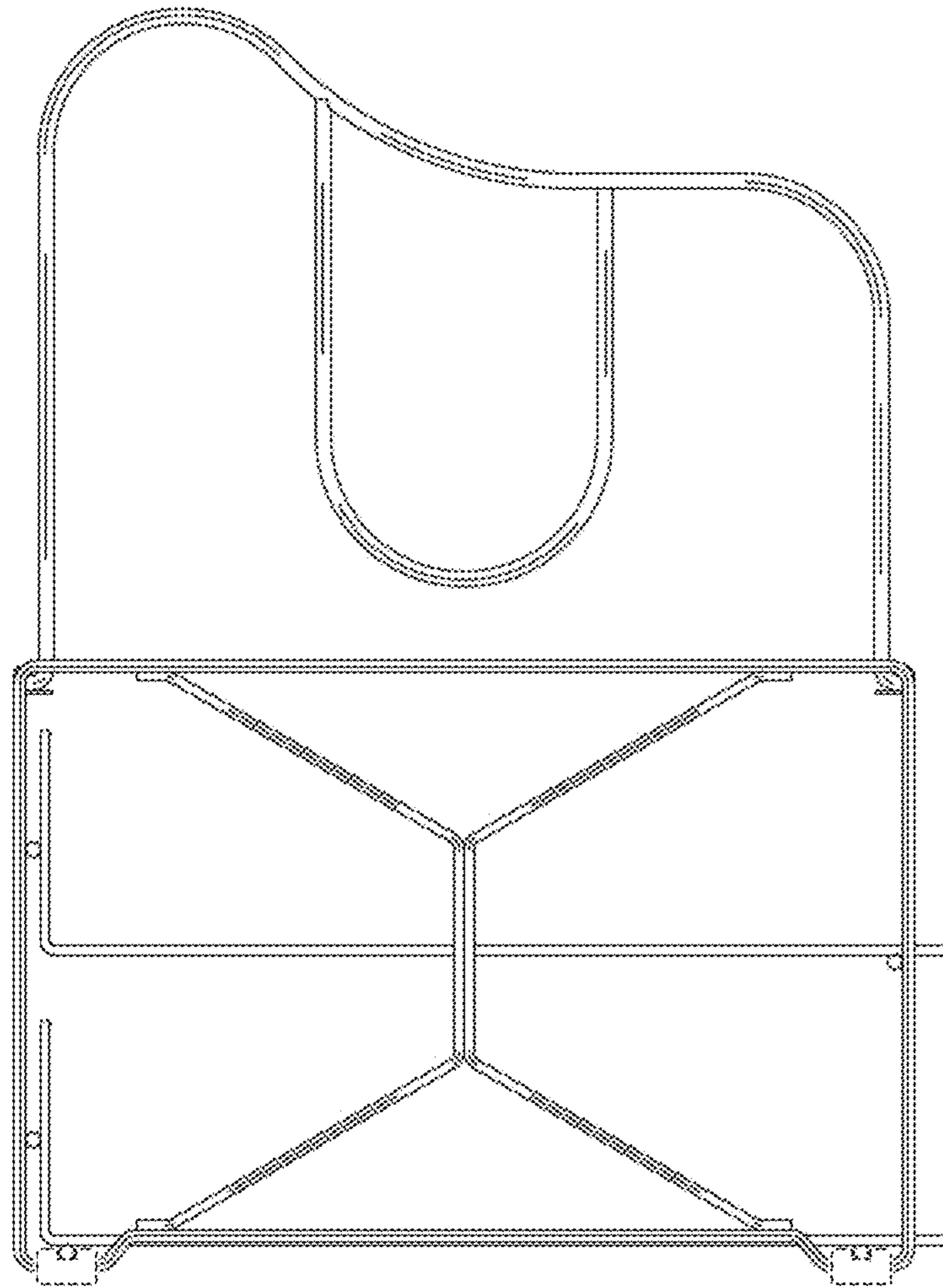


FIG. 4

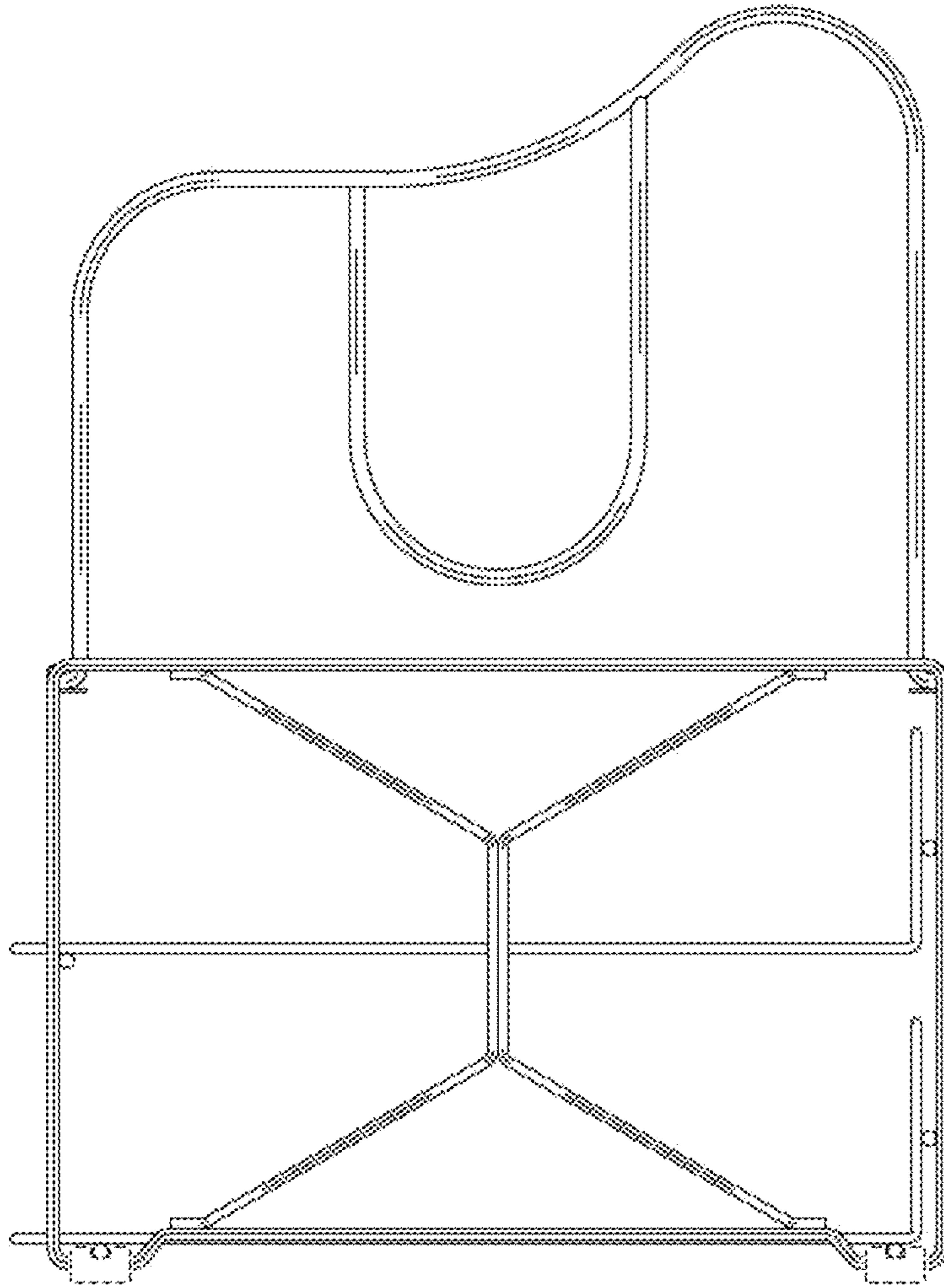


FIG. 5

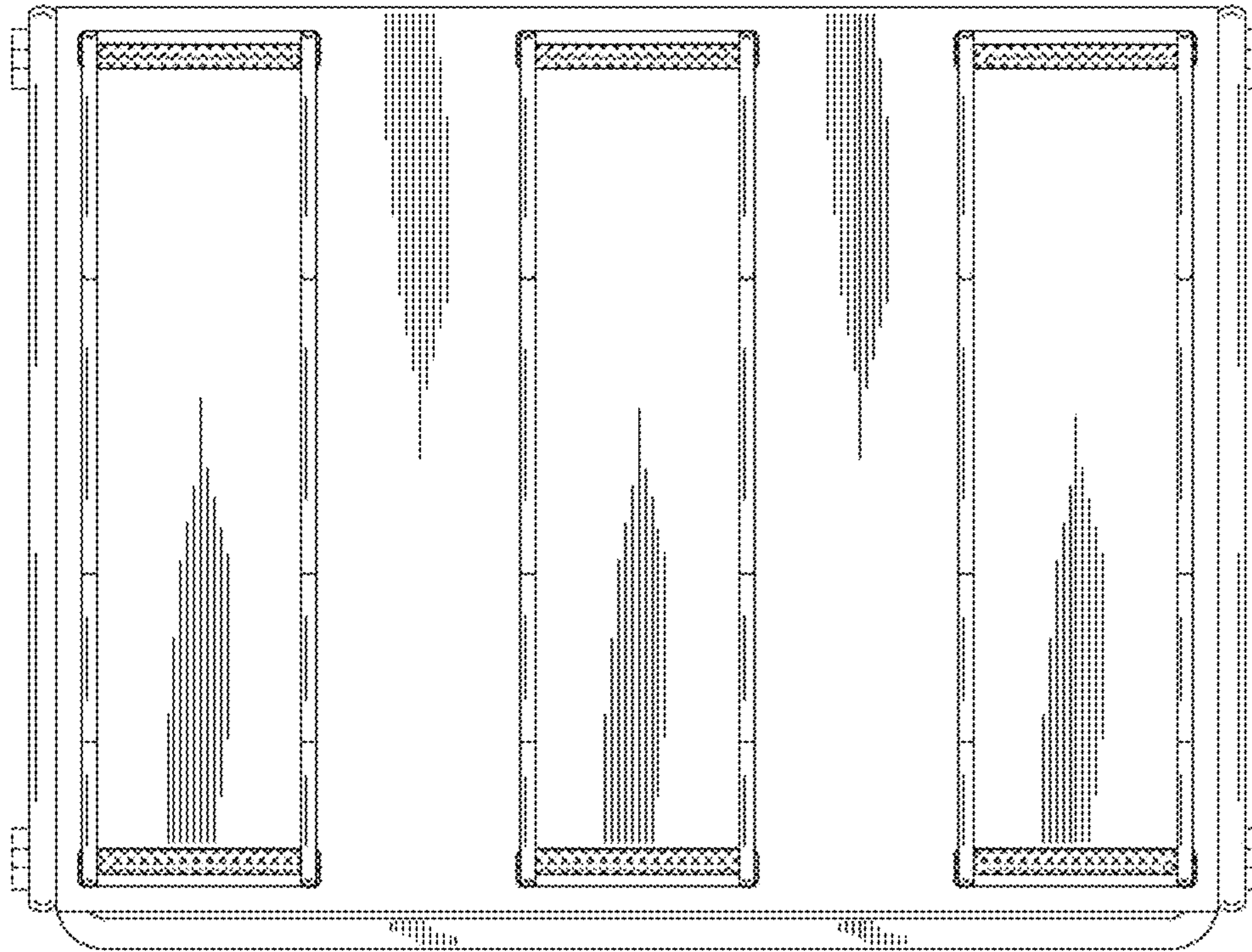


FIG. 6

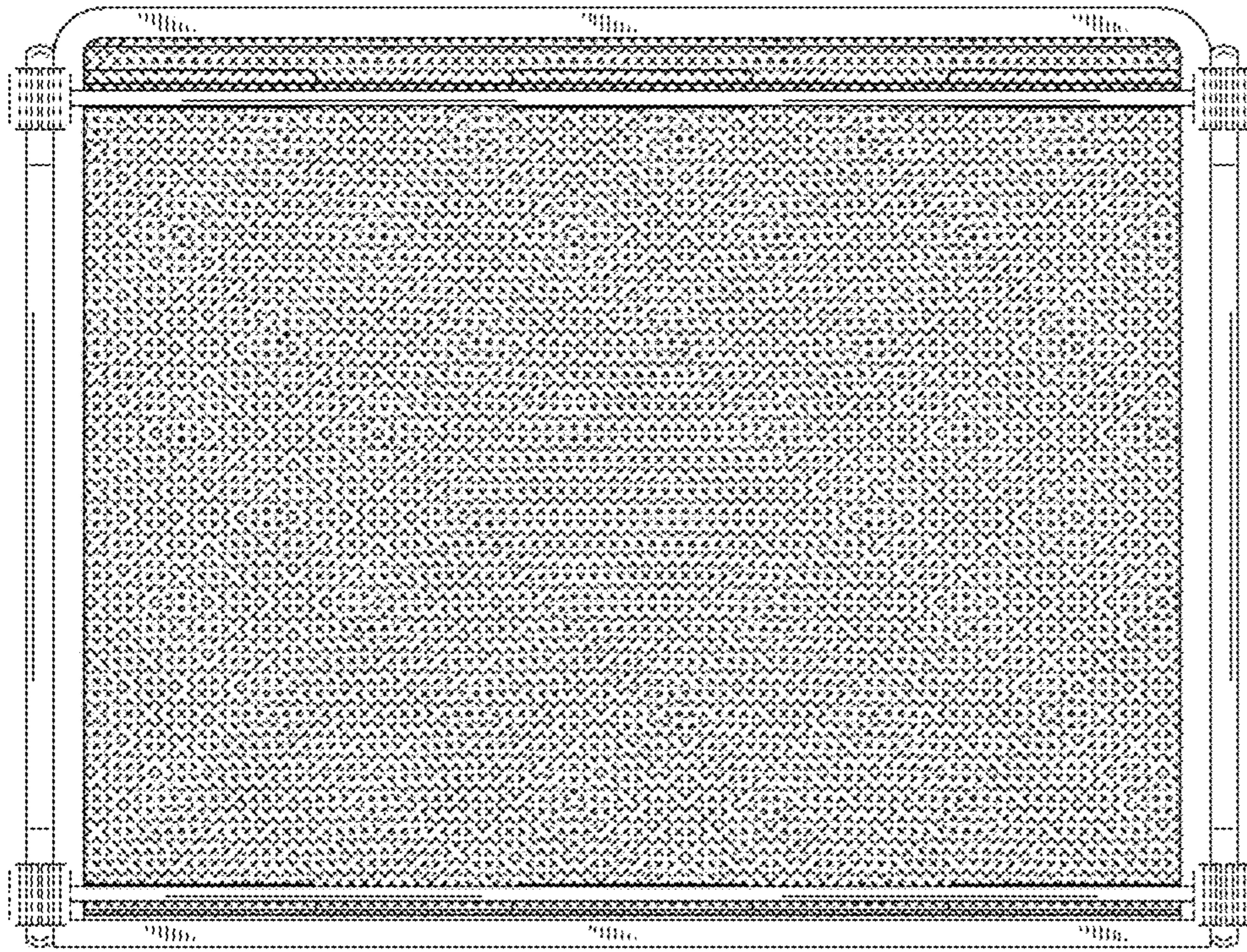


FIG. 7