



US00D857092S

(12) **United States Design Patent**
Michie et al.

(10) **Patent No.:** **US D857,092 S**

(45) **Date of Patent:** **** *Aug. 20, 2019**

(54) **LABEL PRINTER**

(71) Applicant: **Sanford, L.P.**, Downers Grove, IL (US)

(72) Inventors: **John Kenneth Michie**, Kalamazoo, MI (US); **Joshua Merritt Hansen**, Mattawan, MI (US); **Ryan Alan Heiser**, Kalamazoo, MI (US); **Jeffrey Michael Browne**, Portage, MI (US)

(73) Assignee: **Sanford, L.P.**, Atlanta, GA (US)

(*) Notice: This patent is subject to a terminal disclaimer.

(**) Term: **15 Years**

(21) Appl. No.: **29/592,097**

(22) Filed: **Jan. 26, 2017**

(51) **LOC (12) Cl.** **18-99**

(52) **U.S. Cl.**
USPC **D18/19; D18/50**

(58) **Field of Classification Search**
USPC D18/19, 50, 55, 54-54.1; D14/392, 402; 400/621
CPC B41J 3/4075; B65C 11/00; B65C 11/02; B65C 11/0205; B65C 11/0221; B65C 11/0242; B65C 11/0257; B65C 11/0294; B65C 11/04; B65C 11/046; B65C 11/062; B65C 11/068; B65C 11/066; B65C 11/064

See application file for complete search history.

(56) **References Cited**

U.S. PATENT DOCUMENTS

D386,515 S * 11/1997 Somerville D18/50
D492,959 S * 7/2004 Nakanishi D18/50
D527,043 S * 8/2006 Borne D18/19
D530,736 S * 10/2006 Beckstrom D18/50

D536,370 S * 2/2007 Smolenski D18/50
D591,748 S * 5/2009 Hu D14/402
D601,619 S * 10/2009 Hattori D14/392
D685,415 S * 7/2013 Kinoshita D18/54
D705,346 S * 5/2014 Blacken D18/4
D706,337 S * 6/2014 Blacken D18/14
D713,871 S * 9/2014 Preliasco D18/14
D730,978 S * 6/2015 Kinoshita D18/50
D745,598 S * 12/2015 Nakayama D18/19
D747,764 S * 1/2016 Isozaki D18/50
D751,636 S * 3/2016 Kinoshita D18/19
D752,137 S * 3/2016 Mita D18/19
D758,481 S * 6/2016 Medugorac D18/19
D764,573 S * 8/2016 Sugawara D18/19
D765,166 S * 8/2016 Takahashi D18/50
D777,249 S * 1/2017 Tanaka D18/19
D790,006 S * 6/2017 Yoshida D18/14

(Continued)

OTHER PUBLICATIONS

https://www.bhphotovideo.com/c/product/1375114-REG/dymo_1981698_labelwriter_wirel (Year: 2018).*

Primary Examiner — Robin V Webster
Assistant Examiner — James C Thorn, Sr.

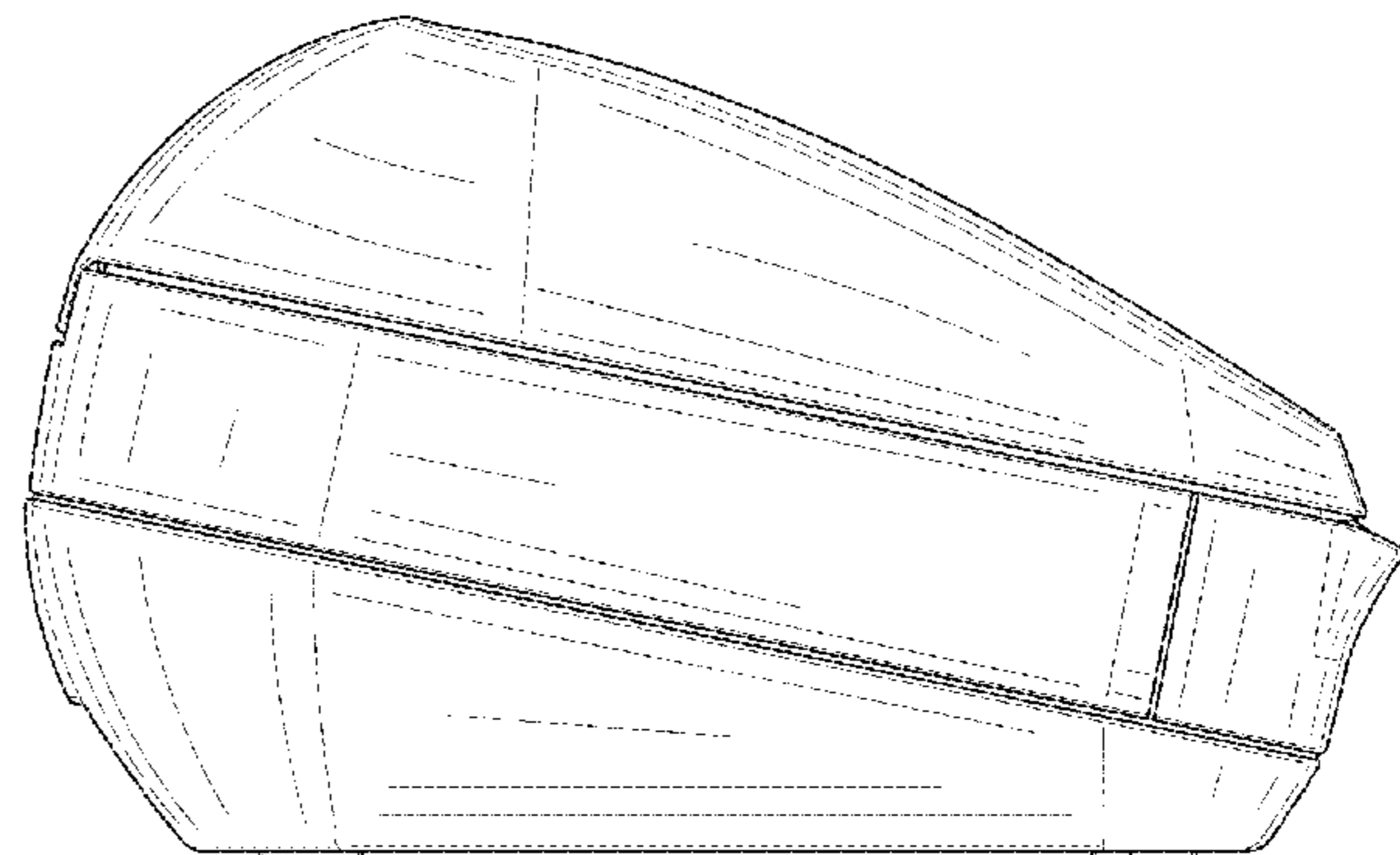
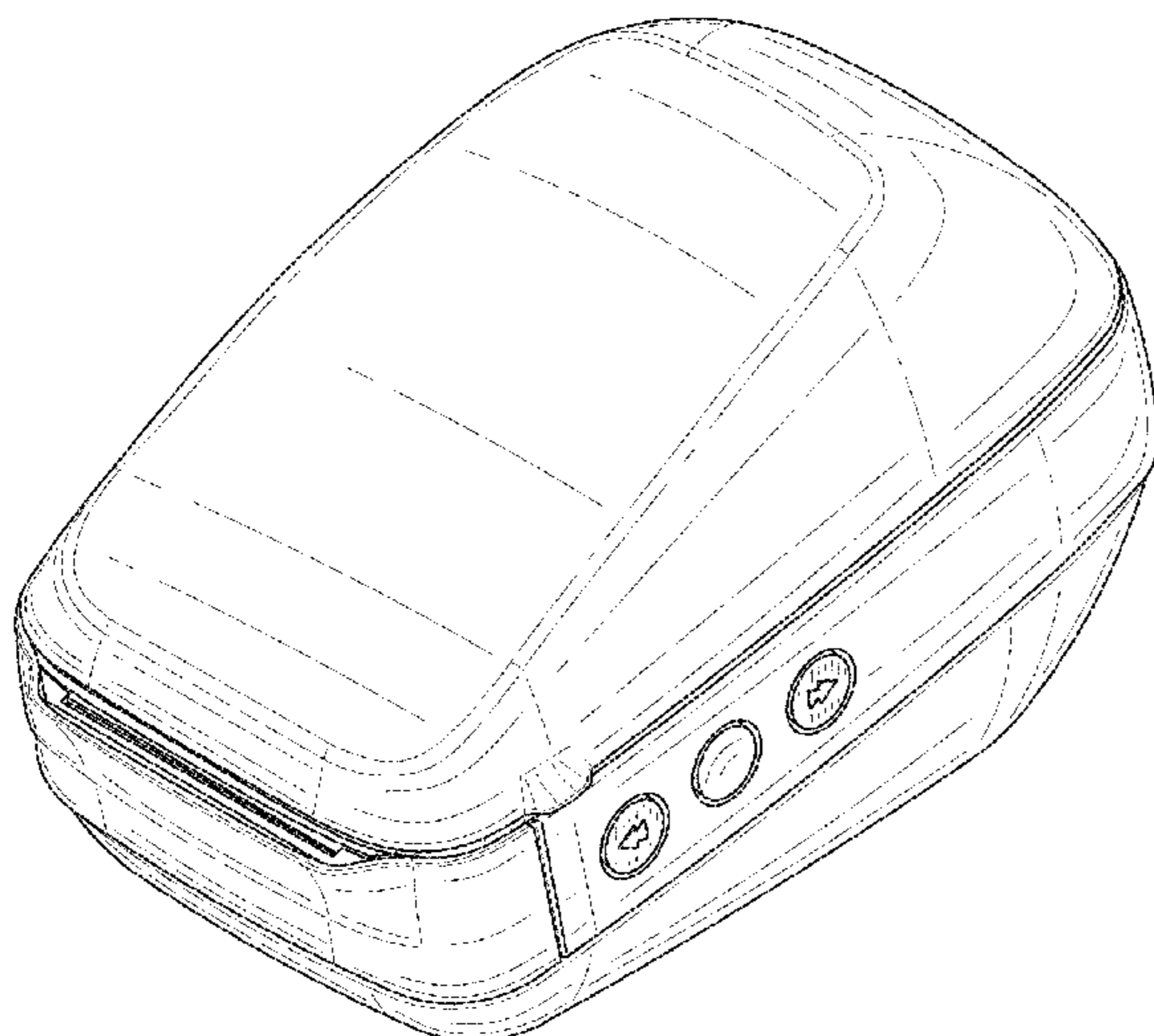
(57) **CLAIM**

The ornamental design for a “label printer,” as shown and described.

DESCRIPTION

FIG. 1 is a perspective view of a label printer, showing our new design;
FIG. 2 is a front view of the label printer shown in FIG. 1;
FIG. 3 is a back view of the label printer shown in FIG. 1;
FIG. 4 is a right view of the label printer shown in FIG. 1;
FIG. 5 is a left view of the label printer shown in FIG. 1;
FIG. 6 is a top view of the label printer shown in FIG. 1; and
FIG. 7 is a bottom view of the label printer shown in FIG. 1.

1 Claim, 5 Drawing Sheets



(56)

References Cited

U.S. PATENT DOCUMENTS

D800,830 S * 10/2017 Maeda D18/19
2004/0190971 A1 * 9/2004 Tanaka 400/615.2
2010/0086340 A1 * 4/2010 Takami B26D 7/088
400/621
2017/0282613 A1 * 10/2017 Tsuchimoto B41J 3/36
2018/0065389 A1 * 3/2018 Kubota B41J 29/13

* cited by examiner

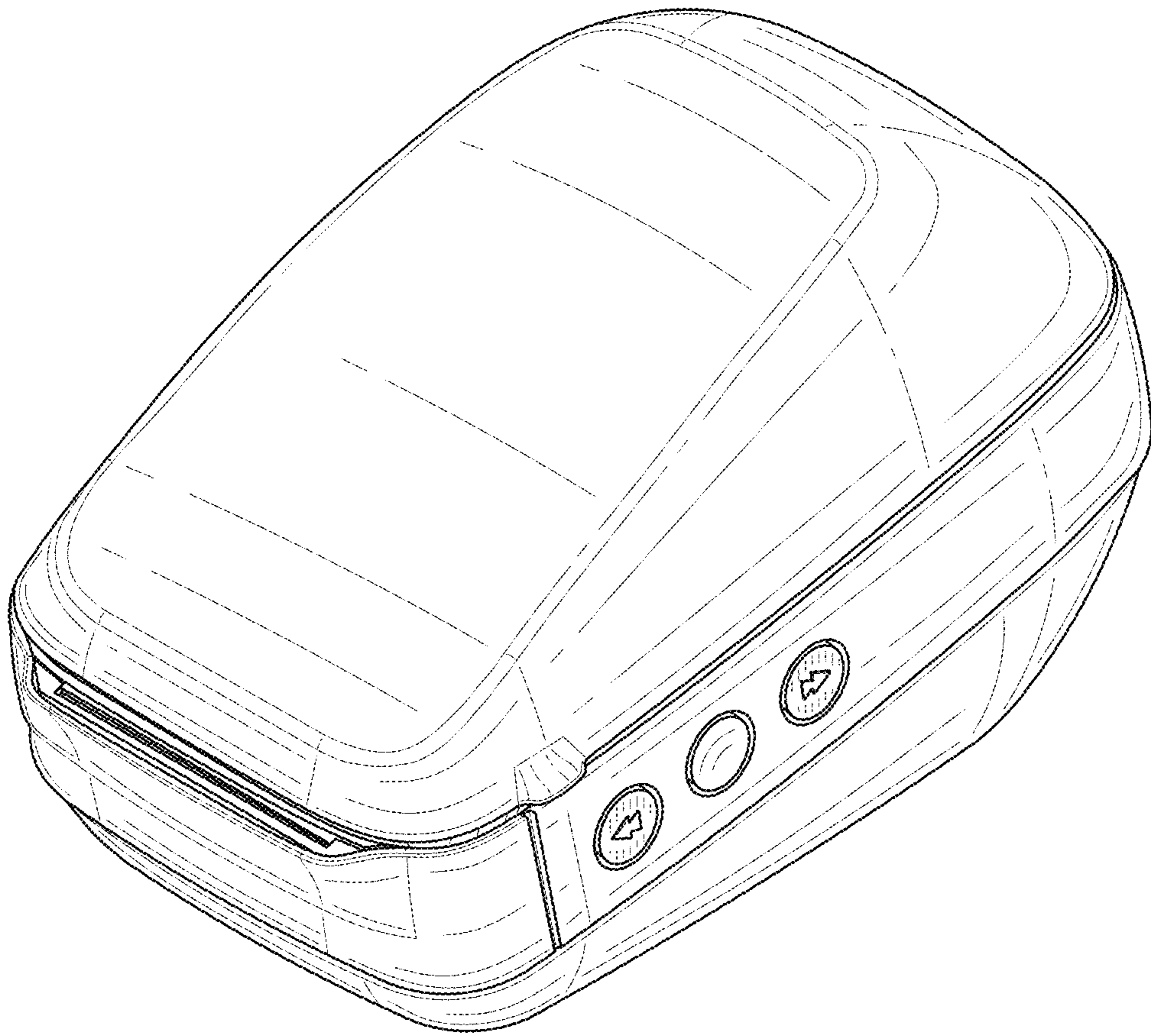


FIG. 1

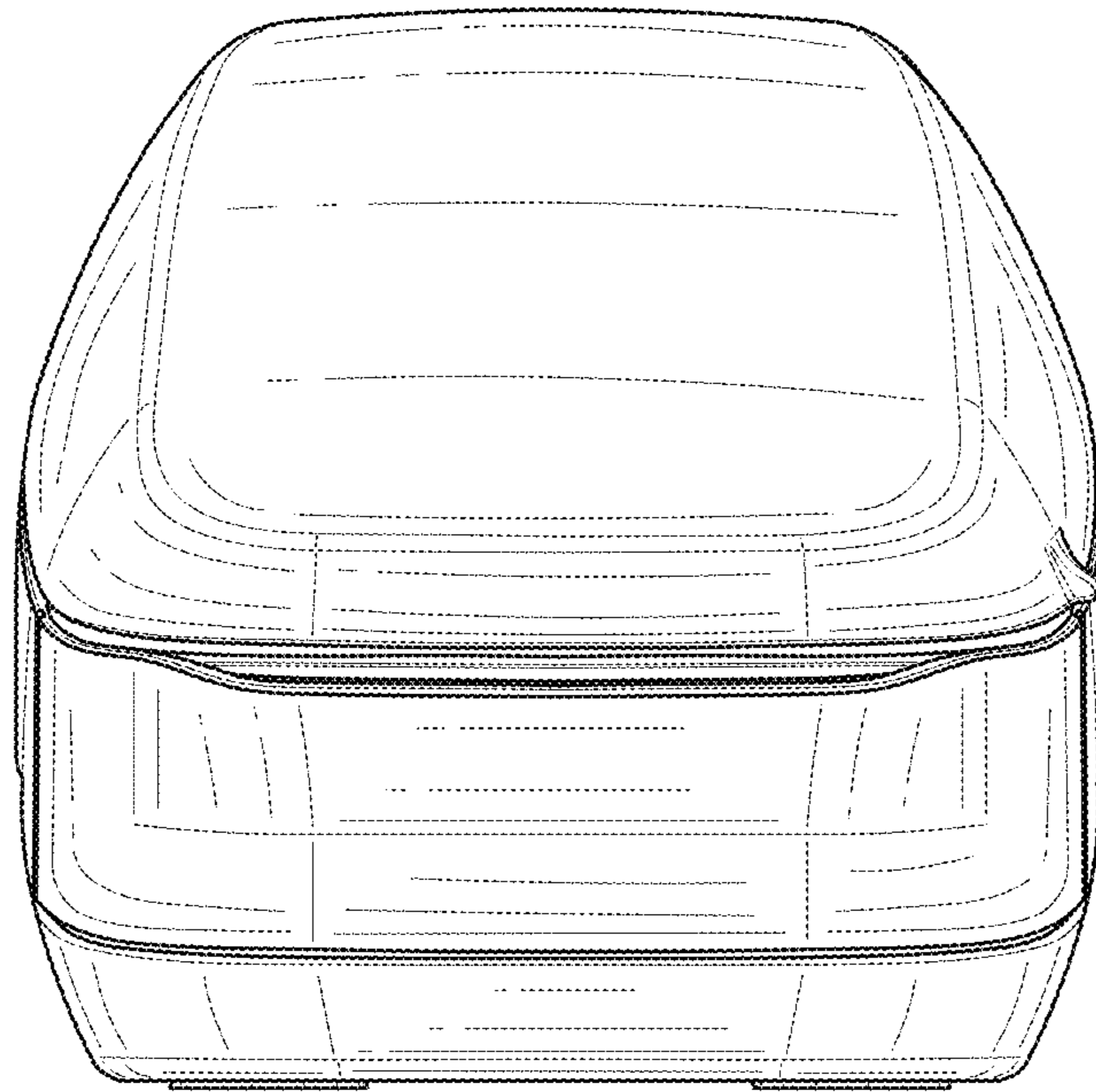


FIG. 2

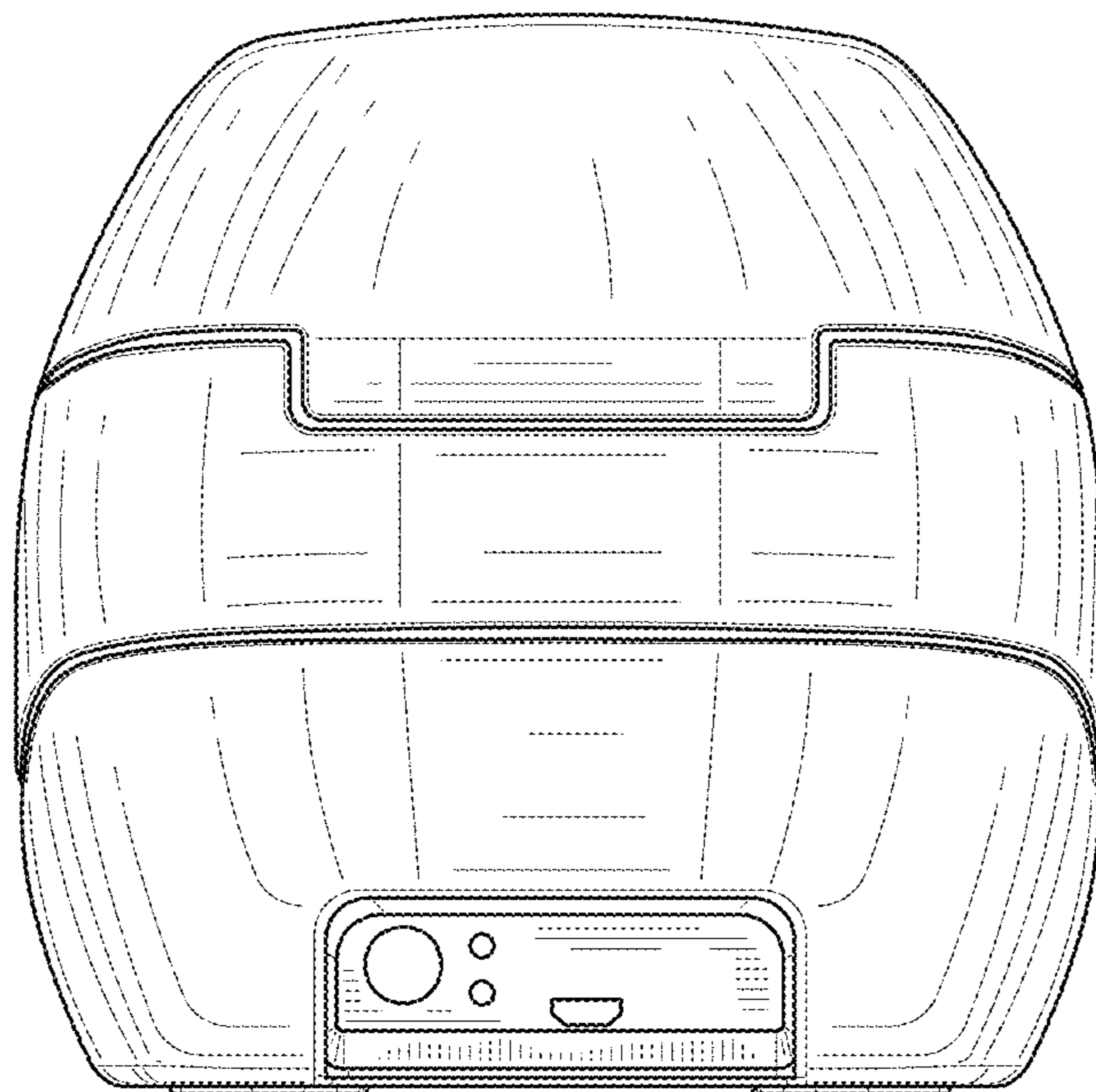


FIG. 3

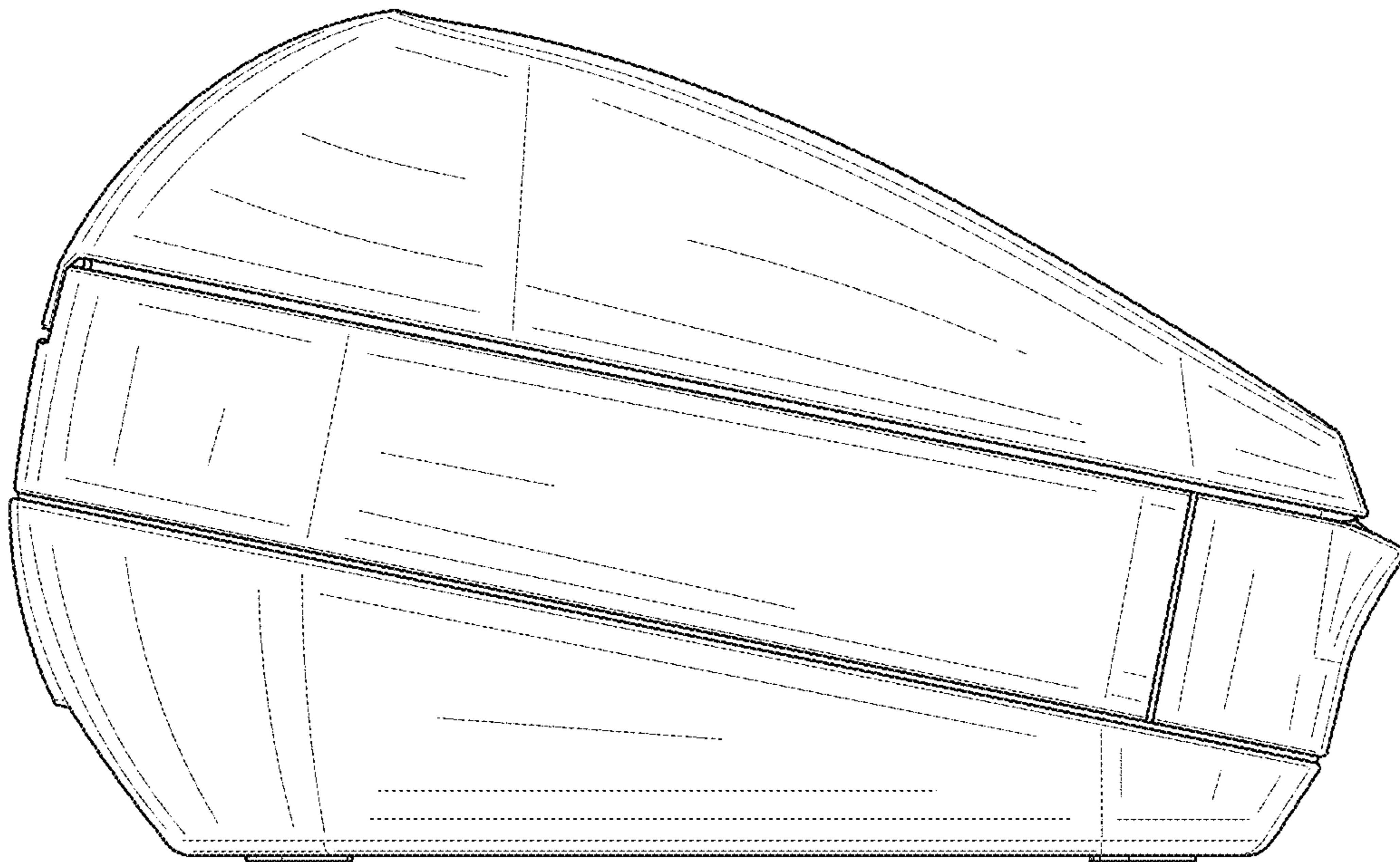


FIG. 4

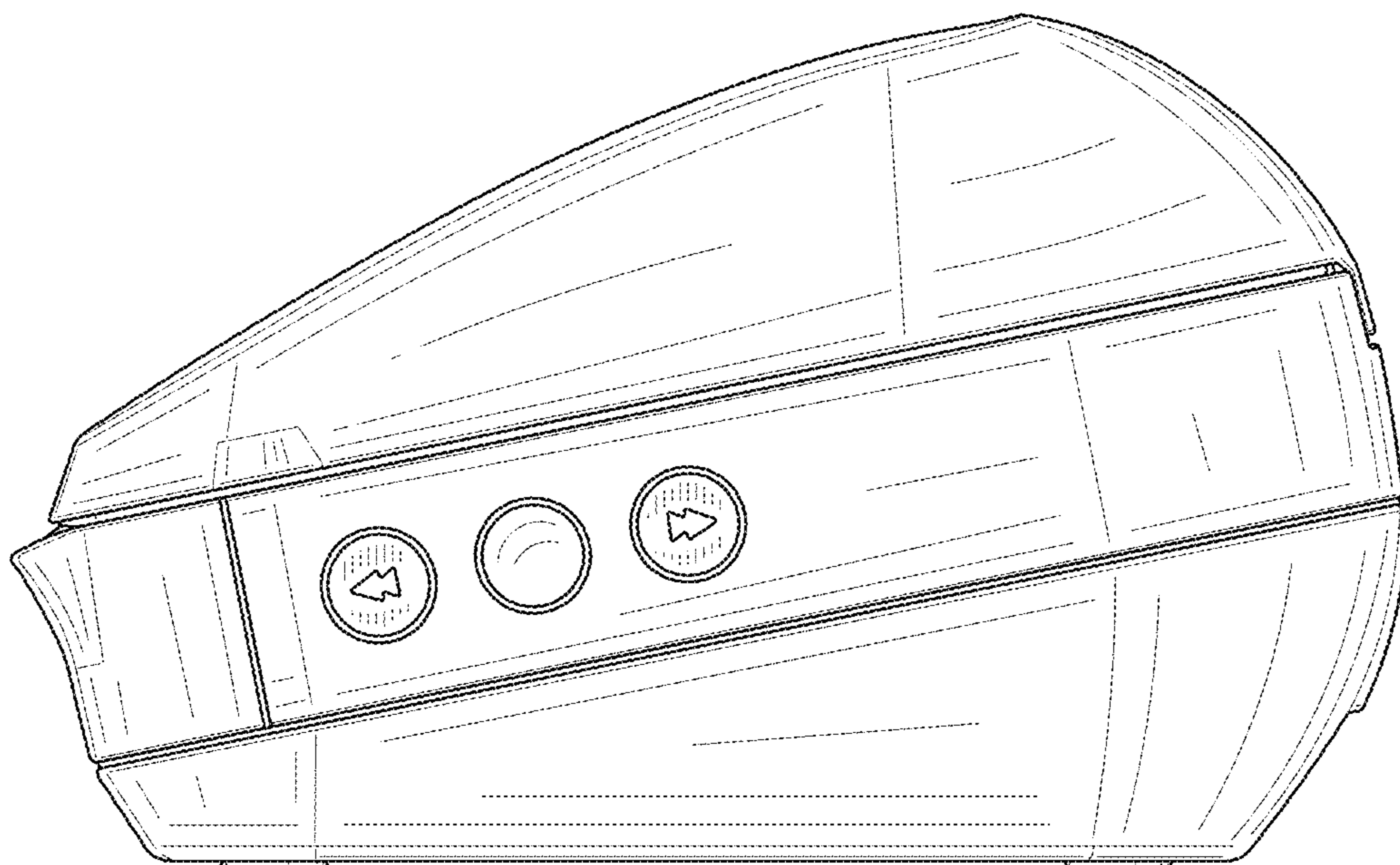


FIG. 5

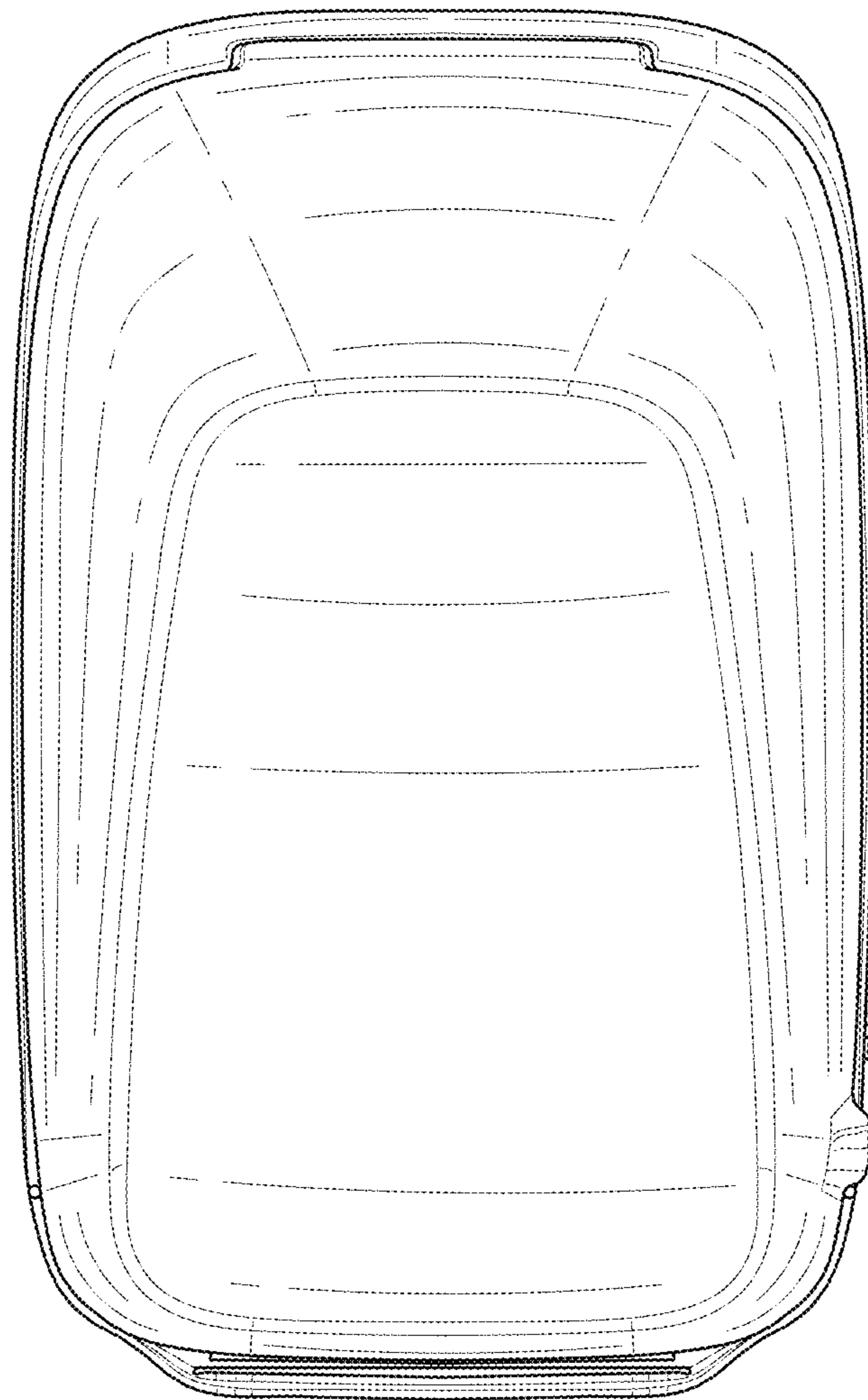


FIG. 6

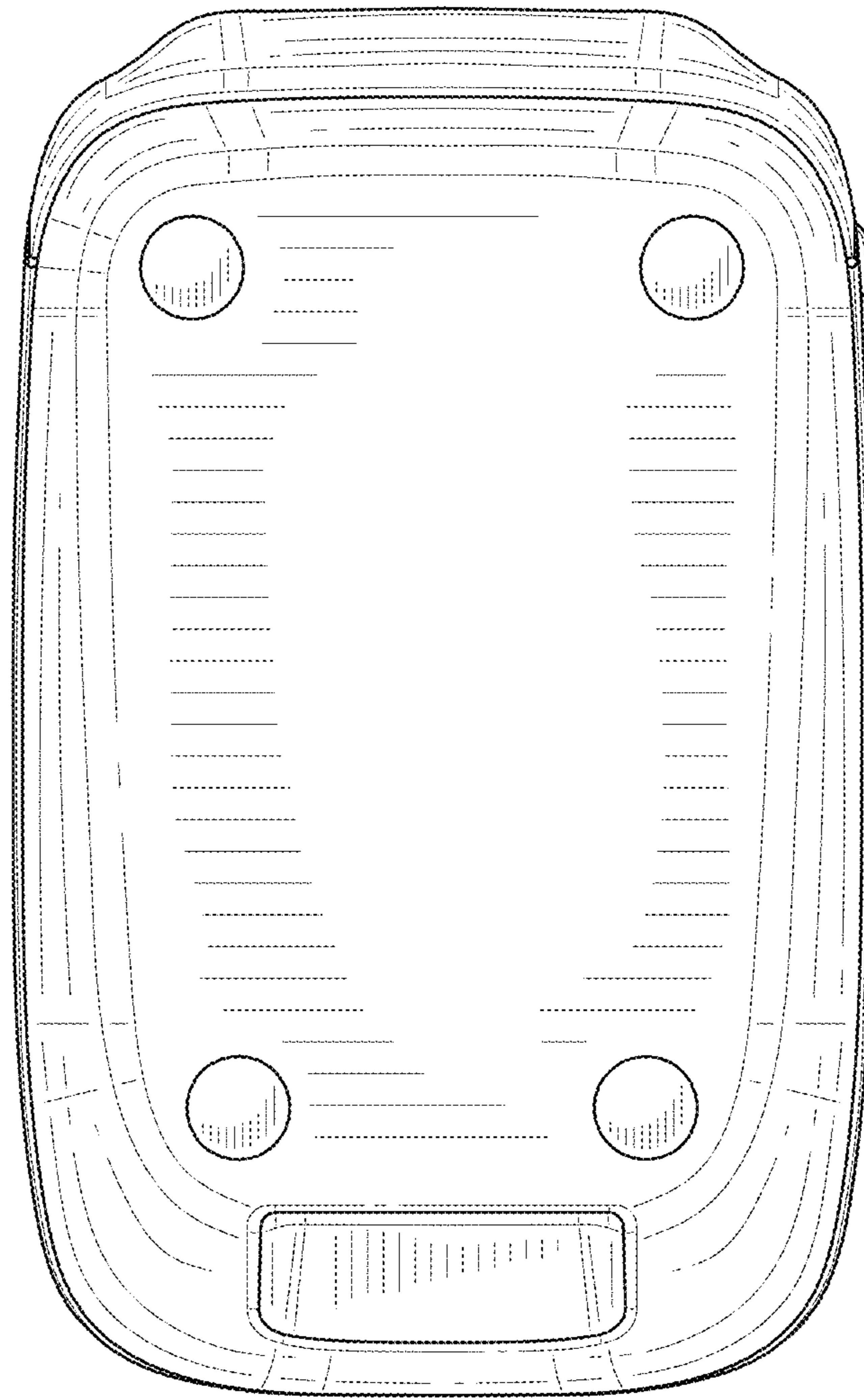


FIG. 7