



US00D857082S

(12) **United States Design Patent**
Gu

(10) **Patent No.:** **US D857,082 S**

(45) **Date of Patent:** **** Aug. 20, 2019**

(54) **OPTICAL ACCESSORY MOUNT**

(71) Applicant: **Yuyao Qihang Optics Instrument Co., Ltd., Zhejiang (CN)**

(72) Inventor: **Linsong Gu, Zhejiang (CN)**

(**) Term: **15 Years**

(21) Appl. No.: **29/585,345**

(22) Filed: **Nov. 22, 2016**

(51) **LOC (12) Cl.** **16-05**

(52) **U.S. Cl.**
USPC **D16/242; D16/136**

(58) **Field of Classification Search**
USPC D8/29, 40-41; D16/130-136, 219,
D16/237-250; D22/108, 110
See application file for complete search history.

(56) **References Cited**

U.S. PATENT DOCUMENTS

D156,709 S *	1/1950	Drazick	81/3.42
3,074,592 A *	1/1963	Stocking	B67B 7/24 220/278
D271,618 S *	11/1983	Nishigaki	D16/134
D273,871 S *	5/1984	Shigoku	D16/136
D433,607 S *	11/2000	Park	D8/34
D562,095 S *	2/2008	Ivey	D8/40
D594,303 S *	6/2009	Mah	D8/41
D634,597 S *	3/2011	Mah	D8/41
D649,849 S *	12/2011	Bates	D8/40
D649,993 S *	12/2011	Ding	D16/134

D692,286 S *	10/2013	Hager	D8/14
D708,652 S *	7/2014	Hyers	D16/136
D708,653 S *	7/2014	Hyers	D16/136
D723,600 S *	3/2015	Nauli	D16/131
D745,591 S *	12/2015	Oh	D16/136
D745,917 S *	12/2015	Oh	D16/136

OTHER PUBLICATIONS

Universal Cell Phone Photography Adapter Mount: Published Mar. 10, 2018 [online], site visited Dec. 17, 2018. Available from Internet URL: https://www.amazon.com/Universal-Photography-Binoculars-Monocular-Telescop.*

* cited by examiner

Primary Examiner — Garth Rademaker
Assistant Examiner — Melvin L Davis

(74) *Attorney, Agent, or Firm* — Prakash Nama; Global IP Services, PLLC

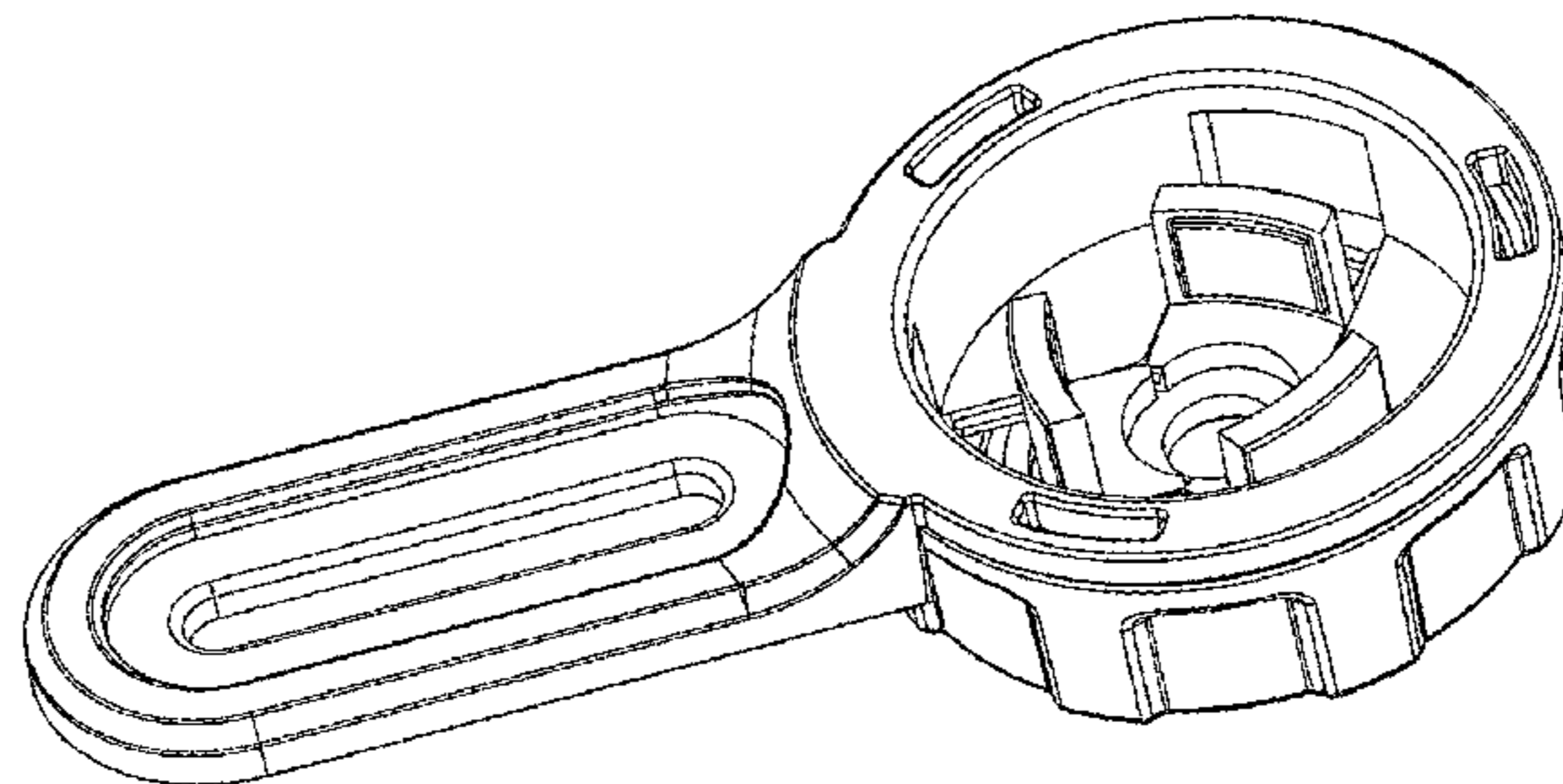
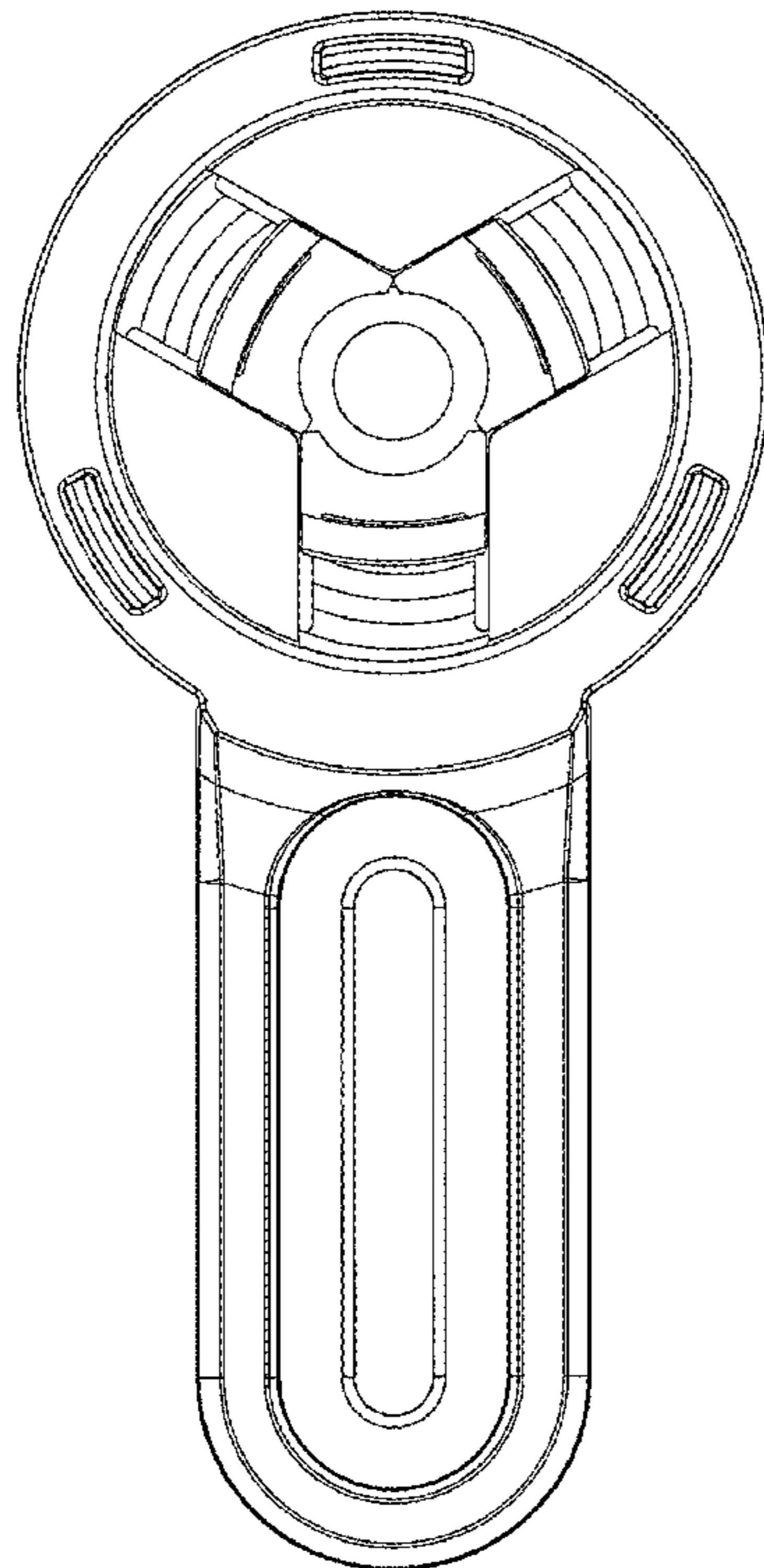
(57) **CLAIM**

The ornamental design for an optical accessory mount, as shown.

DESCRIPTION

FIG. 1 is a front elevational view of an optical accessory mount showing my new design;
FIG. 2 is a rear elevational view thereof;
FIG. 3 is a right side view thereof;
FIG. 4 is a left side view thereof;
FIG. 5 is a top plan view thereof;
FIG. 6 is a bottom plan view thereof; and,
FIG. 7 is a perspective view thereof.

1 Claim, 7 Drawing Sheets



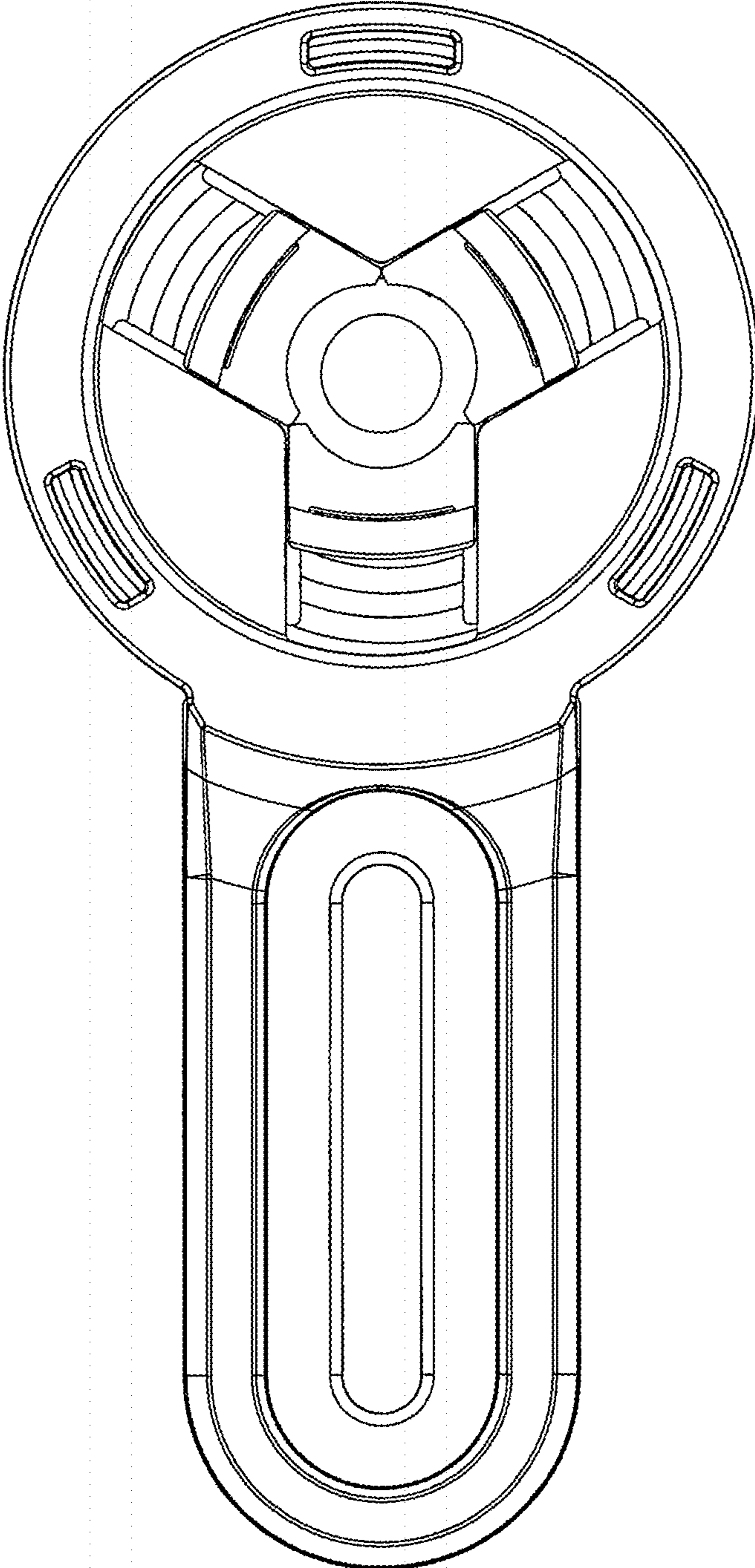


Fig. 1

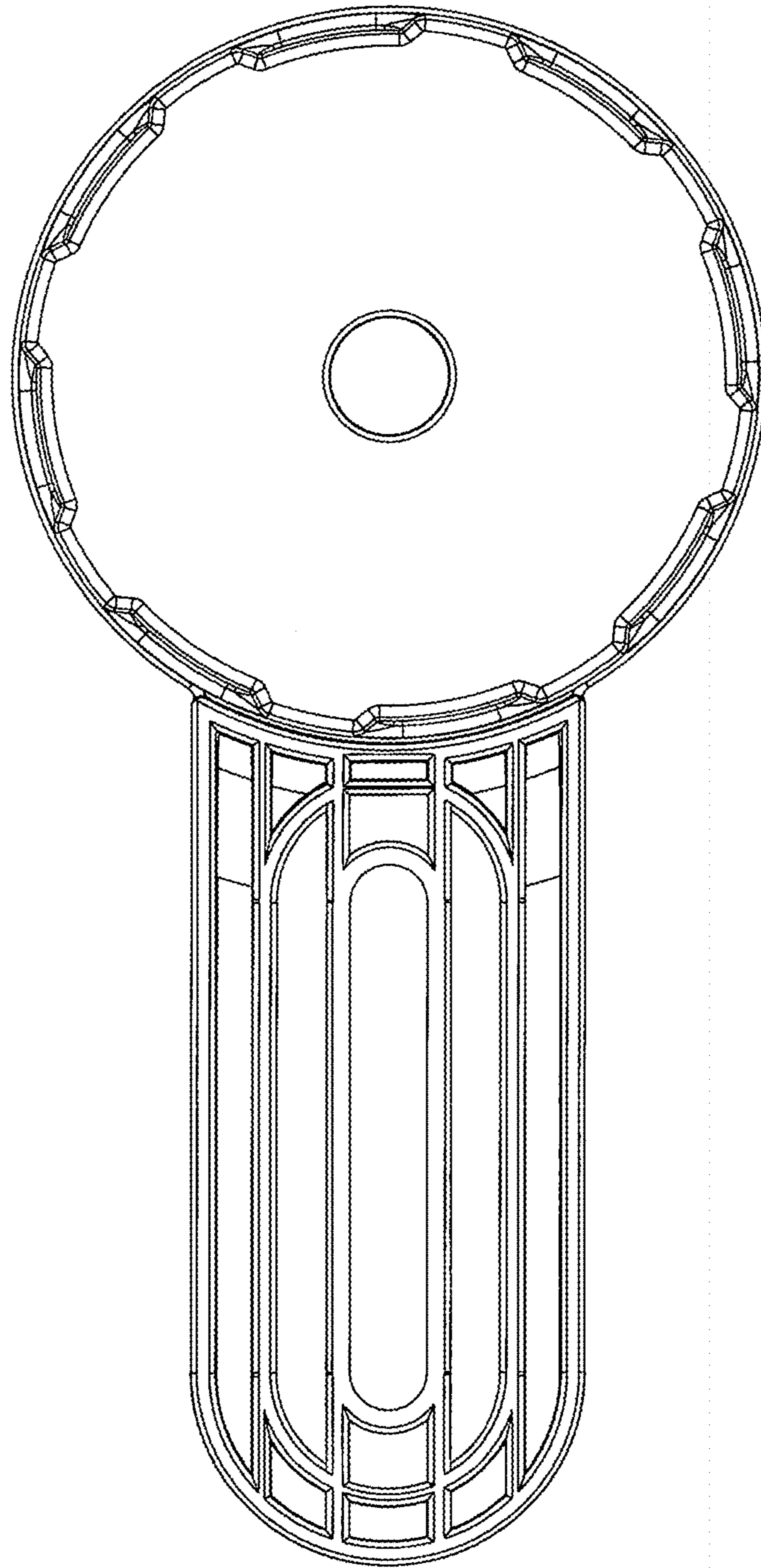


Fig. 2

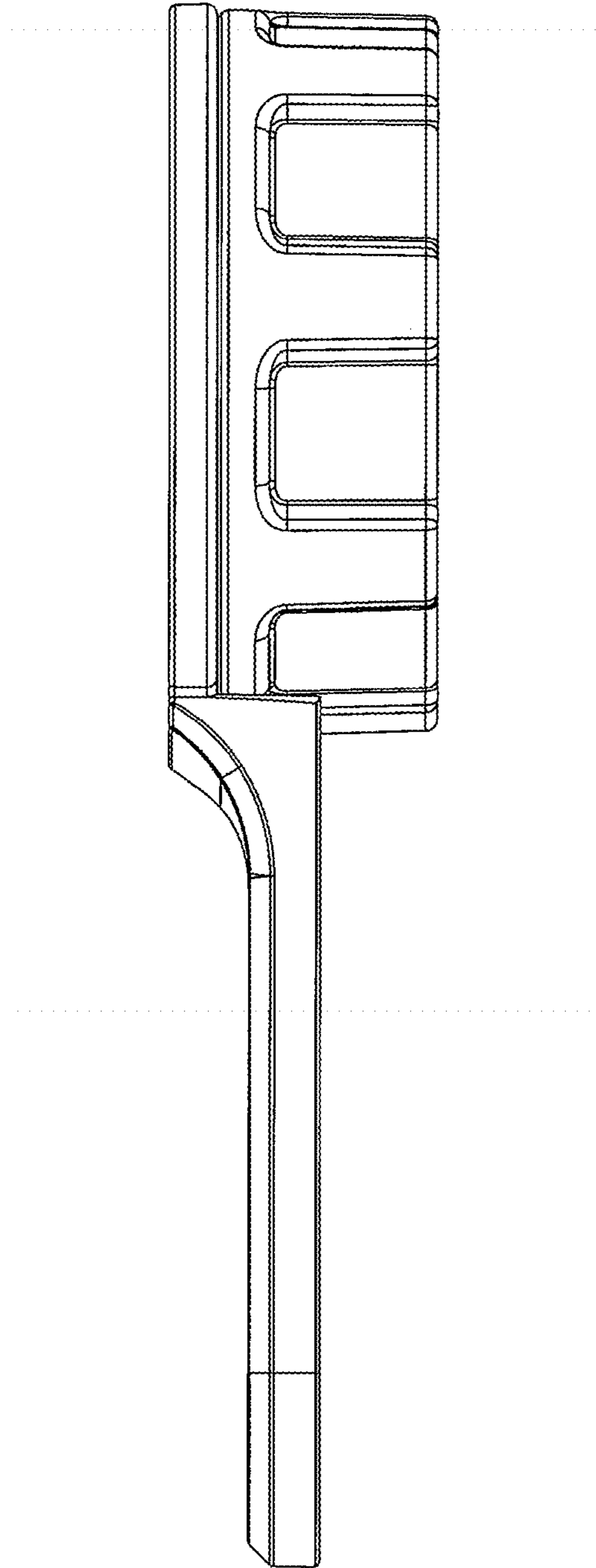


Fig. 3

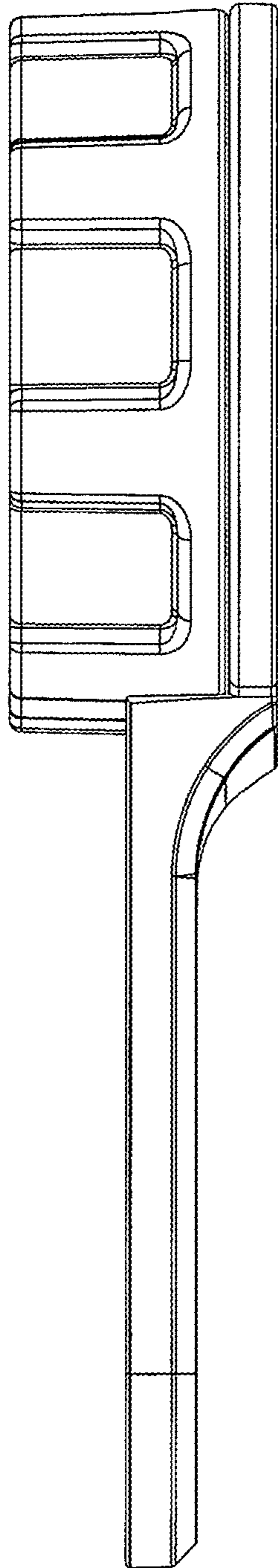


Fig. 4

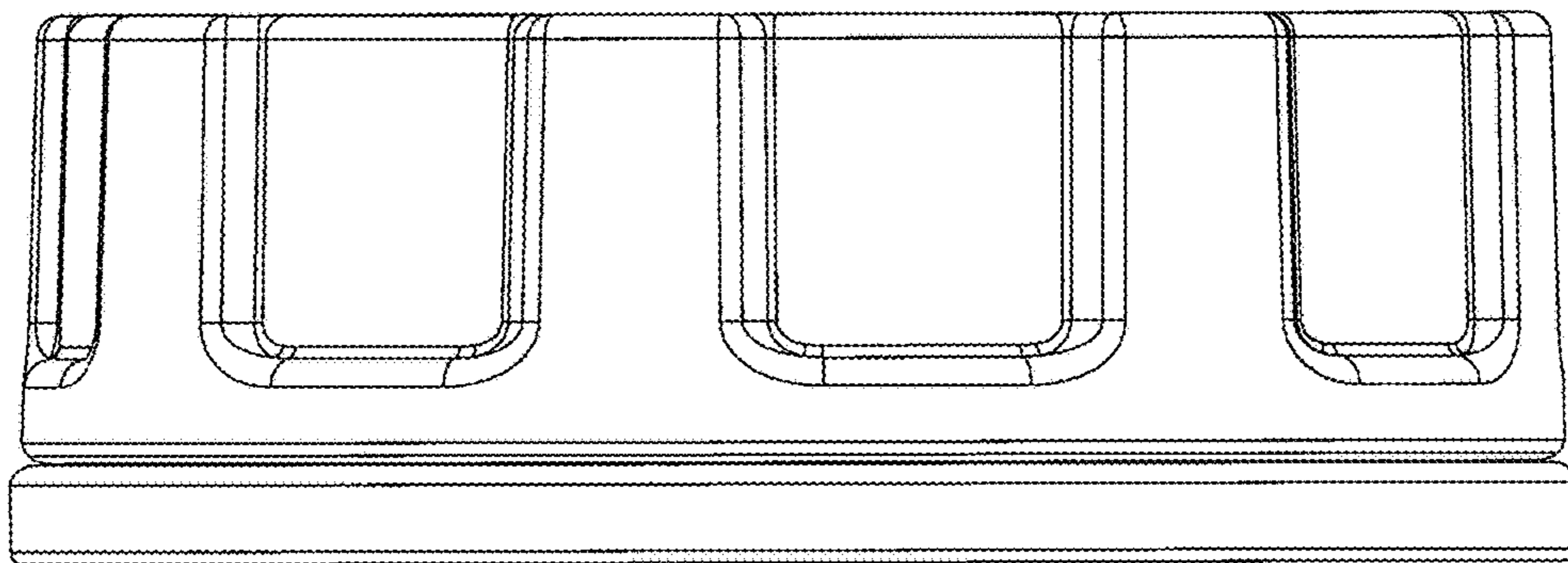


Fig. 5

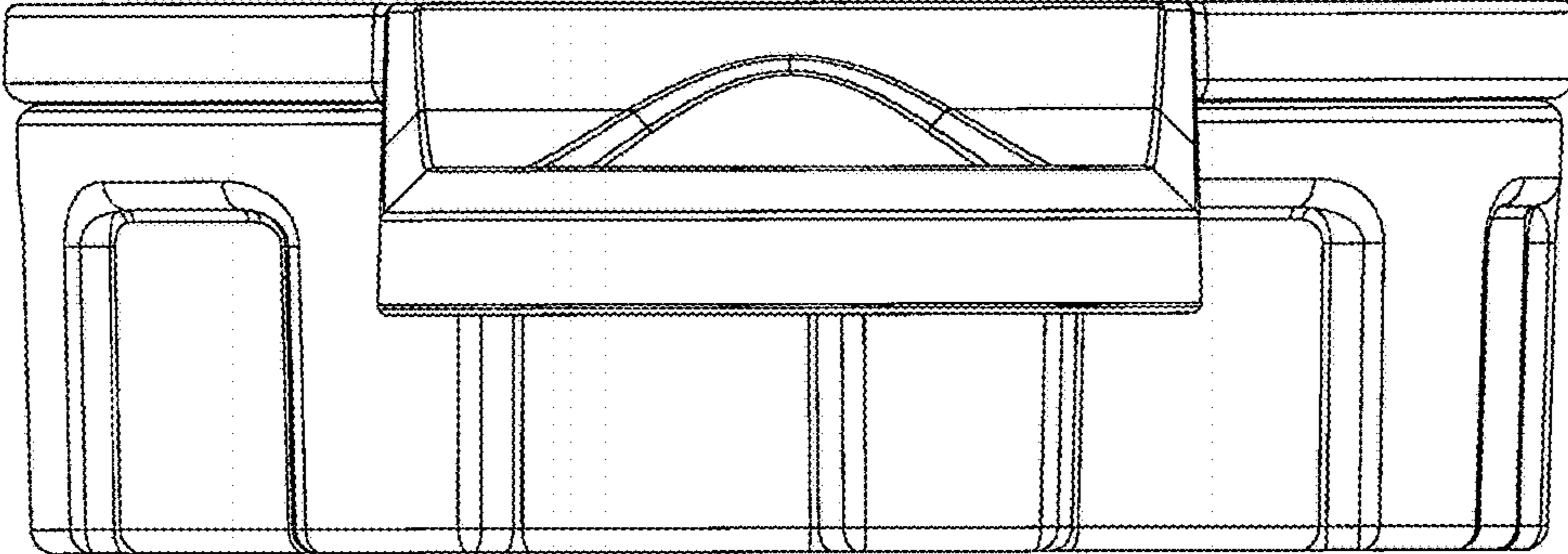


Fig. 6

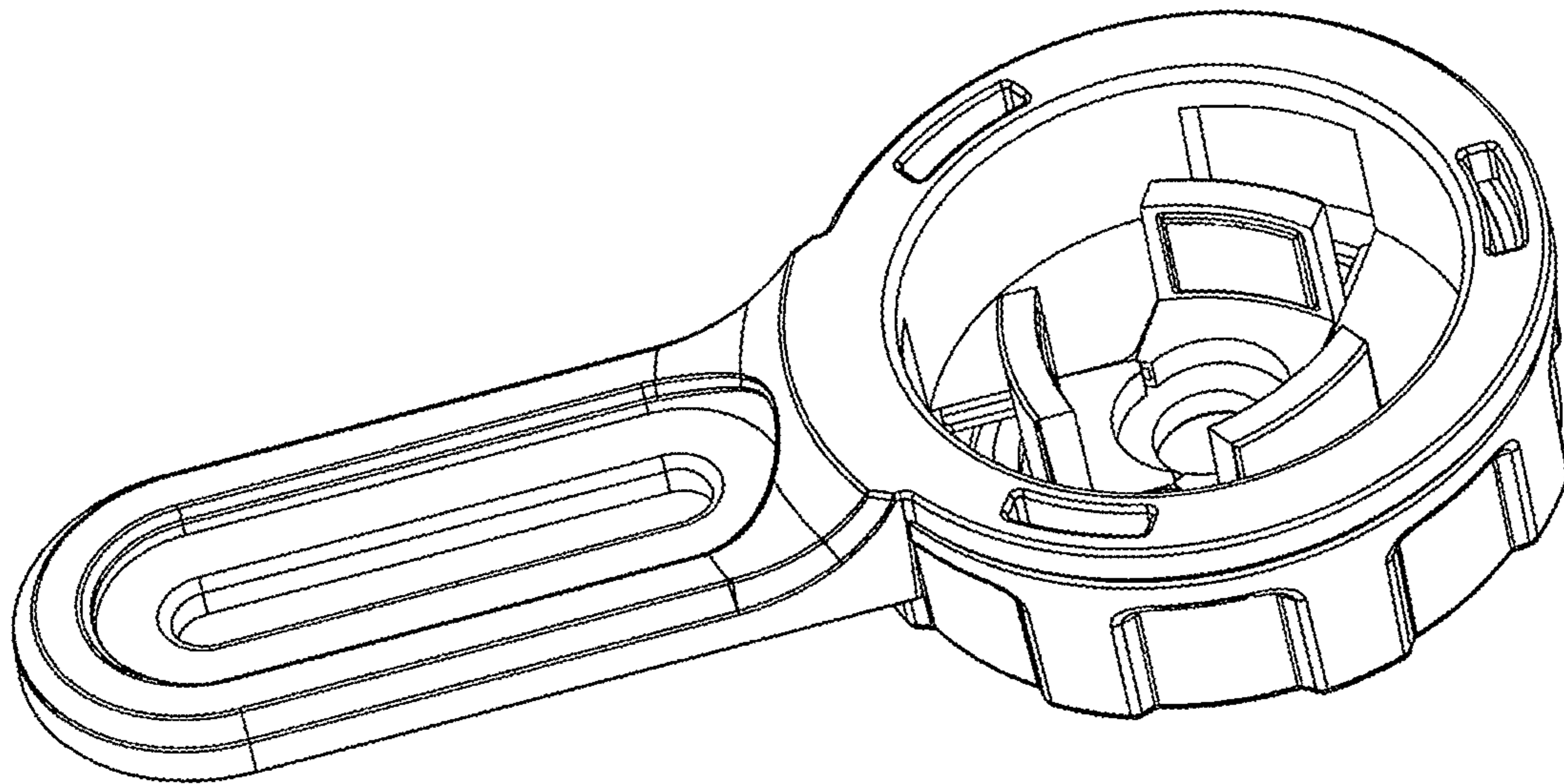


Fig. 7