



US00D857076S

(12) **United States Design Patent**
Gan

(10) **Patent No.:** **US D857,076 S**

(45) **Date of Patent:** **** Aug. 20, 2019**

- (54) **ACTION CAMERA**
- (71) Applicant: **SHENZHEN VALUELINK E-COMMERCE CO., LTD.**, Shenzhen (CN)
- (72) Inventor: **Qingcao Gan**, Shenzhen (CN)
- (73) Assignee: **Shenzhen TAT Electronics Co., Ltd.**, Shenzhen (CN)

7,768,727 B2 *	8/2010	Iida	G02B 7/102 359/819
7,801,439 B2 *	9/2010	Nagata	G03B 17/12 396/301
D721,395 S *	1/2015	Woodman	D16/218
D737,879 S *	9/2015	Woodman	D16/218
D772,966 S *	11/2016	Song	D16/200
D777,232 S *	1/2017	Lillquist	D16/202
D789,435 S *	6/2017	Nguyen	D16/202
D790,002 S *	6/2017	Nguyen	D16/218
D793,463 S *	8/2017	Houin	D16/202
D800,202 S *	10/2017	Hu	D16/218

(**) Term: **15 Years**

* cited by examiner

(21) Appl. No.: **29/614,998**

Primary Examiner — Ramzi S Almatrahi

(22) Filed: **Aug. 24, 2017**

(74) *Attorney, Agent, or Firm* — Wayne & Ken, LLC;
Tony Hom

(51) **LOC (12) Cl.** **16-01**

(52) **U.S. Cl.**
USPC **D16/202**

(57) **CLAIM**

The ornamental design for an action camera, as shown and described.

(58) **Field of Classification Search**
USPC D16/200, 202–207, 208–210, 212, 218,
D16/219; 348/373–376; 396/448, 535,
396/539–541

DESCRIPTION

CPC G03B 15/03; G03B 17/02; G03B 17/04;
G03B 17/56; G03B 19/04; H04N 5/2251;
H04N 5/2252; H04N 5/2253; H04N
5/2254; H04N 2101/00
See application file for complete search history.

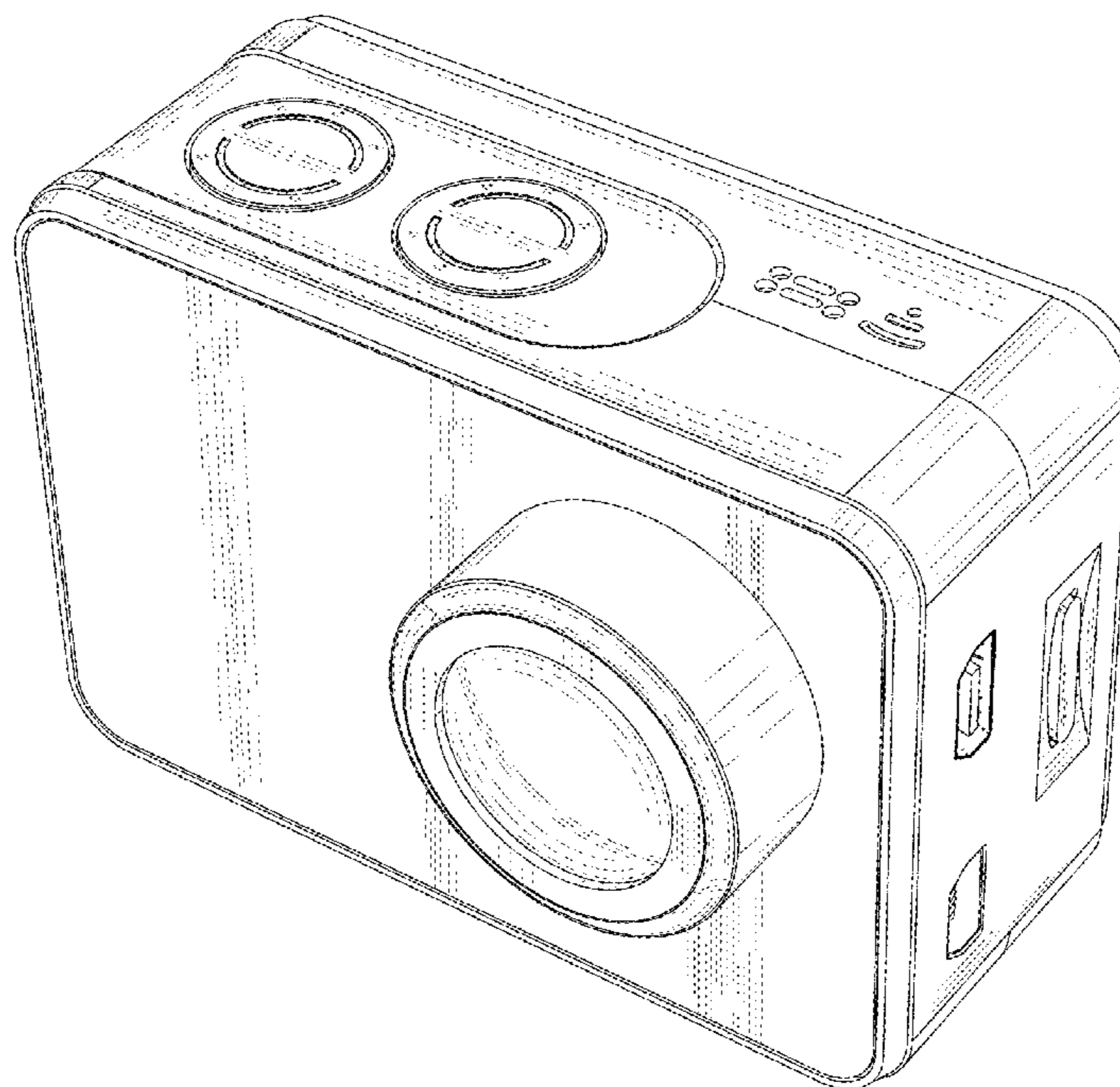
FIG. 1 is a perspective view of an action camera showing my new design;
FIG. 2 is a front elevation view thereof;
FIG. 3 is a back elevation view thereof;
FIG. 4 is a left side view thereof;
FIG. 5 is a right side view thereof;
FIG. 6 is a top plan view thereof; and,
FIG. 7 is a bottom plan view thereof.
The broken lines depict portions of the action camera in which the design is embodied that form no part of the claimed design.

(56) **References Cited**

U.S. PATENT DOCUMENTS

6,788,887 B2 *	9/2004	Takeshita	G03B 17/06 396/286
D533,574 S *	12/2006	Hamamura	D16/202
D548,256 S *	8/2007	Hase	D16/202

1 Claim, 7 Drawing Sheets



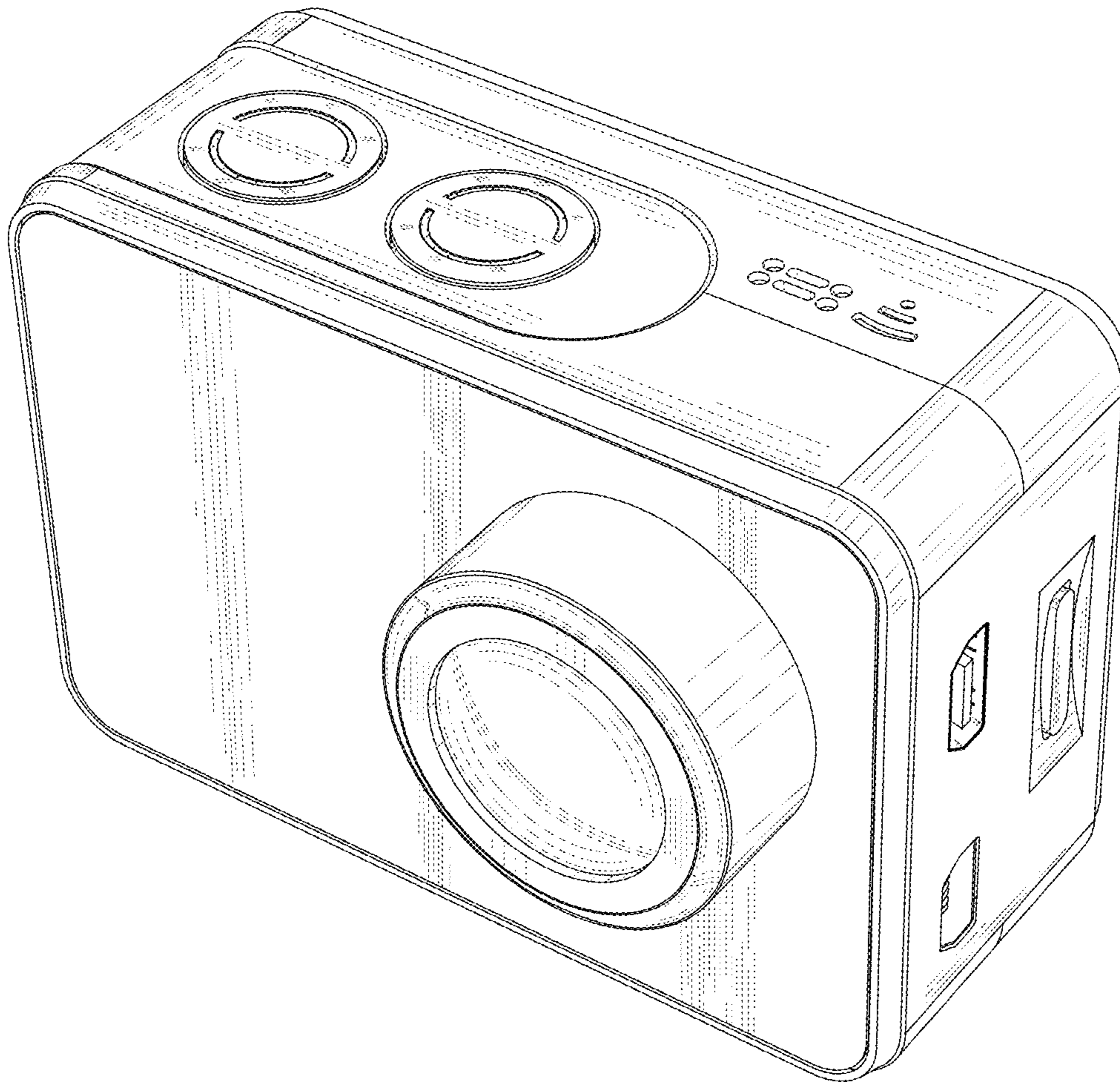


Fig .1

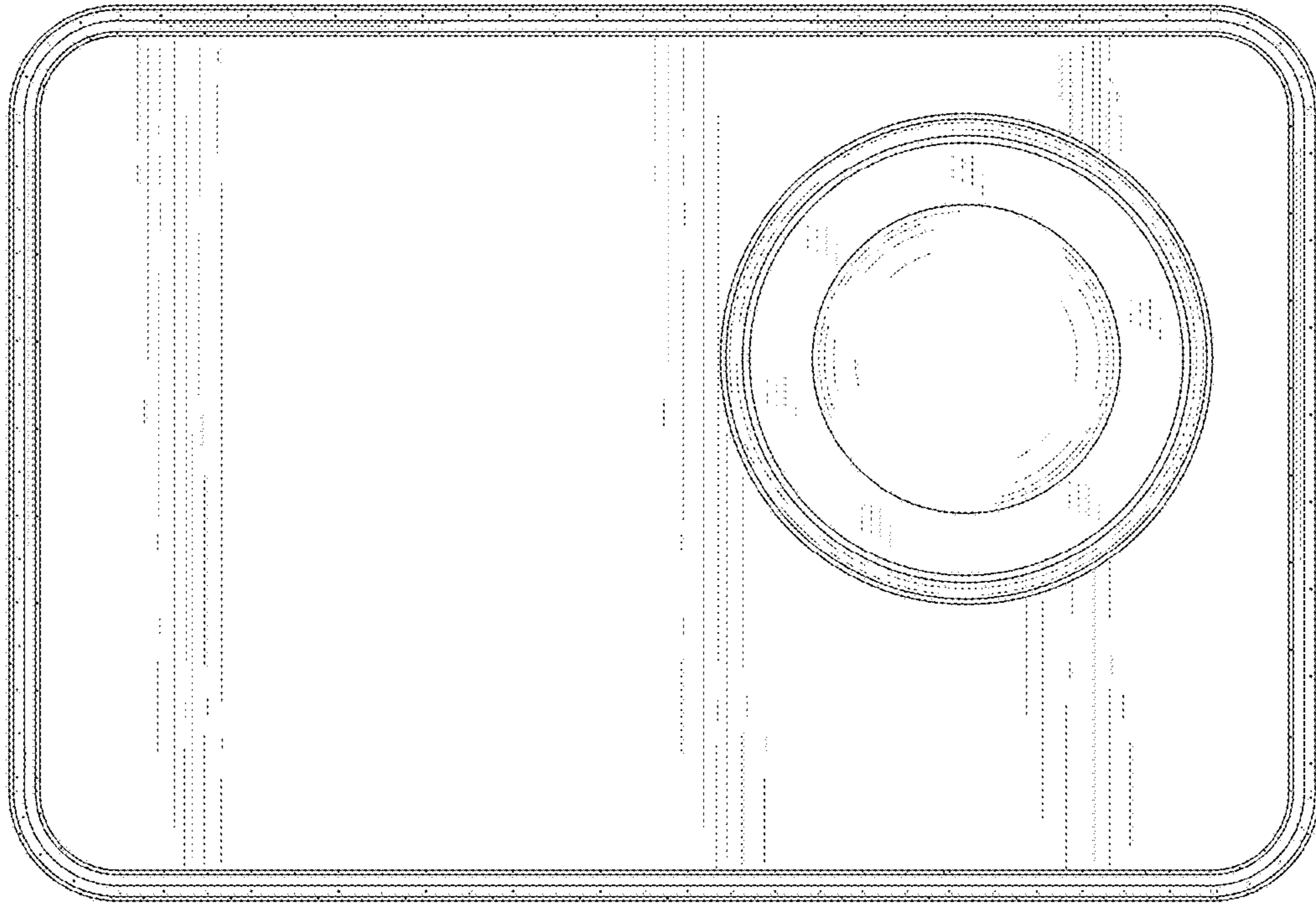


Fig .2

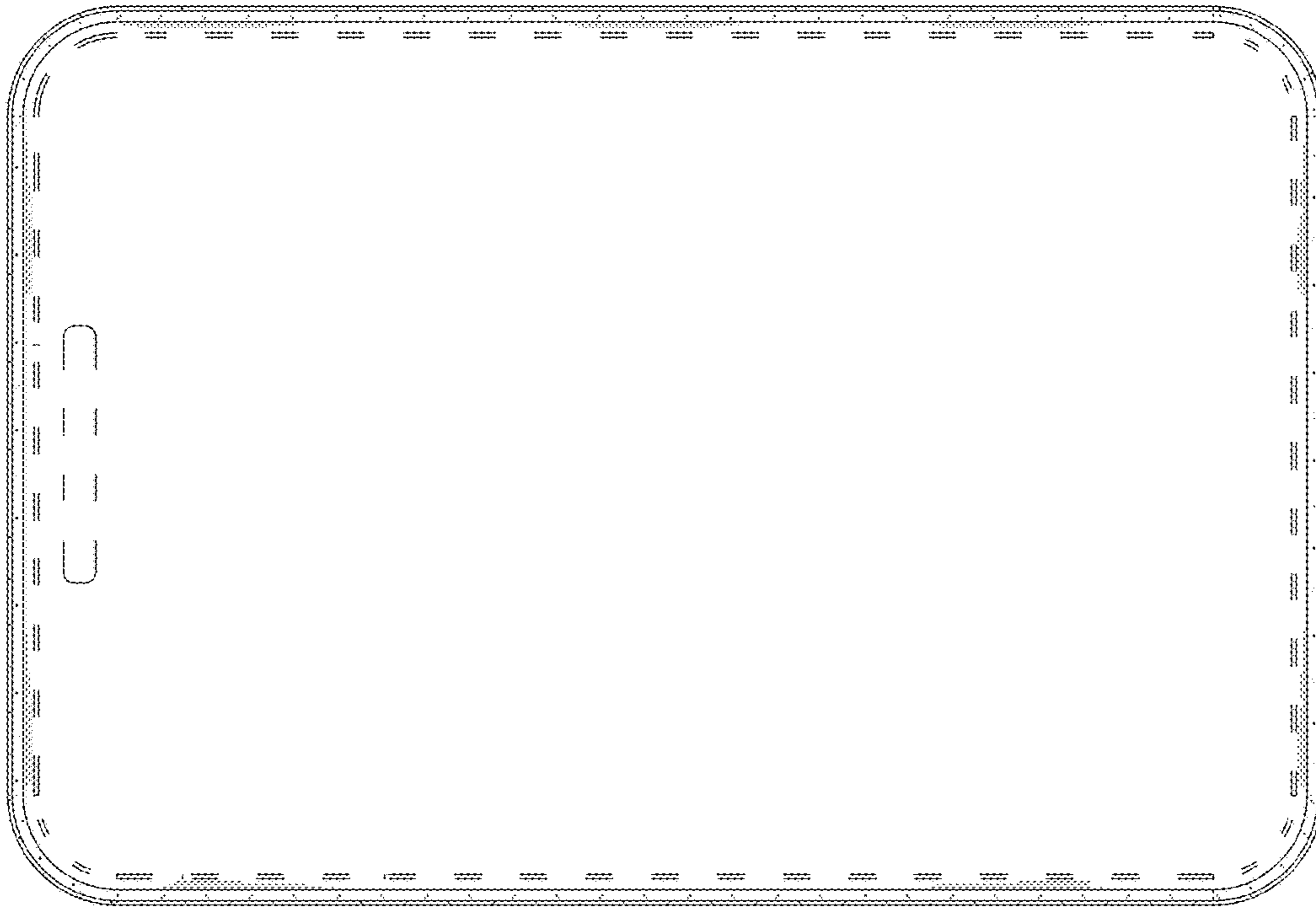


Fig .3

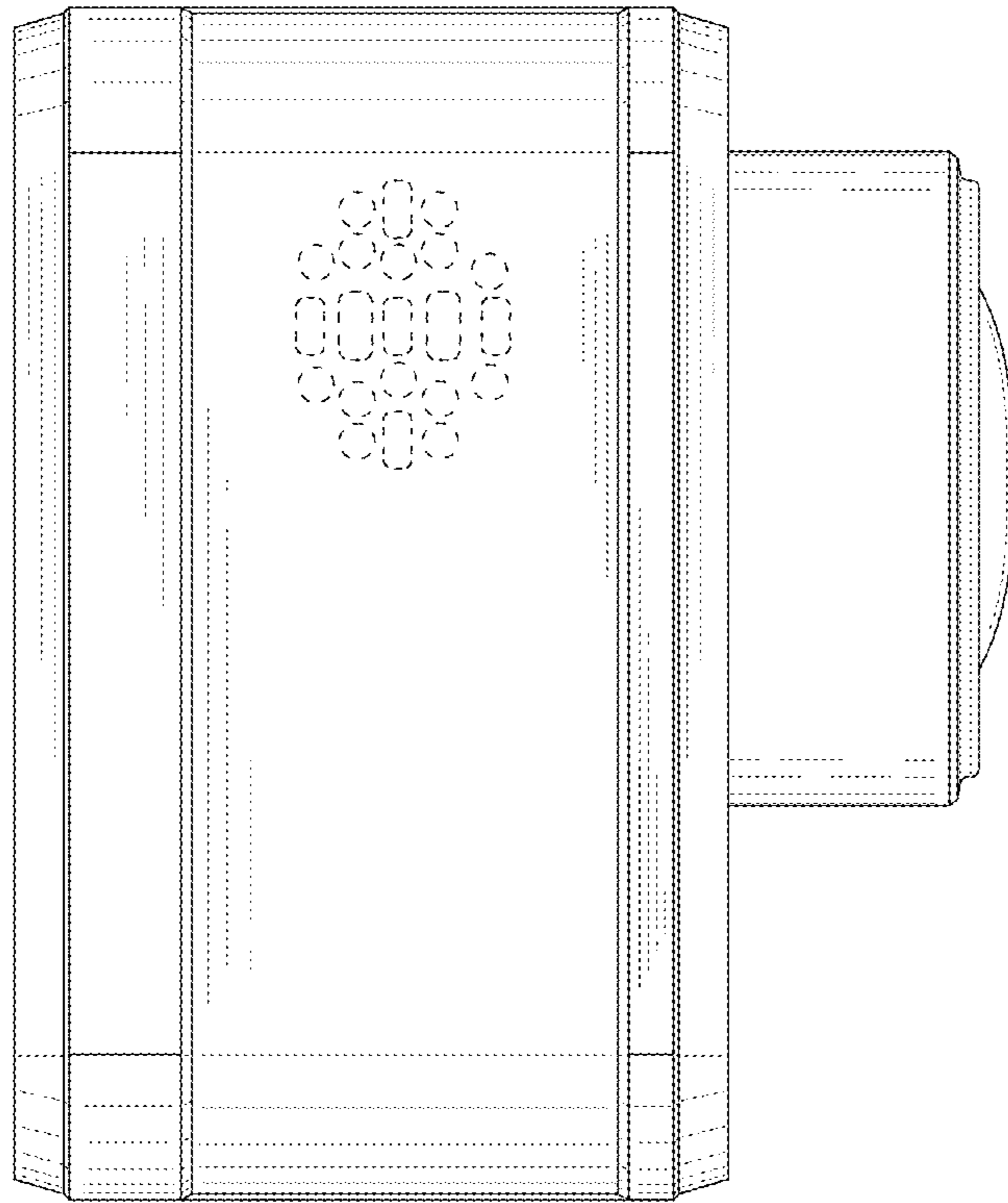


Fig .4

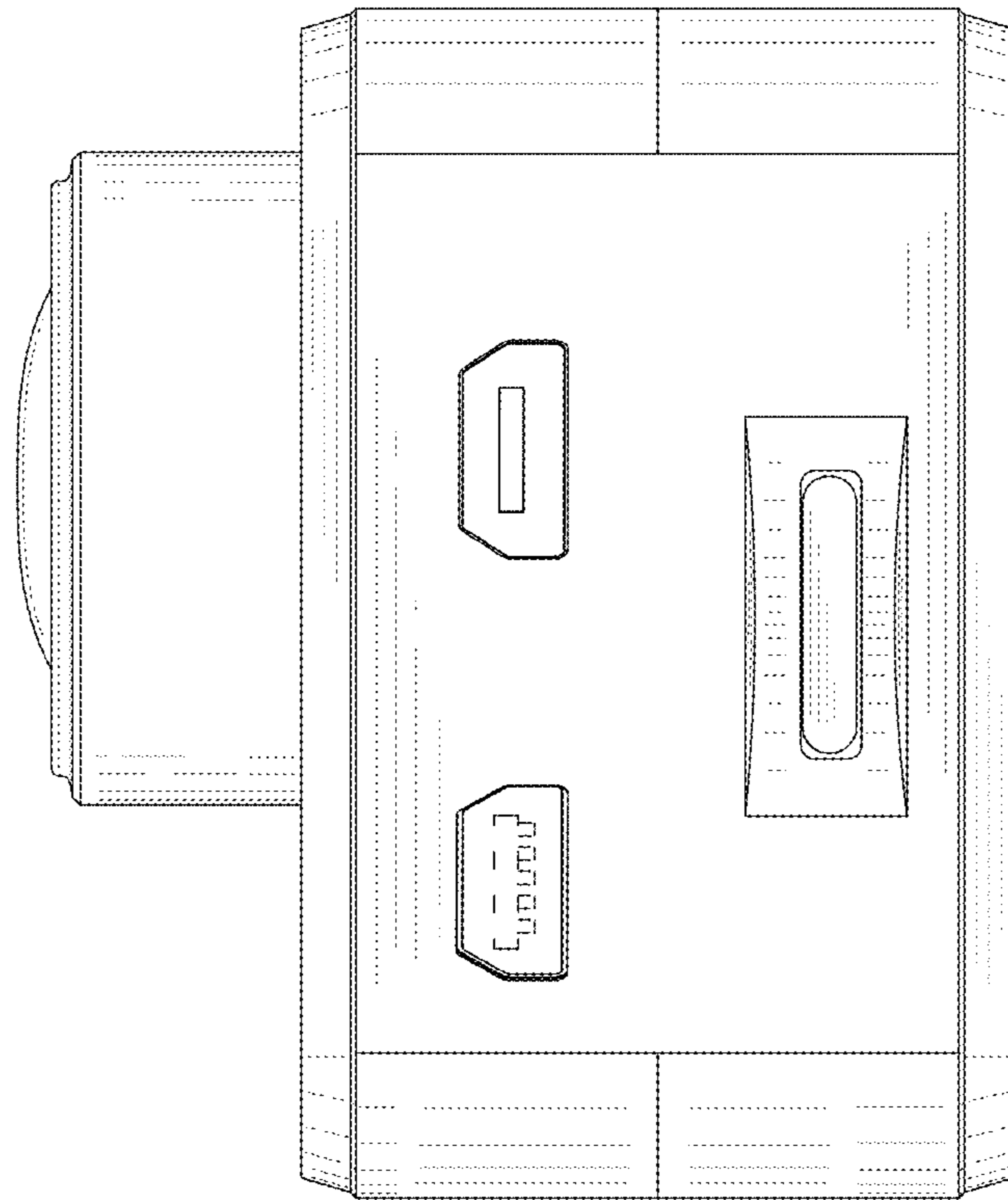


Fig .5

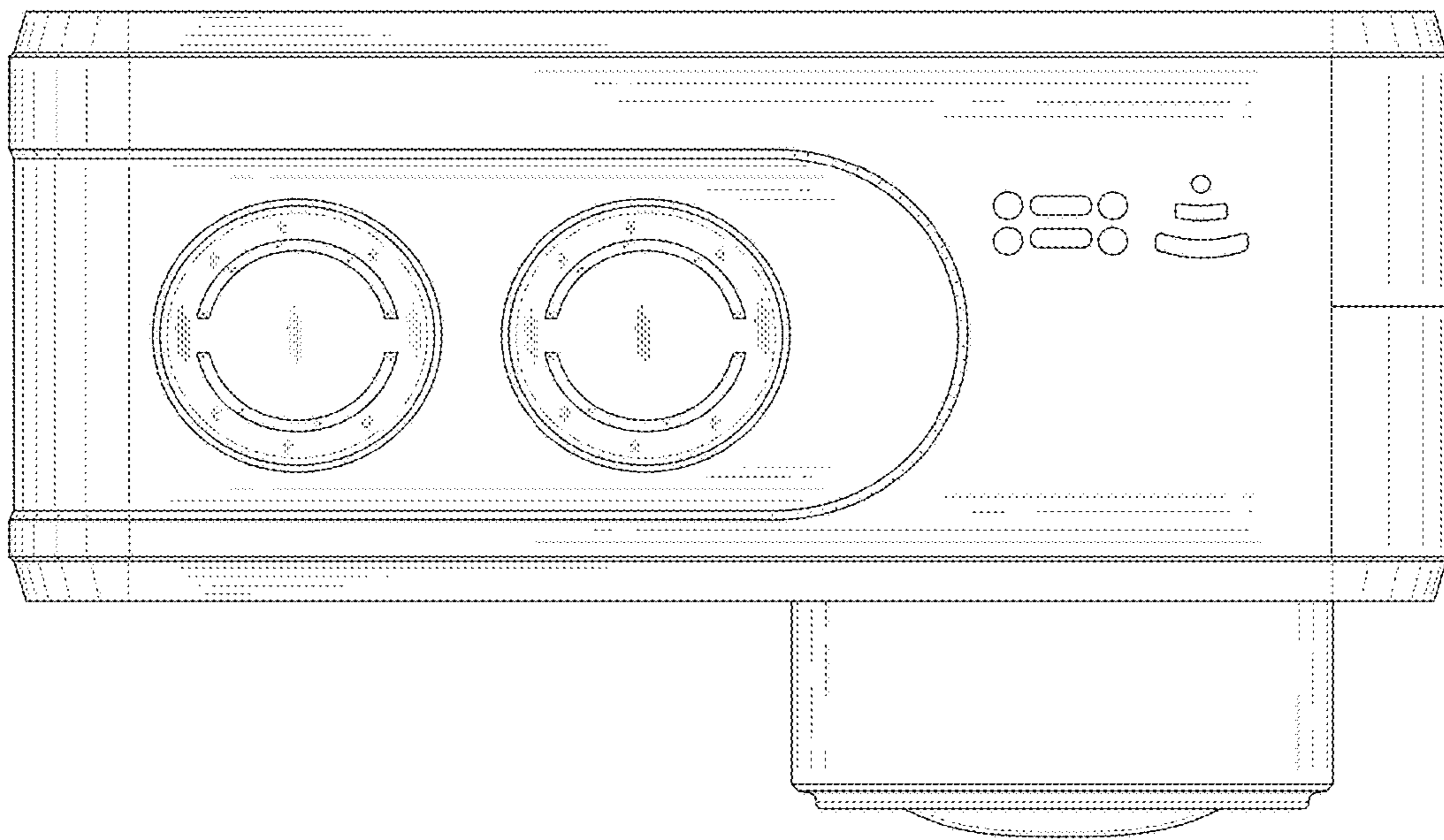


Fig .6

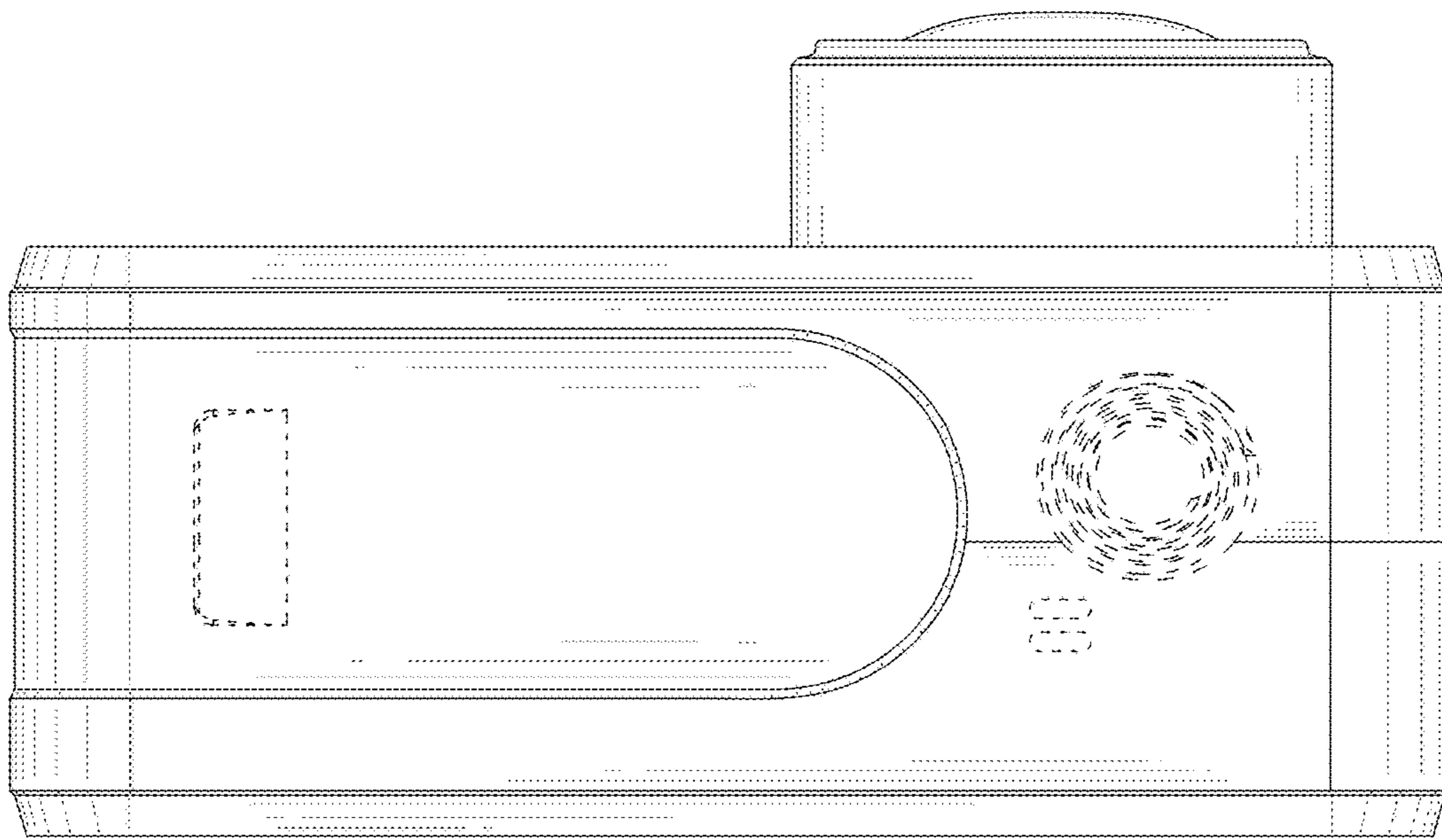


Fig .7