



US00D857075S

(12) **United States Design Patent**  
**Xu et al.**

(10) **Patent No.:** **US D857,075 S**

(45) **Date of Patent:** **\*\* Aug. 20, 2019**

(54) **BINOCULAR VIEWER FOR SMART PHONE  
BASED VIRTUAL VISUAL CHARTS**

(71) Applicant: **EyeQue Inc.**, Newark, CA (US)

(72) Inventors: **Ying Xu**, Newark, CA (US); **Nghi Phan**, Newark, CA (US); **Yue Wang**, Newark, CA (US); **John Serri**, Newark, CA (US)

(73) Assignee: **EYEQUE INC.**, Newark, CA (US)

(\*\*) Term: **15 Years**

(21) Appl. No.: **29/623,246**

(22) Filed: **Oct. 24, 2017**

(51) **LOC (12) Cl.** ..... **16-06**

(52) **U.S. Cl.**

USPC ..... **D16/133**

(58) **Field of Classification Search**

USPC ..... D16/130, 133, 136, 237

CPC ..... G02B 23/00

See application file for complete search history.

(56) **References Cited**

**U.S. PATENT DOCUMENTS**

D137,337 S *	2/1944	Gainsborg et al.	351/158
3,414,347 A *	12/1968	Stoltze	G02B 25/004 351/59
D395,055 S *	6/1998	Lee	D16/133
D453,174 S *	1/2002	Koinuma	D16/133

D476,347 S *	6/2003	Fujii	D16/133
D476,349 S *	6/2003	Fujii	D16/133
D522,551 S *	6/2006	Hayashi	D16/133
D752,670 S *	3/2016	Chen	D16/132
2002/0008905 A1 *	1/2002	Bellefui	G02B 23/18 359/407

\* cited by examiner

*Primary Examiner* — Holly E Thurman

(74) *Attorney, Agent, or Firm* — Steven A. Nielsen;  
www.NielsenPatents.com

(57) **CLAIM**

The ornamental design for a binocular viewer for smart phone based virtual visual charts, as shown and described.

**DESCRIPTION**

FIG. 1 is a top and front perspective view of a binocular viewer for smart phone based virtual visual charts showing a new design;

FIG. 2 is a top and back perspective view thereof;

FIG. 3 is a top view thereof;

FIG. 4 is a bottom view thereof;

FIG. 5 is a left side view thereof;

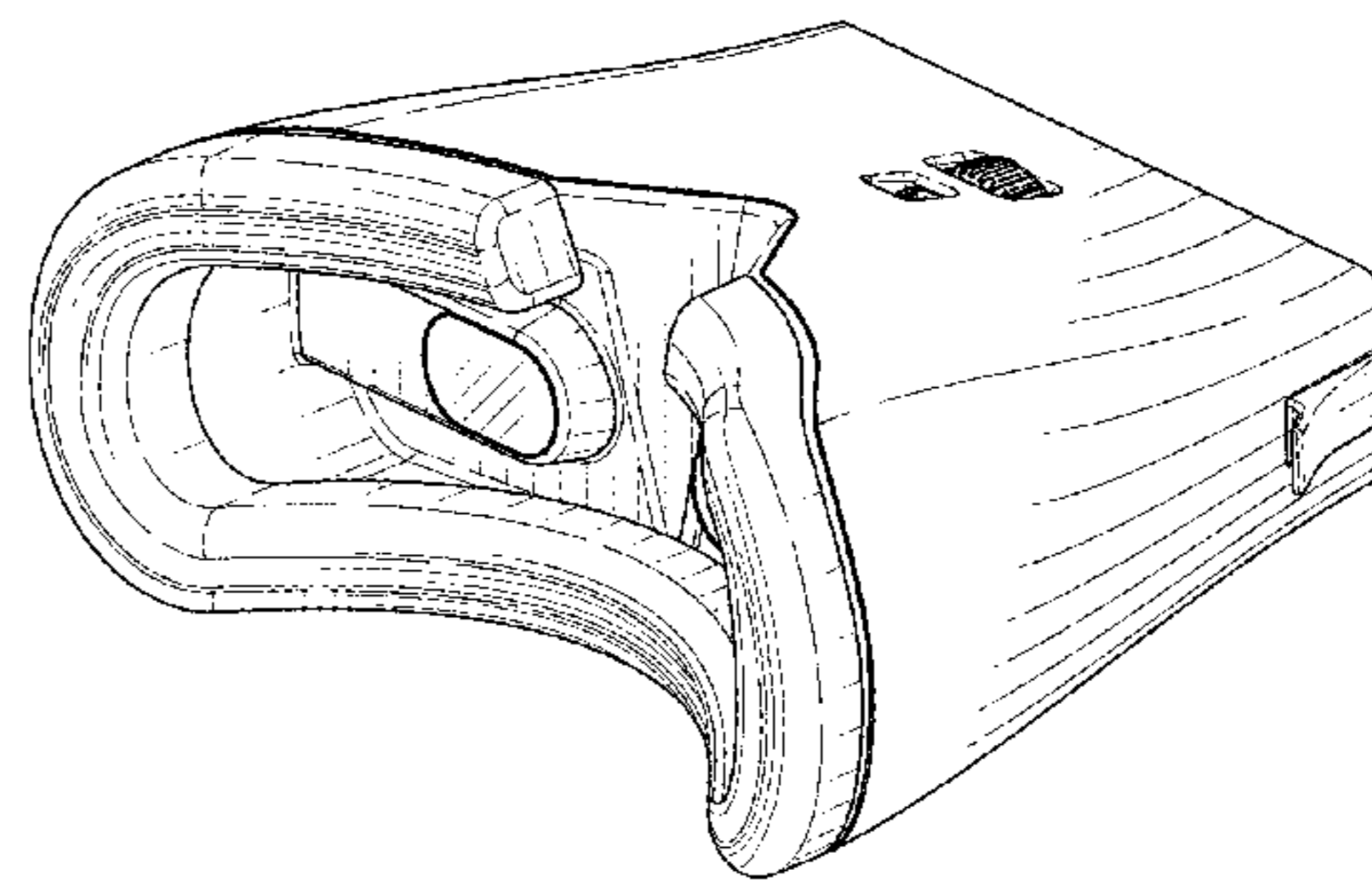
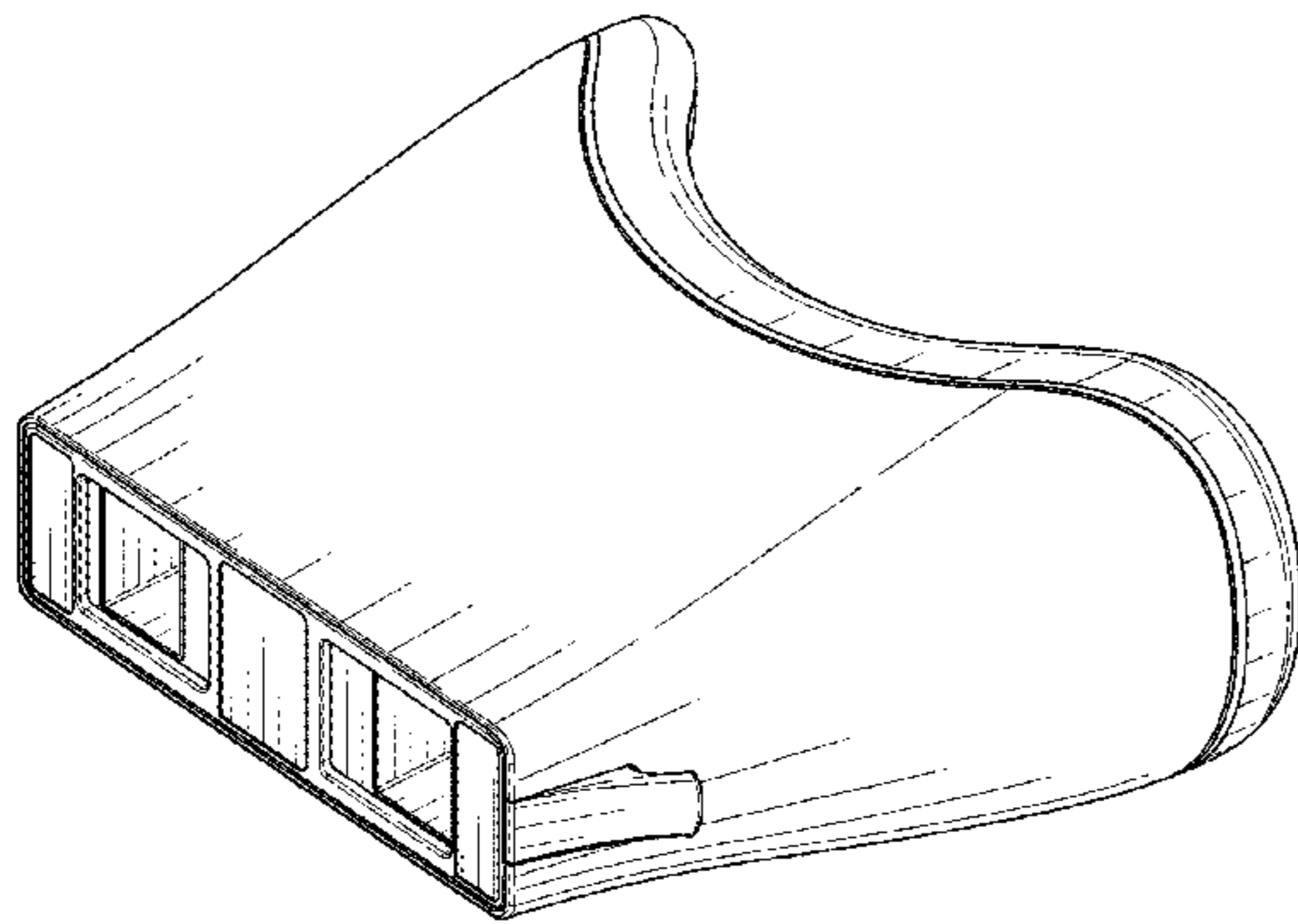
FIG. 6 is a right side view thereof;

FIG. 7 is a back view thereof; and,

FIG. 8 is a front view thereof.

The dashed lines in FIGS. 2, 3, 7 and 8 depict environment and form no part of the claimed design.

**1 Claim, 5 Drawing Sheets**



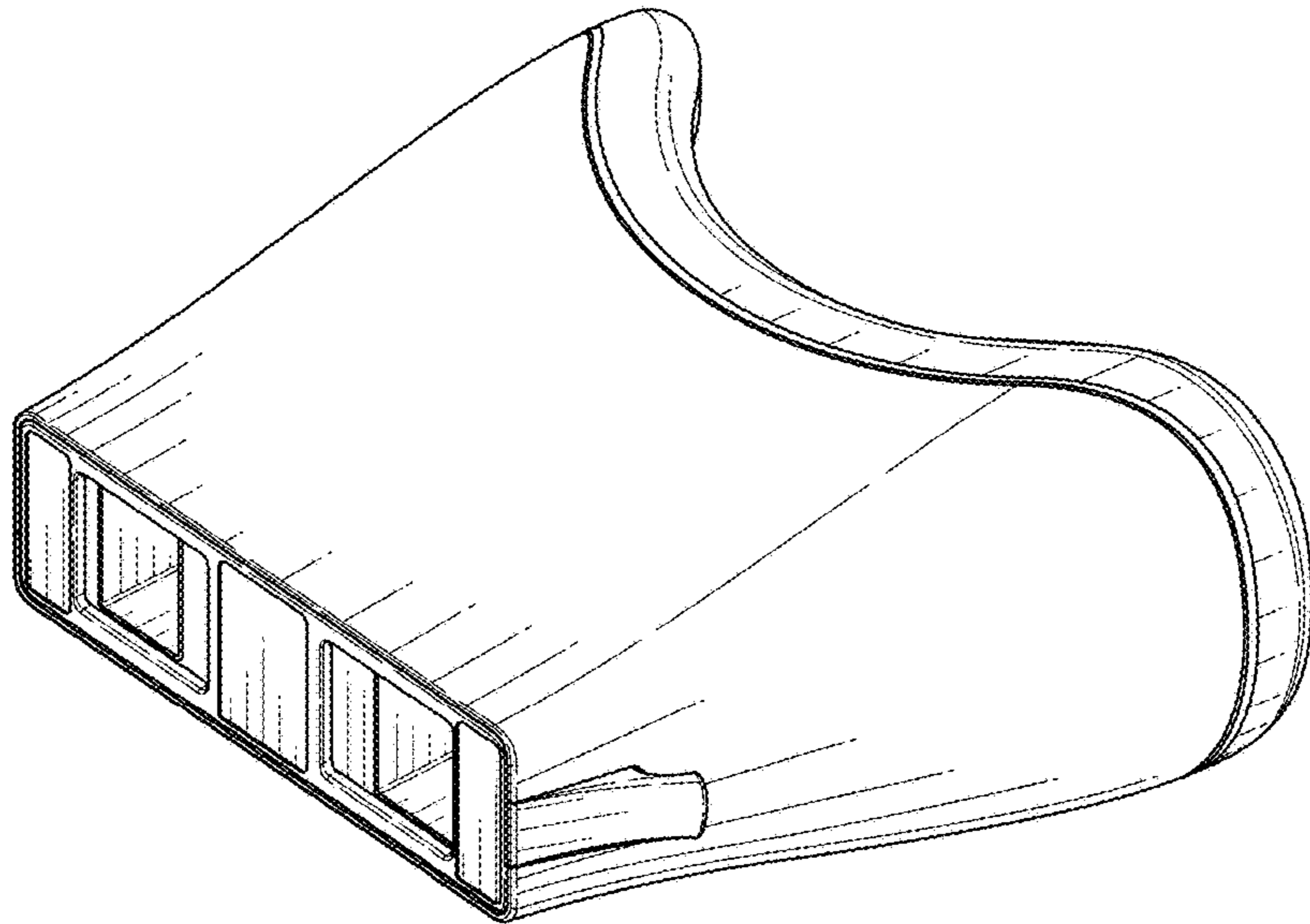


FIG. 1

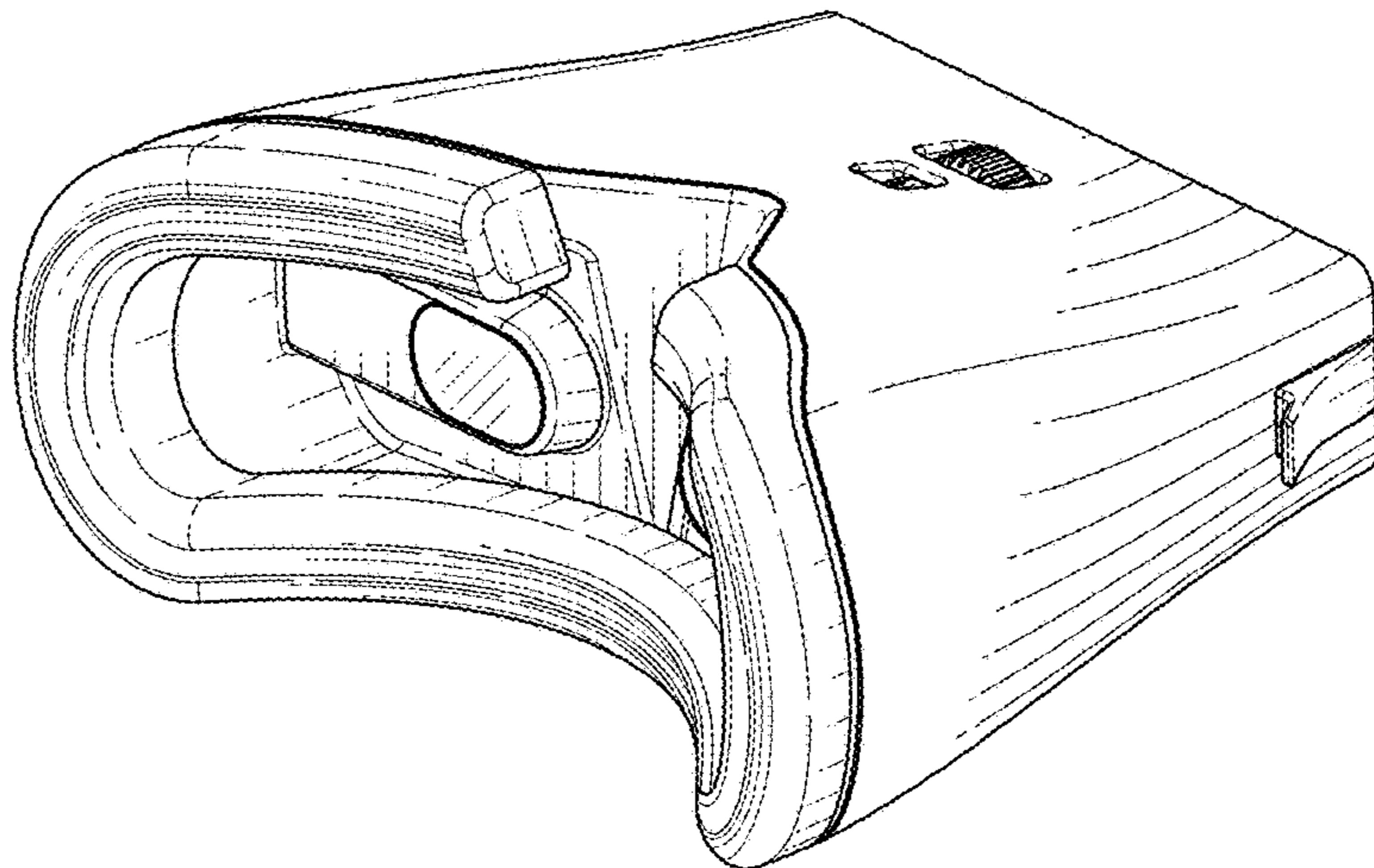


FIG. 2

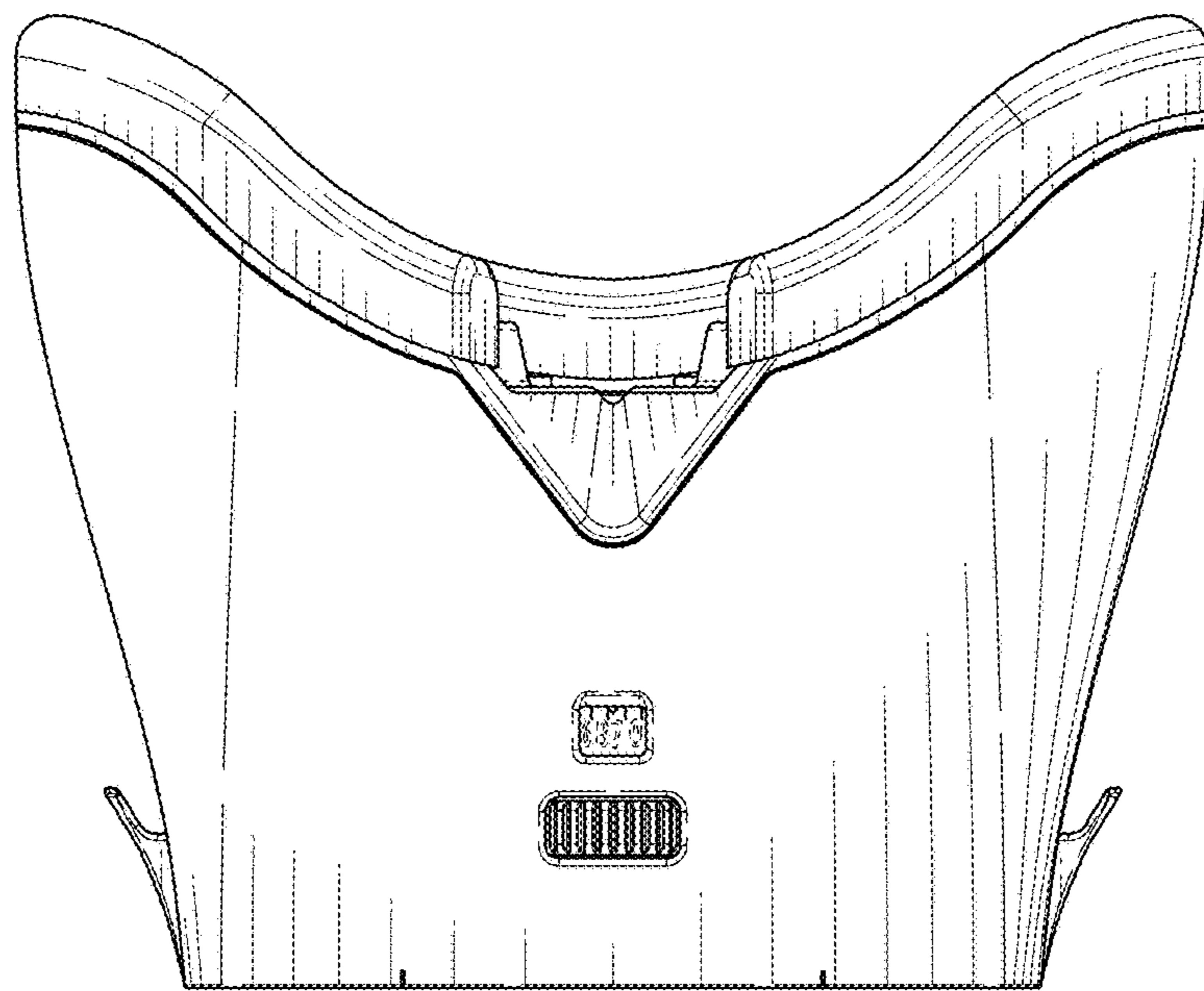


FIG. 3

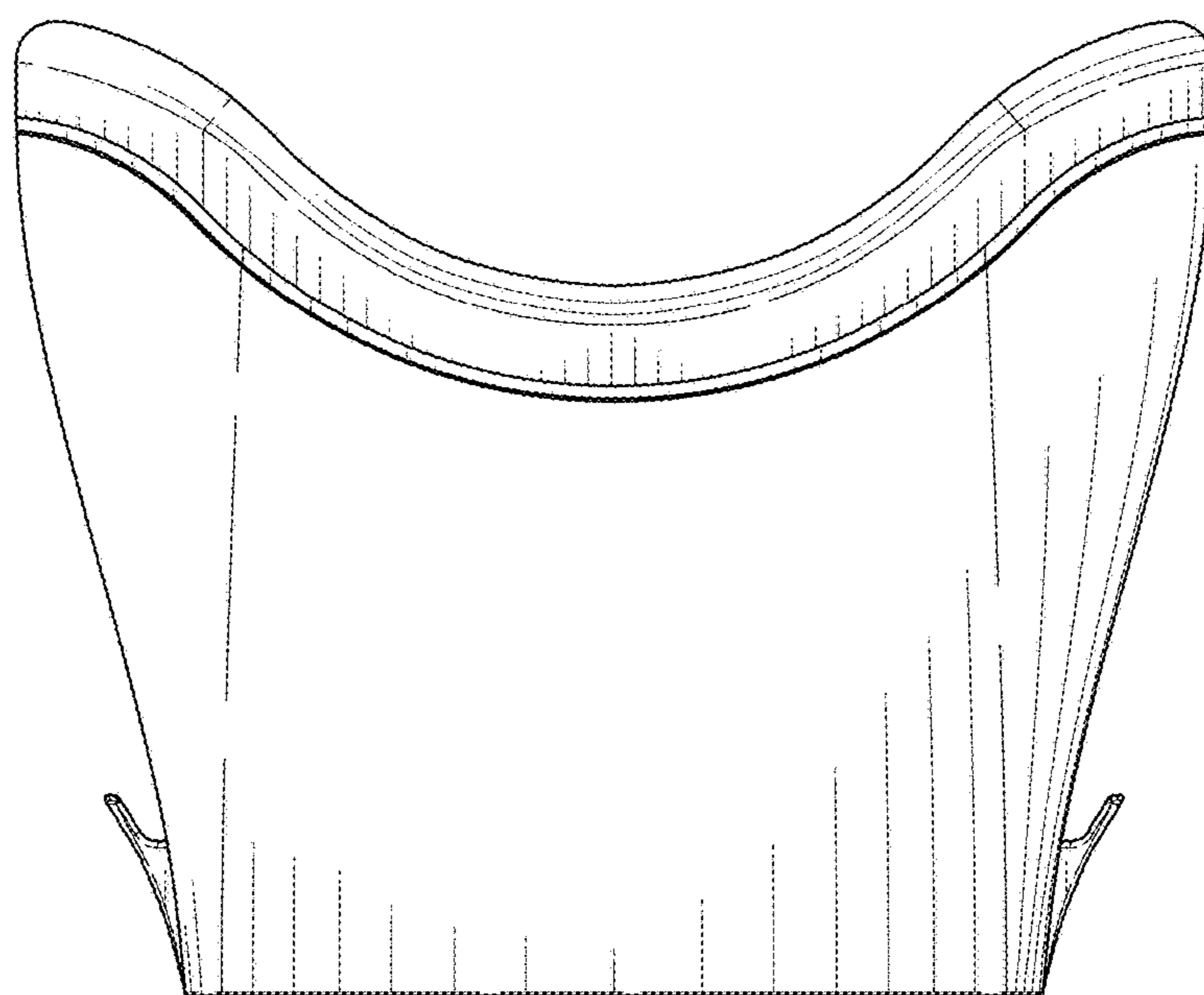


FIG. 4

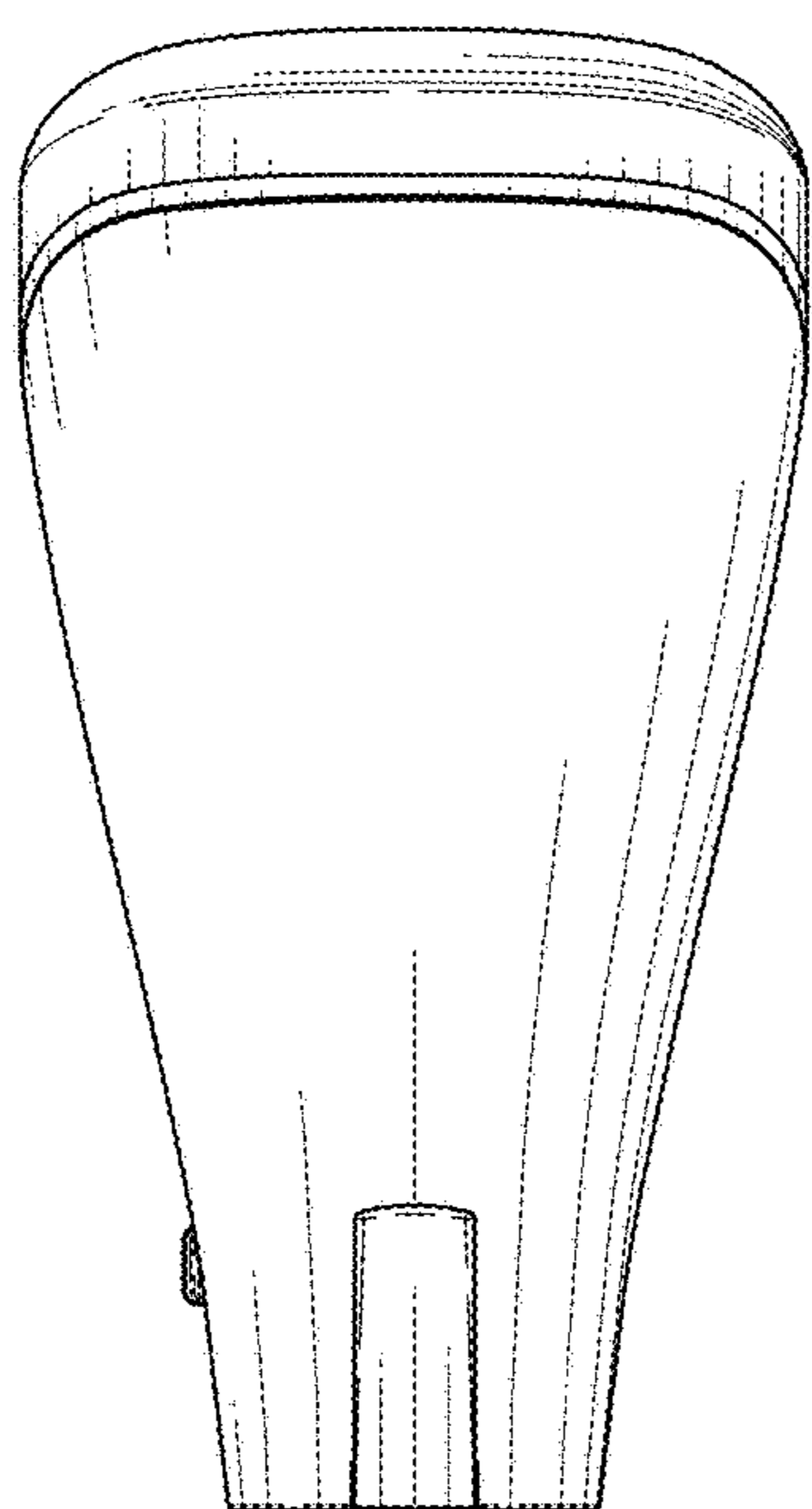


FIG. 5

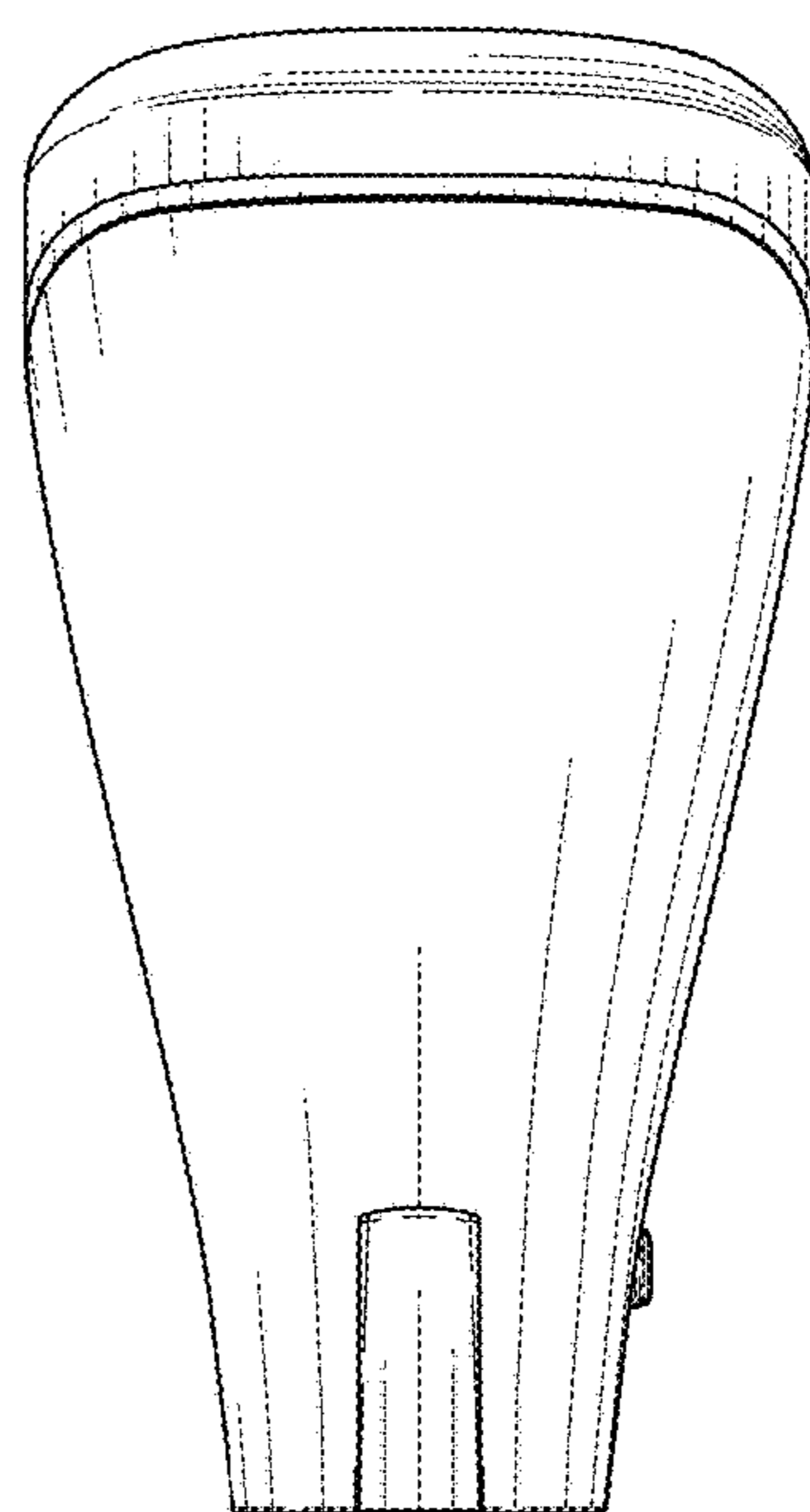


FIG. 6

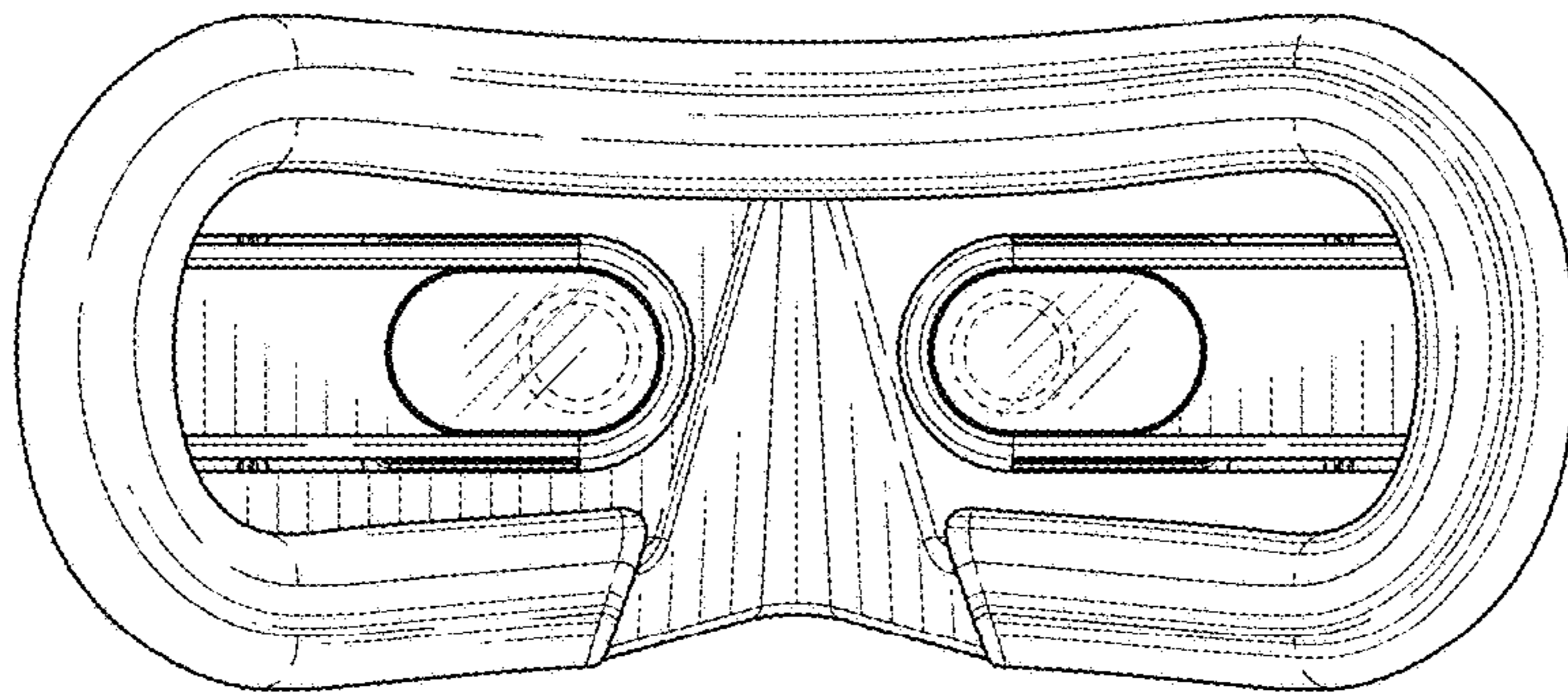


FIG. 7

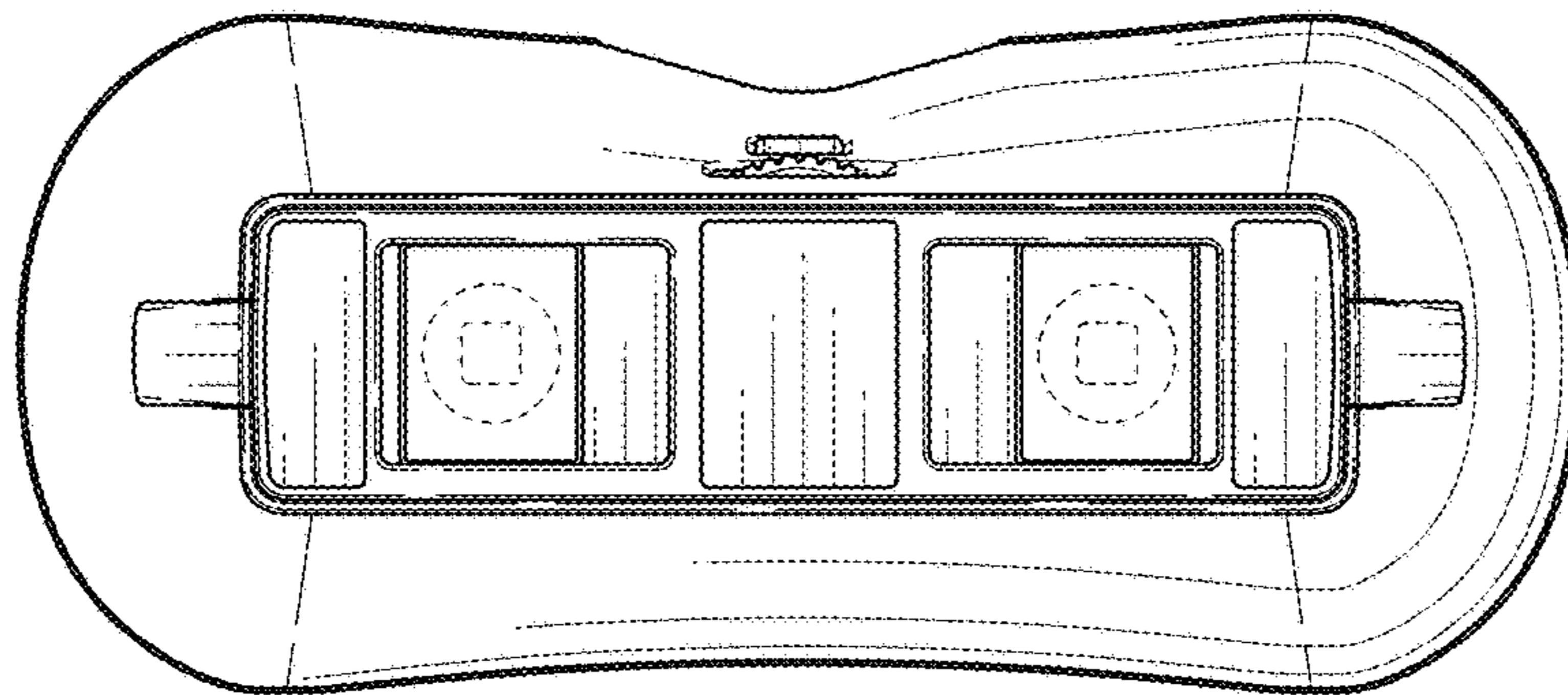


FIG. 8