



US00D857074S

(12) **United States Design Patent**
Kim et al.

(10) **Patent No.:** **US D857,074 S**
(45) **Date of Patent:** **** Aug. 20, 2019**

(54) **ROBOT FOR GUIDING PEOPLE**
(71) Applicant: **LG ELECTRONICS INC.**, Seoul (KR)
(72) Inventors: **Jinsu Kim**, Seoul (KR); **Hyunjung Kim**, Seoul (KR); **Taewoo Yoo**, Seoul (KR); **Jihyun Lee**, Seoul (KR); **Soonho Jung**, Seoul (KR)

(73) Assignee: **LG Electronics Inc.**, Seoul (KR)
(**) Term: **15 Years**

(21) Appl. No.: **35/505,273**

(22) Filed: **Jan. 10, 2018**

(80) **Hague Agreement Data**

Int. Filing Date: **Jan. 10, 2018**
Int. Reg. No.: **DM/100732**
Int. Reg. Date: **Jan. 10, 2018**
Int. Reg. Pub. Date: **Jul. 13, 2018**

(30) **Foreign Application Priority Data**

Jan. 4, 2018 (KR) 30-2018-0000550

(51) **LOC (12) Cl.** **15-99**

(52) **U.S. Cl.**
USPC **D15/199**
CPC **A63H 11/00** (2013.01)

(58) **Field of Classification Search**

USPC D7/300, 305-311, 397-400; D10/22, 23, D10/25, 28; D14/159, 176, 209.1, 216, D14/221, 239, 265, 496, 497, 508, 509, D14/125; D15/10-13, 22, 122, 199
CPC A63H 11/00; A63H 2200/00; B25J 9/00; B25J 9/04; B25J 918/00; G06N 3/00; G06N 3/004; G06N 3/008

See application file for complete search history.

(56) **References Cited**

U.S. PATENT DOCUMENTS

4,717,364 A * 1/1988 Furukawa A63H 11/00 367/198
D298,766 S * 11/1988 Tanno D21/578

D456,080 S * 4/2002 Karlsson D24/185
D549,756 S * 8/2007 Park D15/199
D563,443 S * 3/2008 Ahn D15/199
D566,737 S * 4/2008 Matsuda D15/199
D572,739 S * 7/2008 Jennings D15/199
D579,035 S * 10/2008 Kim B25J 11/008 D15/199
D608,804 S * 1/2010 Labak D15/199
D631,074 S * 1/2011 Peters D15/144
D635,603 S * 4/2011 Paz Rodriguez D15/199
D644,256 S * 8/2011 Kitano D15/199
D663,333 S * 7/2012 Kitano D15/199
D675,656 S * 2/2013 Sutherland D15/199
8,494,675 B2 * 7/2013 Ichinose G05D 1/024 700/245
8,620,547 B2 * 12/2013 Monsere B60T 8/885 701/22
D701,256 S * 3/2014 Song D15/199
D720,378 S * 12/2014 Dye D15/199
8,935,006 B2 * 1/2015 Vu B25J 5/007 700/264

(Continued)

Primary Examiner — Richard E Chilcot

(74) *Attorney, Agent, or Firm* — Birch, Stewart, Kolasch & Birch, LLP

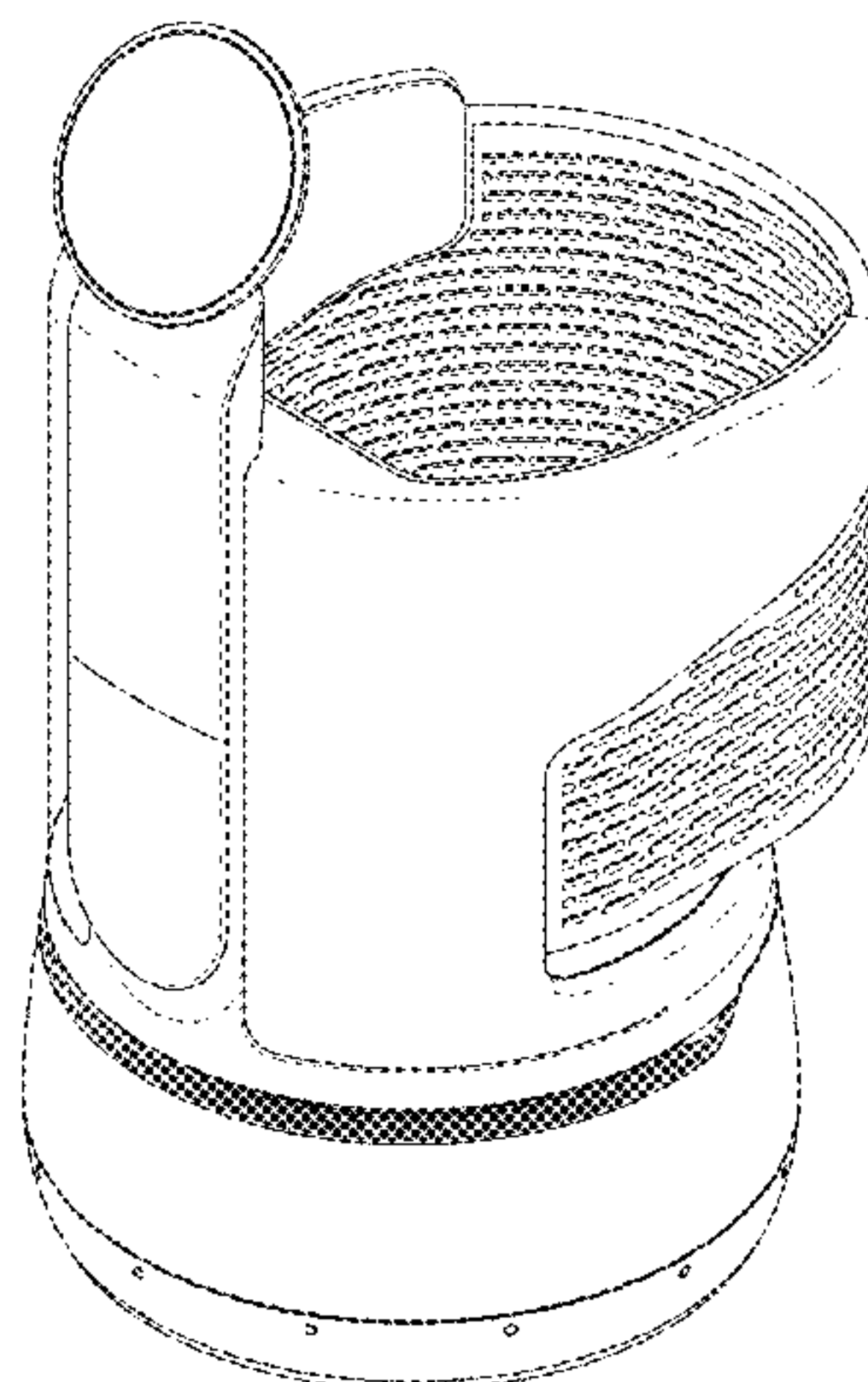
(57) **CLAIM**

The ornamental design for a robot for guiding people, as shown and described.

DESCRIPTION

- 1. Robot for guiding people
- 1.1 : Perspective
- 1.2 : Front
- 1.3 : Back
- 1.4 : Left
- 1.5 : Right
- 1.6 : Top
- 1.7 : Bottom

1 Claim, 7 Drawing Sheets



(56)

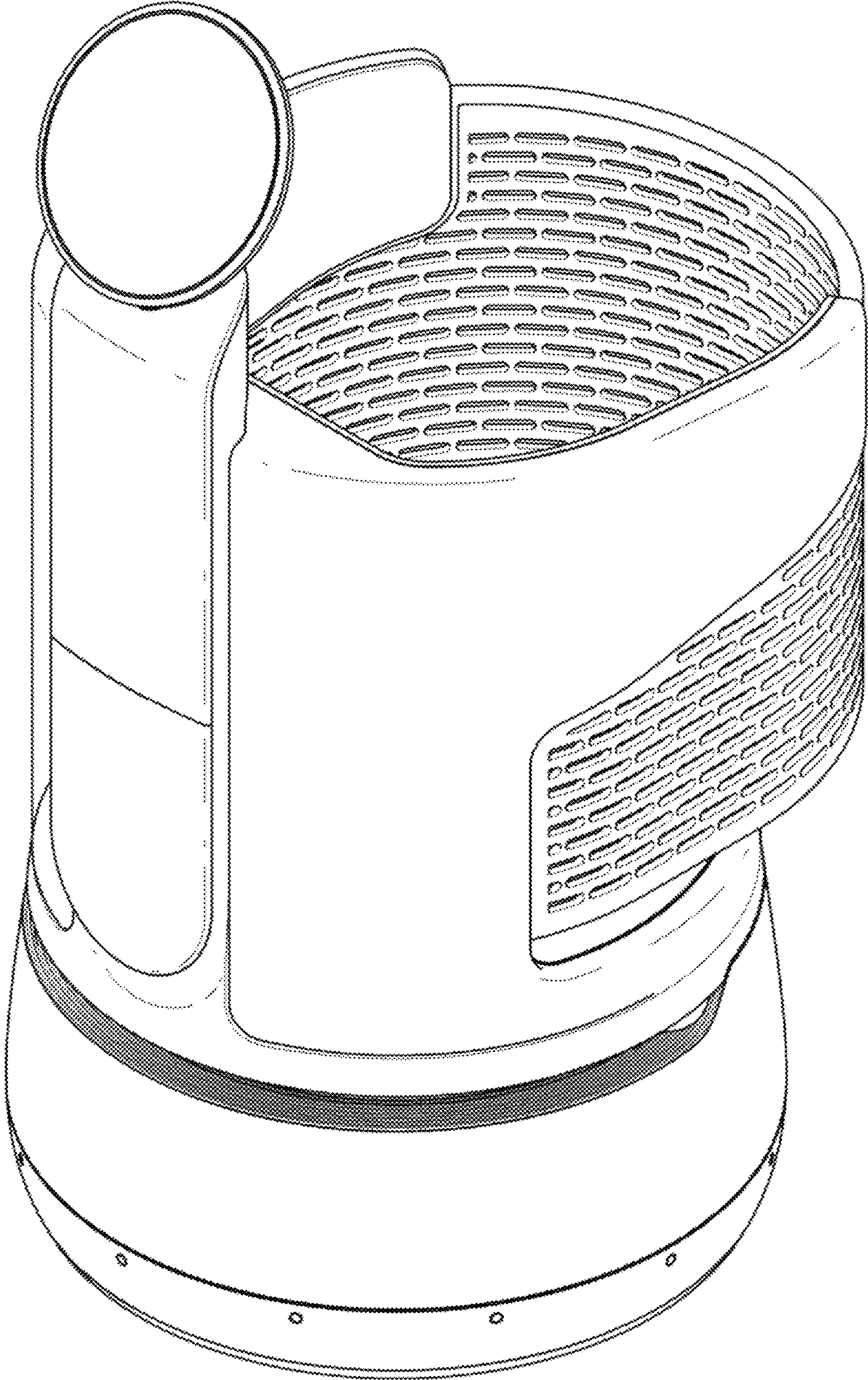
References Cited

U.S. PATENT DOCUMENTS

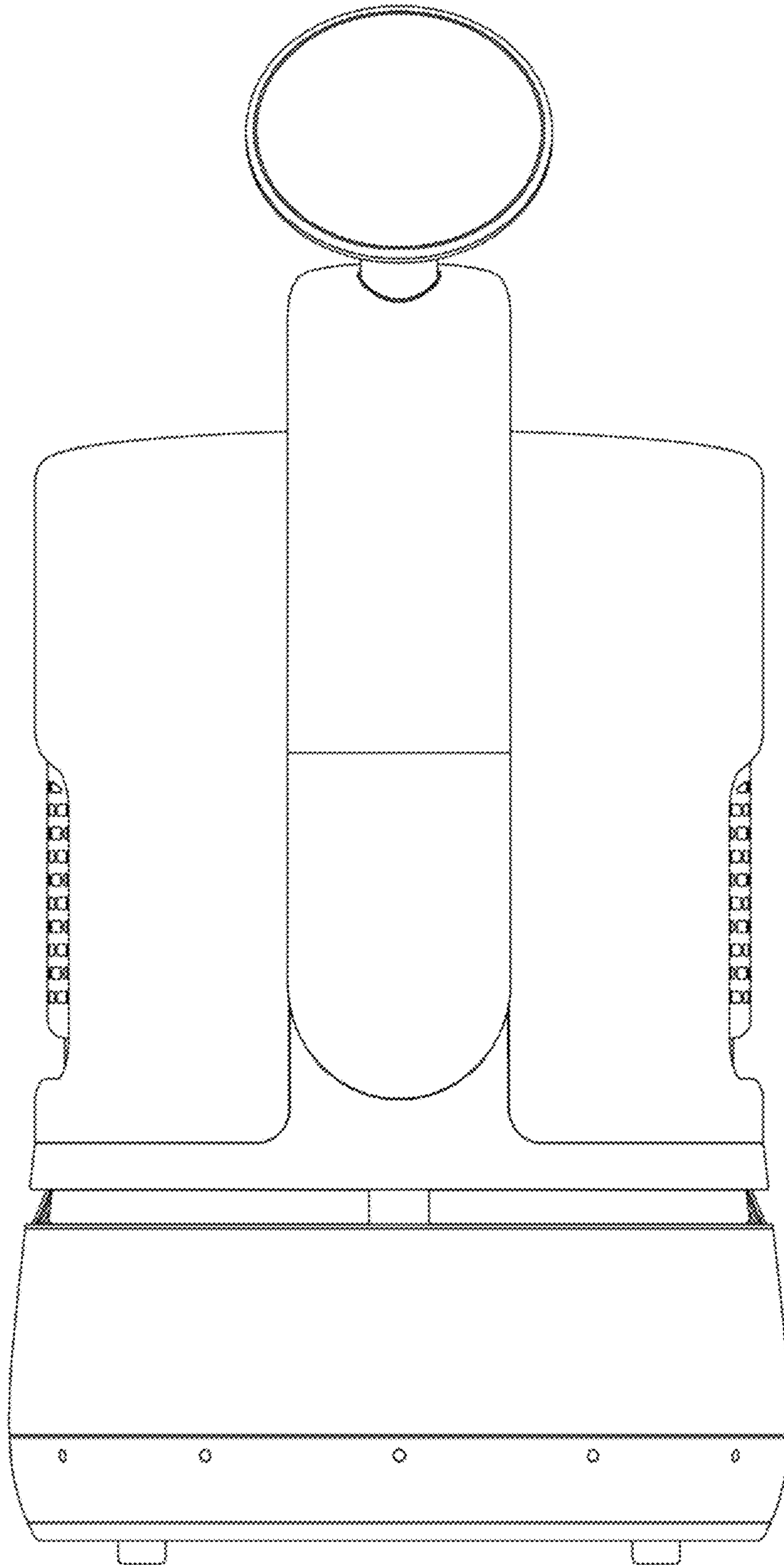
D725,166	S	*	3/2015	Paik	D15/199
D732,096	S	*	6/2015	Jang	D15/199
D735,258	S	*	7/2015	Jang	D15/199
D739,450	S	*	9/2015	Jain	D15/199
D752,668	S	*	3/2016	Pedersen	D15/199
9,291,698	B2	*	3/2016	Watanabe	G01S 5/0072
D761,339	S	*	7/2016	White, Jr.	D15/199
D761,894	S	*	7/2016	Ho	D15/199
D769,953	S	*	10/2016	Bauman	D15/199
9,469,031	B2	*	10/2016	Saito	B25J 9/1676
D781,945	S	*	3/2017	Uno	D15/199
D802,040	S	*	11/2017	Canoso	D15/199
D810,167	S	*	2/2018	Yang	D15/199
D810,800	S	*	2/2018	Wang	D15/199
D811,458	S	*	2/2018	Wang	D15/199
D813,284	S	*	3/2018	Wei	D15/199
D813,285	S	*	3/2018	Wei	D15/199
D817,375	S	*	5/2018	Deyle	D15/199
D820,334	S	*	6/2018	Lee	D15/199
D826,303	S	*	8/2018	Metta	D15/199
2007/0132419	A1	*	6/2007	Hashimoto	B25J 5/007 318/568.12
2008/0147261	A1	*	6/2008	Ichinose	G01C 22/006 701/24
2009/0169347	A1	*	7/2009	Teng	B25J 5/00 414/401
2015/0190927	A1	*	7/2015	Sutherland	H04W 4/70 700/259
2018/0178375	A1	*	6/2018	Yang	B25J 5/007

* cited by examiner

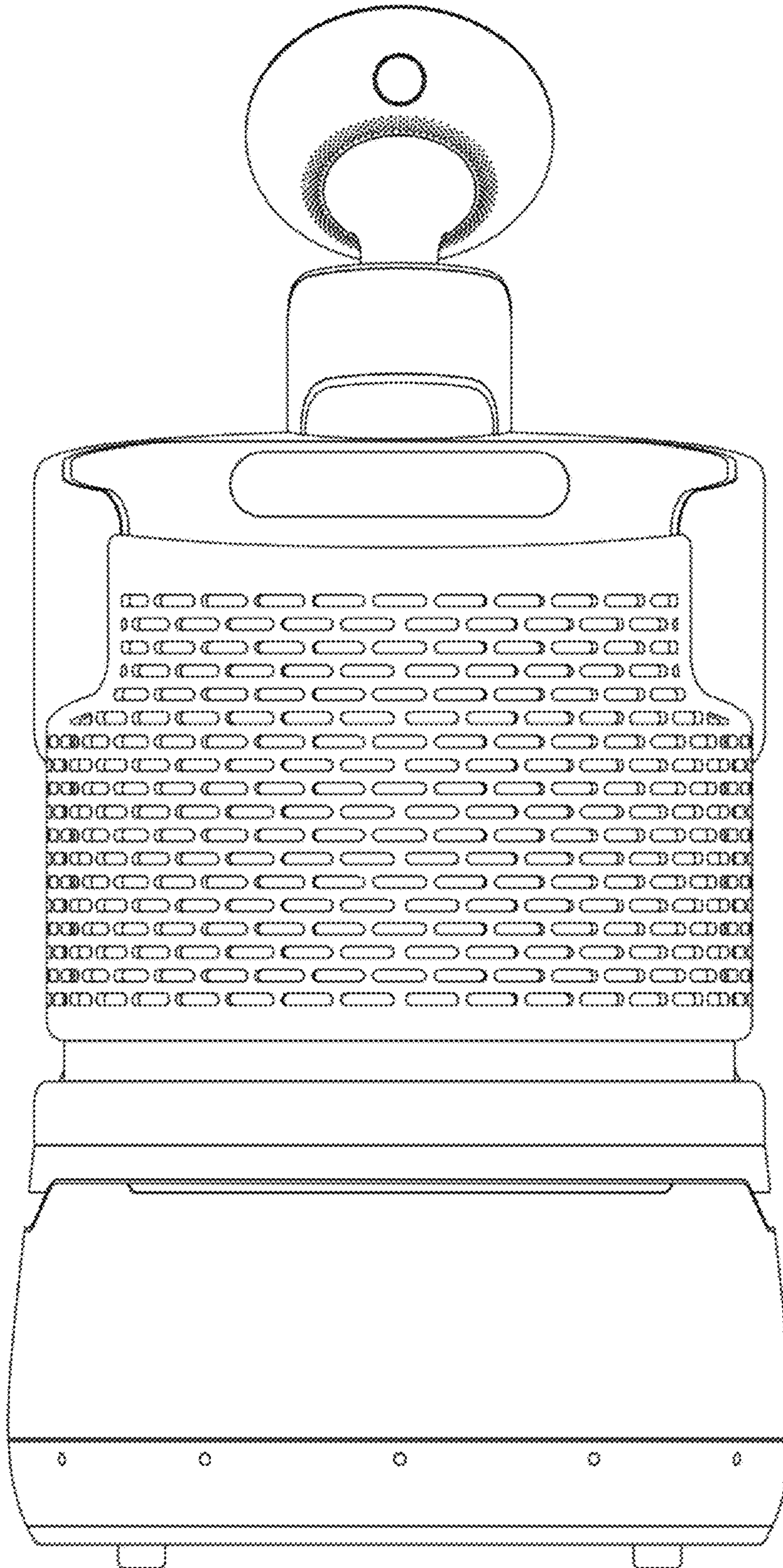
1.1



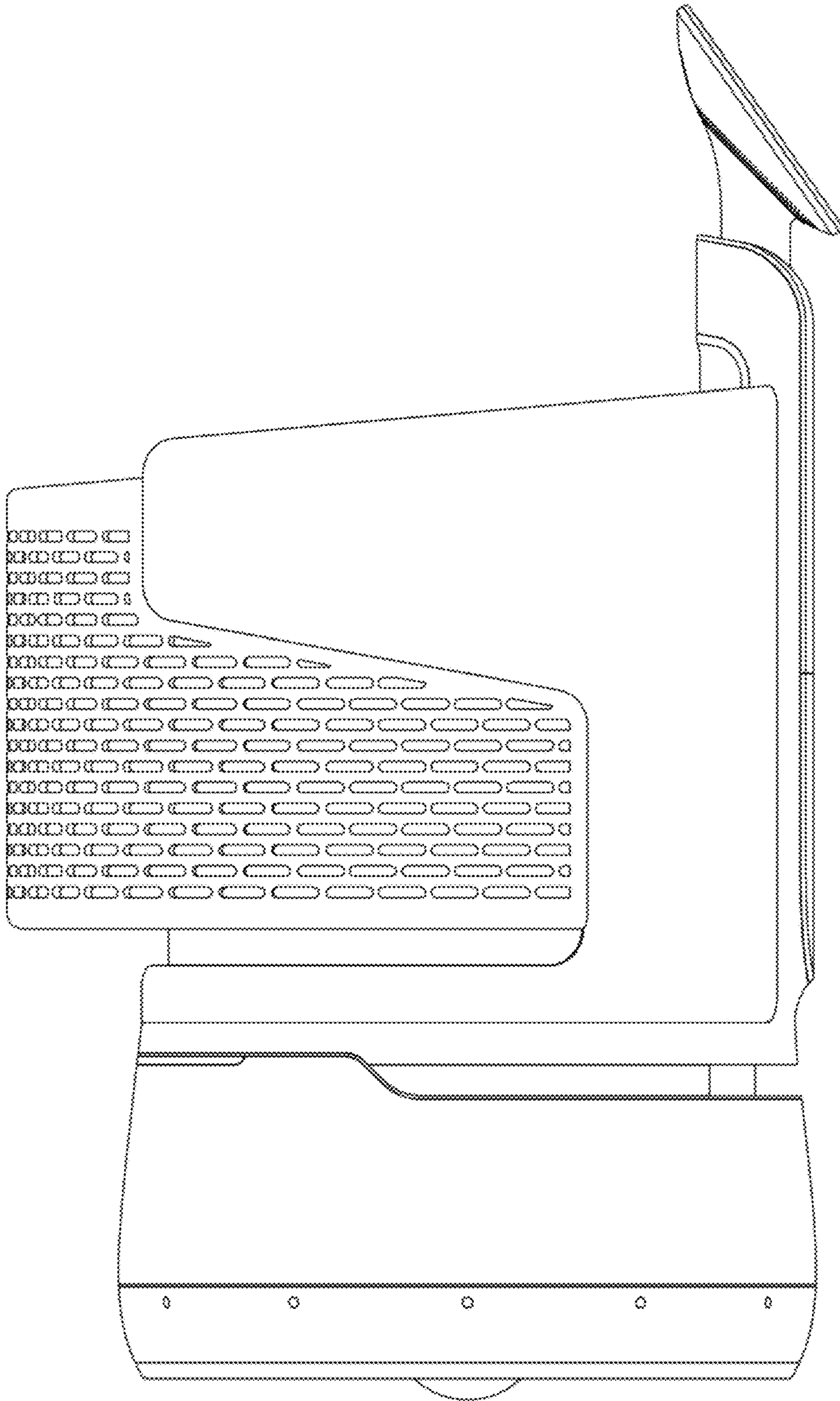
1.2



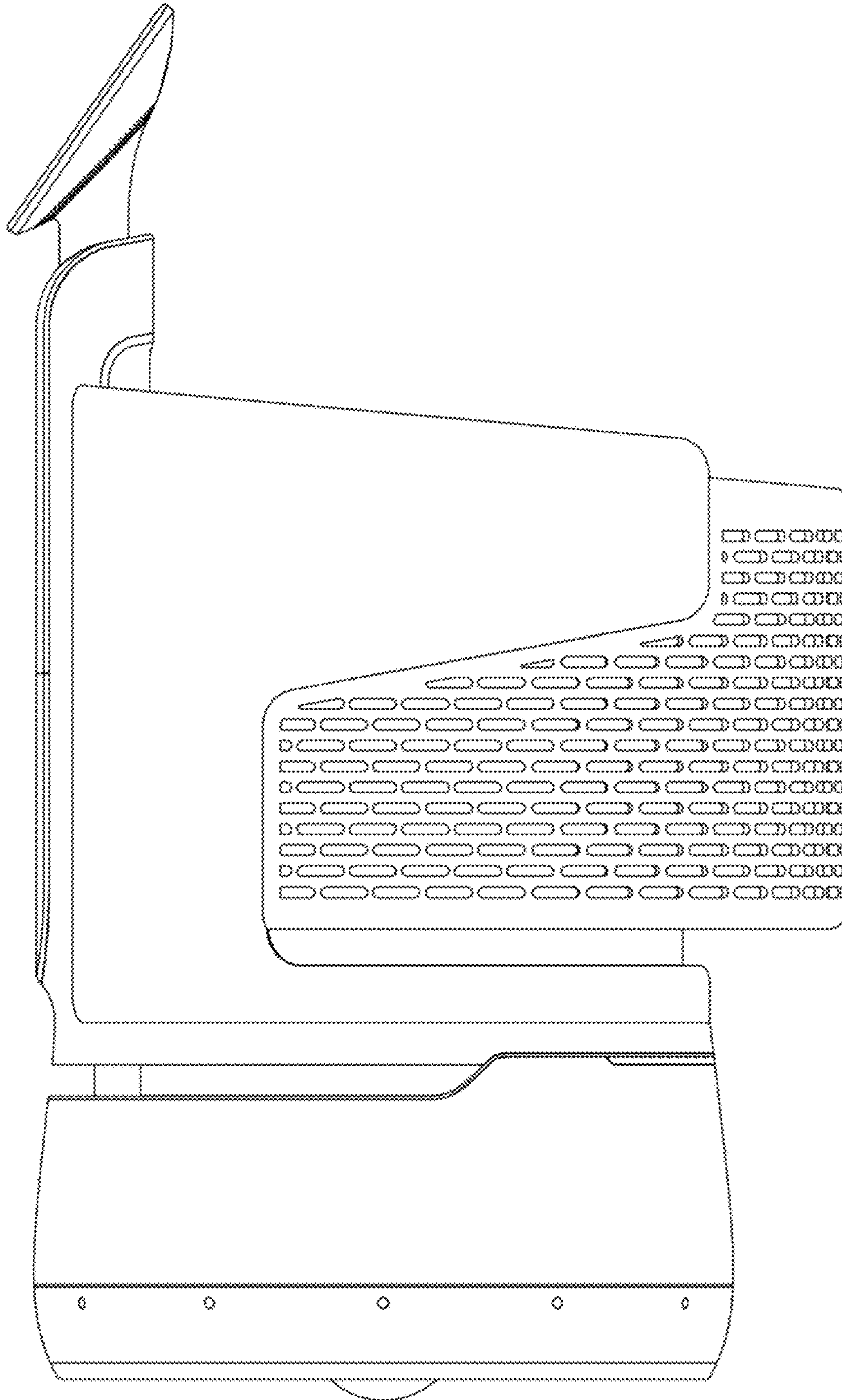
1.3



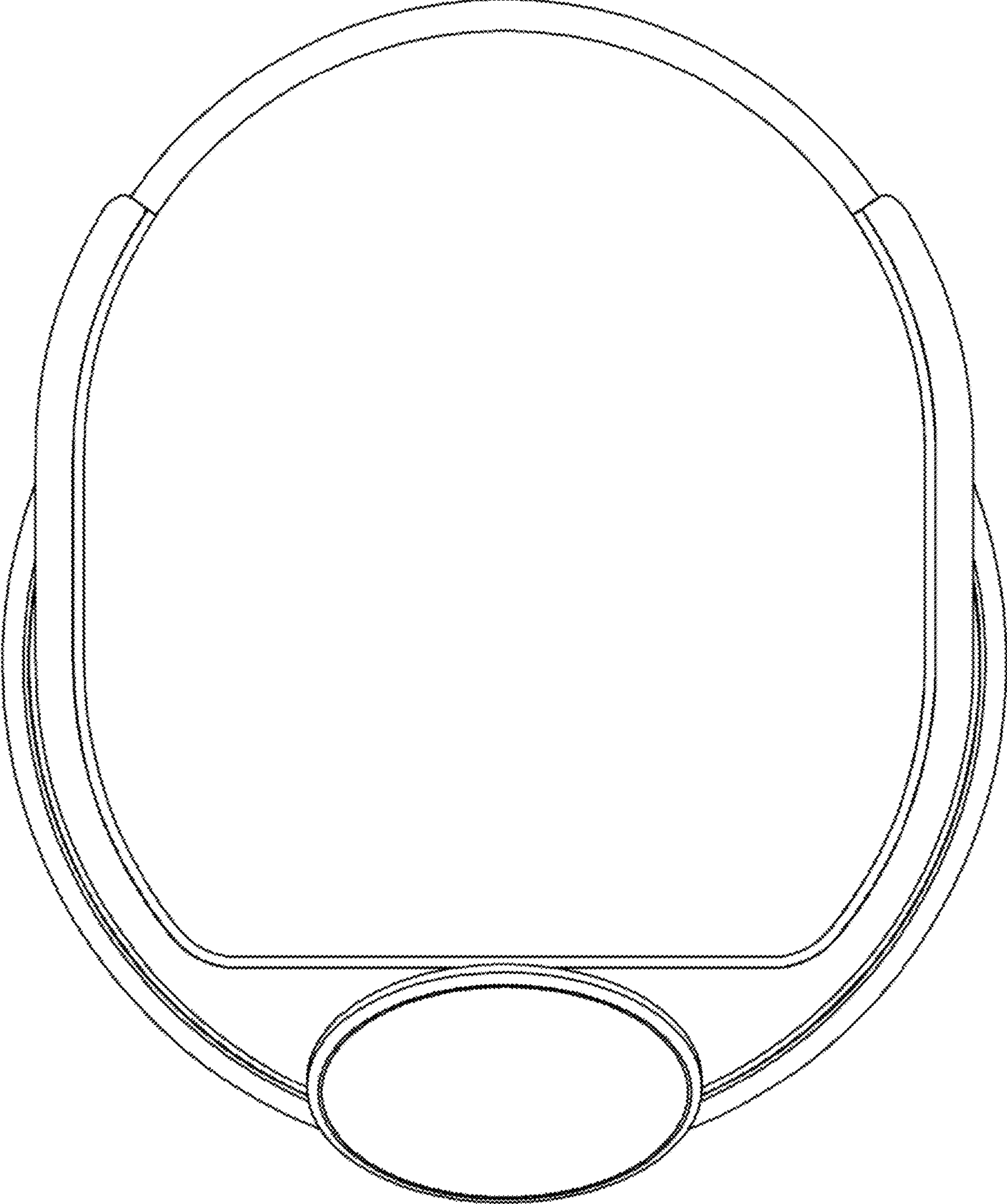
1.4



1.5



1.6



1.7

