



US00D857073S

(12) **United States Design Patent**  
**Gayne et al.**

(10) **Patent No.:** **US D857,073 S**

(45) **Date of Patent:** **\*\* Aug. 20, 2019**

- (54) **AUTONOMOUS MOBILE ROBOT**
- (71) Applicant: **Jabil Inc.**, St. Petersburg, FL (US)
- (72) Inventors: **Jarrett Gayne**, St. Petersburg, FL (US);  
**Tim Rowland**, St. Petersburg, FL (US)
- (73) Assignee: **JABIL INC.**, St. Petersburg, FL (US)
- (\*\*) Term: **15 Years**
- (21) Appl. No.: **29/642,663**
- (22) Filed: **Mar. 30, 2018**
- (51) **LOC (12) Cl.** ..... **15-99**
- (52) **U.S. Cl.**  
USPC ..... **D15/199**
- (58) **Field of Classification Search**  
USPC ..... D15/199; D21/369, 578-583, 621, 622  
CPC ... B25J 5/00; B25J 5/007; B25J 9/0006; B25J  
19/0016; Y10S 901/01; Y10S 901/19;  
Y10S 901/27  
See application file for complete search history.

- D817,375 S \* 5/2018 Deyle ..... D15/199
- D819,711 S \* 6/2018 Li ..... D15/199
- D819,712 S \* 6/2018 Gee ..... D15/199
- D822,736 S \* 7/2018 Kato ..... D15/199
- D829,250 S \* 9/2018 Zilbershtein ..... D15/199
- D829,252 S \* 9/2018 Wang ..... D15/199
- D840,452 S \* 2/2019 Yoo ..... D15/199
- D841,067 S \* 2/2019 Camporesi ..... D15/199

(Continued)

*Primary Examiner* — Patricia A Palasik

(74) *Attorney, Agent, or Firm* — Thomas J. McWilliams;  
Barnes & Thornburg LLP

(57) **CLAIM**

We claim the ornamental design for an autonomous mobile robot, as shown and described.

**DESCRIPTION**

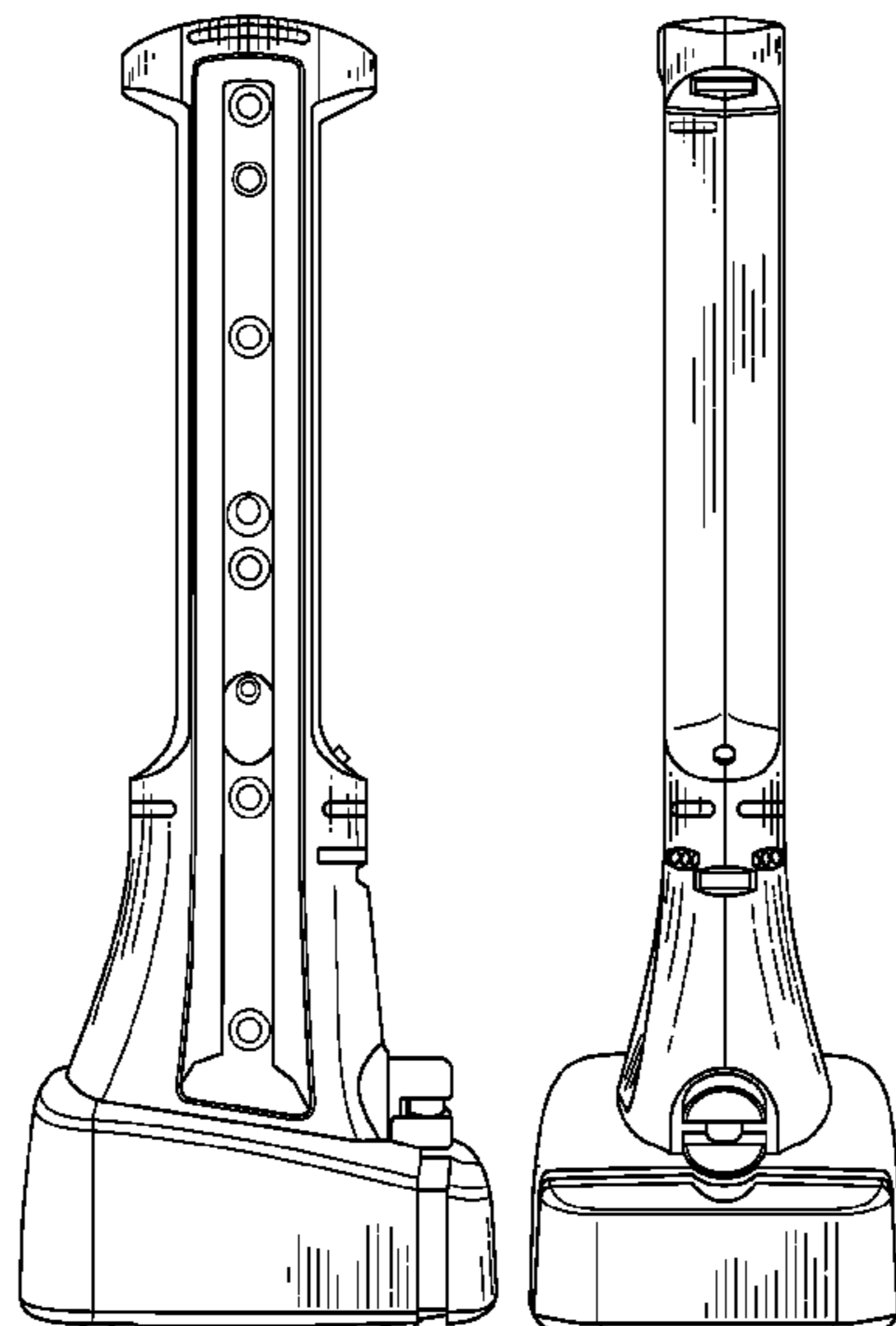
FIG. 1 is a complete view with cameras hatched (cameras are unclaimed) of an autonomous mobile robot representing an embodiment of the present invention;  
 FIG. 2 is a side view of the autonomous mobile robot depicted in FIG. 1;  
 FIG. 3 is a side view of the autonomous mobile robot depicted in FIG. 1;  
 FIG. 4 is a front view of the autonomous mobile robot depicted in FIG. 1;  
 FIG. 5 is a back view of the autonomous mobile robot depicted in FIG. 1;  
 FIG. 6 is a top view of the autonomous mobile robot depicted in FIG. 1;  
 FIG. 7 is a bottom view of the autonomous mobile robot depicted in FIG. 1; and,  
 FIG. 8 is a perspective view of the autonomous mobile robot depicted in FIG. 1.  
 The broken lines in the drawings depict portions of the autonomous mobile robot that form no part of the claimed design.

(56) **References Cited**

U.S. PATENT DOCUMENTS

- D644,256 S \* 8/2011 Kitano ..... D15/199
- D675,656 S \* 2/2013 Sutherland ..... D15/199
- D715,941 S \* 10/2014 Li ..... D24/158
- D723,026 S \* 2/2015 Birgeoglu ..... D14/307
- D725,166 S \* 3/2015 Paik ..... D15/199
- D735,258 S \* 7/2015 Jang ..... D15/199
- D760,671 S \* 7/2016 Chalabi ..... D14/125
- D766,644 S \* 9/2016 Huang ..... D15/199
- D776,651 S \* 1/2017 Yates ..... D14/307
- D778,276 S \* 2/2017 Berini ..... D14/307
- D799,473 S \* 10/2017 Brown ..... D14/307
- 9,776,327 B2 \* 10/2017 Pinter ..... B25J 9/1676
- D802,040 S \* 11/2017 Canoso ..... D15/199
- D810,820 S \* 2/2018 Hong ..... D18/53
- D811,458 S \* 2/2018 Wang ..... D15/199
- D813,281 S \* 3/2018 Kittmann ..... D15/199

**1 Claim, 6 Drawing Sheets**



(56)

**References Cited**

U.S. PATENT DOCUMENTS

2010/0010672 A1\* 1/2010 Wang ..... B25J 5/00  
700/259  
2016/0059408 A1\* 3/2016 Isobe ..... B25J 5/007  
700/253  
2016/0107317 A1\* 4/2016 Hashimoto ..... B25J 9/042  
414/744.2

\* cited by examiner

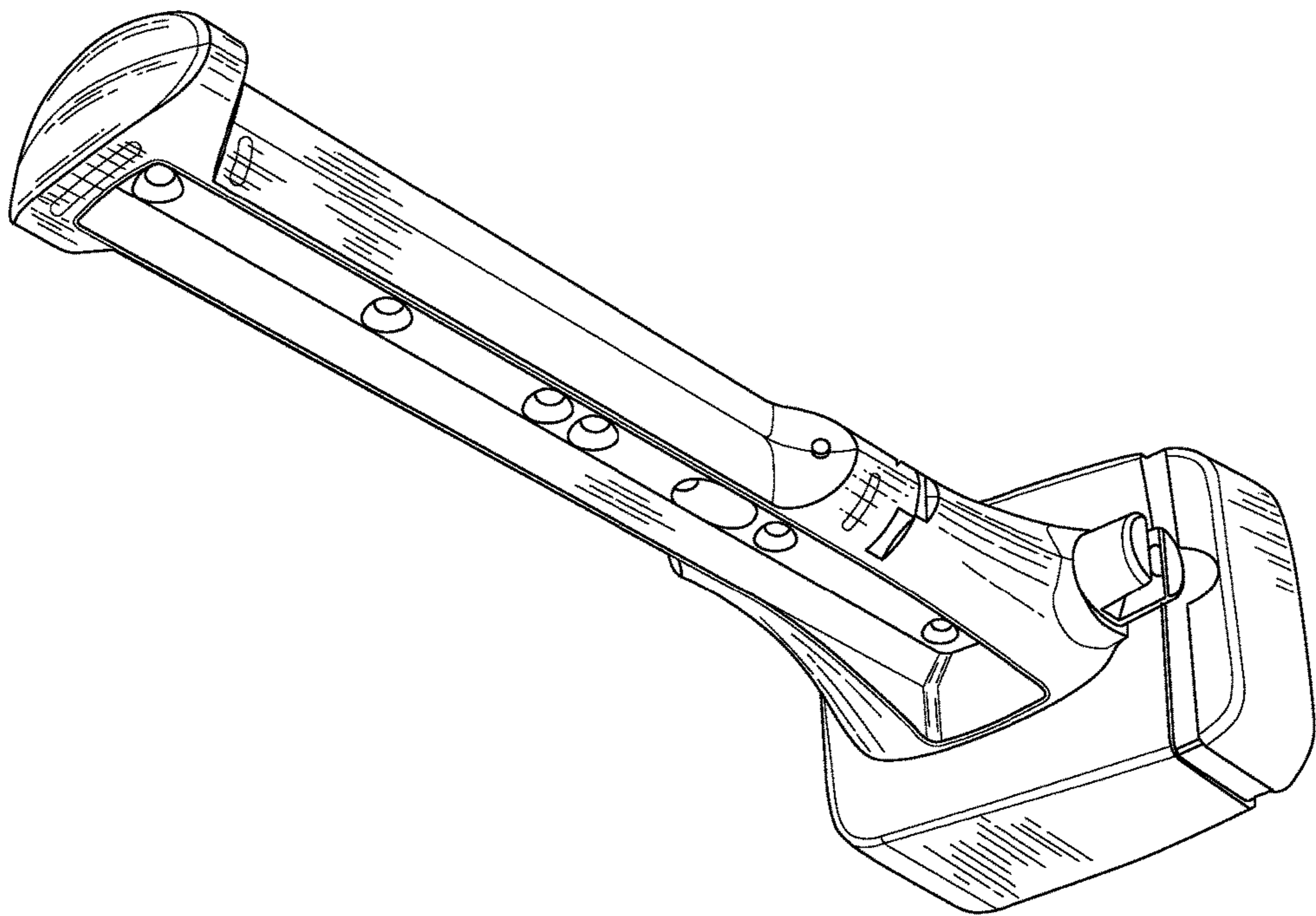


FIG. 1

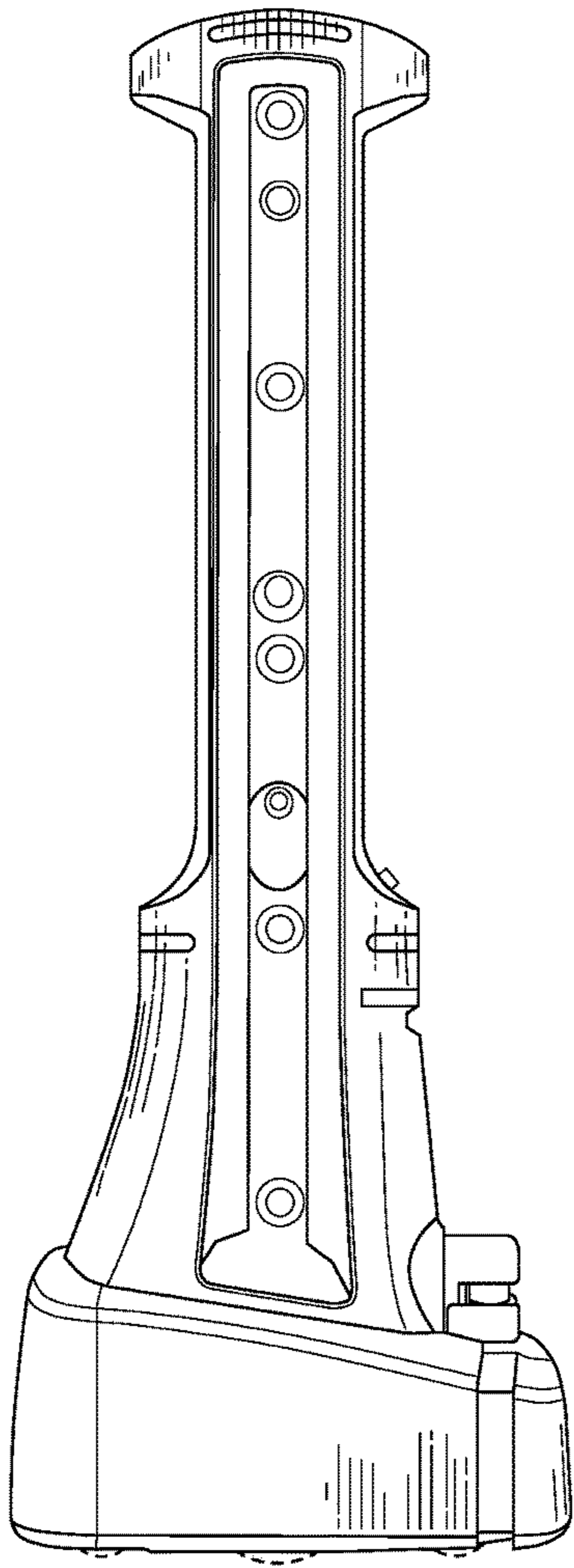


FIG. 2

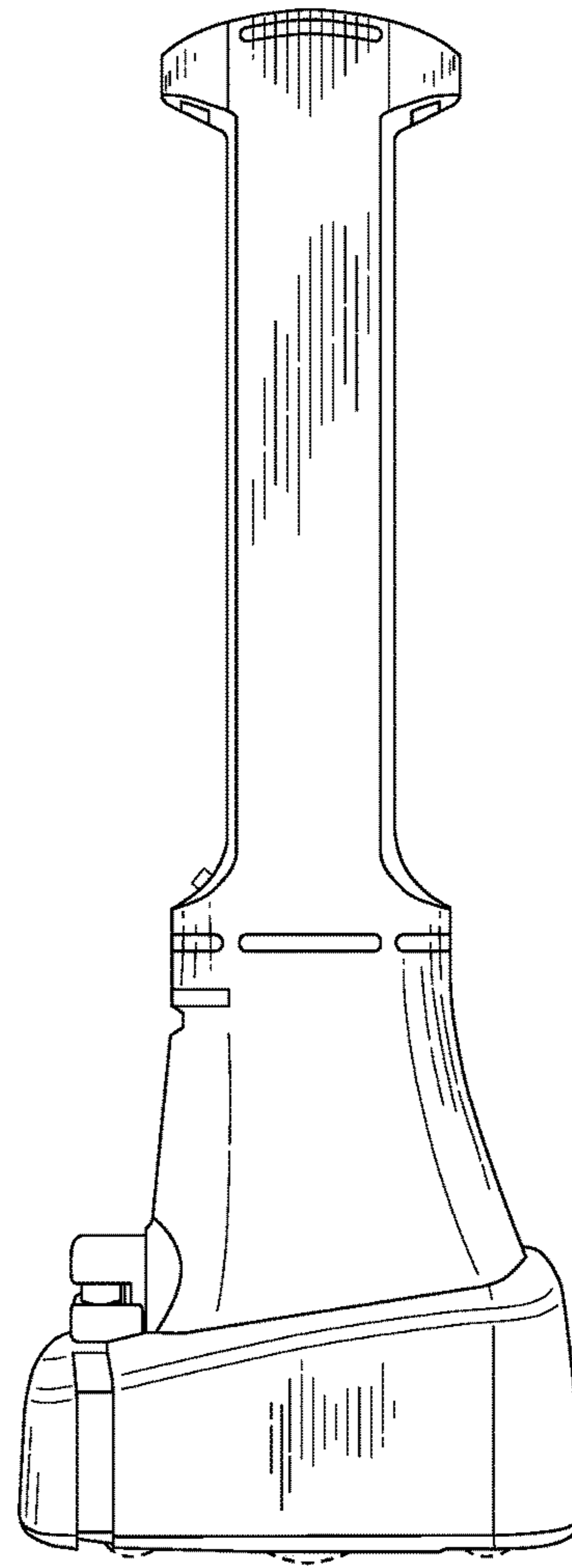


FIG. 3

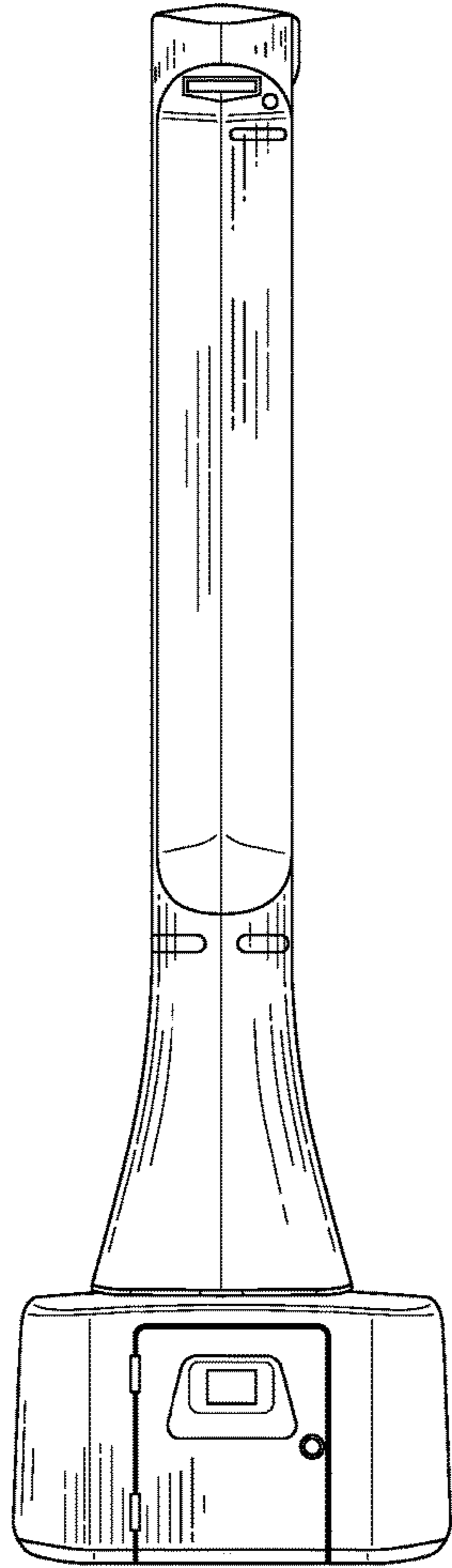


FIG. 4

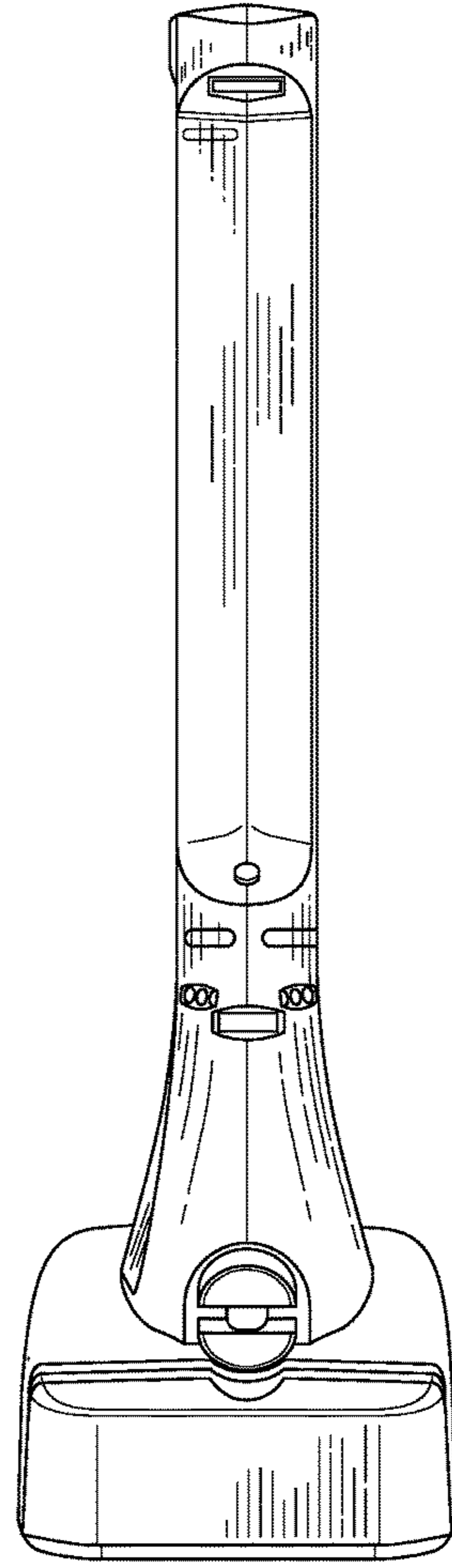


FIG. 5

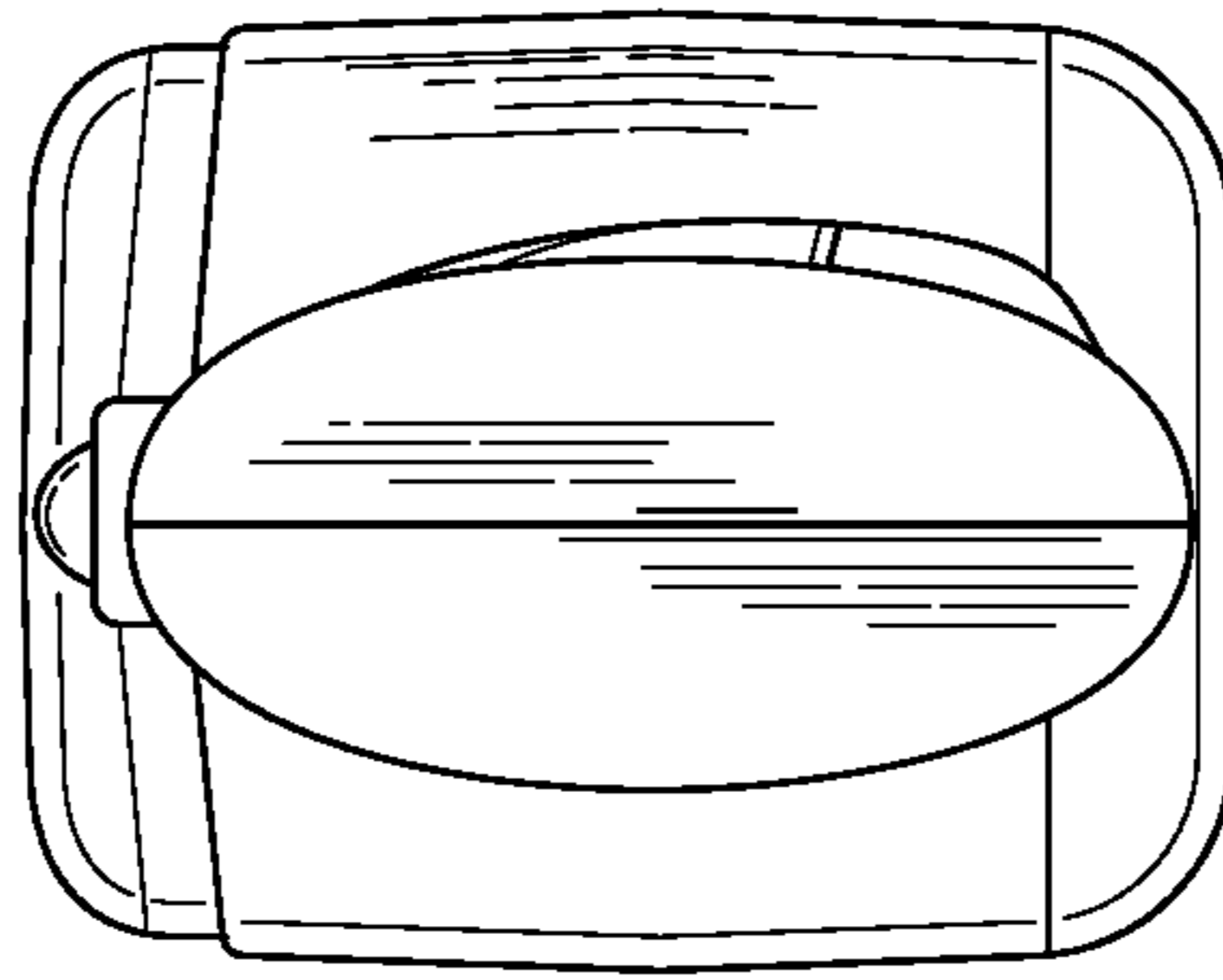


FIG.6



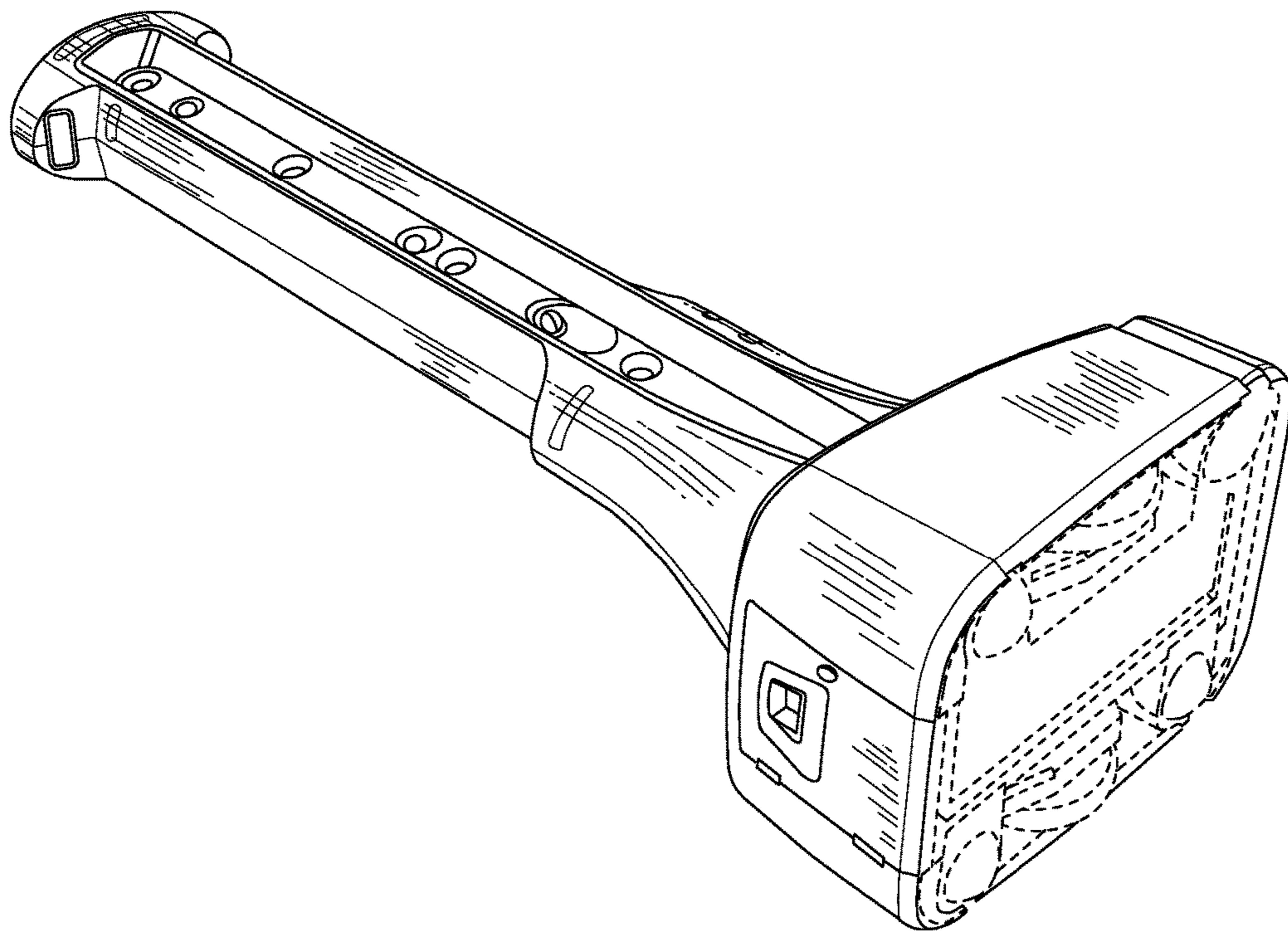


FIG. 7

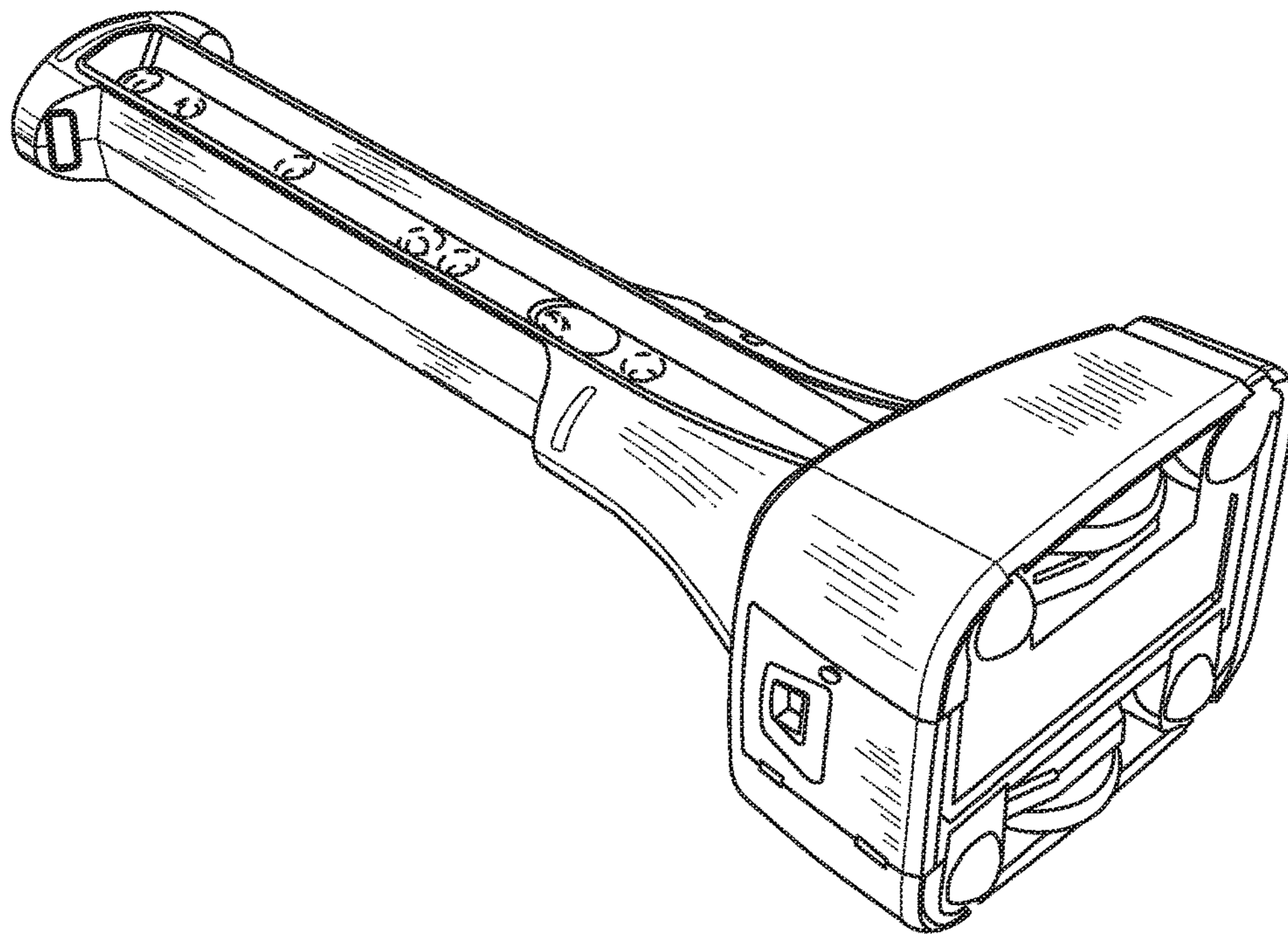


FIG. 8