



US00D857072S

(12) **United States Design Patent** (10) **Patent No.:** **US D857,072 S**  
**Cyrulik et al.** (45) **Date of Patent:** **\*\* Aug. 20, 2019**

(54) **AUTOMATED GUIDED VEHICLE**  
(71) Applicant: **Symbotic LLC**, Wilmington, MA (US)  
(72) Inventors: **Michael Cyrulik**, Sudbury, MA (US);  
**Michael Kapust**, Tewksbury, MA (US);  
**Todd E. Kepple**, Litchfield, NH (US)  
(73) Assignee: **Symbotic, LLC**, Wilmington, MA (US)  
(\*\*) Term: **15 Years**  
(21) Appl. No.: **29/621,320**  
(22) Filed: **Oct. 6, 2017**

**Related U.S. Application Data**

(63) Continuation-in-part of application No. 15/003,983,  
filed on Jan. 22, 2016, now Pat. No. 9,850,079.  
(51) **LOC (12) Cl.** ..... **15-99**  
(52) **U.S. Cl.**  
USPC ..... **D15/199**  
(58) **Field of Classification Search**  
USPC ..... D15/199; D21/578-583, 621, 622;  
D34/12, 16, 28, 29, 35  
(Continued)

(56) **References Cited**

**U.S. PATENT DOCUMENTS**

4,595,329 A 6/1986 Marques  
4,936,738 A 6/1990 Brennan et al.  
(Continued)

**FOREIGN PATENT DOCUMENTS**

AT 506221 7/2009  
CA 1252430 4/1989  
(Continued)

**OTHER PUBLICATIONS**

International Search Report, International Application No. PCT/  
US2016/014747, dated May 17, 2016.  
(Continued)

*Primary Examiner* — Patricia A Palasik  
(74) *Attorney, Agent, or Firm* — Perman & Green, LLP

(57) **CLAIM**

The ornamental design for an automated guided vehicle, as shown and described.

**DESCRIPTION**

This application is also related to U.S. patent application Ser. No. 14/966,978, filed on Dec. 11, 2015; U.S. patent application Ser. No. 14/997,902, filed on Jan. 18, 2016; U.S. patent application Ser. No. 14/997,925, filed on Jan. 18, 2016; U.S. patent application Ser. No. 14/997,920, filed on Jan. 18, 2016; and U.S. patent application Ser. No. 14/997,892, filed on Jan. 18, 2016, the disclosures of which are incorporated herein by reference in their entireties.

FIG. 1 is a front right perspective view of an automated guided vehicle in accordance with one form of the present invention;

FIG. 2 is a front left perspective view of the automated guided vehicle of FIG. 1;

FIG. 3 is a rear left perspective view of the automated guided vehicle of FIG. 1;

FIG. 4 is a top plan view of the automated guided vehicle of FIG. 1;

FIG. 5 is a right side elevation view of the automated guided vehicle of FIG. 1;

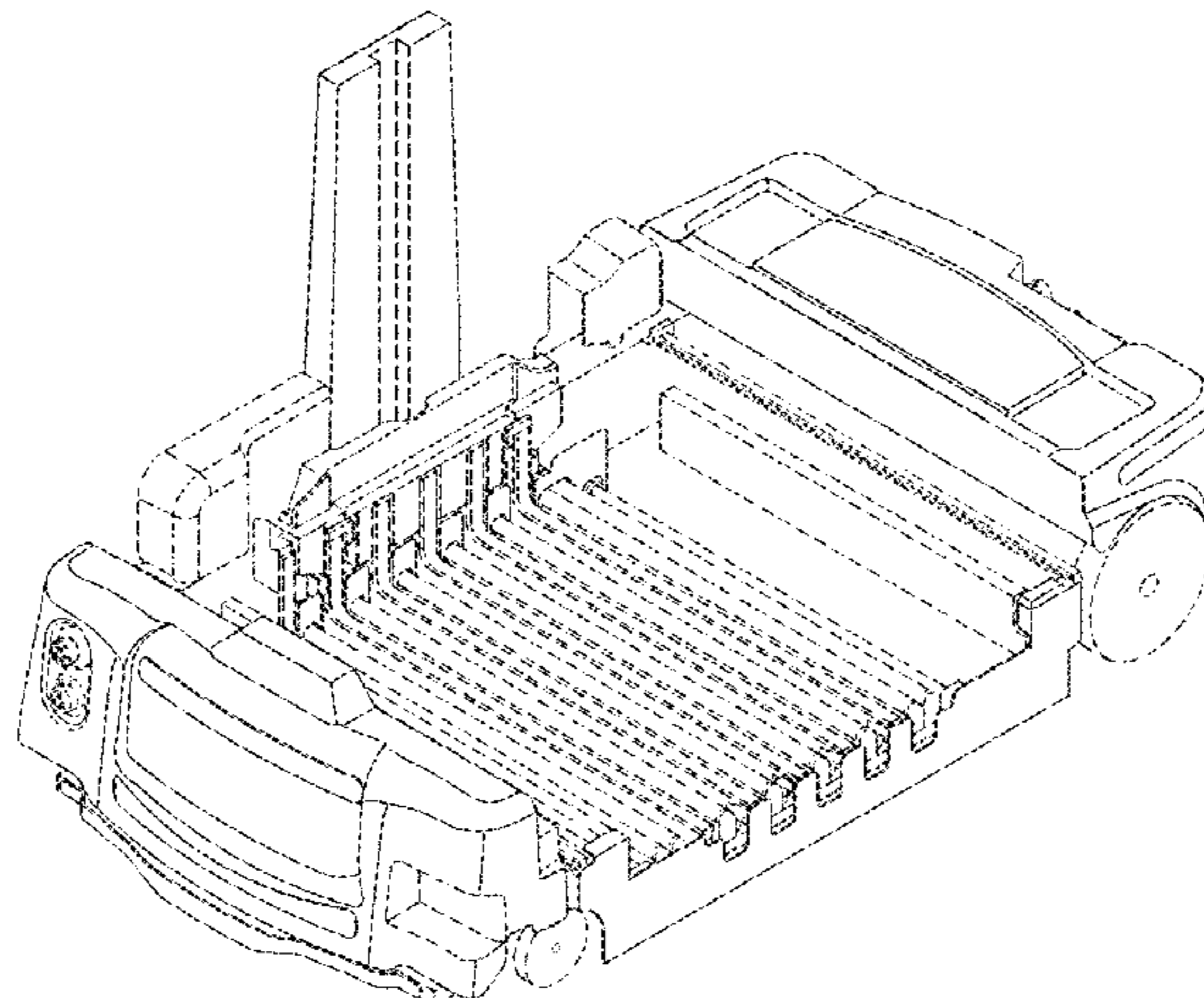
FIG. 6 is a front elevation view of the automated guided vehicle of FIG. 1;

FIG. 7 is a rear elevation view of the automated guided vehicle of FIG. 1; and,

FIG. 8 is a left side elevation view of the automated guided vehicle of FIG. 1.

The broken lines in the drawings depict portions of the automated guided vehicle which form no part of the claimed design.

**1 Claim, 8 Drawing Sheets**



(58) **Field of Classification Search**  
 CPC ... B25J 5/00; B25J 5/007; B25J 9/0006; B25J  
 19/0016; Y10S 901/01; Y10S 901/19;  
 Y10S 901/27  
 See application file for complete search history.

(56) **References Cited**

U.S. PATENT DOCUMENTS

5,154,249 A \* 10/1992 Yardley ..... B60D 1/06  
 180/168  
 5,380,139 A 1/1995 Pohjonen et al.  
 6,019,563 A \* 2/2000 Murata ..... B23Q 7/1436  
 414/222.01  
 6,923,612 B2 8/2005 Hansl  
 7,931,431 B2 4/2011 Benedict et al.  
 8,425,173 B2 4/2013 Lert  
 8,480,347 B2 7/2013 Schafer  
 8,594,835 B2 11/2013 Lert et al.  
 8,596,952 B2 12/2013 Wolkerstorfer  
 8,740,542 B2 6/2014 Wolkerstorfer  
 8,790,061 B2 7/2014 Yamashita  
 8,894,344 B2 11/2014 Merry et al.  
 8,954,188 B2 2/2015 Sullivan et al.  
 8,956,099 B2 2/2015 Olszak  
 8,974,168 B2 3/2015 Yamashita  
 9,008,884 B2 4/2015 Toebes  
 9,037,286 B2 5/2015 Lert  
 D741,609 S \* 10/2015 Williams ..... D6/338  
 9,315,323 B2 4/2016 Schubiiske  
 9,321,591 B2 4/2016 Lert  
 9,409,728 B2 8/2016 Bastian  
 10,202,061 B2 \* 2/2019 Scherle ..... B66F 9/063  
 2004/0042885 A1 \* 3/2004 Rokkaku ..... B60L 15/38  
 414/529  
 2004/0197171 A1 10/2004 Freudelsperger  
 2006/0245862 A1 11/2006 Hansl et al.  
 2007/0276541 A1 \* 11/2007 Sawasaki ..... G05D 1/0246  
 700/253  
 2008/0131241 A1 6/2008 King  
 2009/0074545 A1 \* 3/2009 Lert, Jr. .... B65G 1/0492  
 414/276  
 2010/0230196 A1 \* 9/2010 Nishimura ..... B60L 8/003  
 180/165  
 2010/0272546 A1 10/2010 Wolkerstorfer  
 2010/0316468 A1 \* 12/2010 Lert ..... B65G 1/045  
 414/273  
 2010/0316469 A1 \* 12/2010 Lert ..... B65G 1/045  
 414/273  
 2011/0106352 A1 \* 5/2011 Scheuerman ..... G05D 1/0242  
 701/22  
 2012/0141236 A1 6/2012 Korner  
 2012/0185082 A1 \* 7/2012 Toebes ..... B65G 1/0492  
 700/218  
 2012/0185122 A1 \* 7/2012 Sullivan ..... G05D 1/0272  
 701/23  
 2012/0189409 A1 \* 7/2012 Toebes ..... B65G 1/0492  
 414/273  
 2012/0189410 A1 \* 7/2012 Toebes ..... B65G 1/0492  
 414/273

2012/0189416 A1 \* 7/2012 Toebes ..... B65G 1/0492  
 414/509  
 2012/0195720 A1 \* 8/2012 Sullivan ..... B65G 1/04  
 414/277  
 2012/0195724 A1 \* 8/2012 Toebes ..... B65G 13/00  
 414/509  
 2012/0197431 A1 \* 8/2012 Toebes ..... B65G 1/0492  
 700/217  
 2012/0330458 A1 12/2012 Weiss  
 2013/0129453 A1 5/2013 Salichs et al.  
 2013/0209202 A1 8/2013 Schmit  
 2013/0245810 A1 \* 9/2013 Sullivan ..... G06Q 10/08  
 700/214  
 2014/0044506 A1 2/2014 De Vries  
 2014/0056672 A1 2/2014 Mathys  
 2014/0088748 A1 3/2014 Woodtli et al.  
 2014/0100999 A1 4/2014 Mountz  
 2014/0124462 A1 5/2014 Yamashita  
 2014/0277692 A1 9/2014 Buzan et al.  
 2014/0308098 A1 \* 10/2014 Lert ..... B65G 1/0492  
 414/281  
 2014/0350717 A1 11/2014 Dagle  
 2015/0098775 A1 4/2015 Razumov  
 2015/0203296 A1 \* 7/2015 Buzan ..... B65G 1/0492  
 700/218  
 2015/0225187 A1 8/2015 Razumov  
 2015/0243949 A1 \* 8/2015 Fukui ..... H01M 2/1083  
 429/93  
 2016/0016731 A1 1/2016 Razumov  
 2016/0167880 A1 \* 6/2016 Pankratov ..... B65G 1/0492  
 414/281  
 2016/0207709 A1 7/2016 Pankratov  
 2016/0207710 A1 \* 7/2016 Conrad ..... B65G 1/0485  
 2016/0207711 A1 7/2016 Pankratov  
 2016/0214797 A1 7/2016 Pankratov et al.  
 2016/0214808 A1 \* 7/2016 Cyrulik ..... B65G 1/1373  
 2017/0144502 A1 \* 5/2017 Bae ..... B62D 61/12  
 2017/0182924 A1 \* 6/2017 Lendo ..... B60L 53/16  
 2018/0072212 A1 \* 3/2018 Alfaro ..... B60G 3/08  
 2018/0099811 A1 \* 4/2018 Shen ..... B65G 1/0492

FOREIGN PATENT DOCUMENTS

DE	2011106677	1/2013
EP	D169156	1/1986
GB	2407565	5/2005
WO	2004103883	12/2004
WO	2009150684	12/2009
WO	2012156355	11/2012
WO	2014145450	9/2014

OTHER PUBLICATIONS

International Search Report, International Application No. PCT/  
 US2015/065574, dated Feb. 12, 2016.  
 International Search Report, International Application No. PCT/  
 US2016/013877, dated May 11, 2016.  
 International Search Report, International Application No. PCT/  
 US2016/013917, dated Jul. 12, 2016.

\* cited by examiner



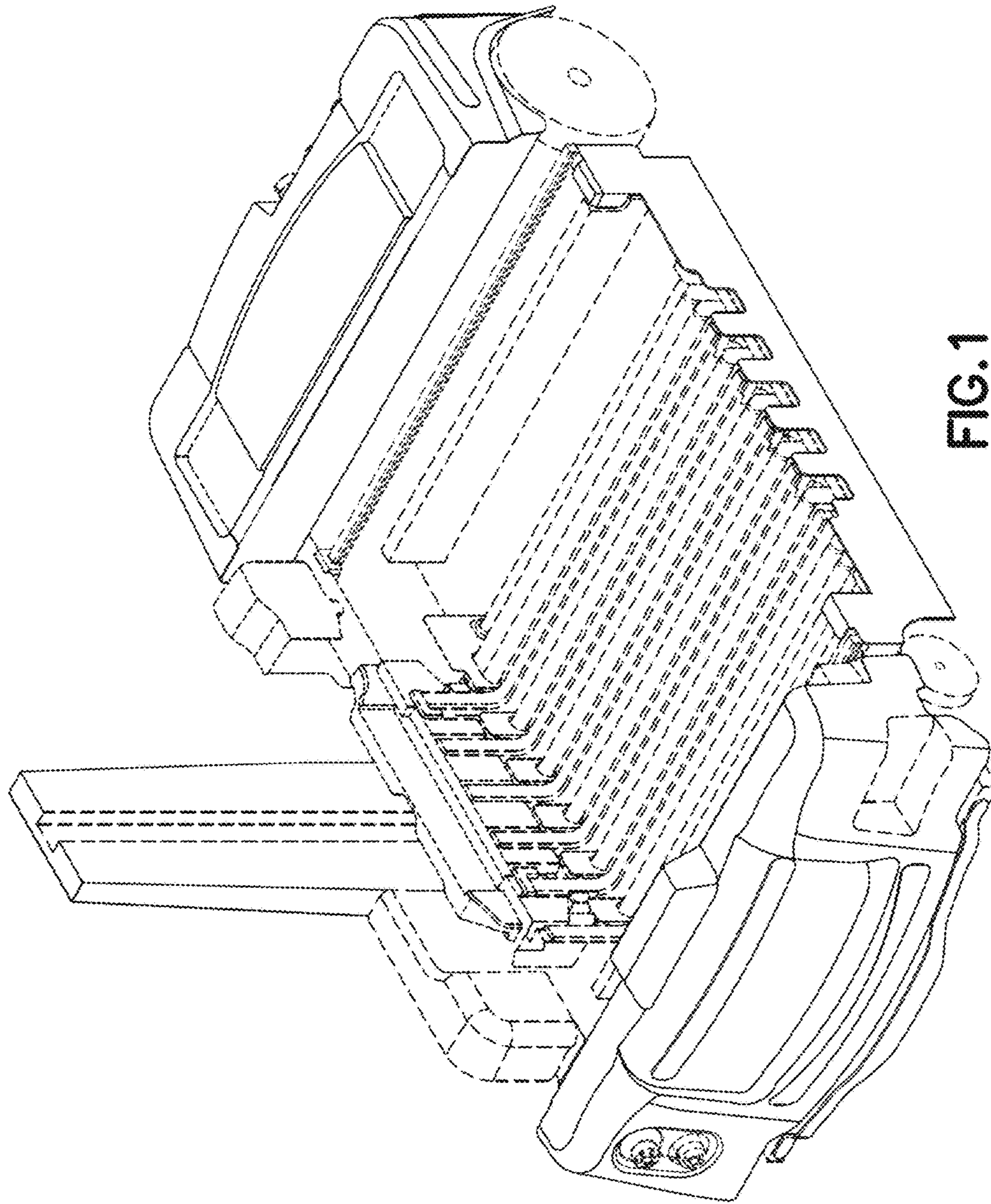


FIG. 1

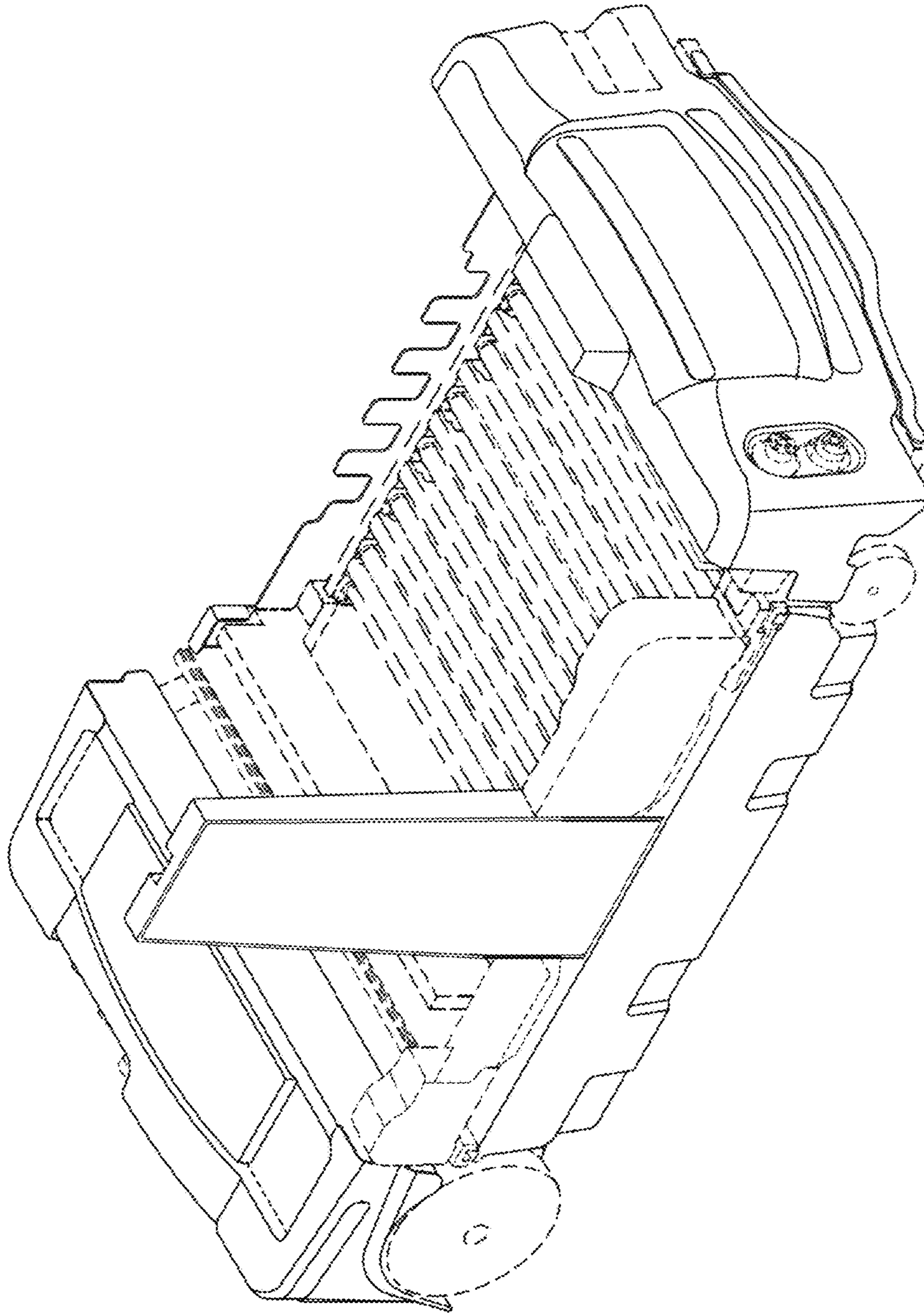


FIG.2

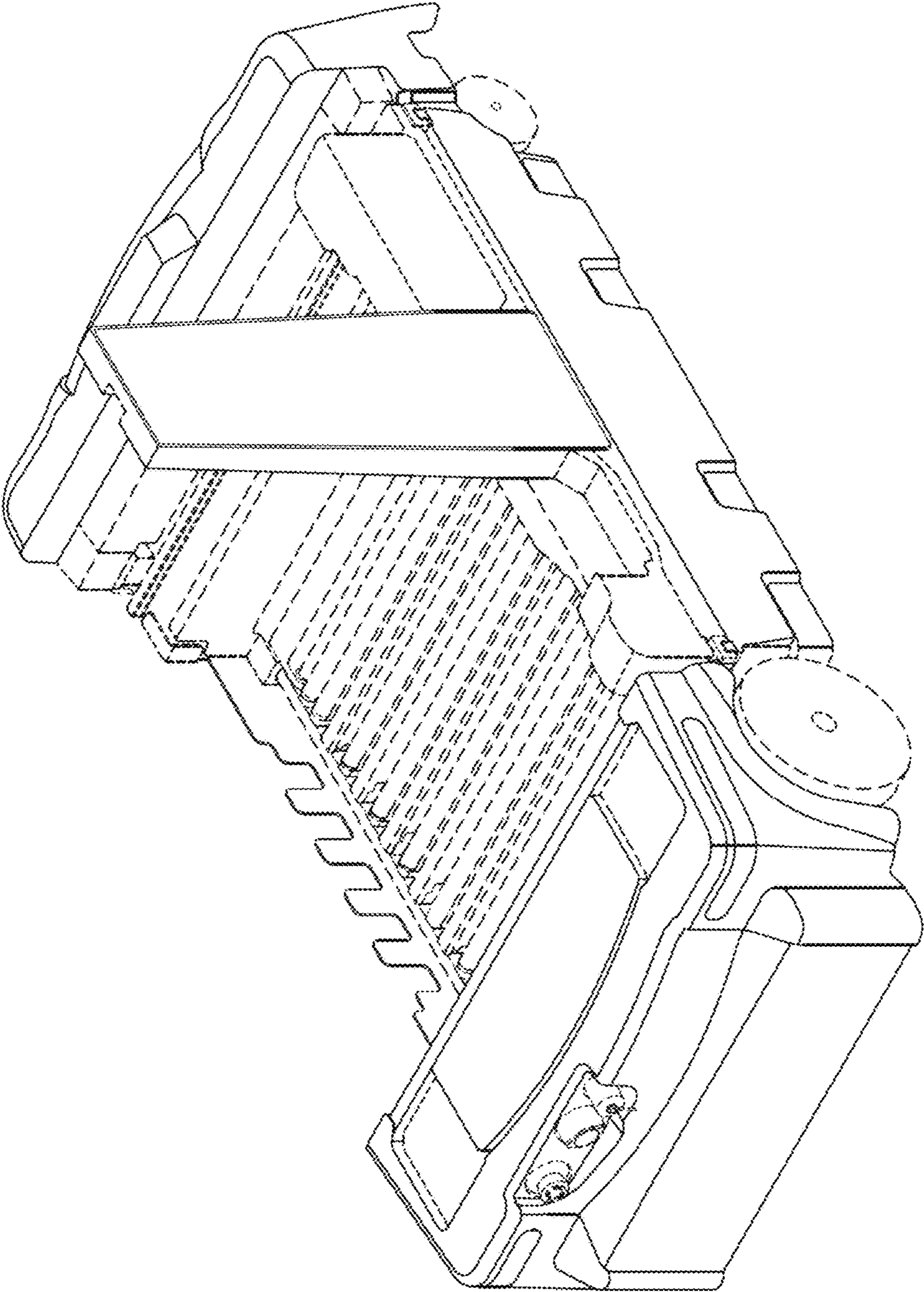


FIG.3



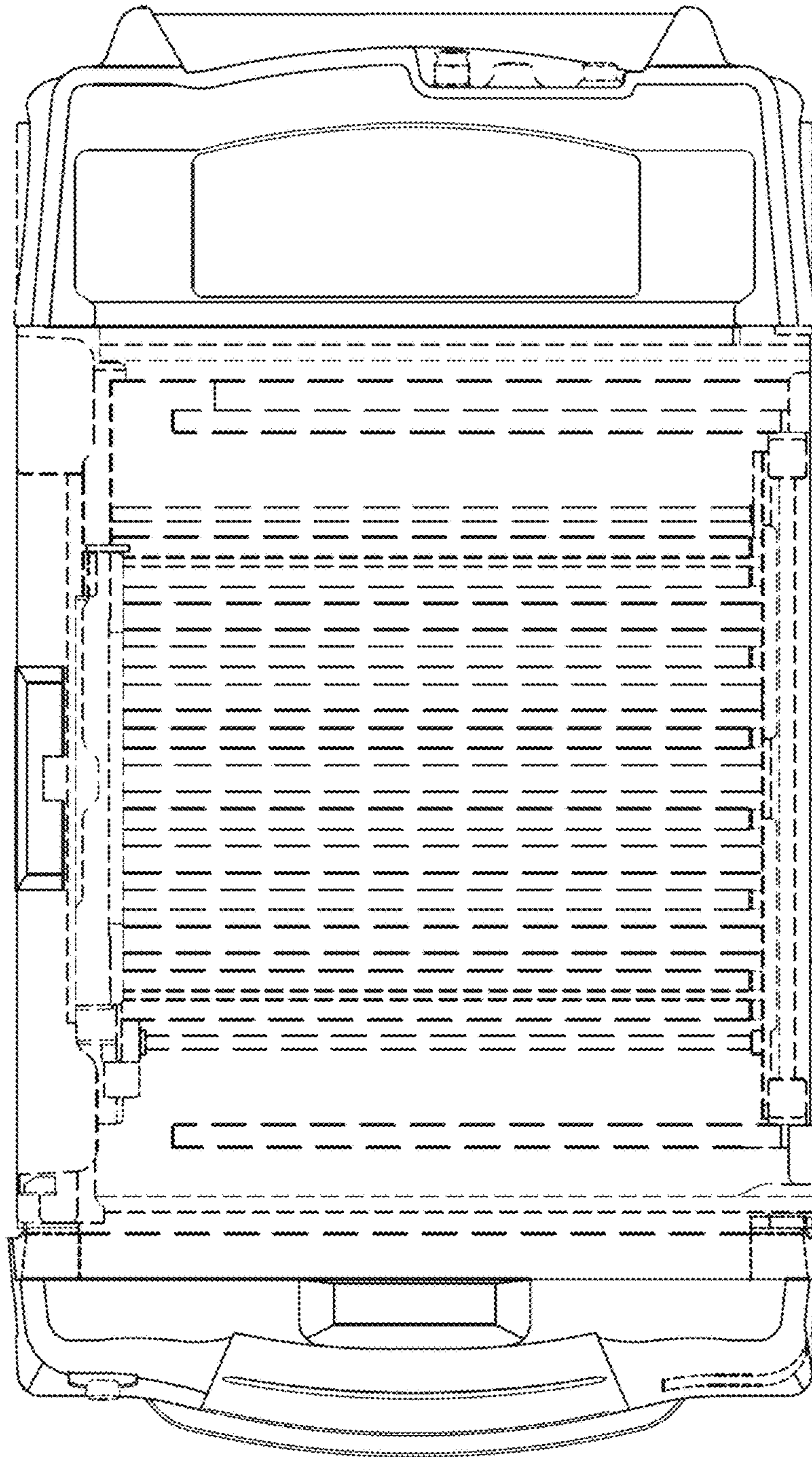


FIG.4

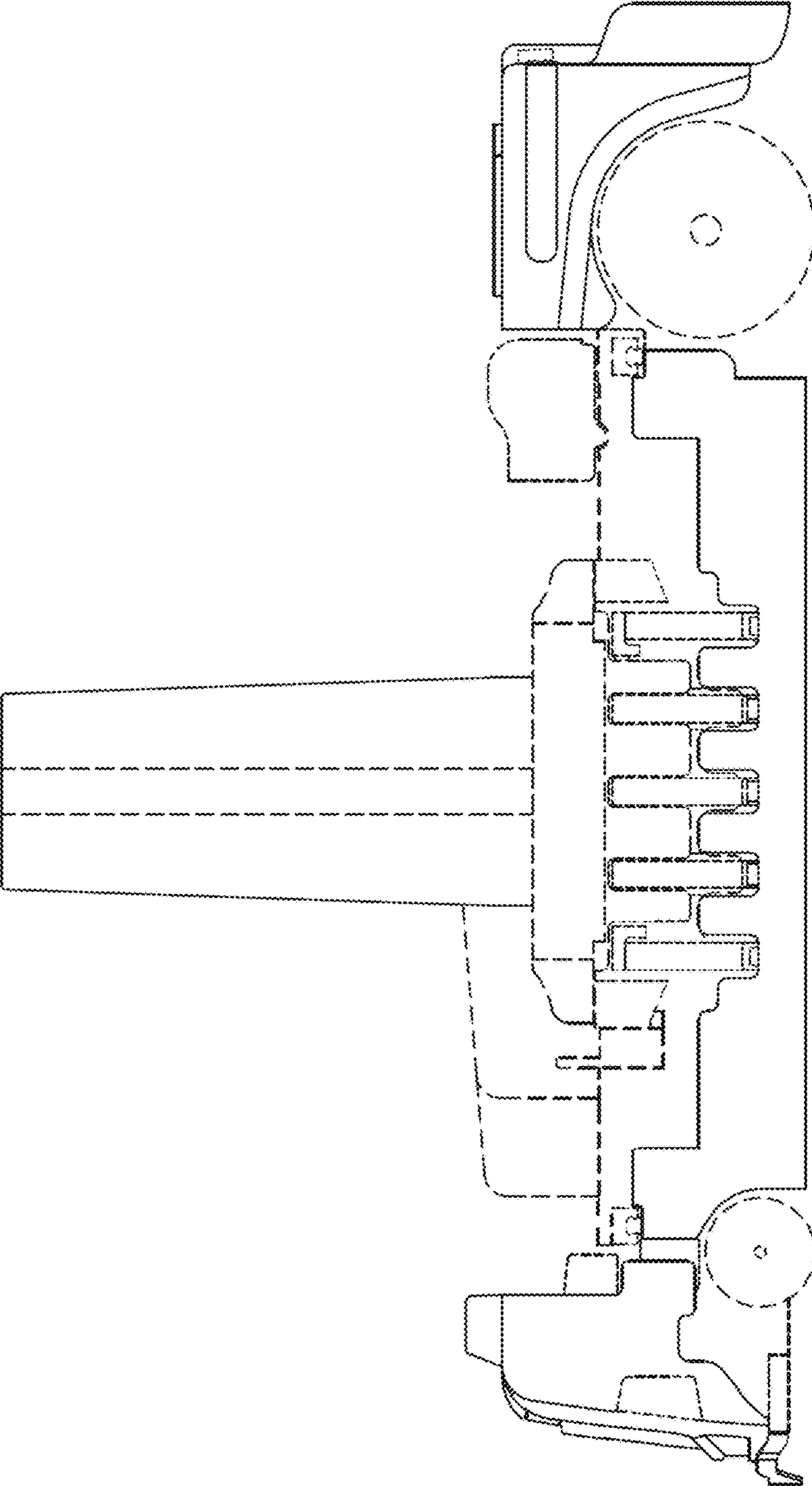


FIG.5

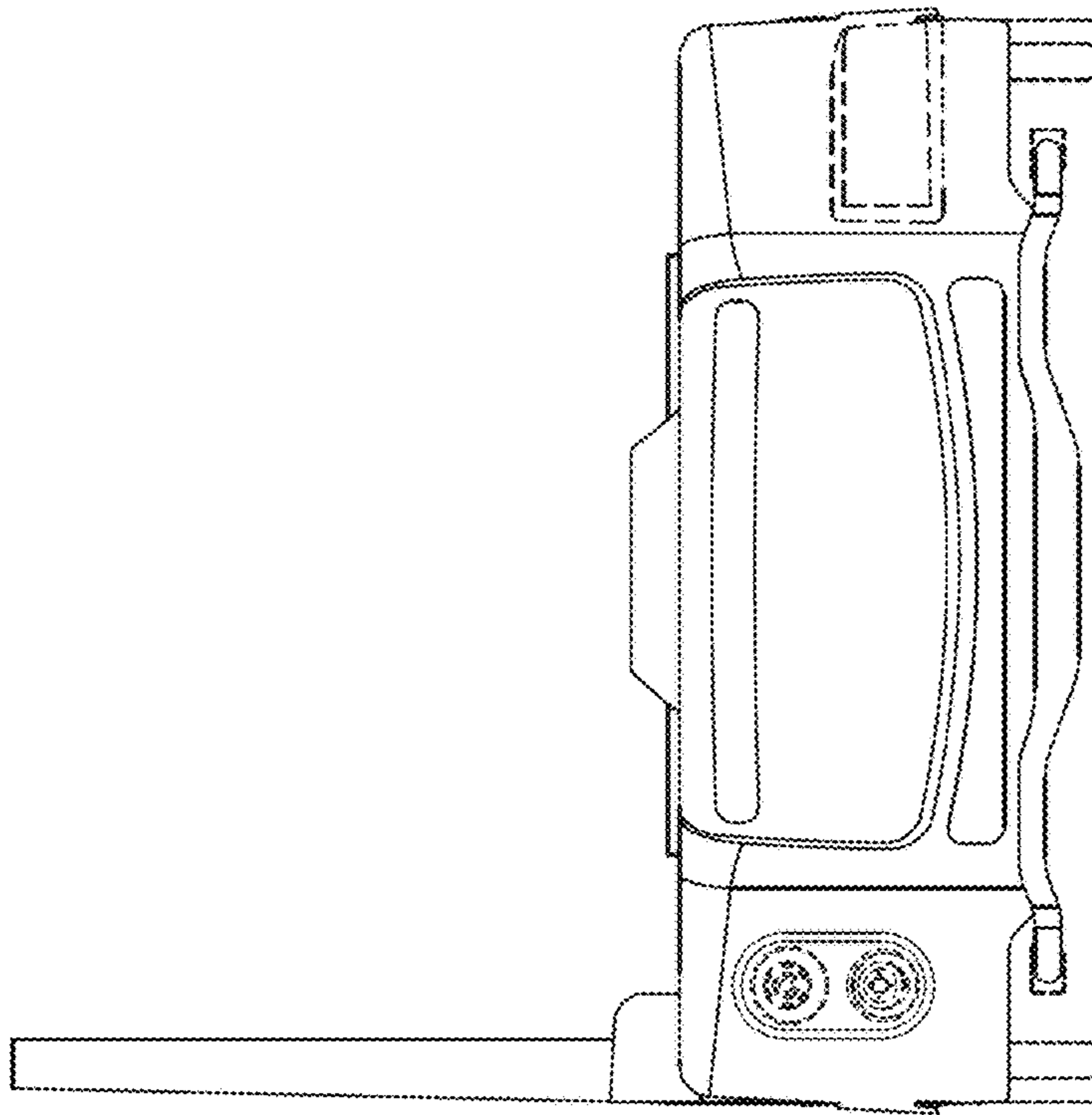


FIG.6



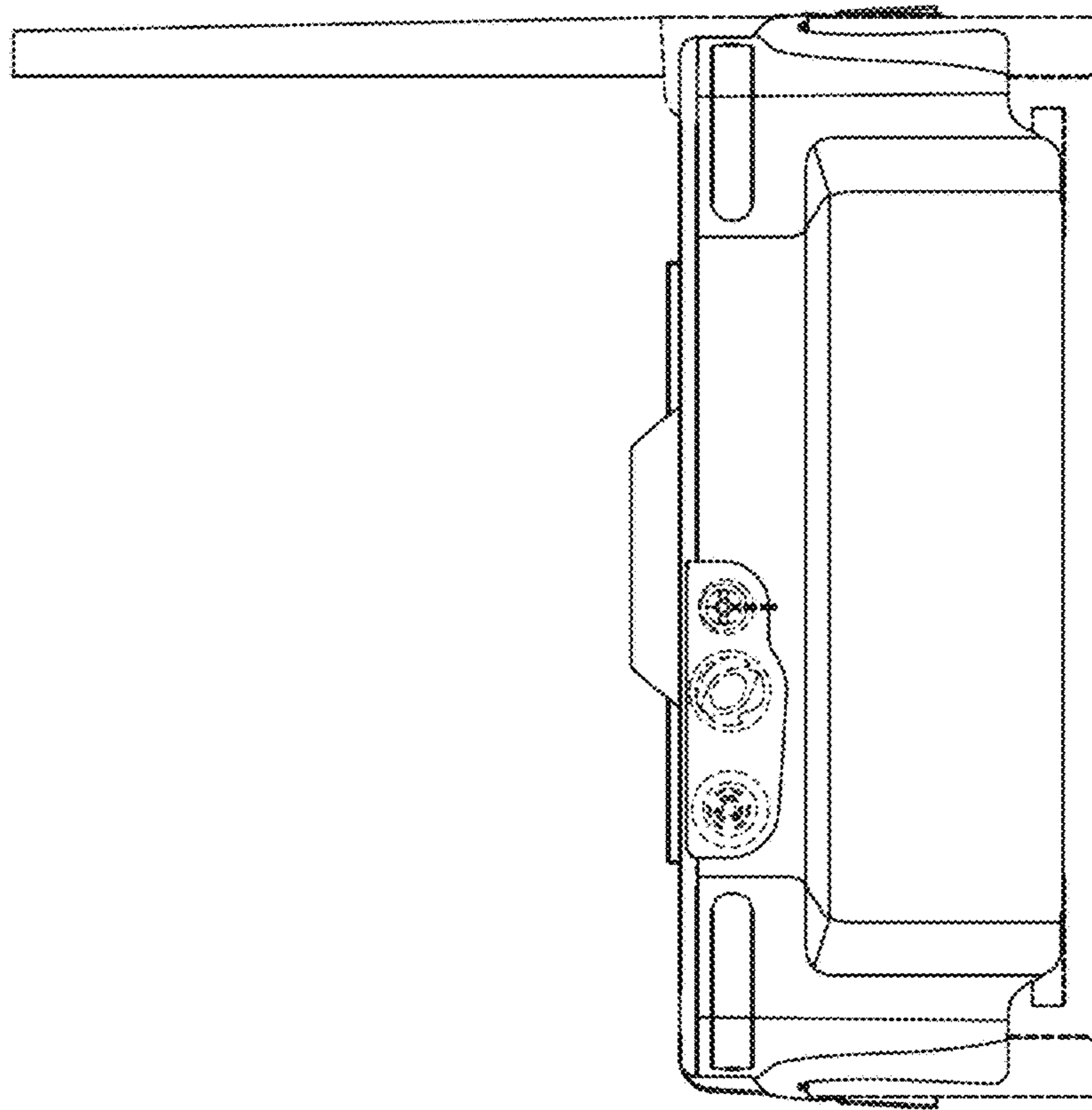


FIG.7

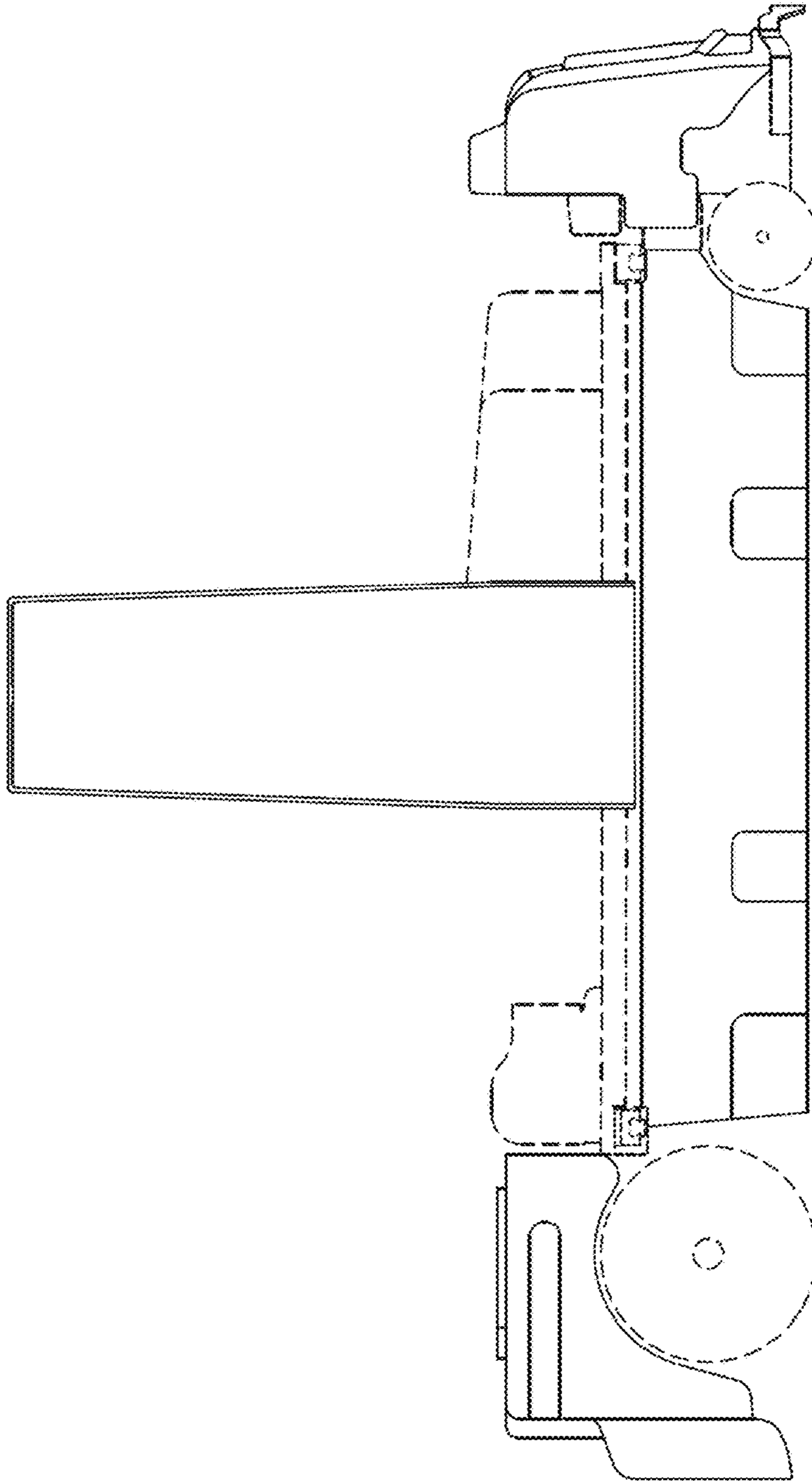


FIG. 8