



US00D857071S

(12) **United States Design Patent**
Grimm et al.

(10) **Patent No.:** **US D857,071 S**

(45) **Date of Patent:** **** Aug. 20, 2019**

- (54) **HYDROCYCLONE INLET HEAD**
- (71) Applicant: **Superior Industries, Inc.**, Morris, MN (US)
- (72) Inventors: **Lafe Grimm**, Morris, MN (US); **Shane Hanson**, Columbus, NE (US); **Paul Hlott**, Tyler, TX (US)
- (73) Assignee: **Superior Industries, Inc.**, Morris, MN (US)
- (**) Term: **15 Years**
- (21) Appl. No.: **29/591,840**
- (22) Filed: **Jan. 24, 2017**
- (51) **LOC (12) Cl.** **15-07**
- (52) **U.S. Cl.**
USPC **D15/147**
- (58) **Field of Classification Search**
USPC D15/138, 147; D32/1, 25
CPC B04C 5/00; B04C 5/04; B04C 5/12; B04C 5/13; B04C 5/26; B04C 5/28; B04C 11/00
See application file for complete search history.

- 6,109,451 A * 8/2000 Grimes B04C 3/00 209/725
 - D456,429 S * 4/2002 Rogers D15/147
 - D464,067 S * 10/2002 Rogers D15/147
- (Continued)

OTHER PUBLICATIONS

Krebs gMax Hydrocyclones; brochure; 2016; pp. 1-4; FLSmidth Krebs; Arizona, USA.
(Continued)

Primary Examiner — Patricia A Palasik
(74) *Attorney, Agent, or Firm* — Todd R. Fronck; Larkin Hoffman Daly & Lindgren, Ltd.

(57) **CLAIM**

The ornamental design for a hydrocyclone inlet head, as shown and described.

DESCRIPTION

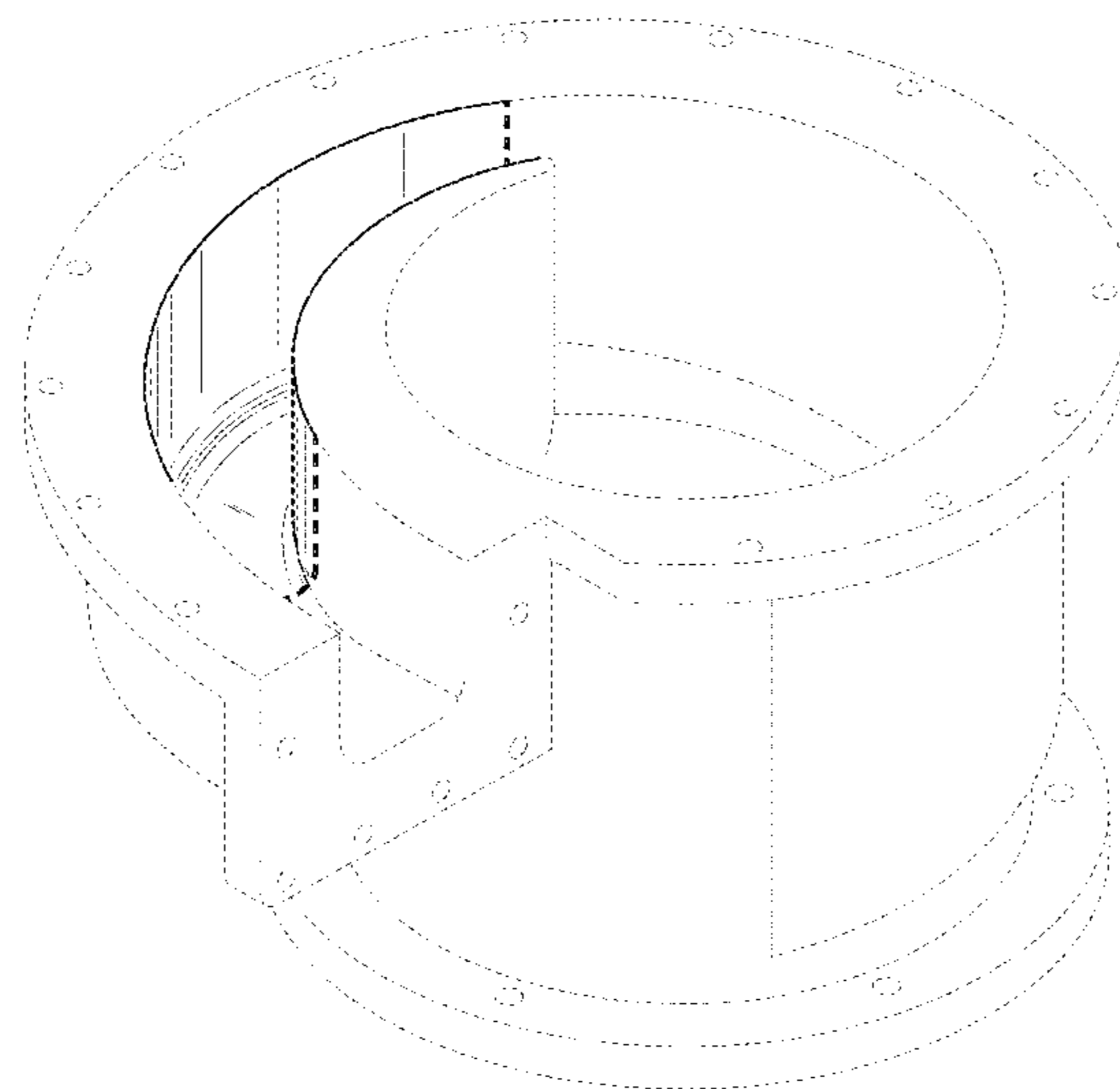
FIG. 1 is a perspective view of a hydrocyclone inlet head showing our new design;
 FIG. 2 is a front elevation view thereof;
 FIG. 3 is a rear elevation view thereof;
 FIG. 4 is a left elevation view thereof;
 FIG. 5 is a right elevation view thereof;
 FIG. 6 is a plan view thereof;
 FIG. 7 is a bottom view thereof;
 FIG. 8 is a cross-sectional view thereof taken along the line 8-8 shown in FIG. 6;
 FIG. 9 is a cross-sectional view thereof taken along the line 8-8 shown in FIG. 6; and,
 FIG. 10 is a cross-sectional view thereof taken along the line 8-8 shown in FIG. 6.
 The thin broken lines shown in the drawings illustrate portions of the hydrocyclone inlet depict unclaimed environmental subject matter.
 The thick broken lines shown in FIGS. 1, 2, and 6 depict the boundaries of the claimed design and form no part thereof.

(56) **References Cited**

U.S. PATENT DOCUMENTS

- 3,385,437 A * 5/1968 Woodruff B04C 5/04 209/734
- 4,652,363 A * 3/1987 Miller B04C 5/02 209/734
- D294,363 S * 2/1988 Donhauser D15/147
- D303,672 S * 9/1989 Stienen D15/147
- 5,651,466 A * 7/1997 Satomi B04C 5/02 209/734
- D414,789 S * 10/1999 Rogers D15/147
- D415,181 S * 10/1999 Rogers D15/147
- D415,182 S * 10/1999 Rogers D15/147
- D415,507 S * 10/1999 Rogers D15/147

1 Claim, 8 Drawing Sheets



(56)

References Cited

U.S. PATENT DOCUMENTS

7,255,790 B2 * 8/2007 Rogers B04C 5/12
209/715
7,347,332 B2 * 3/2008 Hakola B04C 5/085
209/159
7,404,491 B2 * 7/2008 Hakola B01D 45/12
209/715
D612,878 S * 3/2010 Meter D15/147
8,104,622 B2 * 1/2012 Soto B04C 5/13
209/732
D654,105 S * 2/2012 Schneider D15/147
D658,695 S * 5/2012 Schneider D15/147
D663,082 S * 7/2012 Gabrielsson D32/1
D744,707 S * 12/2015 Becker D32/25
D807,414 S * 1/2018 Maguire D15/135
2003/0222003 A1 * 12/2003 Girdler B04C 5/28
209/721
2004/0108256 A1 * 6/2004 Hoffmann B04C 5/103
209/715
2005/0077234 A1 * 4/2005 Yoshida B04C 5/04
210/512.1
2009/0071880 A1 * 3/2009 Castro Soto B04C 5/04
209/606
2016/0353954 A1 * 12/2016 Kleine-Doepke A47L 9/1658
2017/0173598 A1 * 6/2017 Sutherland B03B 5/34

2017/0209875 A1 * 7/2017 MacLean A47L 9/1608
2017/0232454 A1 * 8/2017 Irvin, Sr. B04C 5/081
210/512.1
2017/0312764 A1 * 11/2017 Robert B04C 5/04
2017/0320070 A1 * 11/2017 Bovensiep B04C 5/103
2017/0361338 A1 * 12/2017 Ni B04C 5/26
2018/0085761 A1 * 3/2018 Dressler B04C 5/04

OTHER PUBLICATIONS

Krebs gMax Cyclones for Finer Separations With Larger Diameter Cyclones; paper; Aug. 2000, pp. 1-7; FLSmidth Krebs; Arizona, USA.
Krebs Installation-Operation-Maintenance Manual; model D26B-1085 Krebs Cyclone manual; 1999; pp. 1-6; Krebs Engineers; Arizona, USA.
Separators; brochure; Sep. 2014, pp. 1-4; Mclanahan Corporation; Pennsylvania, USA.
Cavex Hydrocyclones—CVXT Tile Lined Hydrocyclones, technical specifications brochure; 2016; pp. 1-2; Weir Minerals Australia Ltd.; Australia.
Cavex Hydrocyclones—G4 Hydrocyclones; technical specifications brochure; 2016; pp. 1-2; Weir Minerals Australia Ltd.; Australia.

* cited by examiner

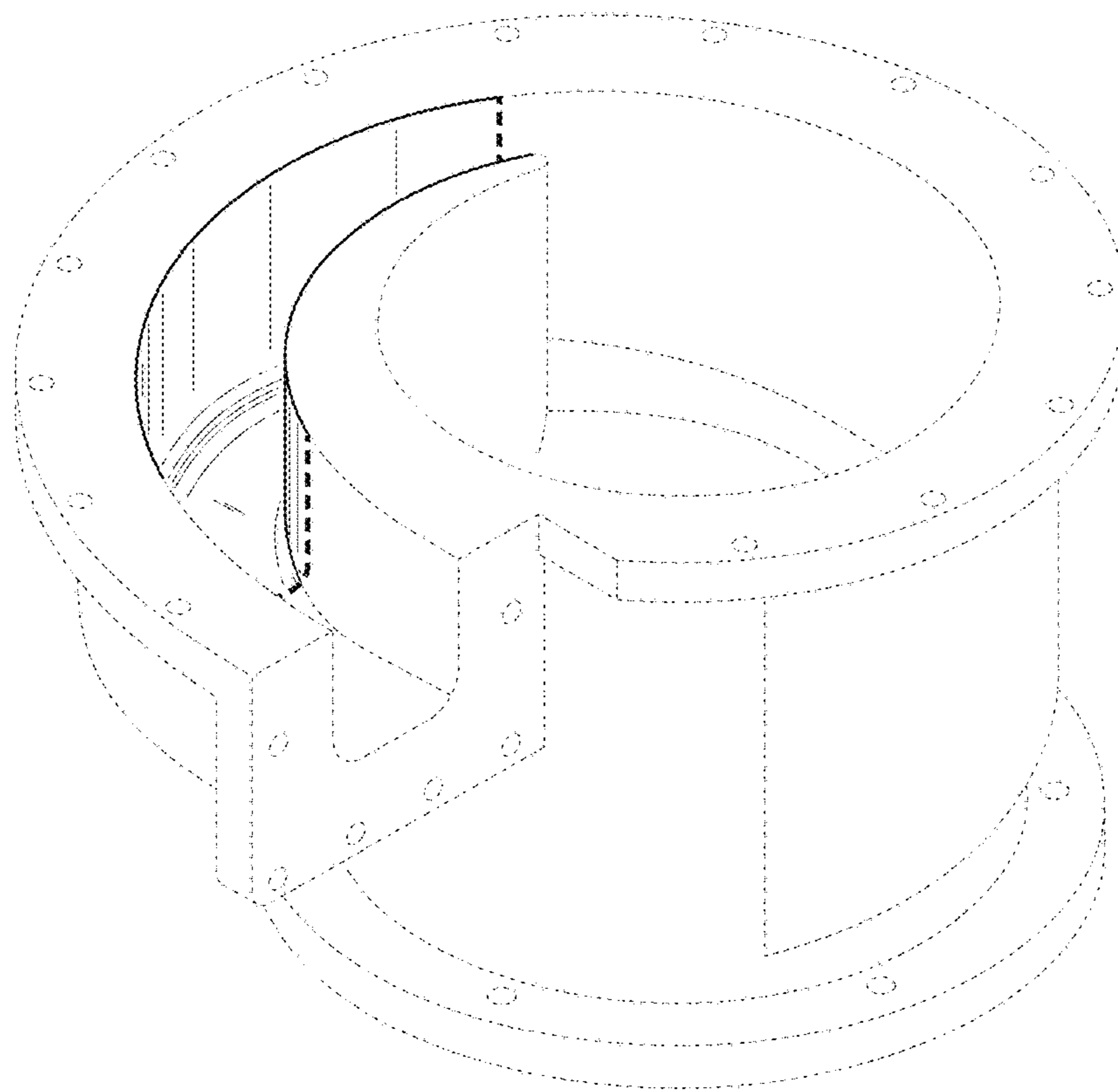


Fig. 1

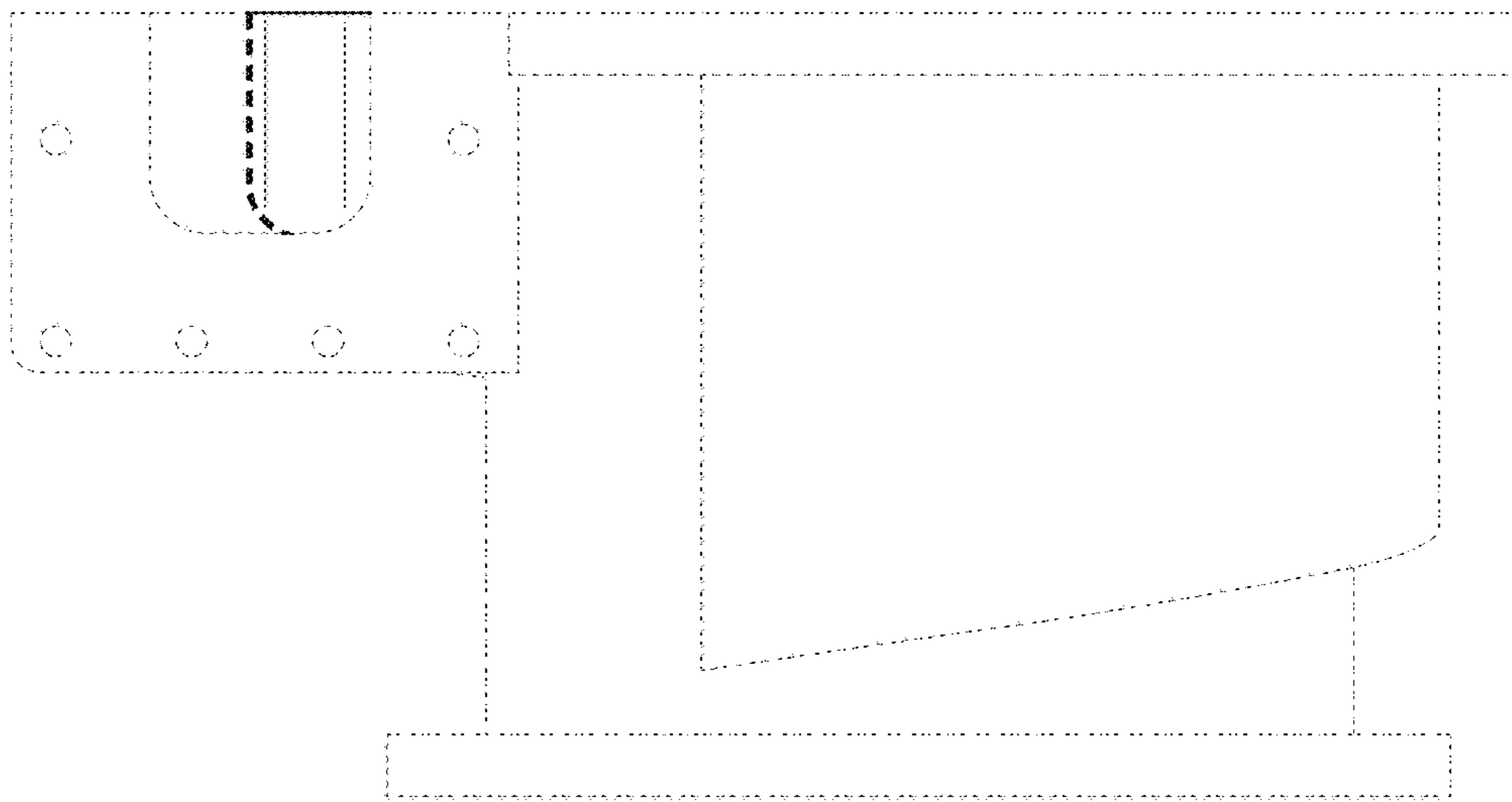


Fig. 2

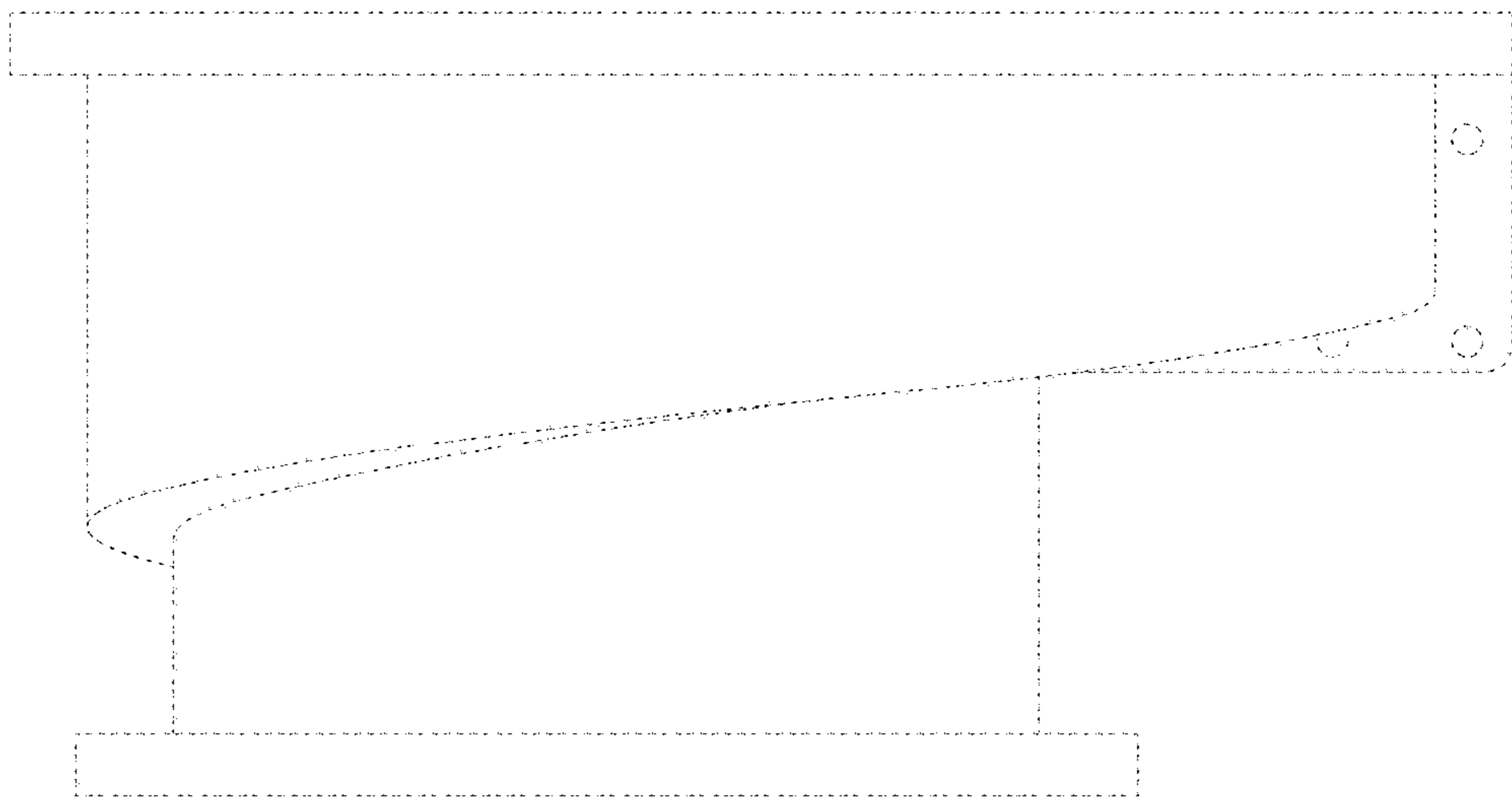


Fig. 3

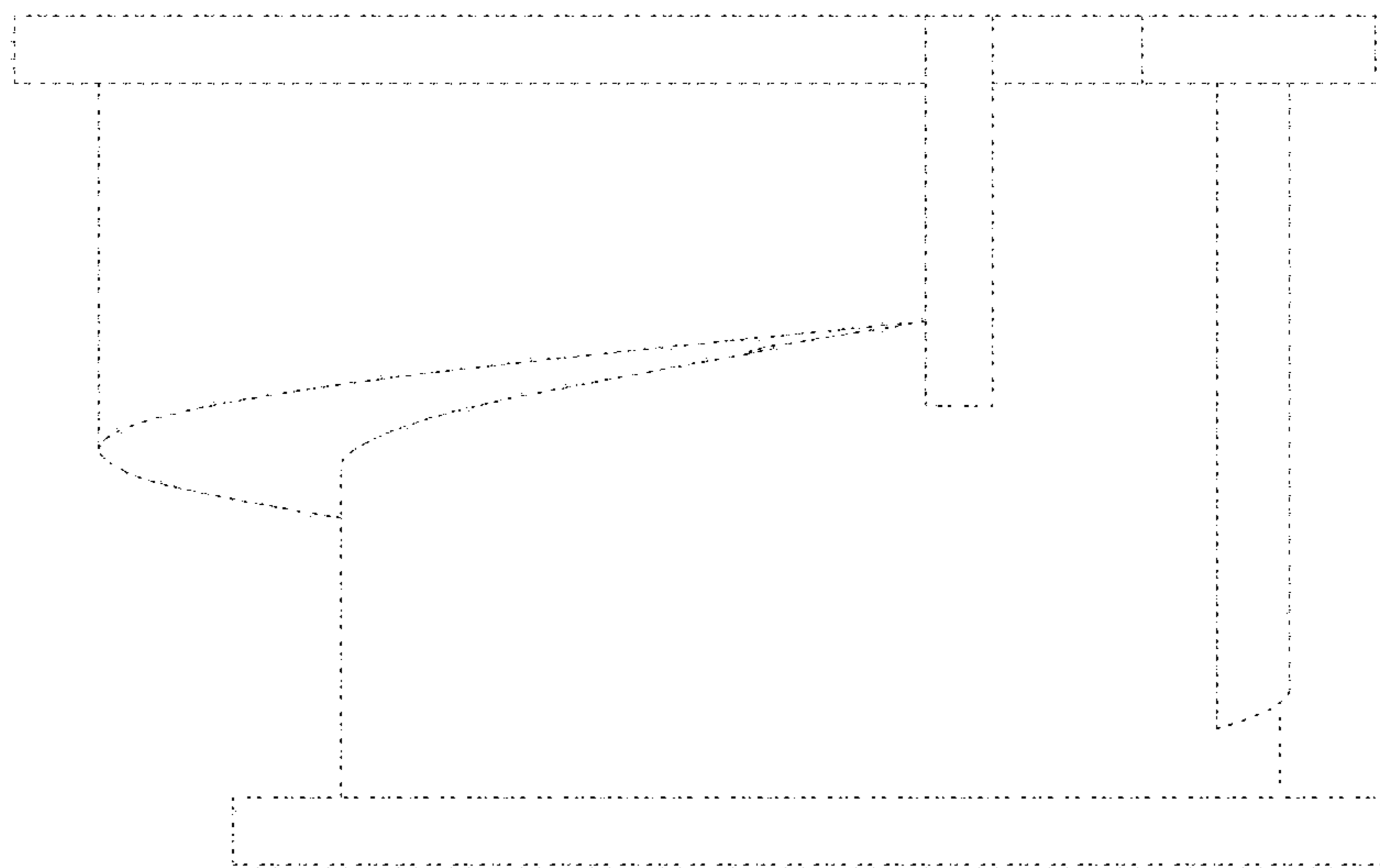


Fig. 4

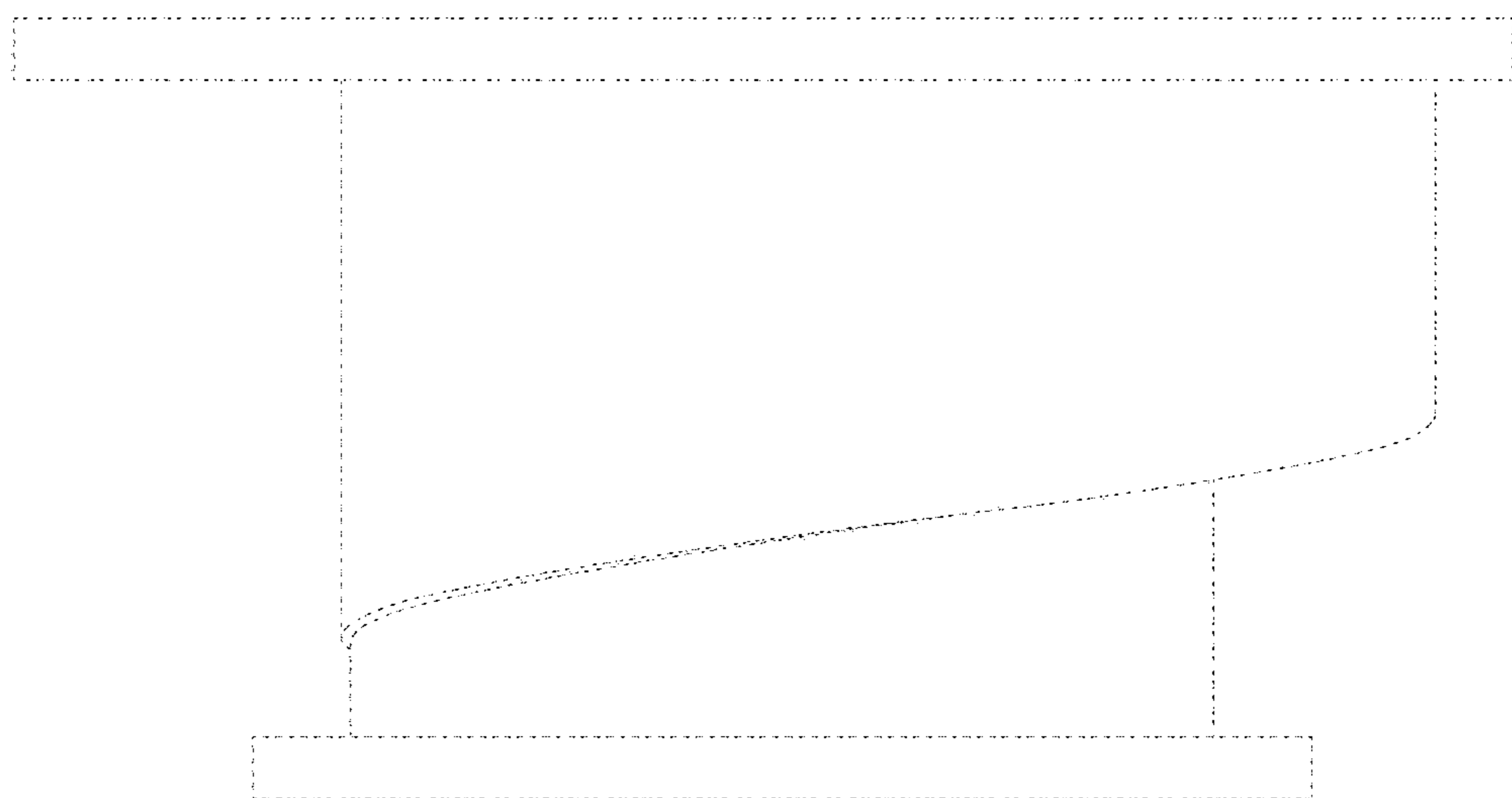


Fig. 5

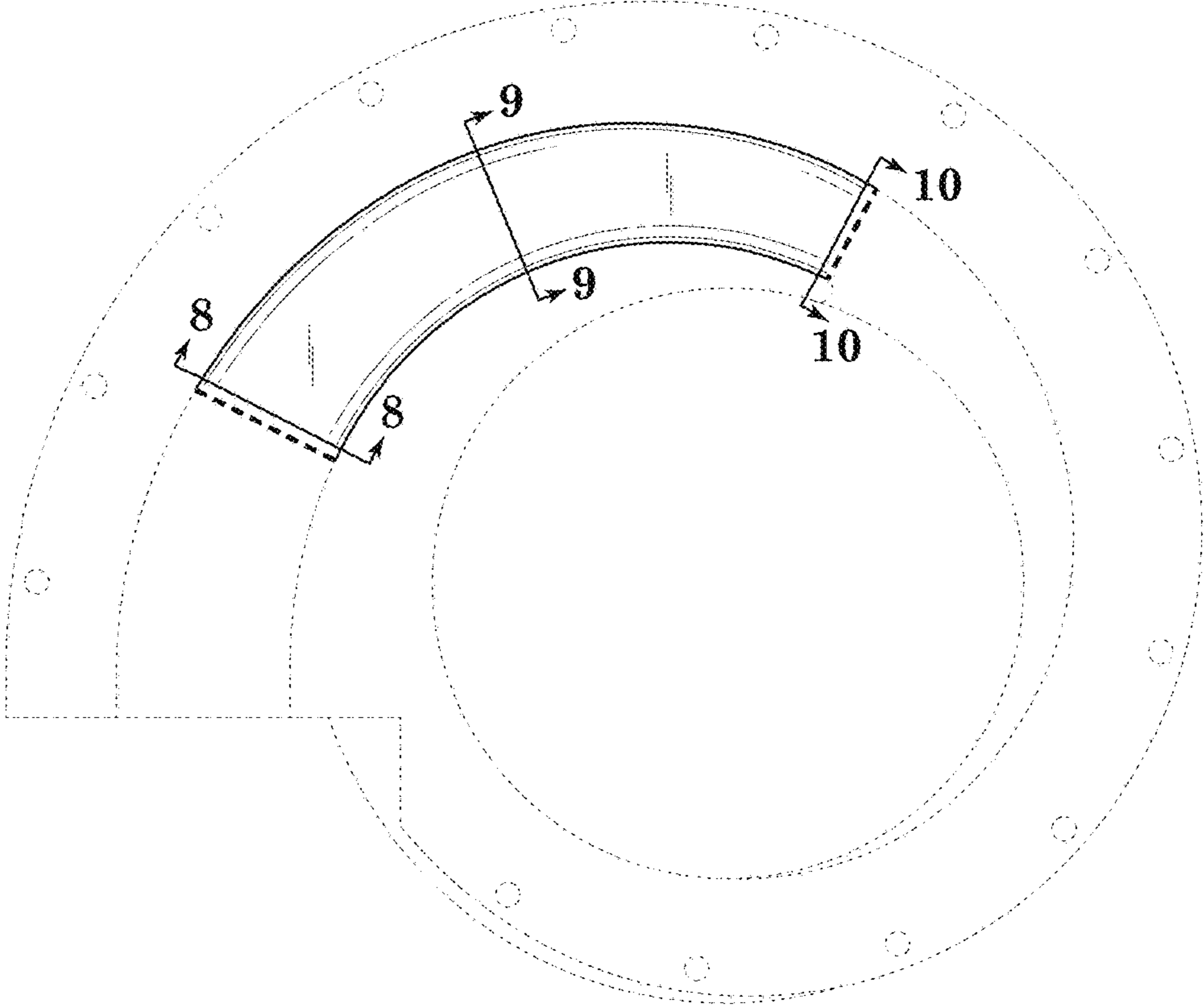


Fig. 6

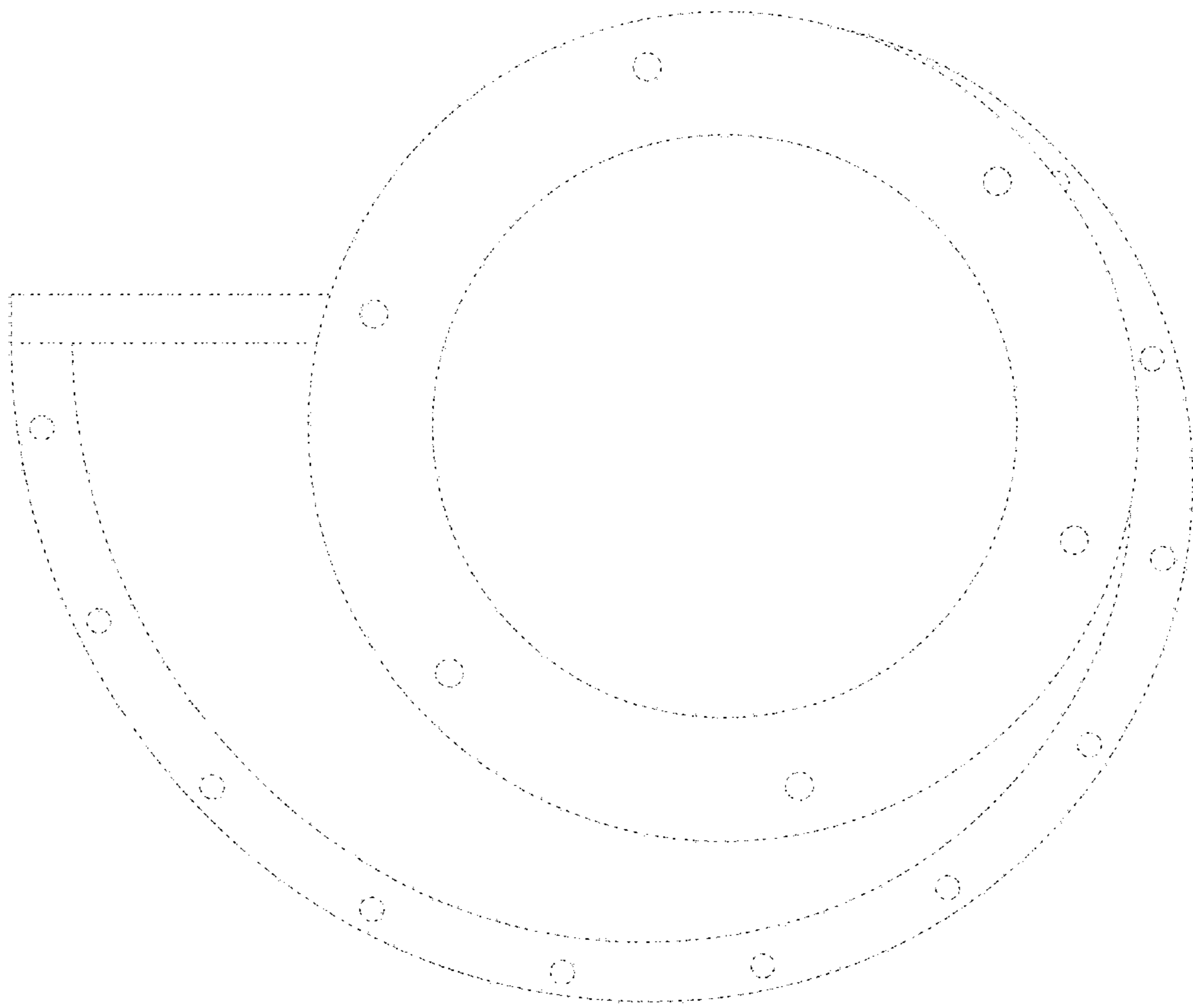


Fig. 7

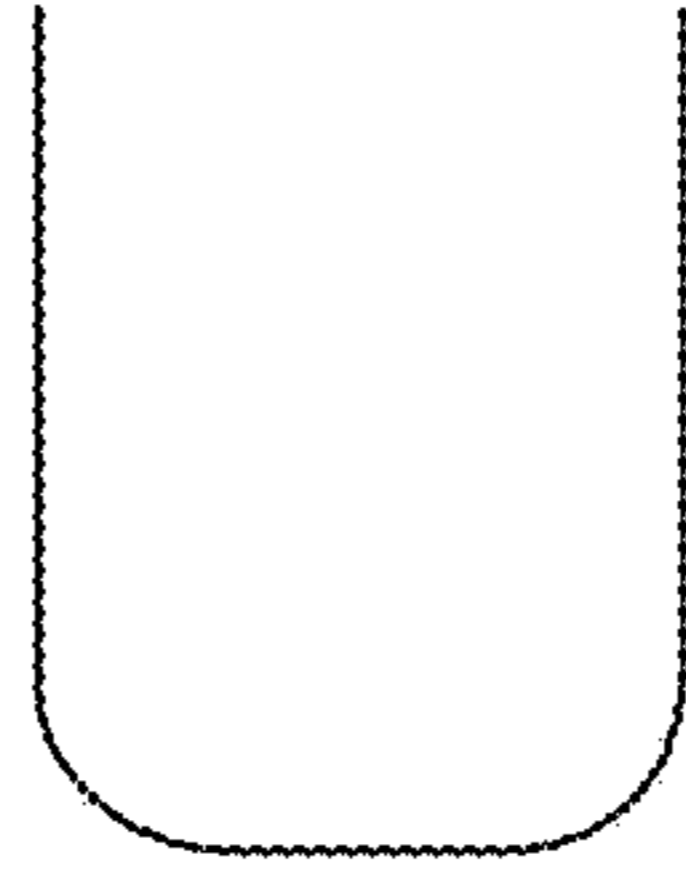


Fig. 8

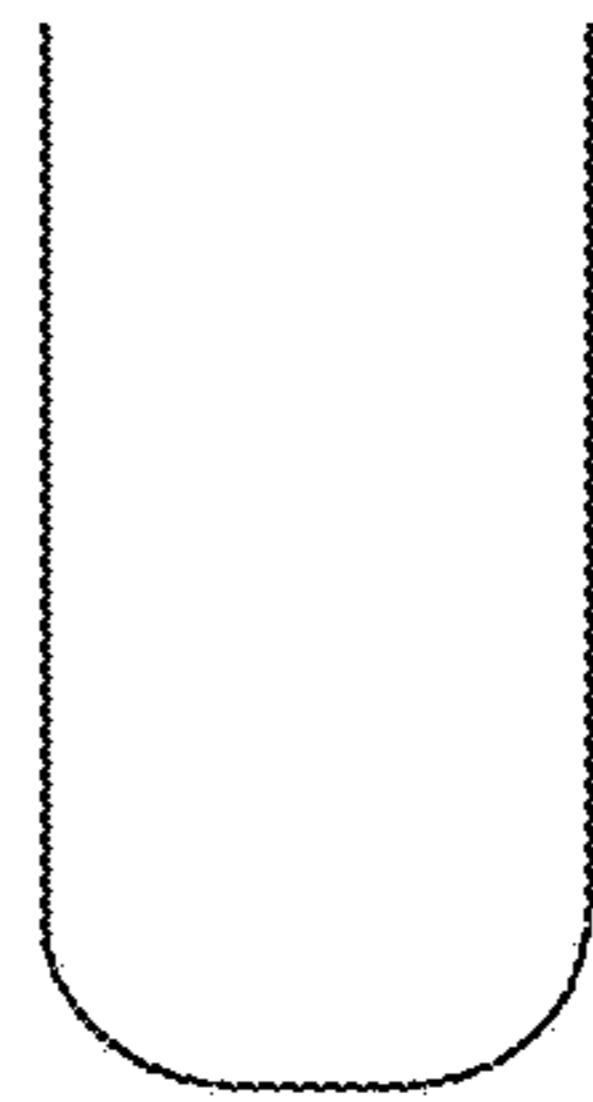


Fig. 9

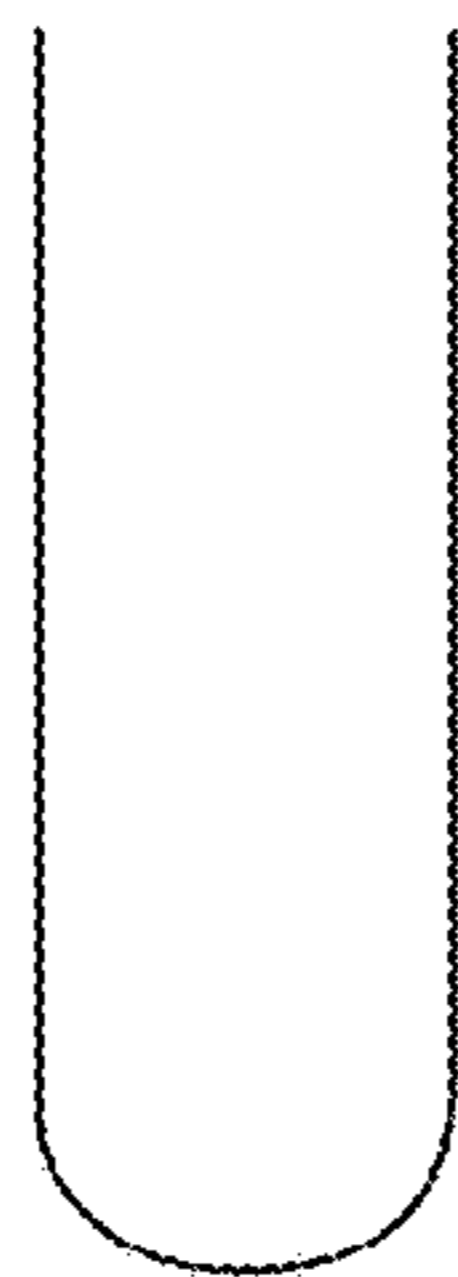


Fig. 10