



US00D857069S

(12) **United States Design Patent**
Abe et al.

(10) **Patent No.:** **US D857,069 S**
(45) **Date of Patent:** **** Aug. 20, 2019**

(54) **DRILLING TOOL**

FOREIGN PATENT DOCUMENTS

(71) Applicant: **SUMITOMO ELECTRIC**
HARDMETAL CORP., Itami-shi (JP)

JP H01-175116 U 12/1989
JP 2002-036017 A 2/2002
(Continued)

(72) Inventors: **Machiko Abe**, Itami (JP); **Hiroyuki Shimada**, Itami (JP); **Kazuya Yano**, Itami (JP)

OTHER PUBLICATIONS

(73) Assignee: **SUMITOMO ELECTRIC**
HARDMETAL CORP., Itami-shi (JP)

Notice in Japanese Design Application No. 2015-015006, dated Nov. 16, 2015.
(Continued)

(**) Term: **15 Years**

Primary Examiner — Patricia A Palasik
(74) *Attorney, Agent, or Firm* — Baker Botts L.L.P.;
Michael A. Sartori

(21) Appl. No.: **29/654,904**

(22) Filed: **Jun. 28, 2018**

(57) **CLAIM**

The ornamental design for a drilling tool, as shown and described.

Related U.S. Application Data

(62) Division of application No. 29/550,581, filed on Jan. 5, 2016.

DESCRIPTION

(30) **Foreign Application Priority Data**

Jul. 6, 2015 (JP) 2015-015006
Jul. 6, 2015 (JP) 2015-015007
(Continued)

FIG. 1 is a front view of a drilling tool,
FIG. 2 is a rear view thereof;
FIG. 3 is a top view thereof;
FIG. 4 is a bottom view thereof;
FIG. 5 is a right side view thereof;
FIG. 6 is a left side view thereof;
FIG. 7 is a perspective view thereof;
FIG. 8 is an enlarged front view of XX-XX portion of FIG. 1,
FIG. 9 is an enlarged top view of XX-XX portion of FIG. 1,
FIG. 10 is an enlarged right side view of XX-XX portion of FIG. 1,
FIG. 11 is an enlarged first perspective view of XX-XX portion of FIG. 1; and,
FIG. 12 is an enlarged second perspective view of XX-XX portion of FIG. 1.
The broken lines shown in the drawings represent portions of the drilling tool that form no part of the claimed design.

(51) **LOC (12) Cl.** **15-09**

(52) **U.S. Cl.**
USPC **D15/139**

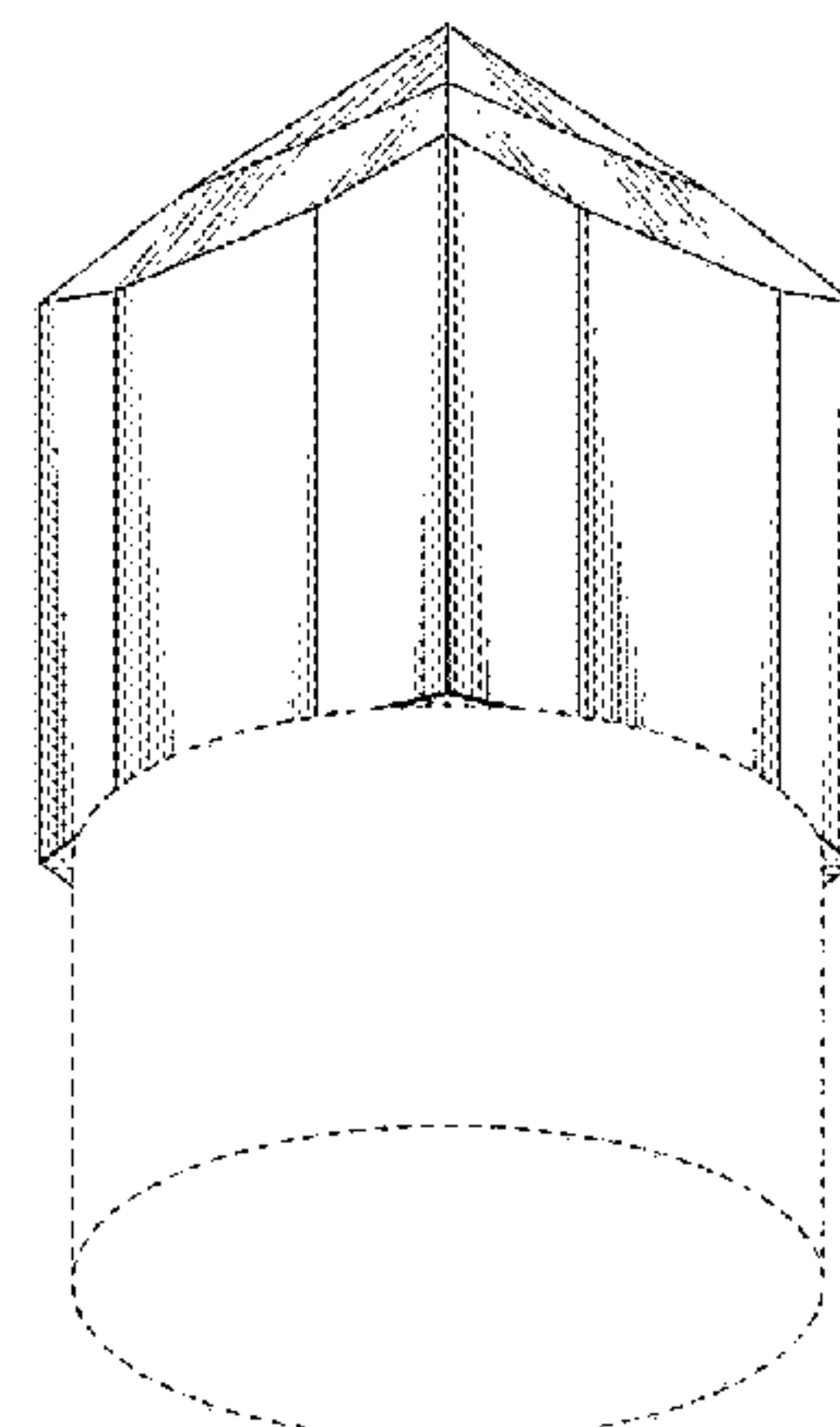
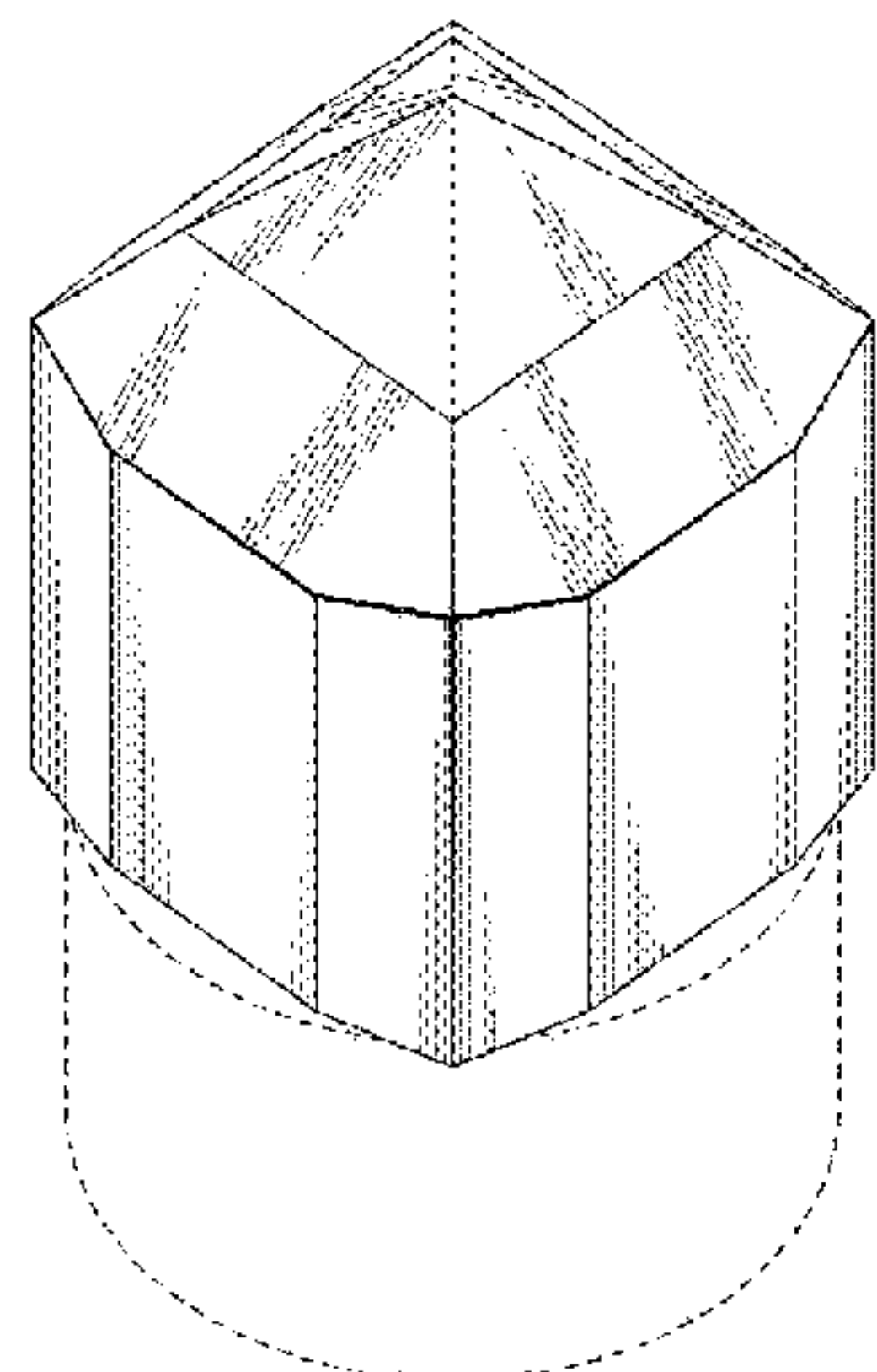
(58) **Field of Classification Search**
USPC 8/86; D15/131, 132, 138, 139, 140
(Continued)

(56) **References Cited**

U.S. PATENT DOCUMENTS

4,821,819 A 4/1989 Whysong
5,161,859 A 11/1992 Larsson et al.
(Continued)

1 Claim, 9 Drawing Sheets



(30) **Foreign Application Priority Data**

Jul. 6, 2015 (JP) 2015-015008
 Jul. 6, 2015 (JP) 2015-015009

9,739,097 B2 8/2017 Zhang et al.
 D818,507 S * 5/2018 Swope D15/139
 D826,299 S * 8/2018 Bailleres D15/139

(58) **Field of Classification Search**

CPC ... B23K 31/025; B23K 35/0222; E21B 10/56;
 E21C 35/183; E21C 2035/1806
 See application file for complete search history.

FOREIGN PATENT DOCUMENTS

JP 2005-022102 A 1/2005
 JP 2012-011475 A 1/2012
 JP D1522840 4/2015
 TW D156297 10/2013

(56) **References Cited**

U.S. PATENT DOCUMENTS

5,172,779 A 12/1992 Siracki et al.
 5,417,475 A 5/1995 Graham et al.
 D371,374 S 7/1996 Fischer et al.
 5,837,071 A 11/1998 Andersson et al.
 6,196,636 B1 3/2001 Mills et al.
 6,758,530 B2 7/2004 Sollami
 D627,804 S 11/2010 Fader et al.
 8,007,049 B2 8/2011 Fader et al.
 8,701,799 B2 4/2014 Hall et al.
 8,950,517 B2 2/2015 Hall et al.
 9,200,483 B2 12/2015 Gavia et al.
 9,316,058 B2 4/2016 Bilen et al.
 9,610,555 B2 4/2017 Mukhopadhyay et al.
 9,683,410 B2 6/2017 Zhang et al.

OTHER PUBLICATIONS

Notice in Japanese Design Application No. 2015-015007, dated Nov. 16, 2015.
 Notice in Japanese Design Application No. 2015-015008, dated Nov. 16, 2015.
 Notice in Japanese Design Application No. 2015-015009, dated Nov. 16, 2015.
 Notice of Allowance in Taiwanese Design Application No. 105300043, dated May 30, 2016.
 Notice of Allowance in Taiwanese Design Application No. 105300043D01, dated May 30, 2016.
 Notice of Allowance in Taiwanese Design Application No. 105300043D02, dated May 30, 2016.

* cited by examiner

FIG. 1

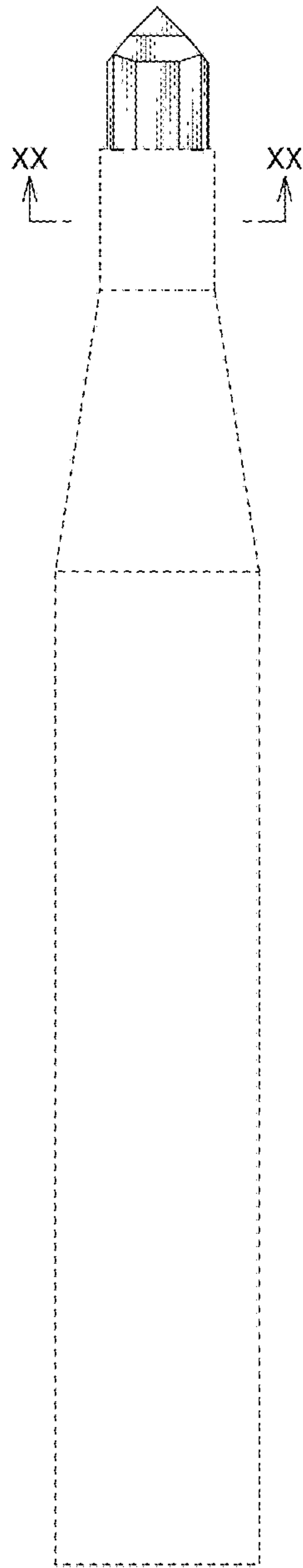


FIG. 2

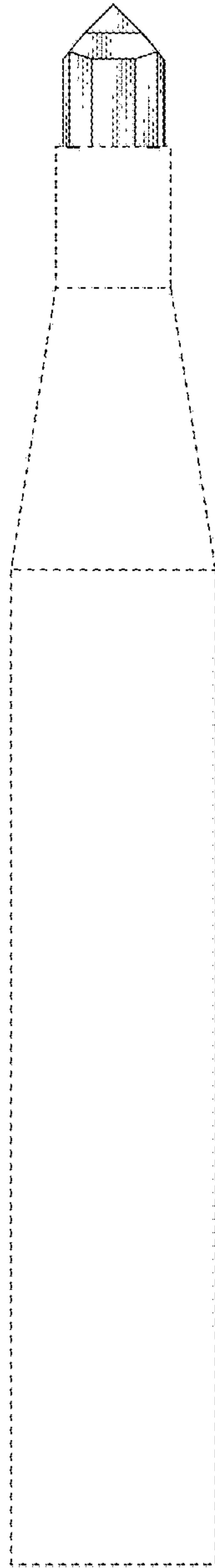


FIG. 3

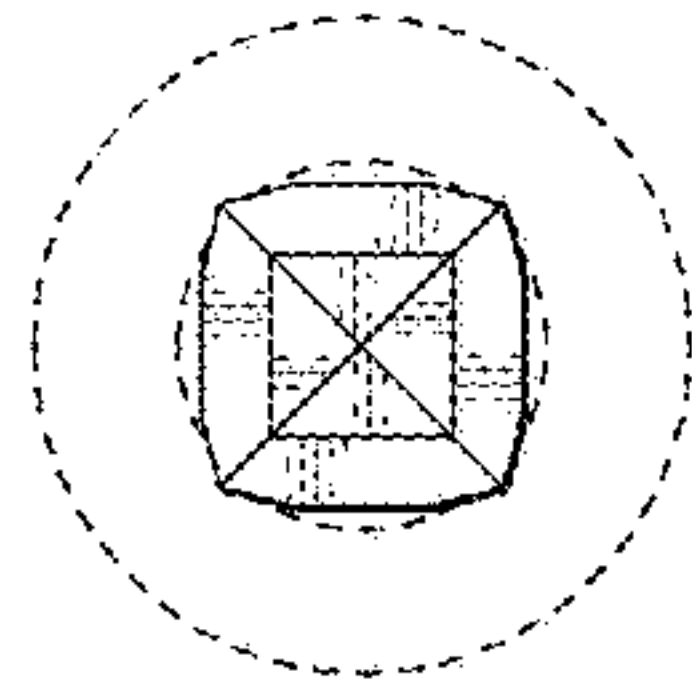


FIG. 4

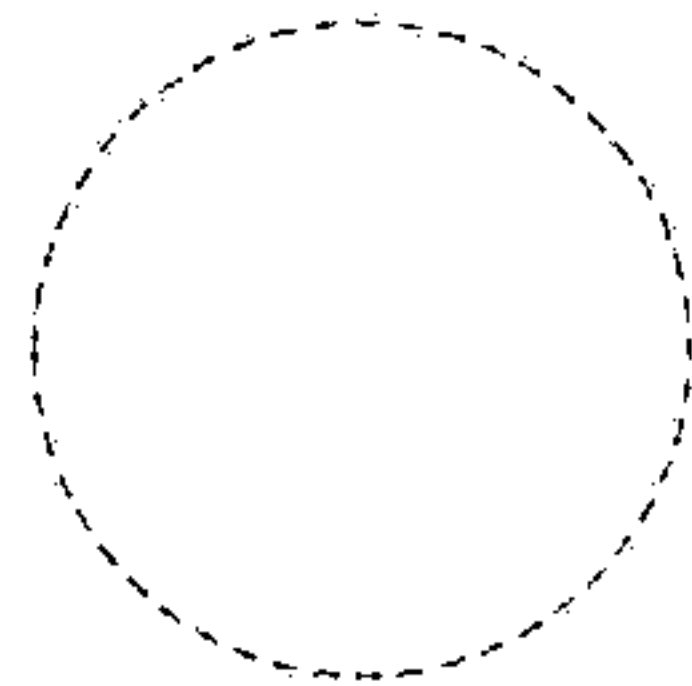


FIG. 5

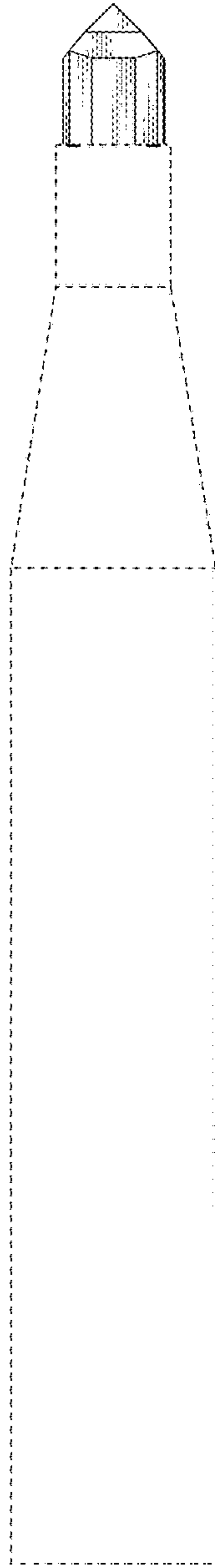


FIG. 6

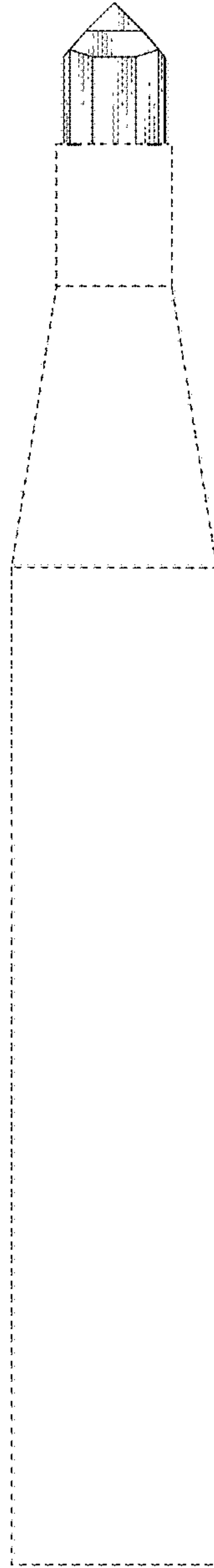


FIG. 7

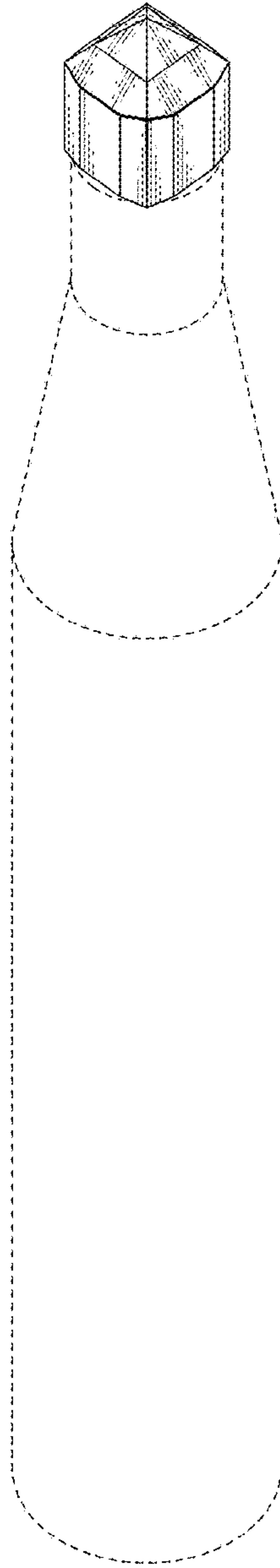


FIG. 8

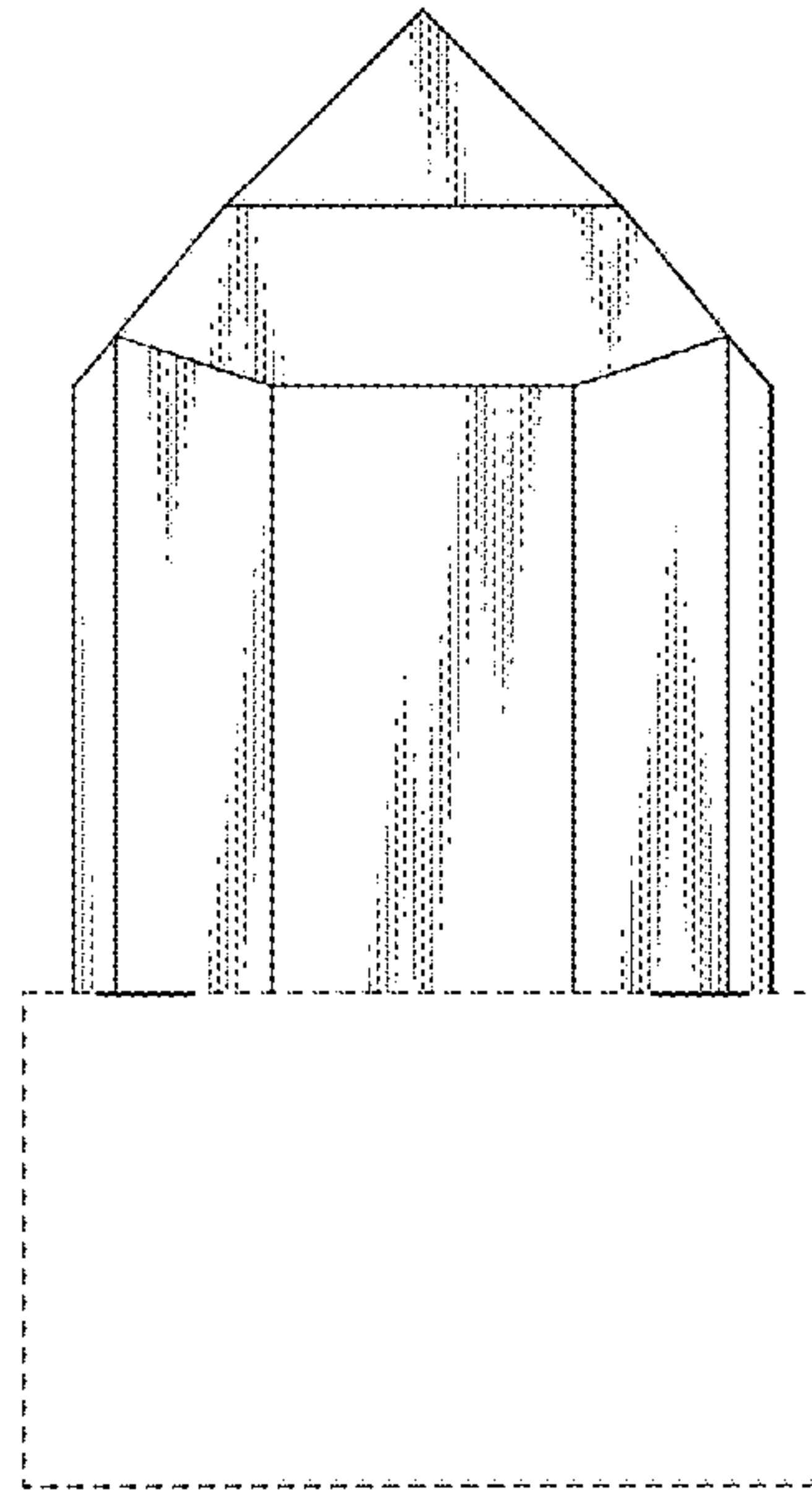


FIG. 9

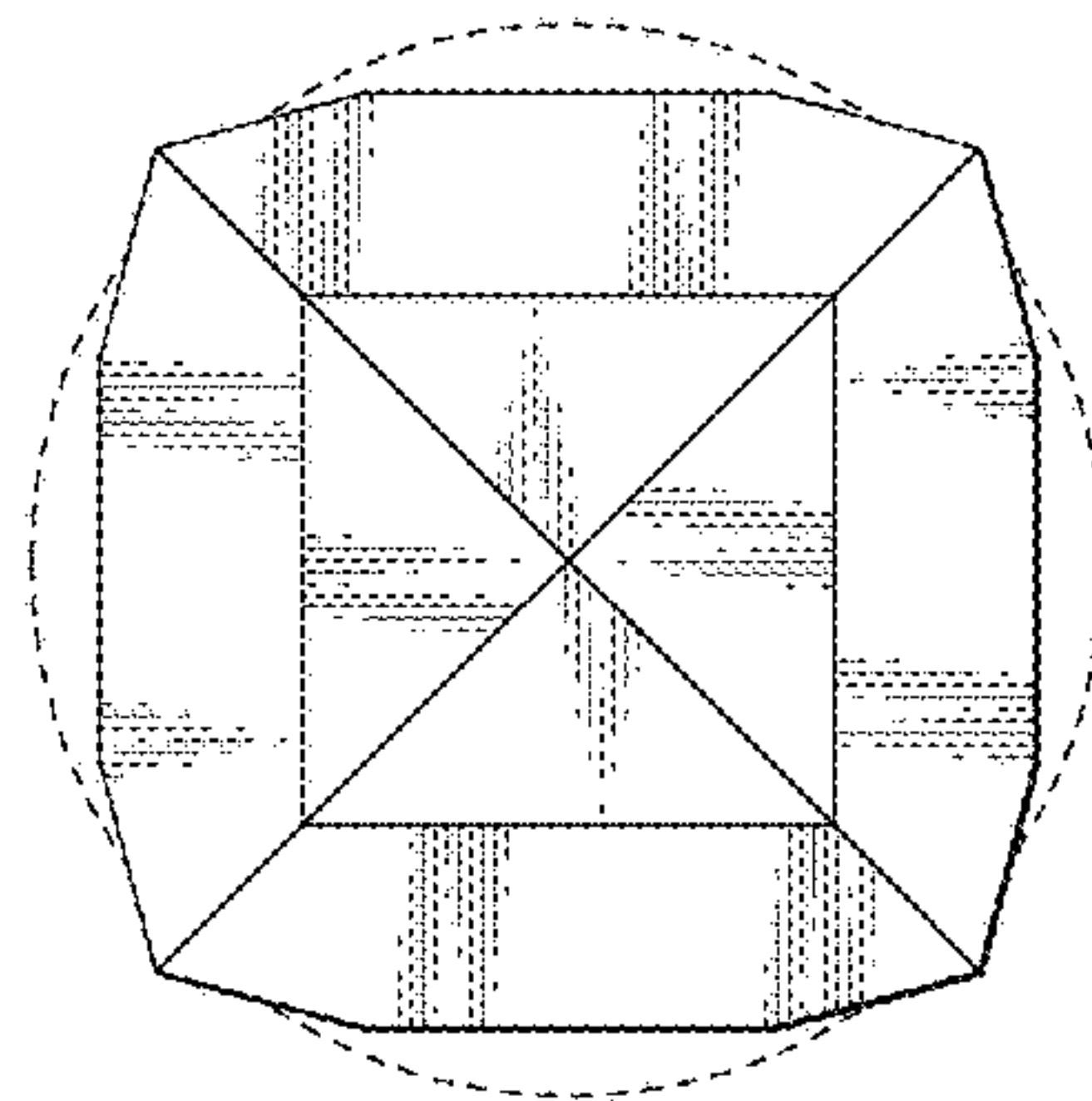


FIG. 10

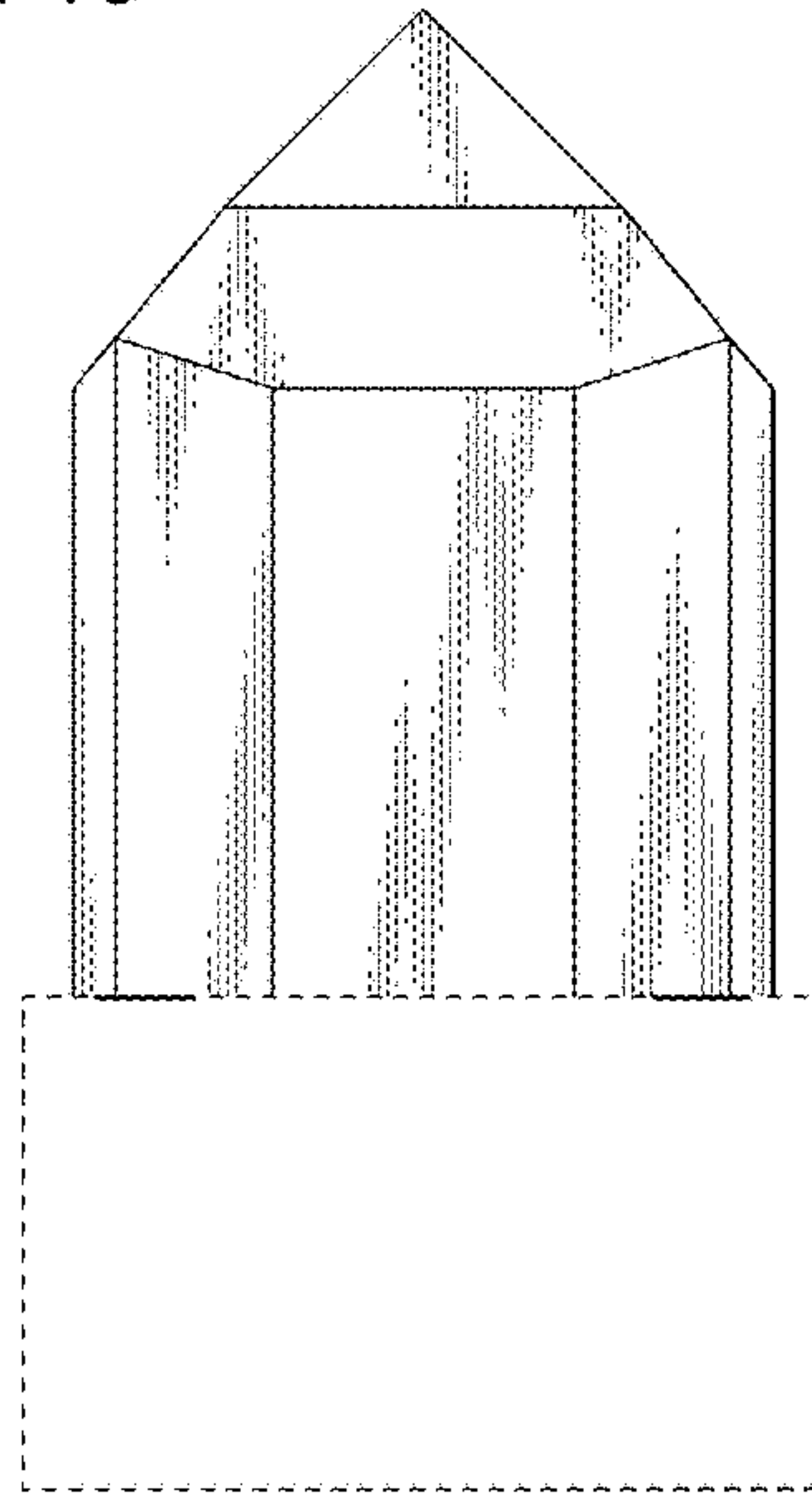


FIG. 11

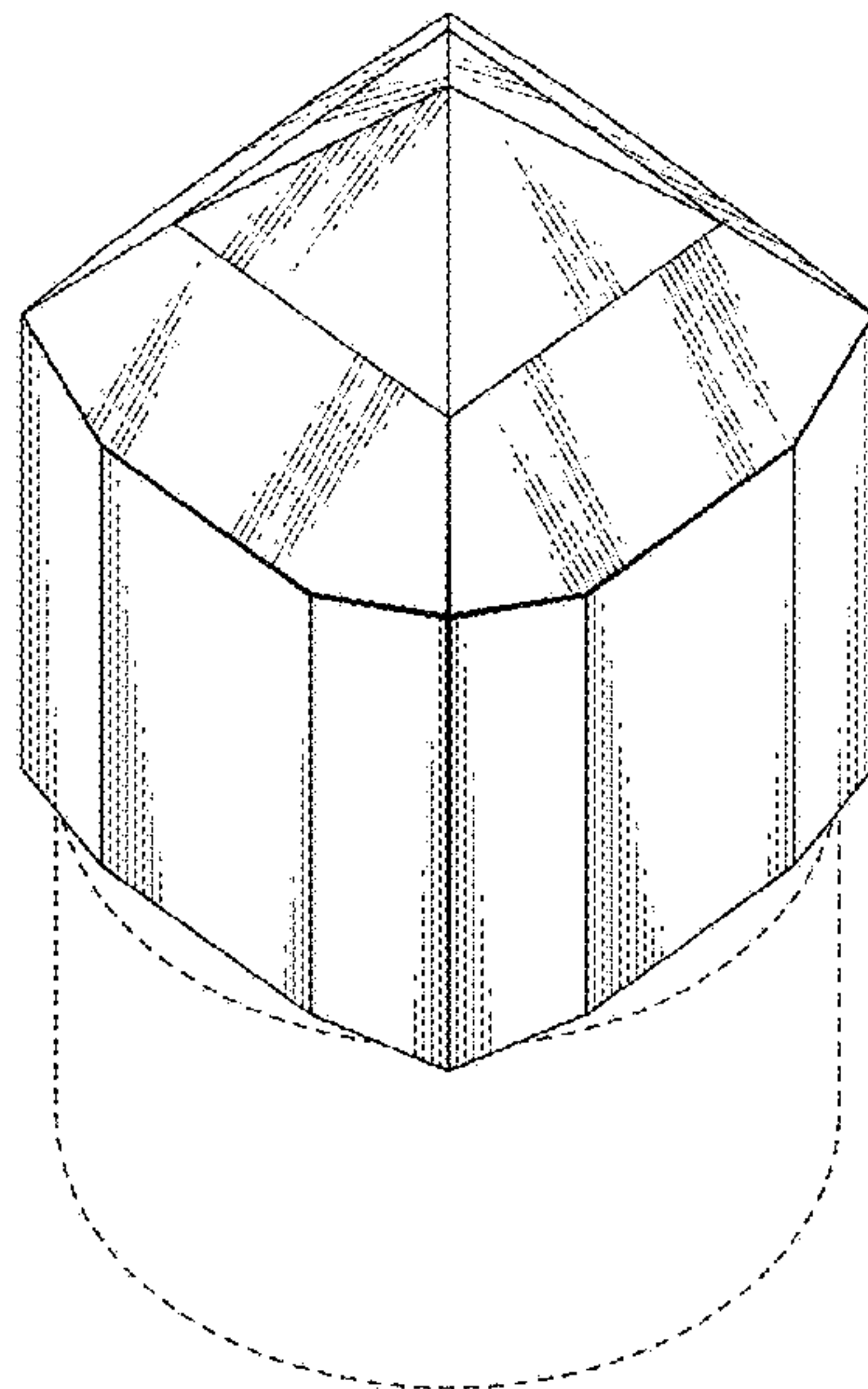


FIG. 12

