



US00D857068S

(12) **United States Design Patent** (10) **Patent No.:** **US D857,068 S**
Hayakawa et al. (45) **Date of Patent:** **** *Aug. 20, 2019**

(54) **CUTTING INSERT**
(71) Applicant: **OSG CORPORATION**, Toyokawa, Aichi (JP)
(72) Inventors: **Koji Hayakawa**, Toyohashi (JP); **Daiki Nakamura**, Wako (JP)
(73) Assignee: **OSG CORPORATION**, Toyokawa (JP)
(*) Notice: This patent is subject to a terminal disclaimer.
(**) Term: **15 Years**

(21) Appl. No.: **29/641,157**
(22) Filed: **Mar. 20, 2018**
(30) **Foreign Application Priority Data**
Sep. 21, 2017 (JP) 2017-020613
(51) **LOC (12) Cl.** **15-09**
(52) **U.S. Cl.**
USPC **D15/139**
(58) **Field of Classification Search**
USPC D7/365, 368, 381, 672, 673, 693; D8/70, D8/71; D15/138-140
CPC B23B 51/048; B23C 5/2213; Y10T 40/23; Y10T 40/235; Y10T 40/245
See application file for complete search history.

(56) **References Cited**
U.S. PATENT DOCUMENTS
D355,661 S * 2/1995 Hessman D15/139
D381,026 S * 7/1997 Hessman D15/139
D390,854 S * 2/1998 Satran D15/139
5,827,016 A * 10/1998 Strand B23C 5/202
407/115
D460,768 S * 7/2002 Svensson D15/139
D482,706 S * 11/2003 Svensson D15/139

D640,716 S * 6/2011 Takahashi D15/139
D649,987 S * 12/2011 Dunnahoe D15/139
D710,409 S * 8/2014 Morrison D15/139
D738,411 S * 9/2015 Kim D15/139
D760,308 S * 6/2016 Krishnegowda D15/139
RE46,197 E * 11/2016 Takahashi D15/139
D781,937 S * 3/2017 Svedensten D15/123
D781,938 S * 3/2017 Svedensten D15/123
D815,164 S * 4/2018 Schleicher D15/139
D821,460 S * 6/2018 Kojo D15/139
D832,319 S * 10/2018 Muthuswamy D15/139
2007/0297865 A1 * 12/2007 Hessman B23C 5/207
407/114

(Continued)

FOREIGN PATENT DOCUMENTS

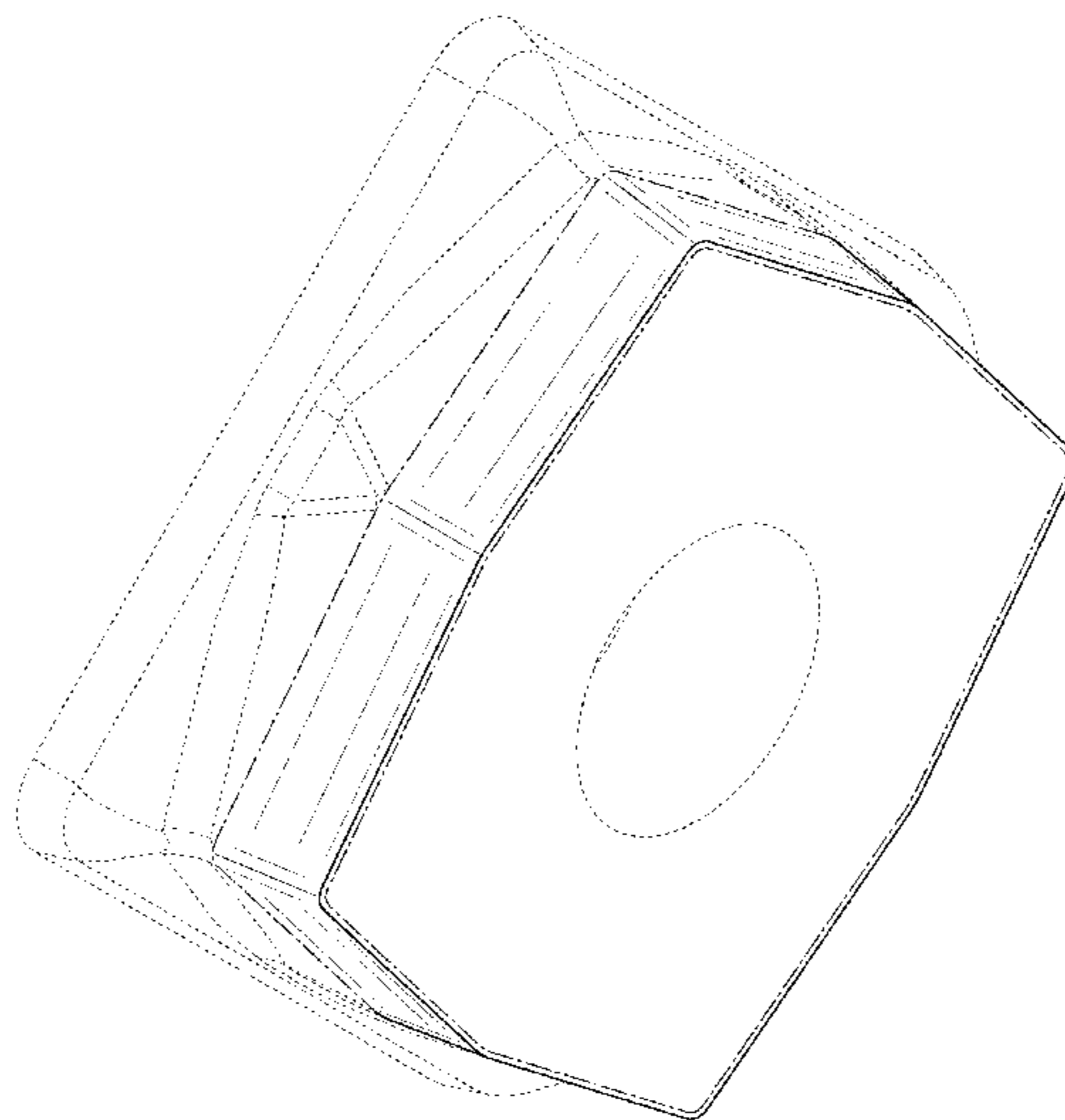
EP 3059037 A1 * 8/2016 B23C 5/207
Primary Examiner — Garth Rademaker
Assistant Examiner — Fritzgerald L Butac
(74) *Attorney, Agent, or Firm* — Oliff PLC

(57) **CLAIM**
The ornamental design for a cutting insert, as shown and described.

DESCRIPTION

FIG. 1 is a top, right-side, front perspective view of the cutting insert;
FIG. 2 is a front elevational view thereof;
FIG. 3 is a top plan view thereof, the bottom plan view (not provided), right-side elevational view (not provided), and left-side elevational view (not provided) being identical thereto; and,
FIG. 4 is a cross-sectional view thereof taken along line 4-4 in FIG. 2.
The “dot-dash” broken lines show the bounds of the claimed design and form no part thereof. The broken lines show portions of a cutting insert that form no part of the claimed design.

1 Claim, 4 Drawing Sheets



(56)

References Cited

U.S. PATENT DOCUMENTS

2014/0161545 A1* 6/2014 Inagaki B23B 27/1603
407/42
2015/0190869 A1* 7/2015 Roman B23C 5/207
407/42
2018/0200808 A1* 7/2018 Lee B23C 5/207
2018/0243844 A1* 8/2018 Viklund B23C 5/06

* cited by examiner

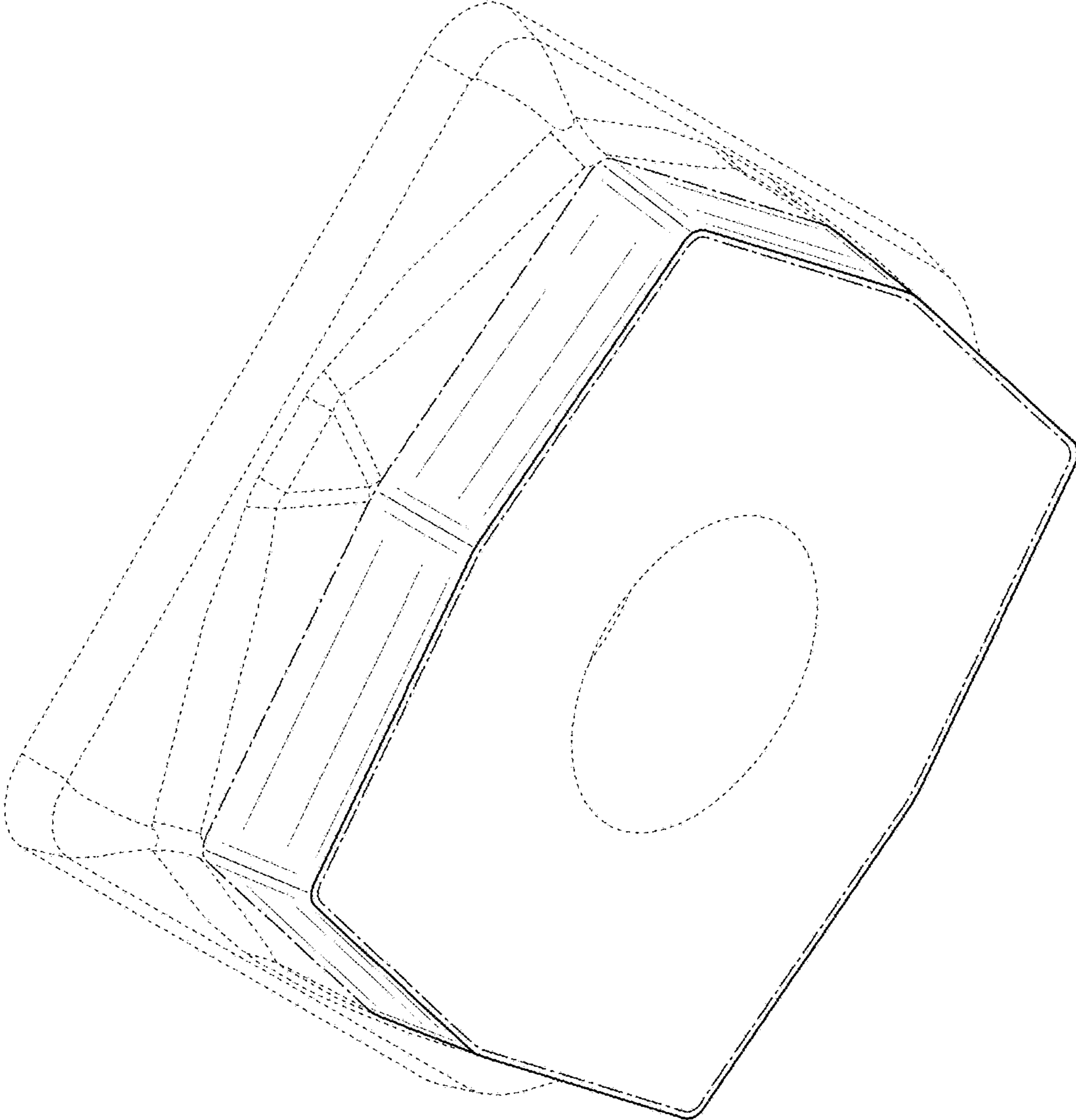


FIG. 1

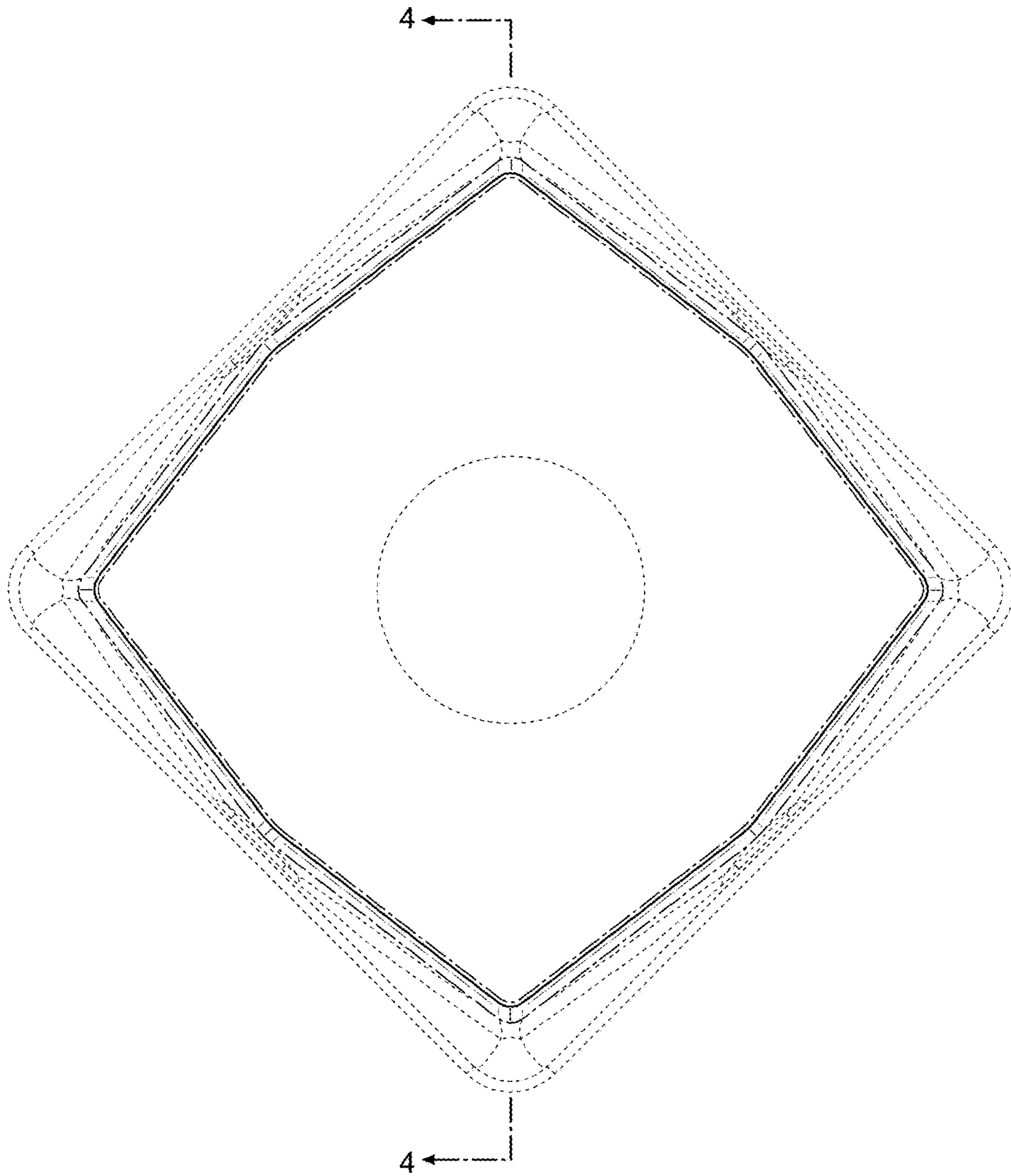


FIG. 2

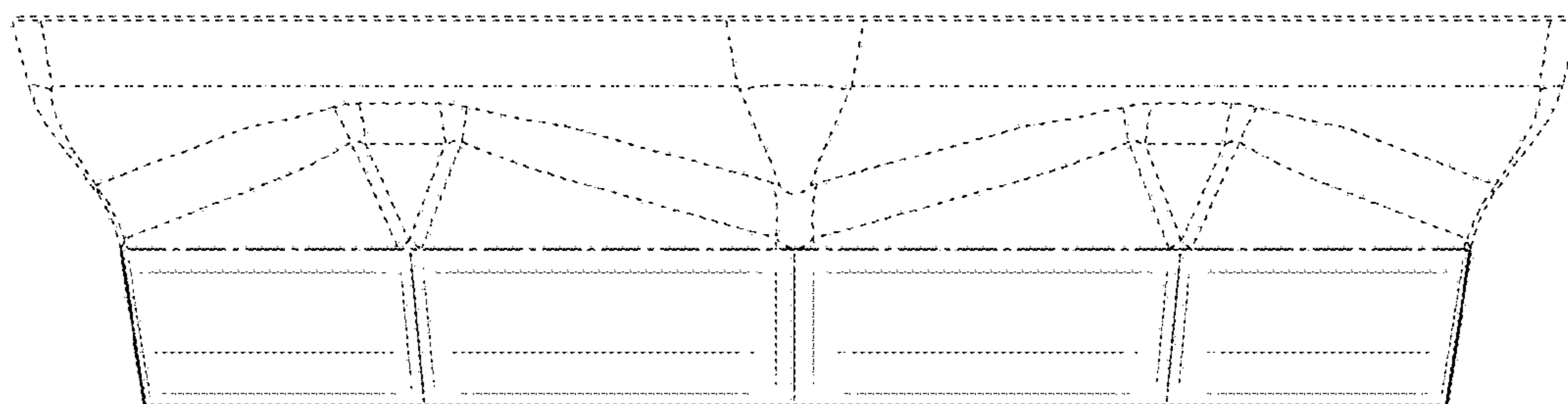


FIG. 3

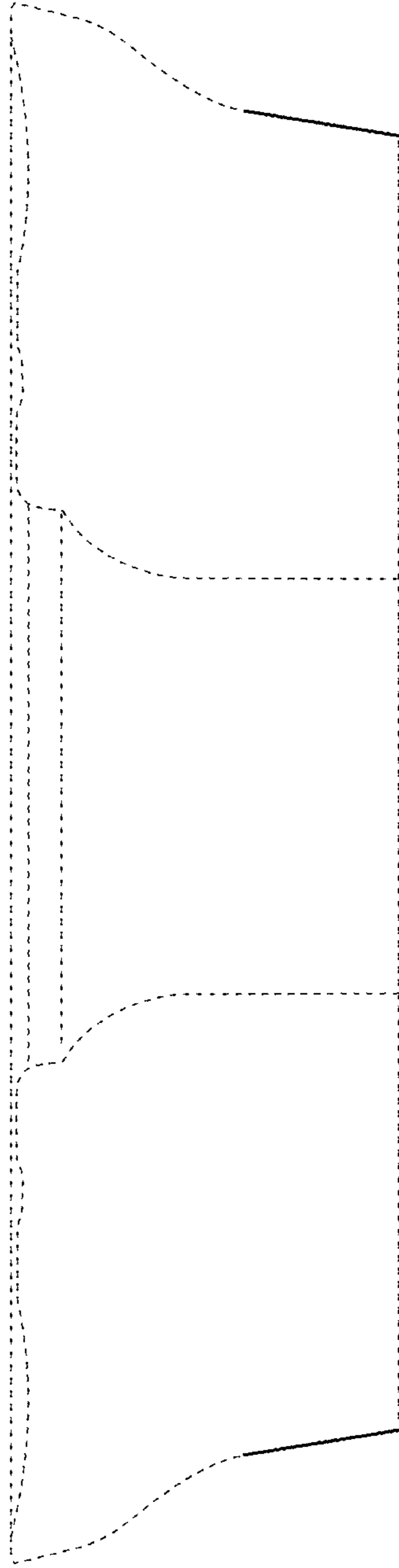


FIG. 4