



US00D857065S

(12) **United States Design Patent** (10) **Patent No.:** **US D857,065 S**
Rebholz (45) **Date of Patent:** **** Aug. 20, 2019**

(54) **ROSIN PRESS** 2,363,489 A * 11/1944 Auer C09D 7/005
106/178.1
(71) Applicant: **Anthony Rebholz**, Oregon City, OR D141,667 S * 6/1945 Hess et al. D15/123
(US) D141,668 S * 6/1945 Hess et al. D15/123
D153,892 S * 5/1949 Mills D15/123
(72) Inventor: **Anthony Rebholz**, Oregon City, OR D156,333 S * 12/1949 Goldberg D15/123
(US) D156,334 S * 12/1949 Goldberg D15/123
2,839,870 A * 6/1958 Denman C03B 11/02
425/542

(**) Term: **15 Years** (Continued)

(21) Appl. No.: **29/647,972**

OTHER PUBLICATIONS

(22) Filed: **May 17, 2018**

710 Snob, Inc., 20 ton Rosin Press Kit, posted at 710snob.com, © 710 Snob, Inc., [online], [site visted May 30, 2018], 8 pages, available from Internet, <URL: https://710snob.com/product/20-ton-rosin-press-kit/>.

(51) **LOC (12) Cl.** **15-09**

(52) **U.S. Cl.**
USPC **D15/123**

(Continued)

(58) **Field of Classification Search**
USPC D15/122, 123, 125, 135, 136, 138, 141,
D15/145, 146
CPC B30B 15/04; B30B 15/18; B30B 15/048;
B30B 15/287; B32B 37/06; B32B
37/0053; B32B 2309/02

Primary Examiner — Patricia A Palasik
(74) *Attorney, Agent, or Firm* — Howard Russell

See application file for complete search history.

(57) **CLAIM**

The ornamental design for a rosin press, as shown and described.

(56) **References Cited**

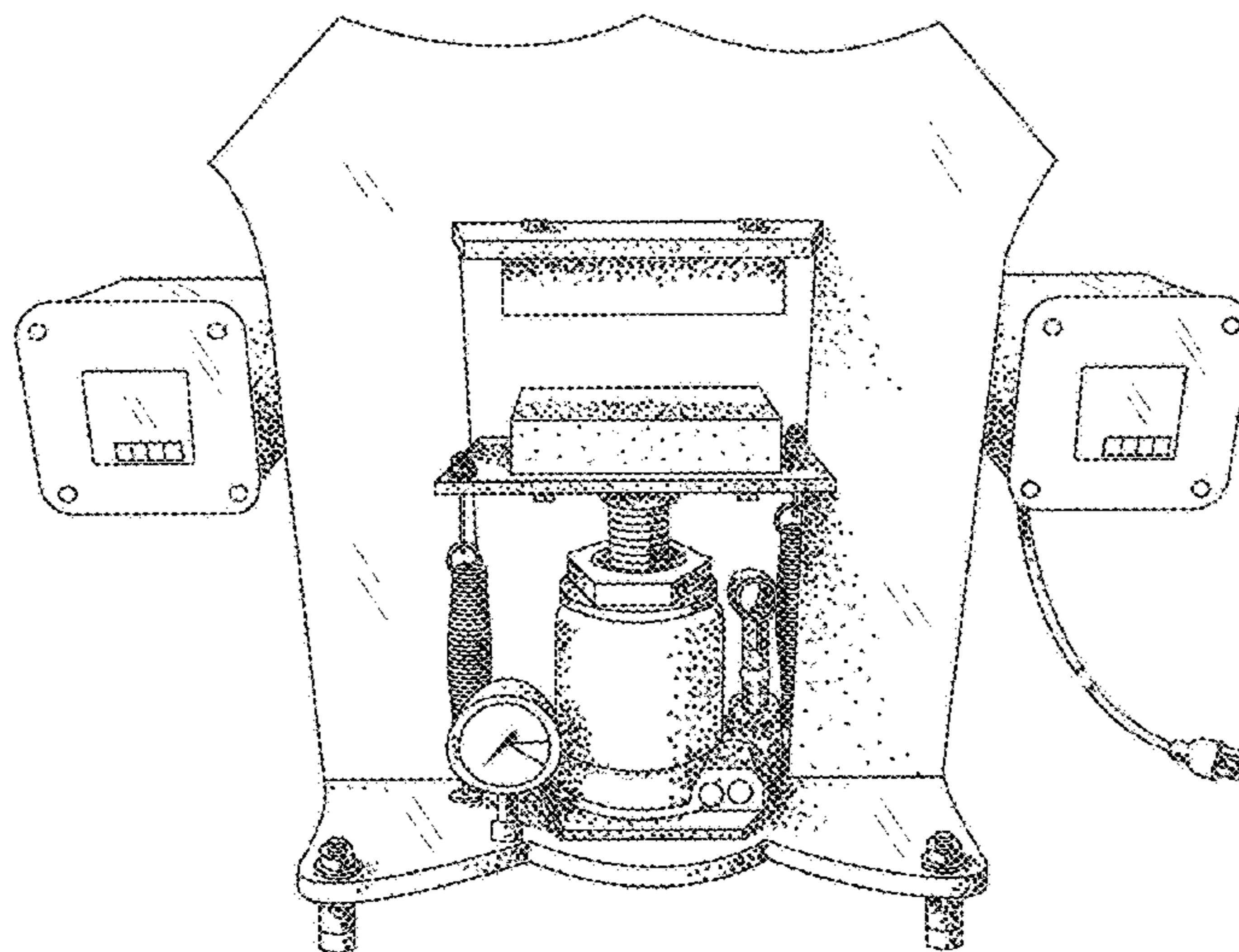
DESCRIPTION

U.S. PATENT DOCUMENTS

199,297 A * 1/1878 Lawther B30B 15/04
100/269.12
673,409 A * 5/1901 Nichols B30B 15/04
100/214
988,469 A * 4/1911 Howlett B30B 15/04
100/1
1,466,714 A * 9/1923 Harnden B41F 1/22
101/3.1
2,102,842 A * 12/1937 Glasner B30B 15/00
100/257
2,137,634 A * 11/1938 Sutherland B29D 30/065
100/225
D122,252 S * 9/1940 Bolling D15/123
D135,821 S * 6/1943 Mills D15/123
2,357,508 A * 9/1944 Ernst B30B 15/18
100/270

FIG. 1 is a perspective front view of a rosin press showing my design;
FIG. 2 is a perspective rear view of the rosin press of FIG. 1;
FIG. 3 is a perspective top view of the rosin press of FIG. 1;
FIG. 4 is a perspective bottom view of the rosin press of FIG. 1;
FIG. 5 is a perspective right side view of the rosin press of FIG. 1; and,
FIG. 6 is a perspective left side view of the rosin press of FIG. 1.

1 Claim, 5 Drawing Sheets



(56)

References Cited

U.S. PATENT DOCUMENTS

3,117,330 A * 1/1964 Robbins B42C 5/02
100/269.08
3,765,322 A * 10/1973 Weyer B30B 1/003
100/231
3,885,411 A * 5/1975 Szeliga B21J 13/08
470/17
4,102,174 A * 7/1978 Blase B21D 43/05
72/421
4,257,321 A * 3/1981 Wheeler B30B 9/04
100/219
4,502,379 A * 3/1985 Sato B21J 13/04
100/214
D280,414 S * 9/1985 Uroshevich D15/123
4,574,611 A * 3/1986 Hegemann B21D 5/02
72/389.3
4,648,786 A * 3/1987 Sakurai B21D 43/05
198/468.3
6,871,587 B2 * 3/2005 Kanamaru B30B 15/048
100/214
D826,297 S * 8/2018 Yan D15/123
D826,999 S * 8/2018 Yan D15/123

2007/0101876 A1* 5/2007 Cowan B41F 16/02
101/34
2008/0196836 A1* 8/2008 Woods B30B 1/12
156/367
2018/0008655 A1* 1/2018 Weikel A61K 36/185
2018/0178473 A1* 6/2018 Perez B30B 9/06
2018/0257326 A1* 9/2018 Sitnik B30B 15/064

OTHER PUBLICATIONS

Potter USA, 20 Ton Electric Hydraulic Press, posted at potterusa.com, [online], [site visted May 30, 2018], 7 pages, available from Internet, <URL: <http://www.potterusa.com/hydraulic-jewelry-press/311-20-ton-electric-hydraulic-press.html>>.

Rosineer, Rosineer RNR-PV2 Pneumatic Rosin Press Machine—Food Grade Stainless Steel Cover for Heat Plates, posted at rosineer.com, © Copyright 2016-2018, [online], [site visted May 30, 2018], 7 pages, available from Internet, <URL: <https://www.rosineer.com/products/rosineer-rnr-pv2-pneumatic-rosin-press-dab-machine-with-tools-for-best-plant-oil-extractions-dual-element-heat-plates-auto-power-yield-food-grade-stainless-steel-cover-for-heat-plates>>.

* cited by examiner

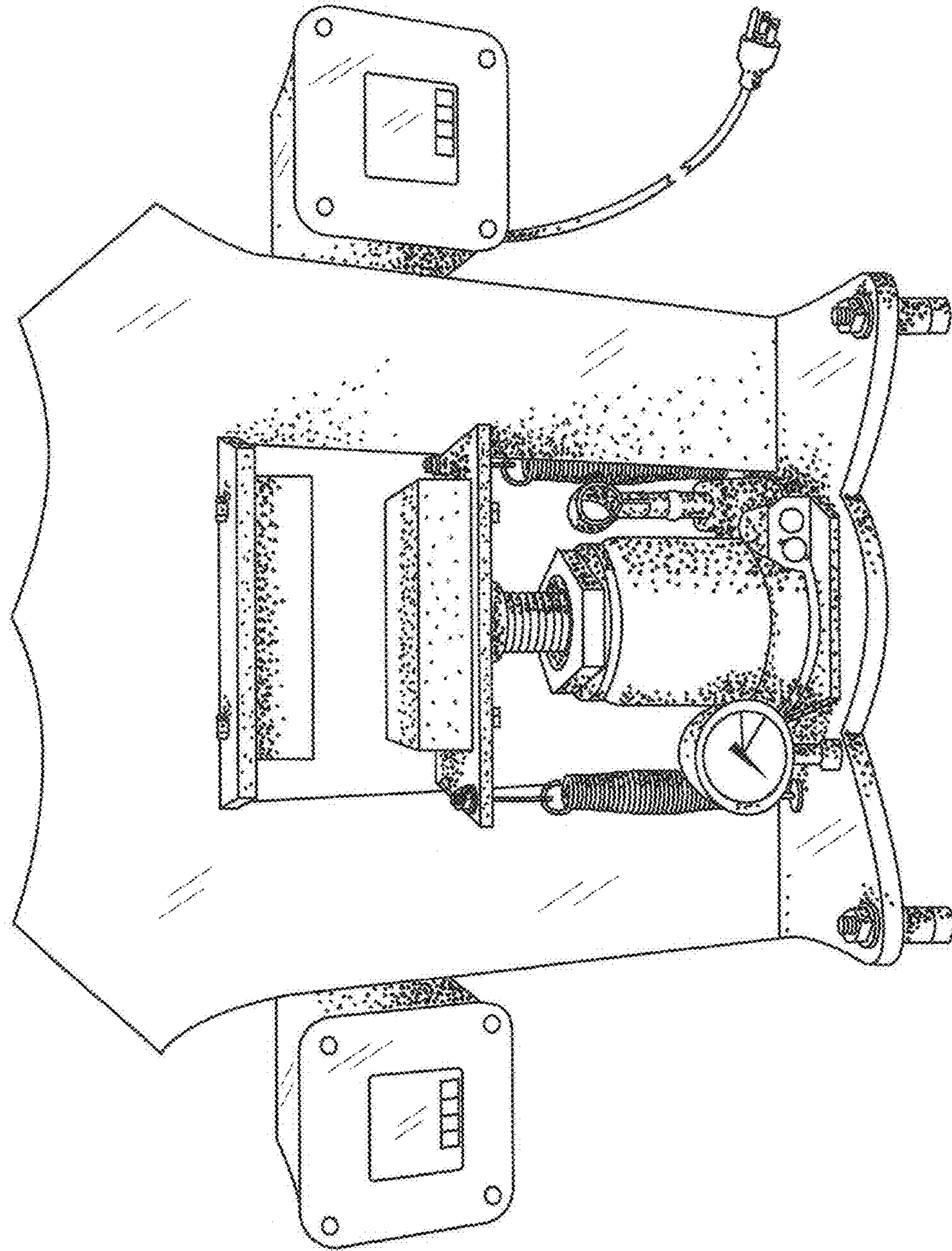


FIG. 1

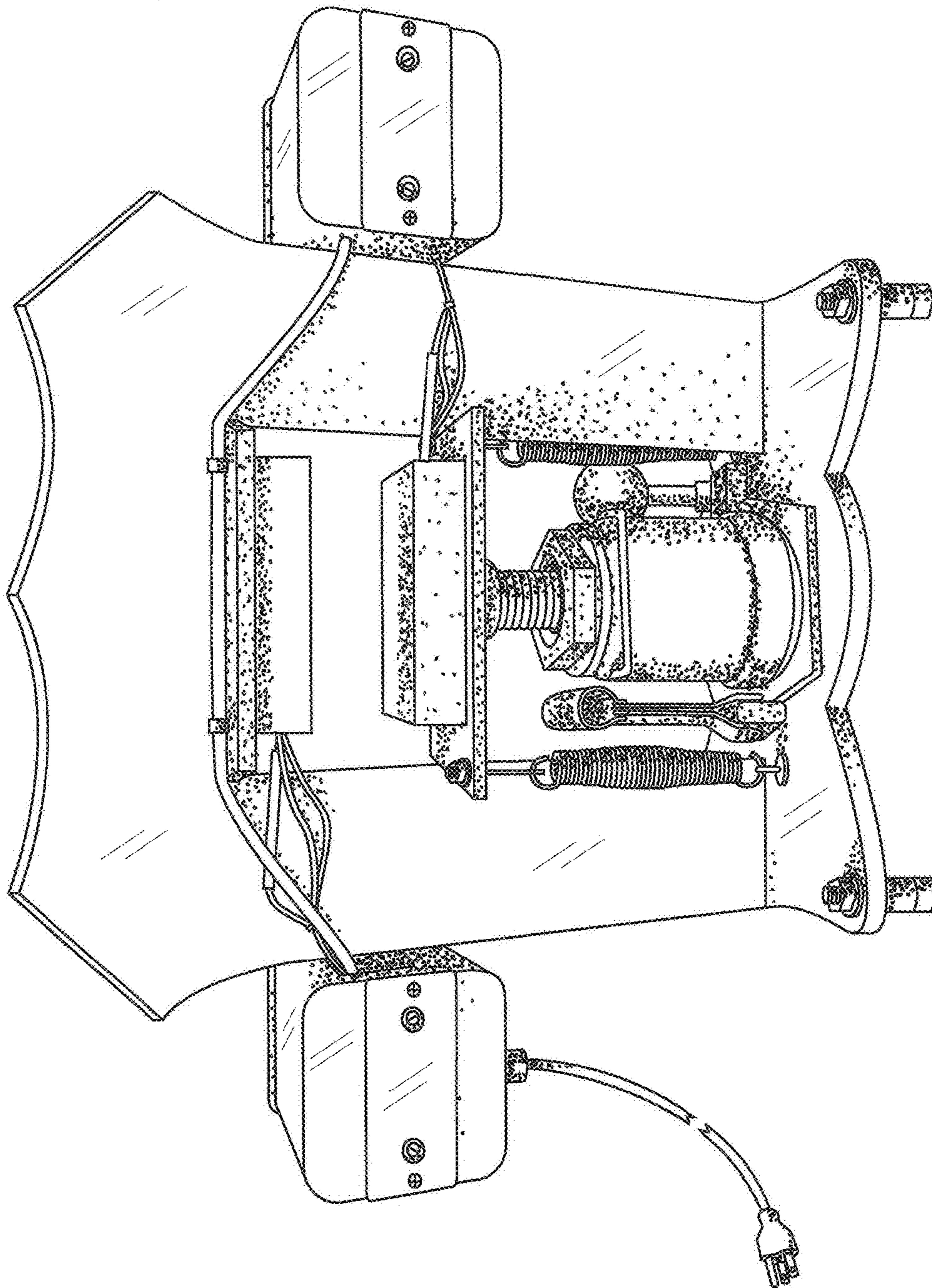


FIG. 2

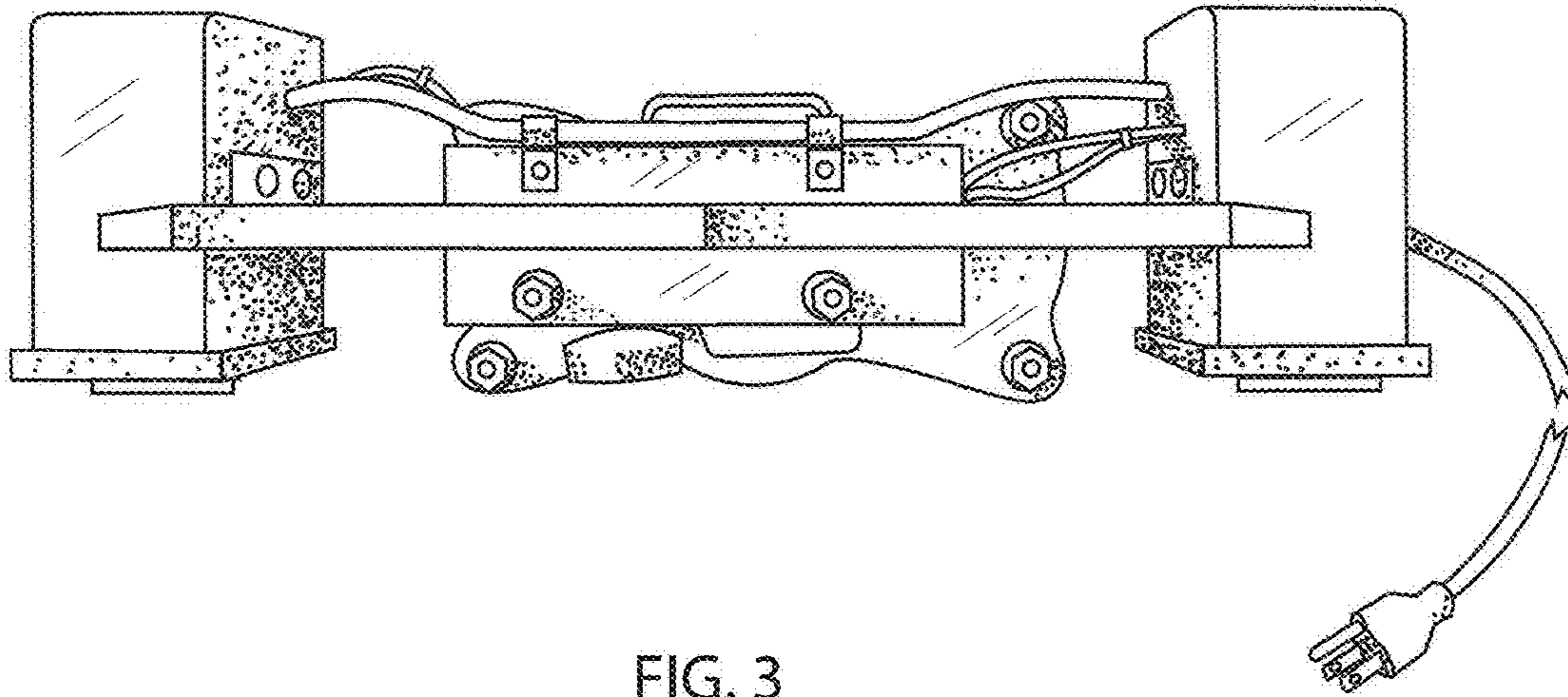


FIG. 3

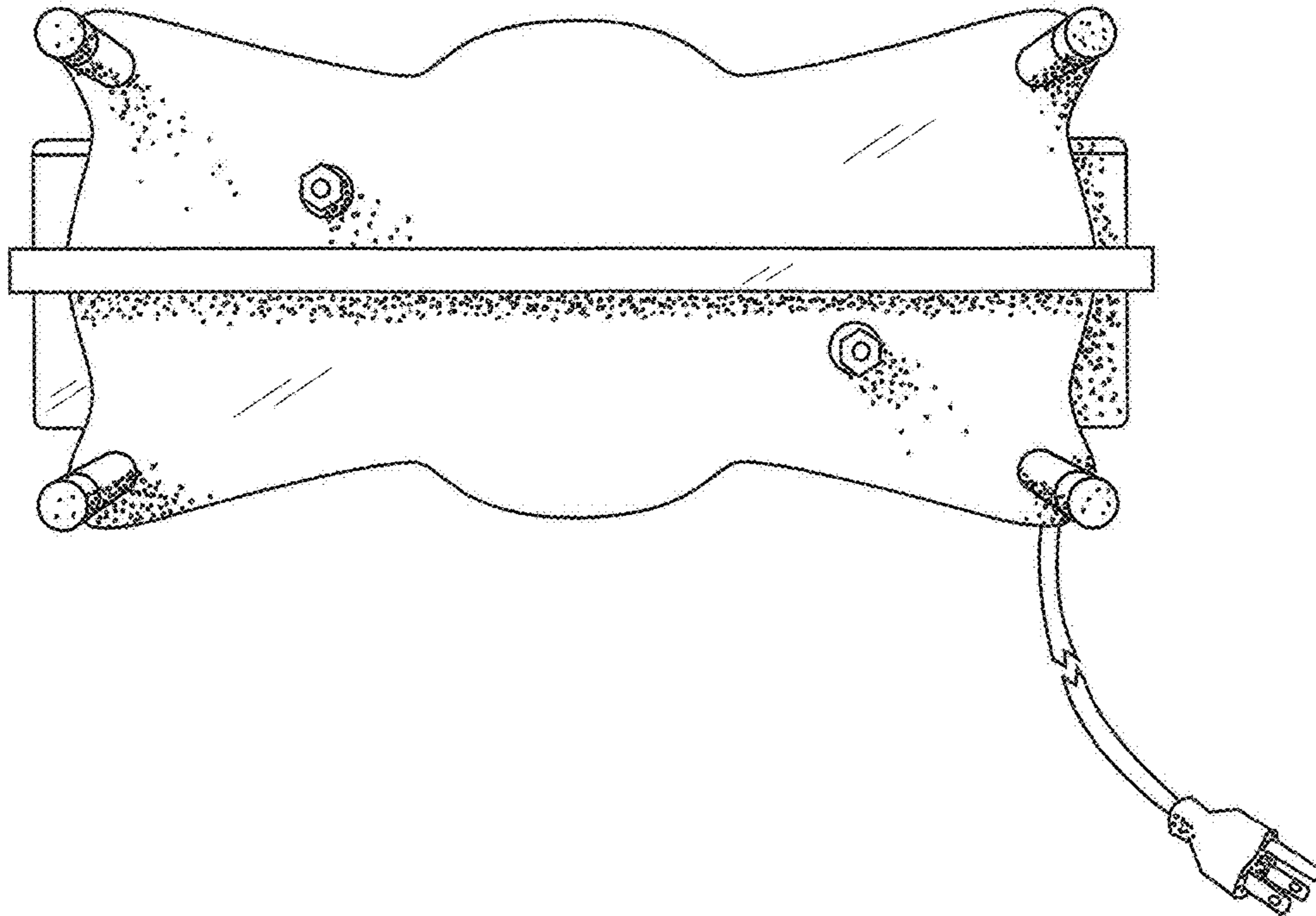


FIG. 4

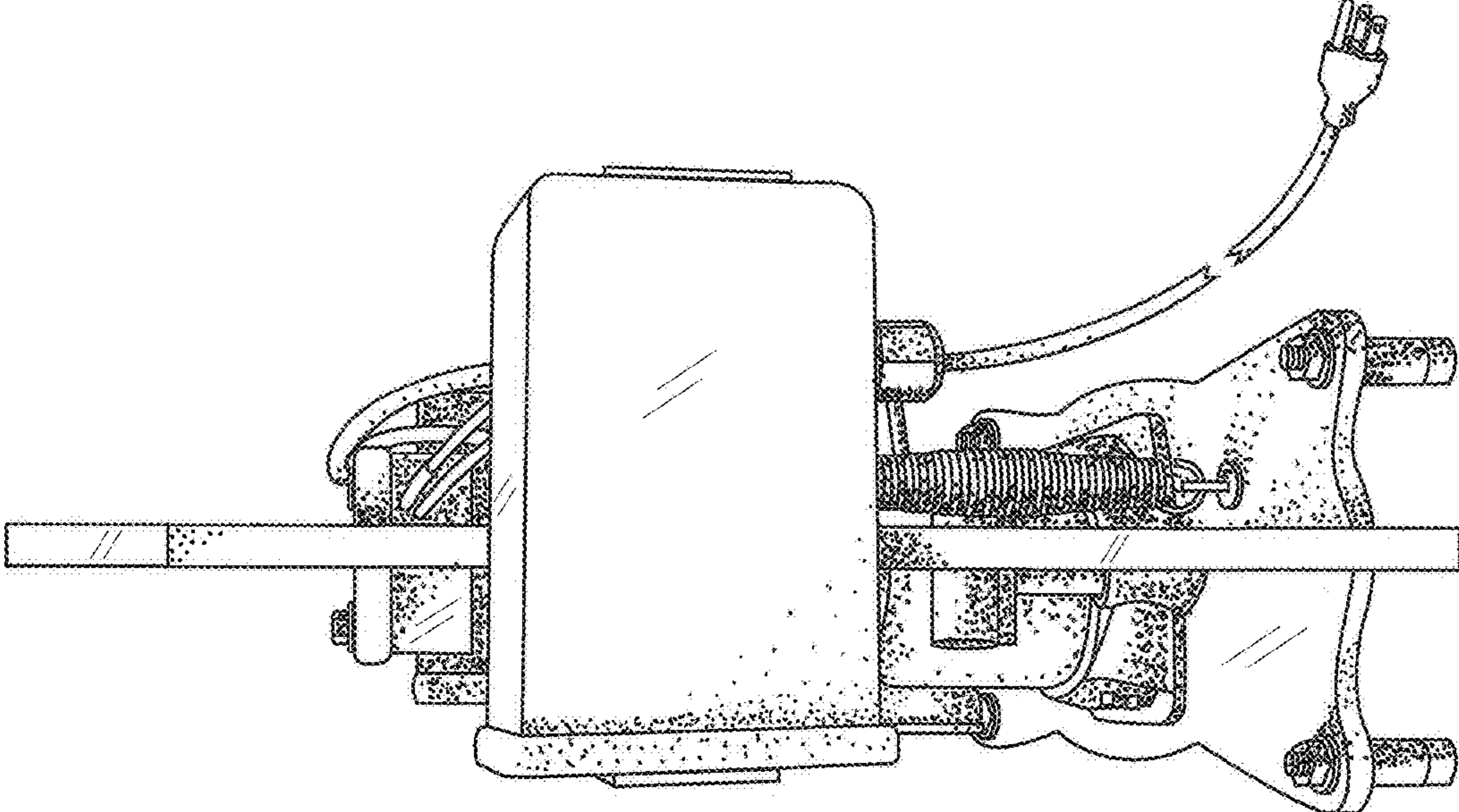


FIG. 5

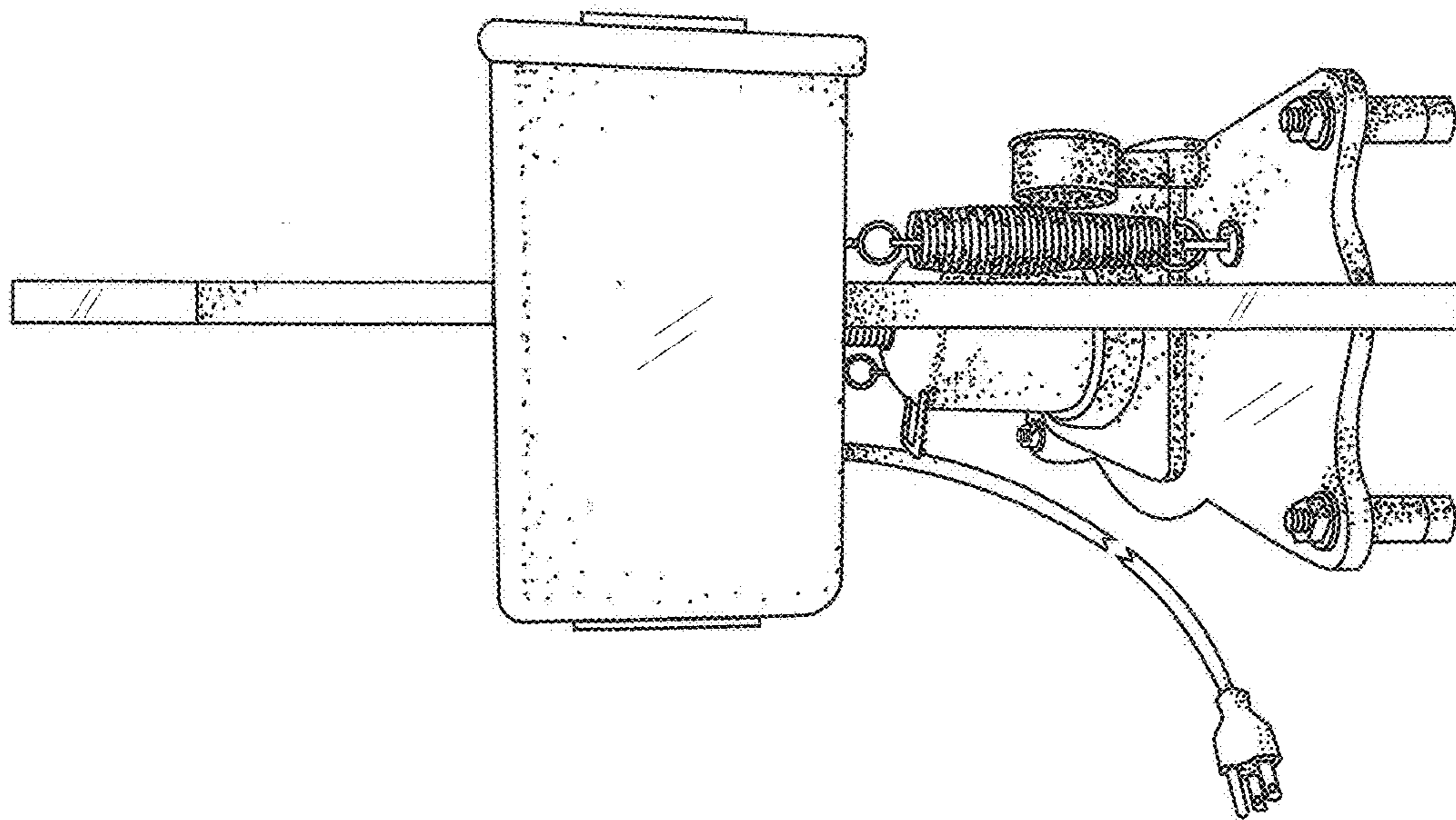


FIG. 6