



US00D857062S

(12) **United States Design Patent**
Lee et al.

(10) **Patent No.:** **US D857,062 S**

(45) **Date of Patent:** **** Aug. 20, 2019**

(54) **AIR MATTRESS CONTROL DEVICE**
(71) Applicant: **APEX MEDICAL CORP.**, New Taipei (TW)
(72) Inventors: **Pi-Kai Lee**, New Taipei (TW);
Yu-Chen Liu, New Taipei (TW);
Pei-Ming Chien, New Taipei (TW);
Chia-Wei Huang, New Taipei (TW)

6,467,111 B1 * 10/2002 Vrzalik A47C 27/00
5/423
D465,791 S * 11/2002 Moan D15/7
6,735,799 B1 * 5/2004 Ellis A61G 7/05776
5/713
D528,021 S * 9/2006 Hedderich D10/49
D540,820 S * 4/2007 Gilroy D15/7
D540,821 S * 4/2007 Gilroy D15/7
7,469,436 B2 * 12/2008 Meyer A61G 7/05715
5/690

(Continued)

(73) Assignee: **APEX MEDICAL CORP.**, New Taipei (TW)

(**) Term: **15 Years**

(21) Appl. No.: **29/647,176**

(22) Filed: **May 10, 2018**

(30) **Foreign Application Priority Data**

Nov. 13, 2017 (TW) 106306638

(51) **LOC (12) Cl.** **15-02**

(52) **U.S. Cl.**
USPC **D15/7; D13/162**

(58) **Field of Classification Search**
USPC D13/162, 199; D15/7, 9; D10/49;
D24/110; D23/356
CPC .. A61G 7/018; A61G 7/05769; A61B 5/7475;
A61H 2201/0146; F04B 49/00; F04B
49/08

See application file for complete search history.

(56) **References Cited**

U.S. PATENT DOCUMENTS

D256,230 S * 8/1980 Beale D13/164
D288,921 S * 3/1987 Peck D13/164
D390,236 S * 2/1998 Ashcraft D15/9
D421,298 S * 2/2000 Kenyon D24/110
D430,112 S * 8/2000 Krick D13/162
D435,021 S * 12/2000 Davis D13/162
6,206,654 B1 * 3/2001 Cassidy A47C 27/082
417/312
D457,501 S * 5/2002 Wu D13/162

OTHER PUBLICATIONS

K-4 Elite Digital Alternating True Low Air Loss System, prior to May 10, 2018; 1 pg.; https://www.google.com/search?q=control+panel+for+air+mattress&hl=en&biw=960&bih=508&source=Int&tbs=cdr%3A1%2Ccd_min%3A%2Ccd_max%3A5%2F10%2F2018&tbm=isch#imgcr=_&spf=1556647742403.*
Salute RDX Air Mattress, prior to May 10, 2018; 1 pg.; https://www.google.com/search?q=control+panel+for+air+mattress&hl=en&biw=960&bih=508&source=Int&tbs=cdr%3A1%2Ccd_min%3A%2Ccd_max%3A5%2F10%2F2018&tbm=isch#imgdii=mN0hq0yT4eoVDM:&imgcr=vWeyFnhSbucYxM:&spf=1556647742403.*

(Continued)

Primary Examiner — Selina Sikder
(74) *Attorney, Agent, or Firm* — WPAT, PC

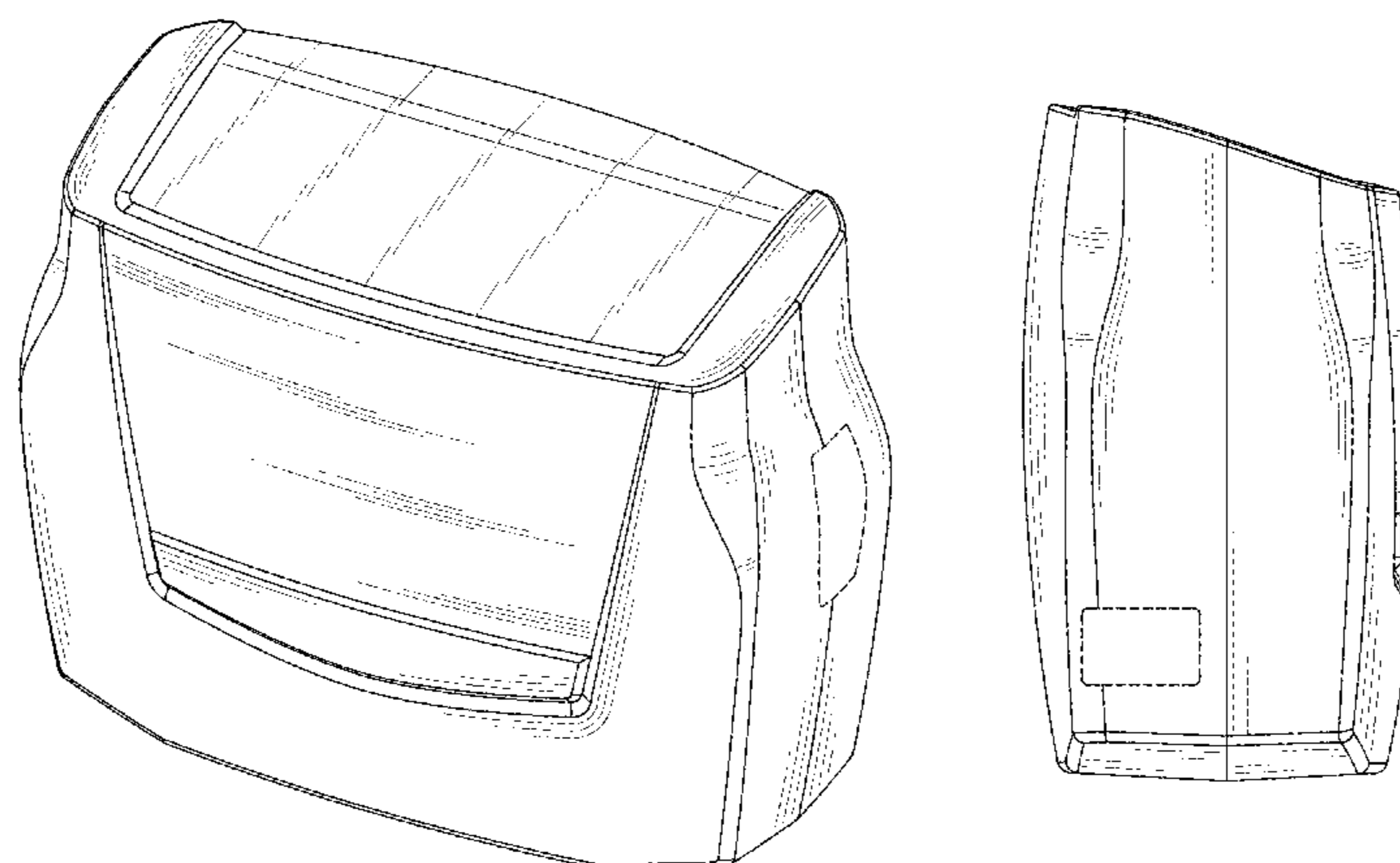
(57) **CLAIM**

The ornamental design for an air mattress control device, as shown and described.

DESCRIPTION

FIG. 1 is a front perspective view of an air mattress control device showing my new design;
FIG. 2 is a front view thereof;
FIG. 3 is a rear view thereof;
FIG. 4 is a left side view thereof;
FIG. 5 is a right side view thereof;
FIG. 6 is a top view thereof; and,
FIG. 7 is a bottom view thereof.
The broken lines represent environmental structure or portions of the air mattress control device and do not form a portion of the claimed design.

1 Claim, 7 Drawing Sheets



(56)

References Cited

U.S. PATENT DOCUMENTS

D588,160 S * 3/2009 Beale D15/7
 D623,199 S * 9/2010 Tu D15/7
 D624,093 S * 9/2010 Lu D15/7
 7,849,545 B2 * 12/2010 Flocard A61B 5/6891
 5/600
 D635,588 S * 4/2011 Sprules D15/7
 D644,250 S * 8/2011 Barber D15/7
 D675,730 S * 2/2013 Lithgow D24/110
 D695,234 S * 12/2013 Santiago D13/162
 D777,119 S * 1/2017 Lin D13/164
 D810,145 S * 2/2018 Sinico D15/7
 10,052,249 B2 * 8/2018 Elliott G06F 19/00
 2008/0263763 A1 * 10/2008 Butler A61G 7/001
 5/81.1 R
 2010/0247337 A1 * 9/2010 Tsai A47C 27/082
 417/239
 2010/0247356 A1 * 9/2010 Tsai A47C 27/082
 417/423.14
 2012/0194436 A1 * 8/2012 Thodupunuri A61B 5/1115
 345/168
 2017/0159651 A1 * 6/2017 Shih F04B 49/08
 2017/0209323 A1 * 7/2017 Kelch A61G 7/018

OTHER PUBLICATIONS

True Source Technology, Taiwan TS-708; prior to May 10, 2018; 1 pg.; https://www.google.com/search?q=control+panel+for+air+mattress&hl=en&biw=960&bih=508&source=Int&tbs=cdr%3A1%2Ccd_min%3A%2Ccd_max%3A5%2F10%2F2018&tbm=isch#imgc=iGB9p7xIzYGFDM:&spf=1556647742408.*
 Linet Antidecubitus system, prior to May 10, 2018; 1 pg.; https://www.google.com/search?q=control+panel+for+air+mattress&hl=en&biw=960&bih=508&source=Int&tbs=cdr%3A1%2Ccd_min%3A%2Ccd_max%3A5%2F10%2F2018&tbm=isch#imgc=943ujxK2JXkvzM:&spf=1556647742411.*
 Span America, Digital Multi-function Control Unit, prior to May 10, 2018, 1 pg.; https://www.google.com/search?hl=en&biw=960&bih=508&tbs=cdr%3A1%2Ccd_max%3A5%2F10%2F2018&tbm=isch&sa=1&ei=Po_IXLuJH8mzgg6tprQCg&q=+air+mattress+control+unit&oq=+air+mattress+control+unit&gs_l=img.12...5852980.5856828..5859862...0.*
 Novis, Premium Digital Control Unit, prior to May 10, 2018, 1 pg.; https://www.google.com/search?hl=en&biw=960&bih=508&tbs=cdr%3A1%2Ccd_max%3A5%2F10%2F2018&tbm=isch&sa=1&ei=Lb7IXPe1CvGg_Qa7kqiQDQ&q=digital+air+mattress+control+pump&oq=digital+air+mattress+control+pump&gs_l=img.12...77160.80517..82327...0.0..0.*

* cited by examiner

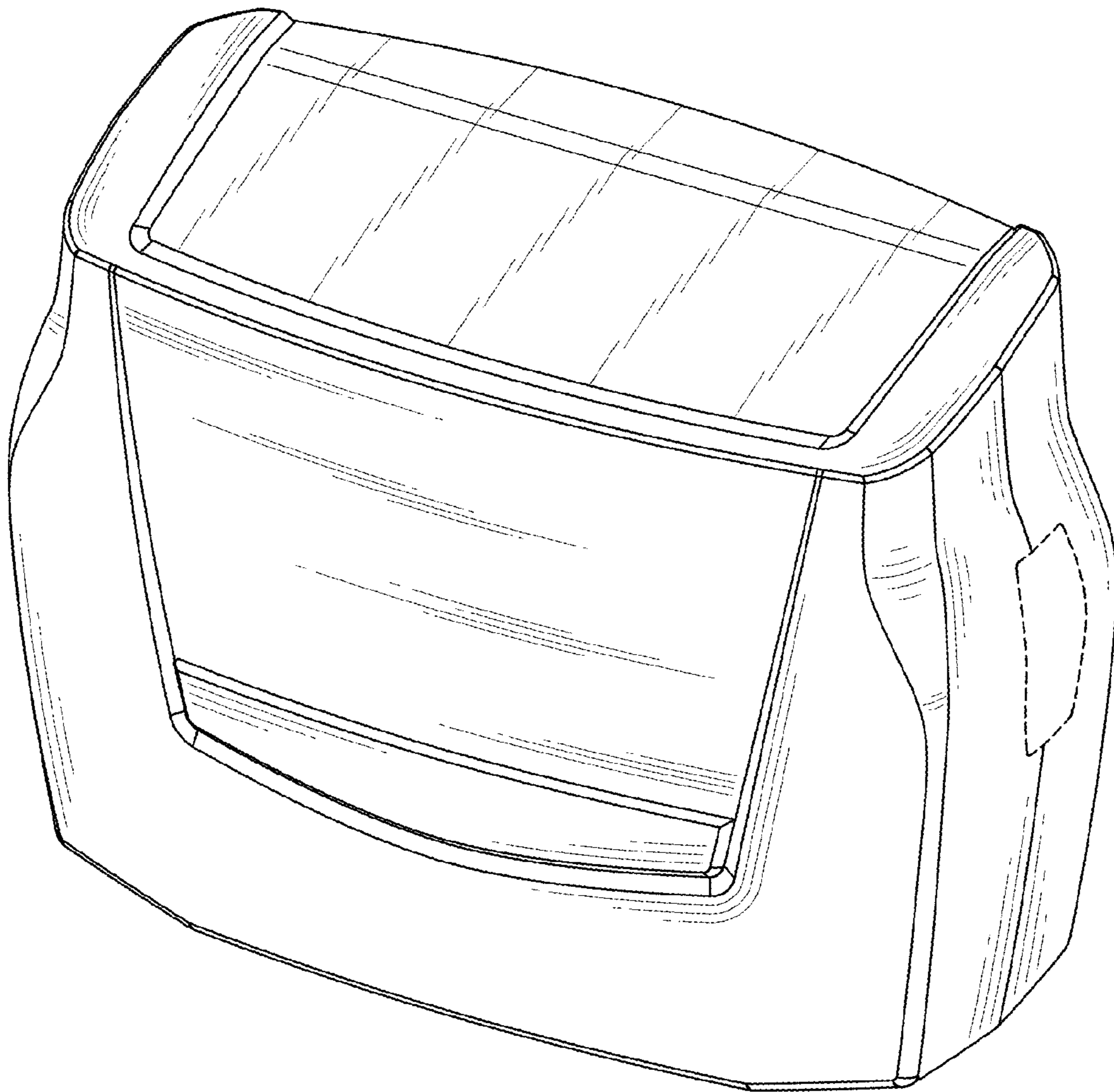


FIG. 1

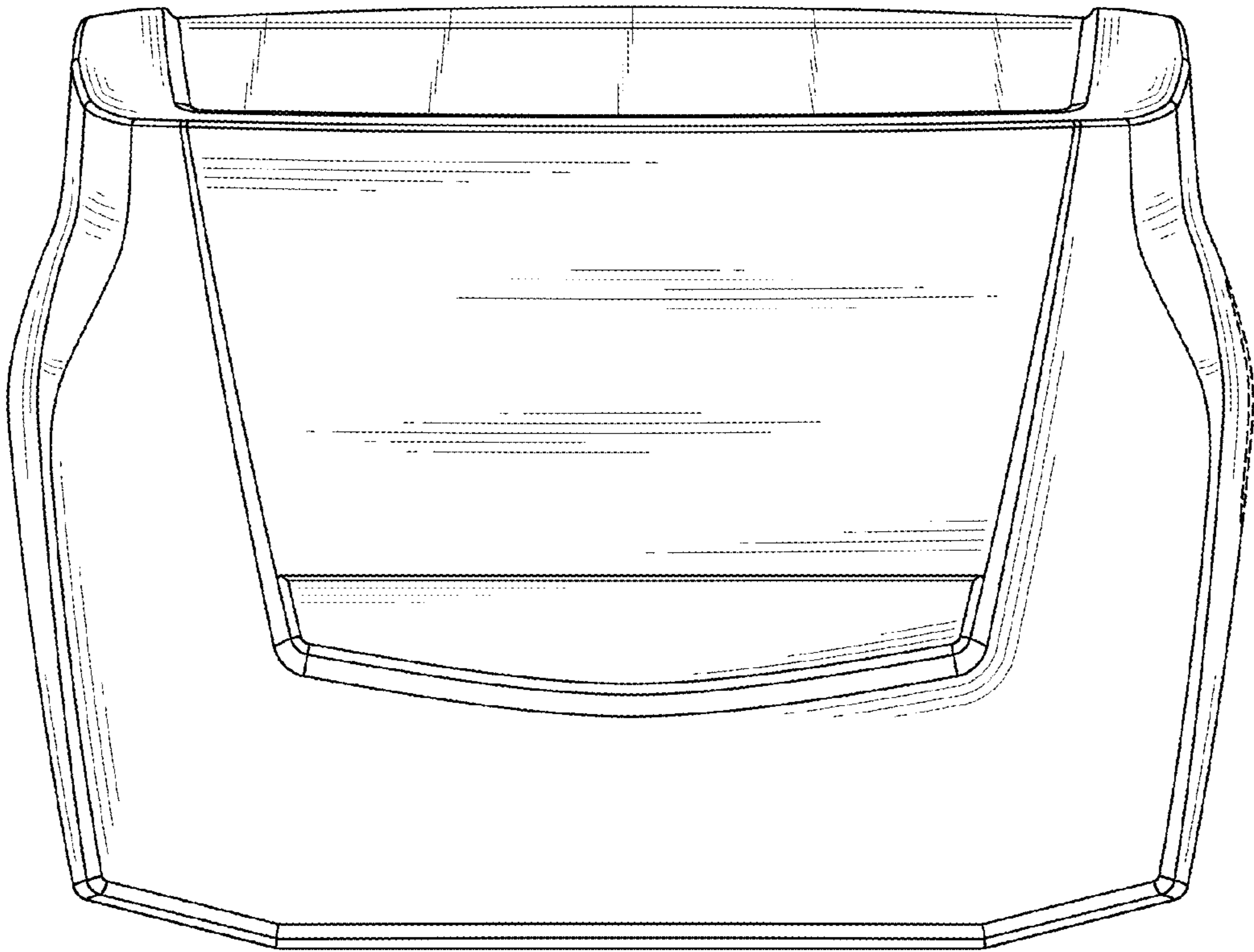


FIG. 2

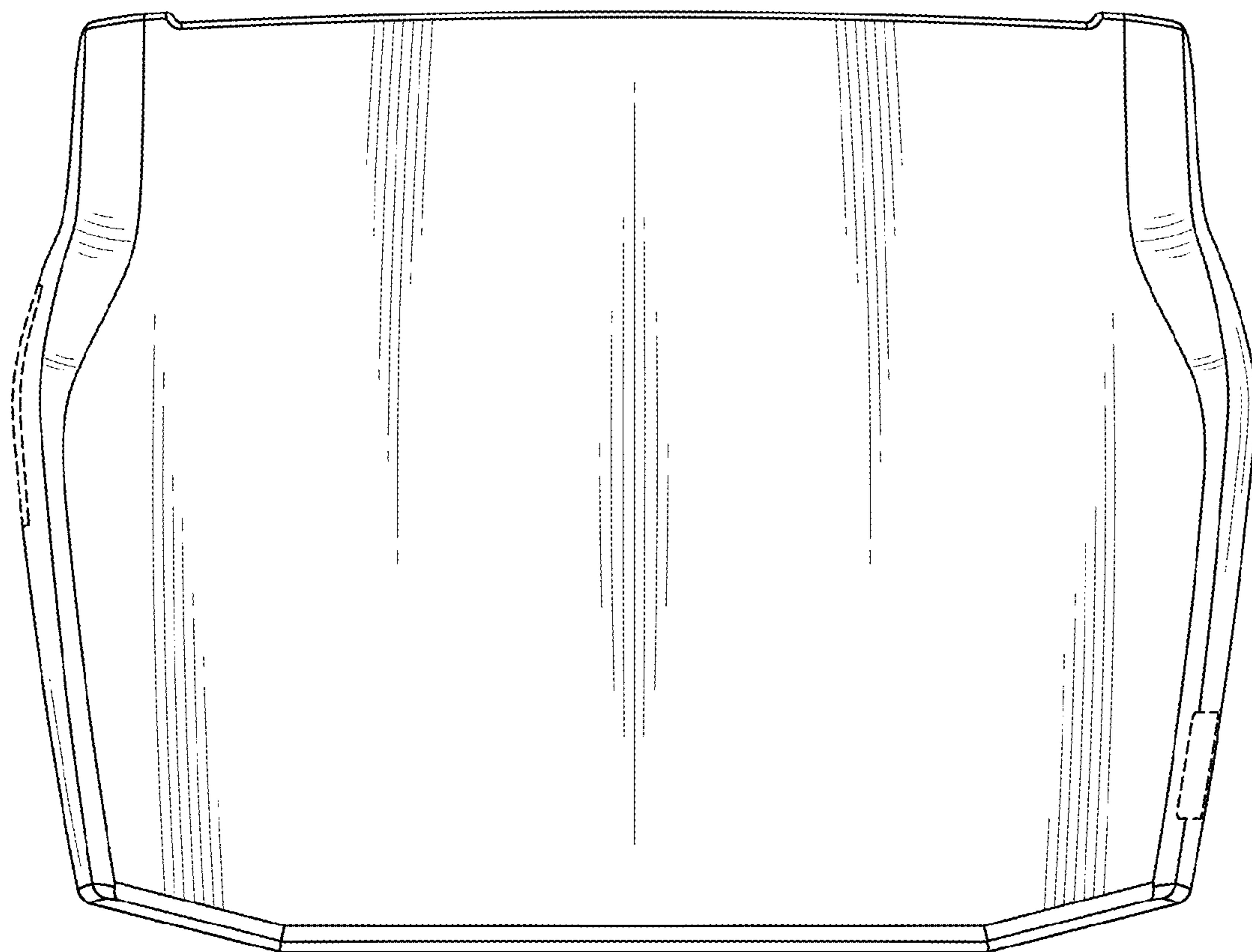


FIG. 3

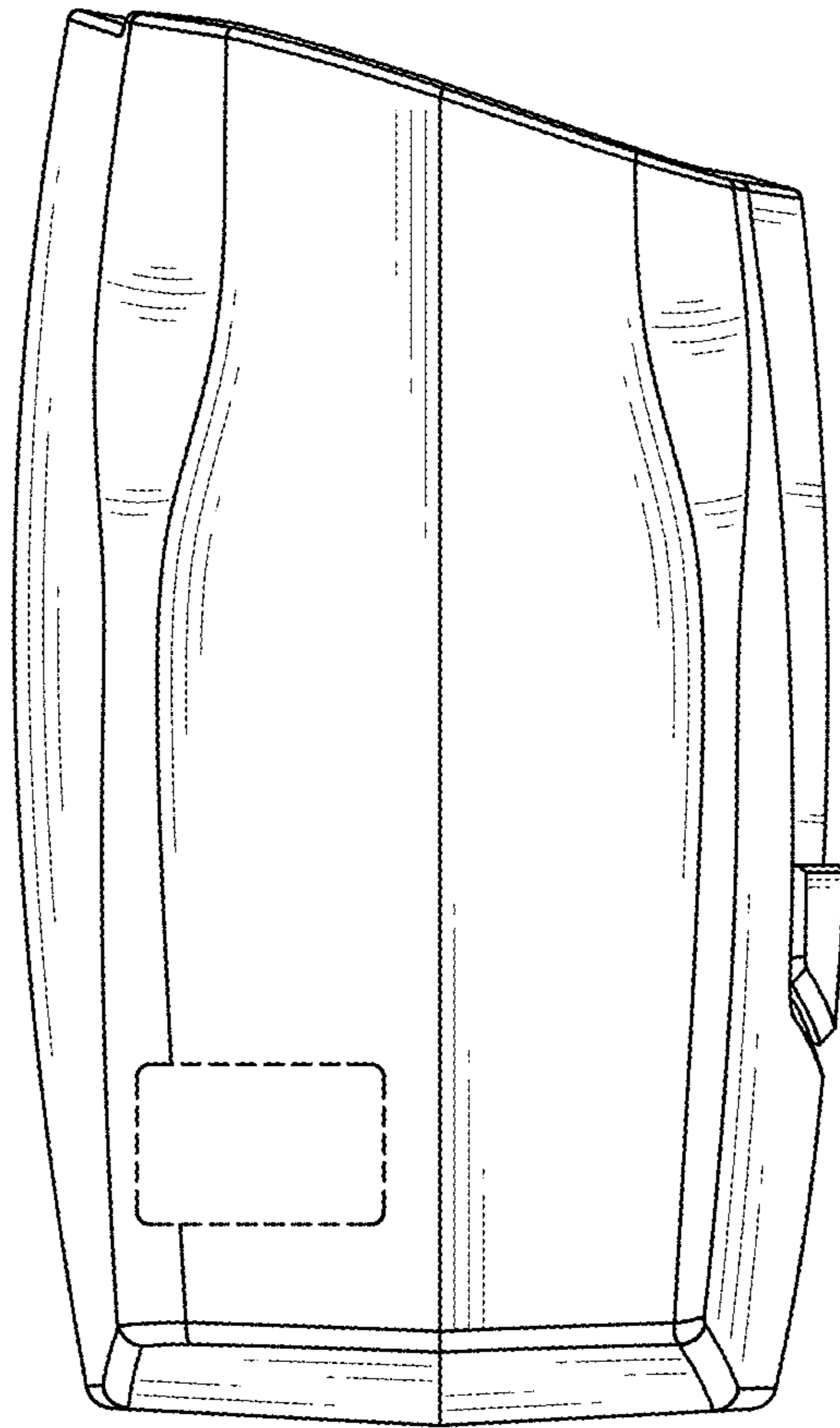


FIG. 4

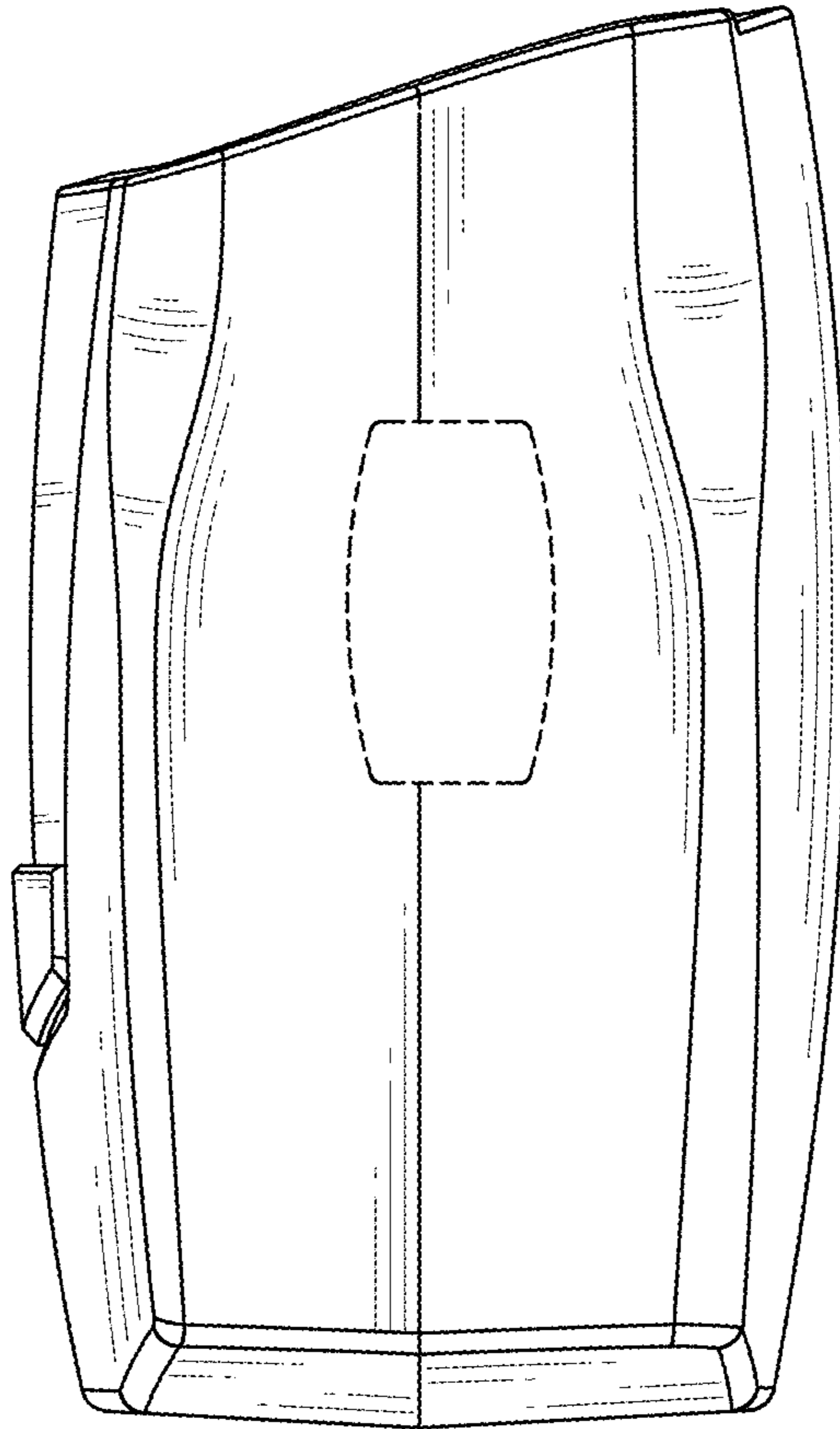


FIG. 5

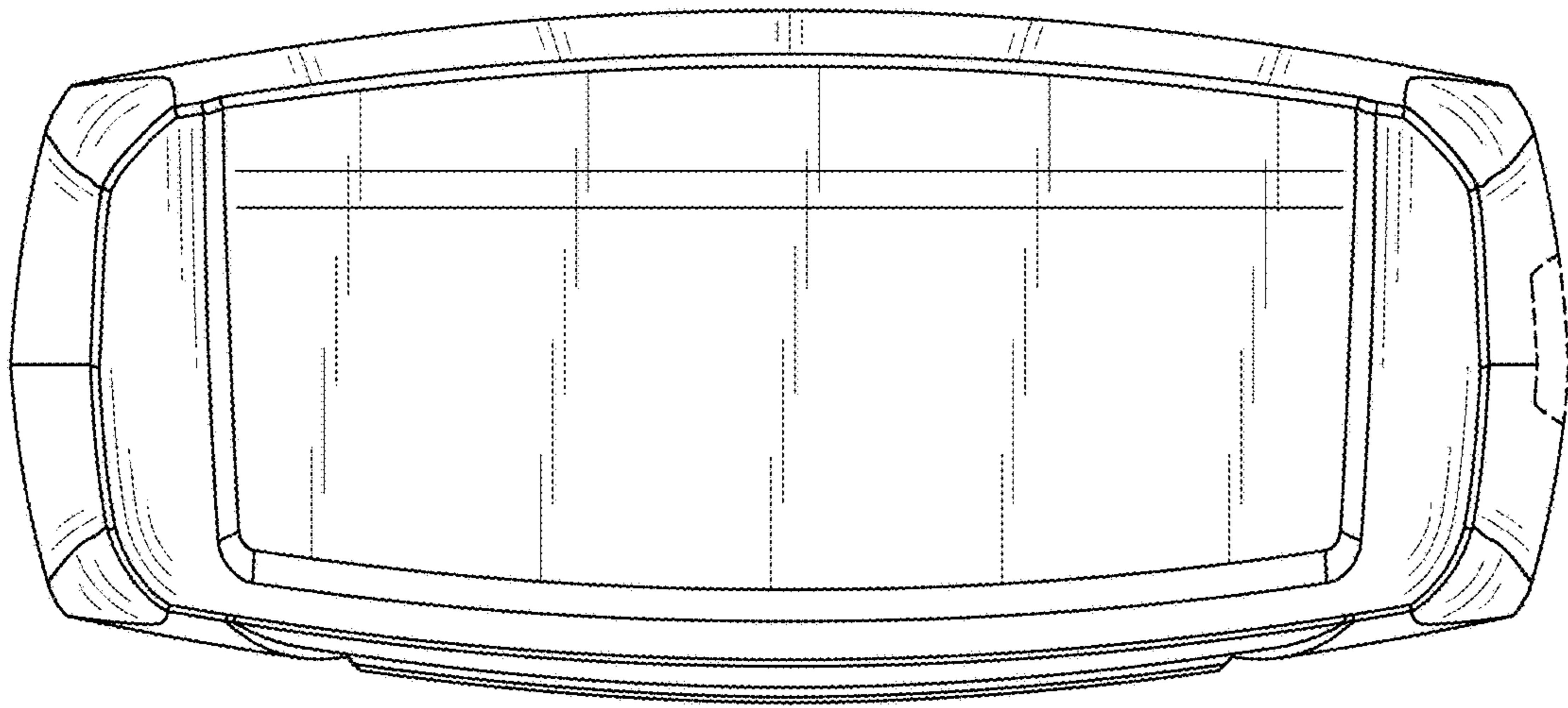


FIG. 6

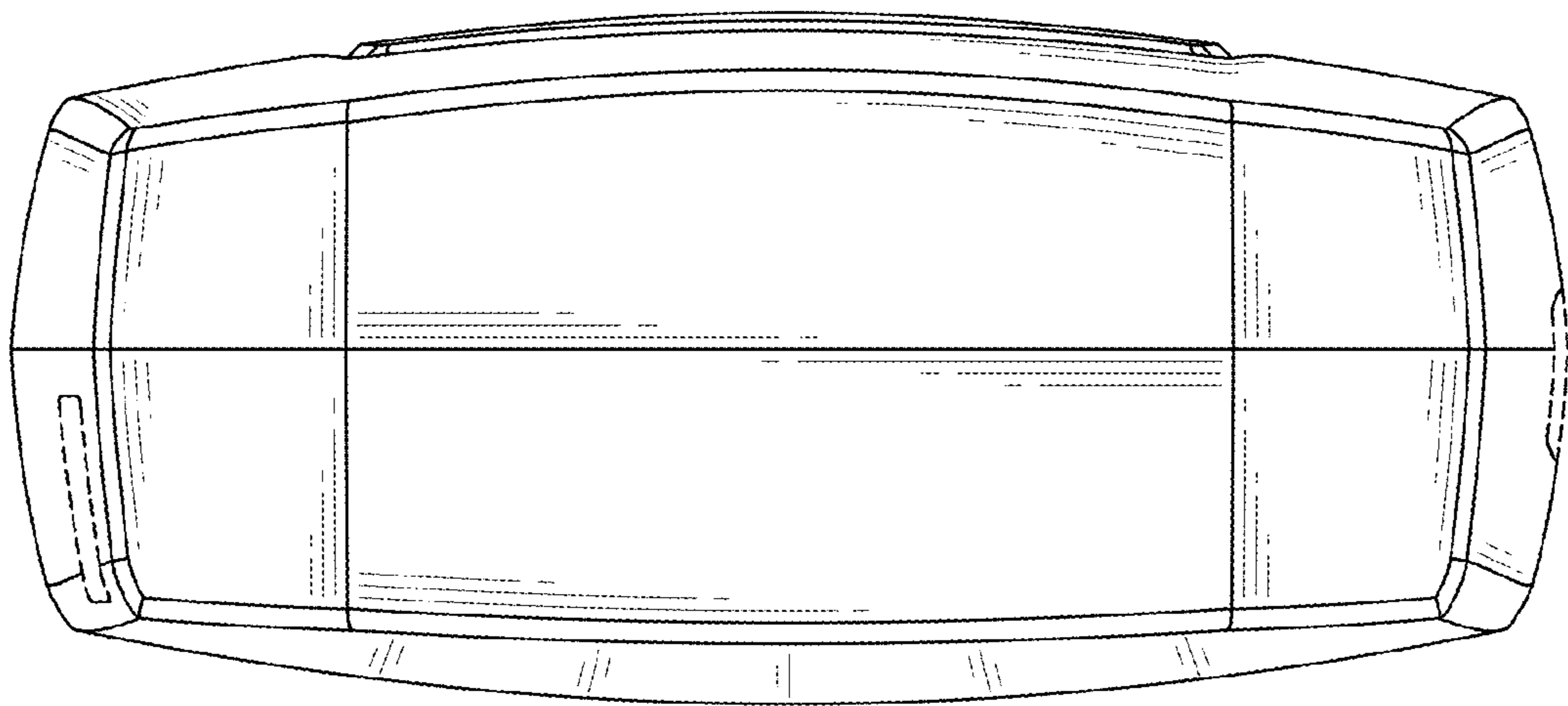


FIG. 7