



US00D857061S

(12) **United States Design Patent**
Huang

(10) **Patent No.:** **US D857,061 S**

(45) **Date of Patent:** **** Aug. 20, 2019**

(54) **COVER STRUCTURE OF A WASHER PUMP**

(71) Applicant: **Tsung-Chen Huang**, Puxin Township,
Changhua County (TW)

(72) Inventor: **Tsung-Chen Huang**, Puxin Township,
Changhua County (TW)

(**) Term: **15 Years**

(21) Appl. No.: **29/623,994**

(22) Filed: **Oct. 29, 2017**

(51) **LOC (12) Cl.** **15-03**

(52) **U.S. Cl.**
USPC **D15/7**

(58) **Field of Classification Search**
USPC D15/7-9; D23/231, 232, 225; 417/60,
417/235, 265, 321, 355, 358, 363, 359,
417/410.1, 415-416, 405, 900, 88, 89, 91,
417/269, 539; 60/408, 412; 184/26-37;
415/140-147, 214.1; 123/495, 509;
4/541.1
CPC F02M 37/04; F02M 37/14; F04B 53/92;
F04B 1/005; F04D 13/02; F04D 13/06;
F04D 29/22; F04D 29/046; F04D
29/2266

See application file for complete search history.

(56) **References Cited**

U.S. PATENT DOCUMENTS

D436,603 S * 1/2001 Mackie D15/9
D575,802 S * 8/2008 Chu D15/9

D589,060 S * 3/2009 Metcalfe D15/7
D602,501 S * 10/2009 Ton D15/7
D611,504 S * 3/2010 Ton D15/7
D622,736 S * 8/2010 Le D15/7
D696,642 S * 12/2013 Jia D14/155
D698,368 S * 1/2014 Le D15/7
D744,003 S * 11/2015 Ton D15/7
D788,180 S * 5/2017 Mantes D15/7
D819,085 S * 5/2018 Ferguson D15/7

* cited by examiner

Primary Examiner — Khawaja Anwar

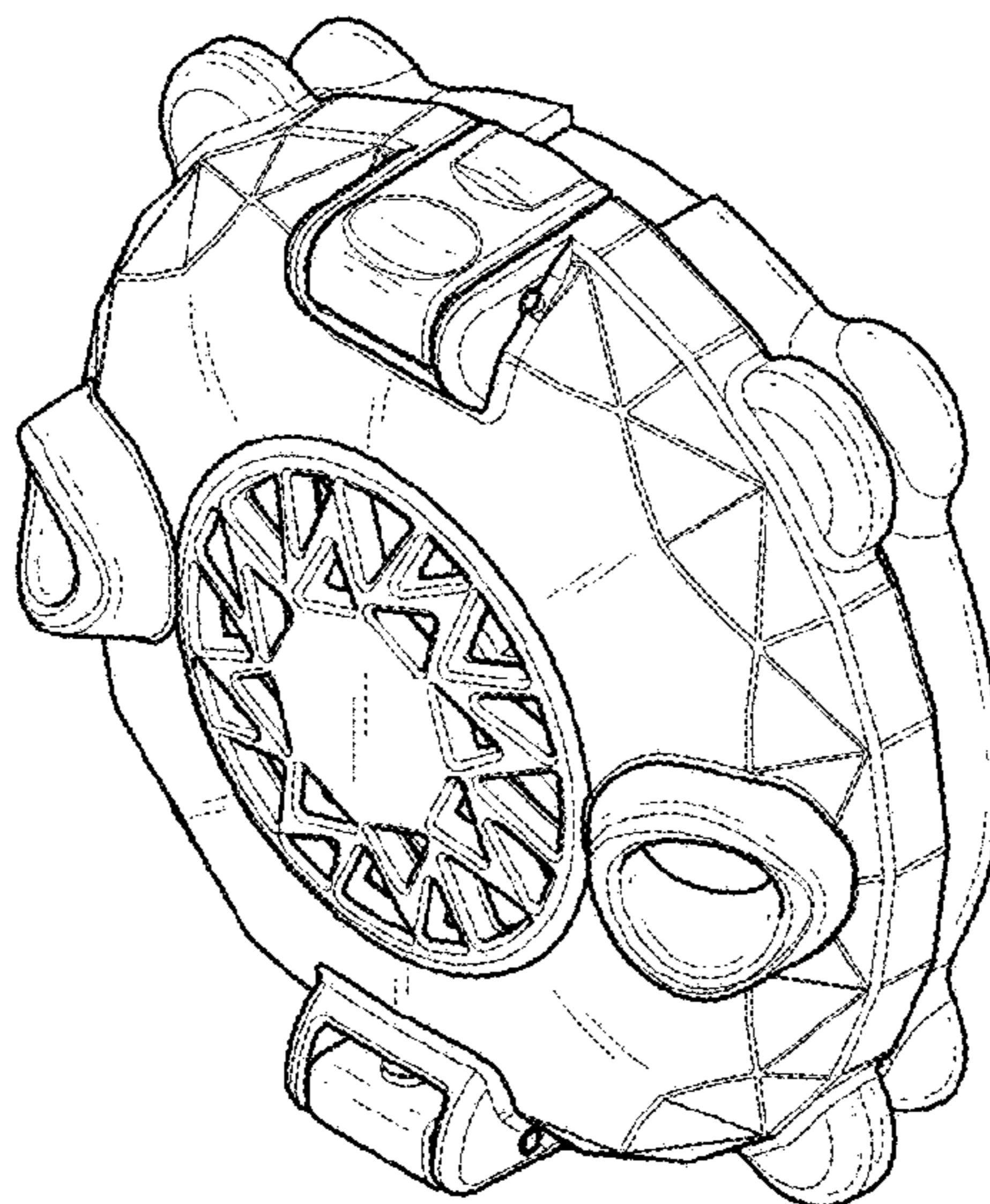
(57) **CLAIM**

The ornamental design for a cover structure of a washer pump, as shown and described.

DESCRIPTION

FIG. 1 is a perspective view of a cover structure of a washer pump showing my new design;
FIG. 2 is a front elevational view thereof;
FIG. 3 is a rear elevational view thereof;
FIG. 4 is a left side elevational view thereof;
FIG. 5 is a right side elevational view thereof;
FIG. 6 is a top plan view thereof; and,
FIG. 7 is a bottom plan view thereof.
The broken lines are included for the purpose of illustrating portions of the cover structure of a washer pump that form no part of the claimed design.

1 Claim, 4 Drawing Sheets



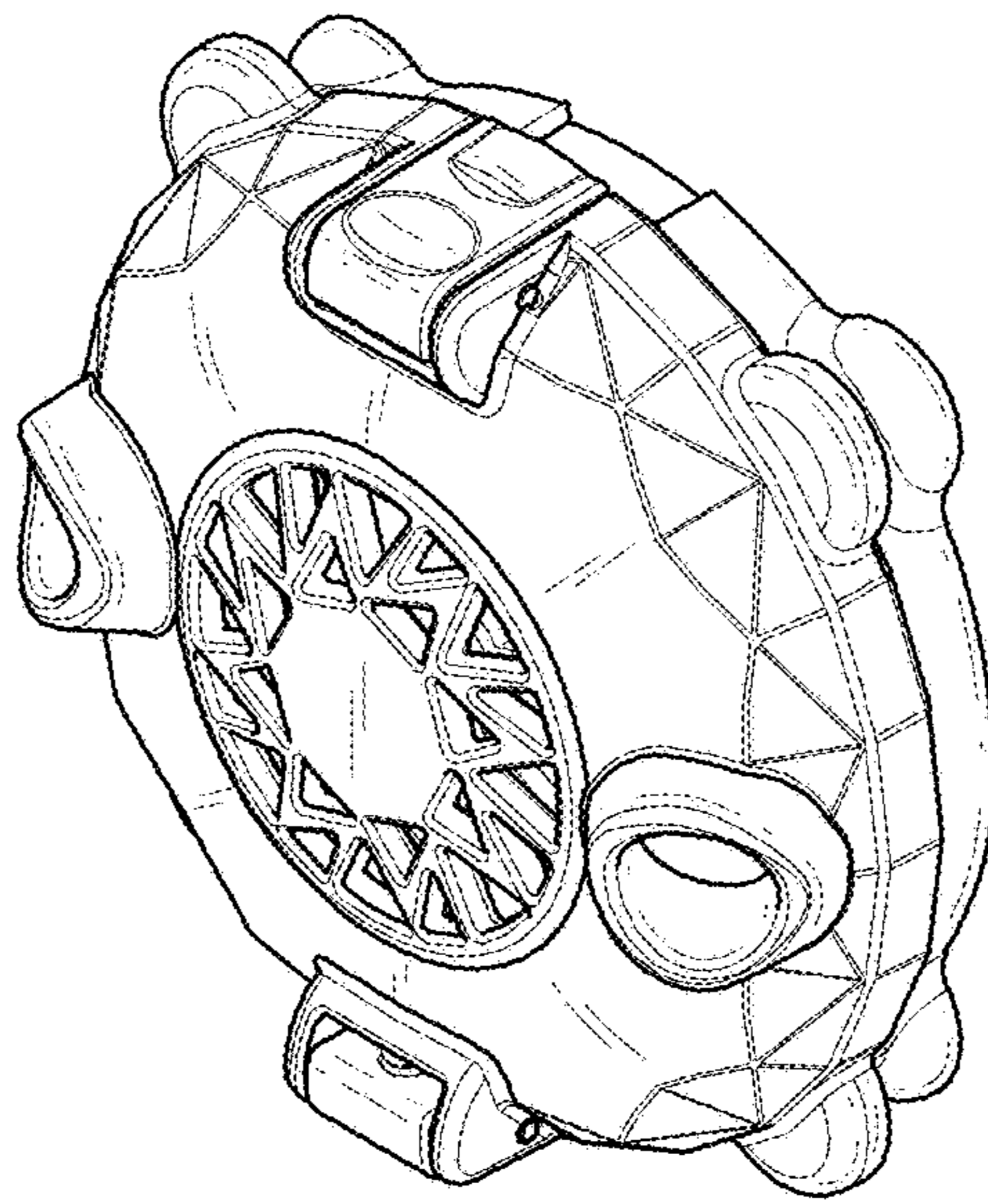


FIG. 1

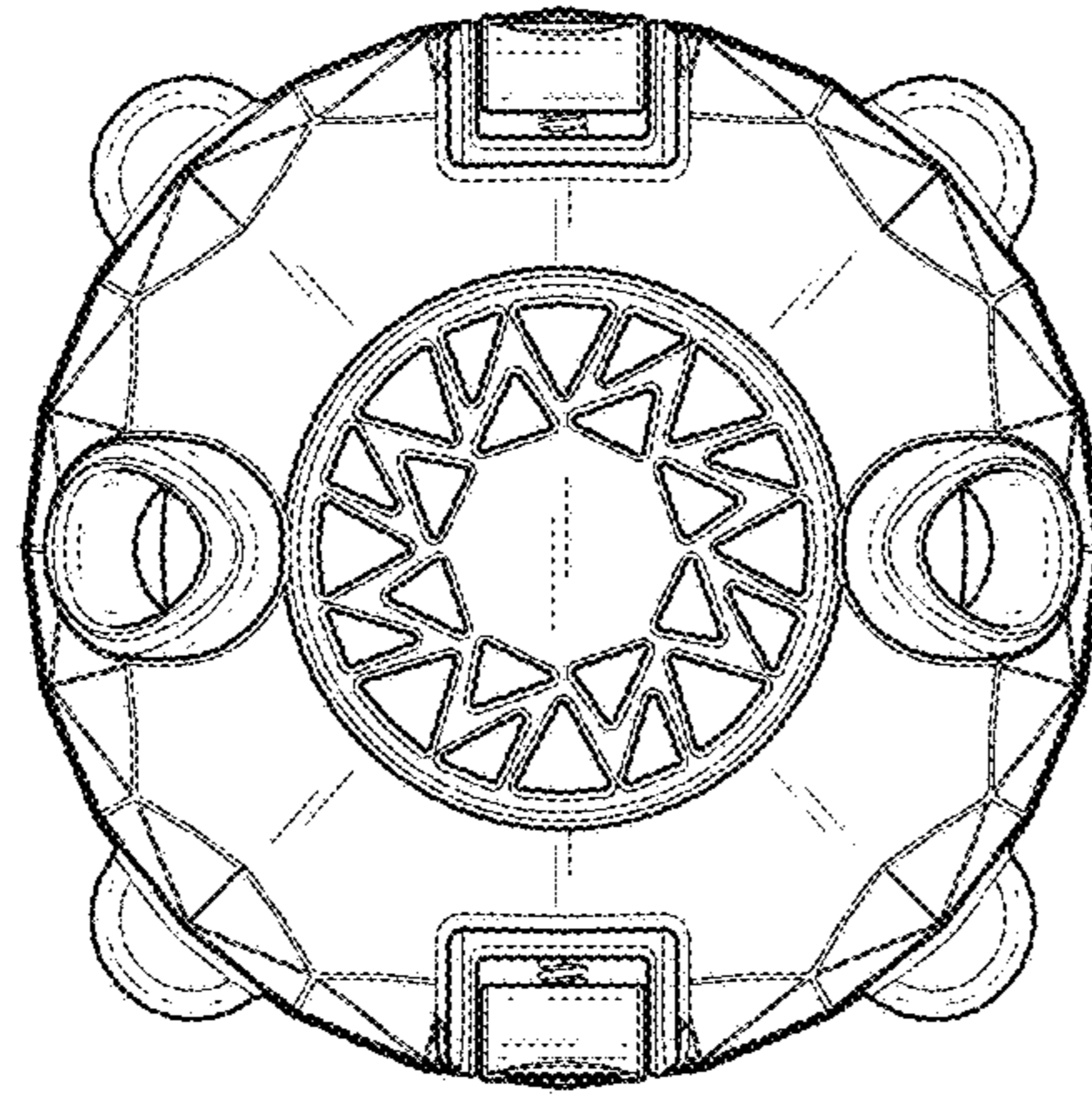


FIG. 2

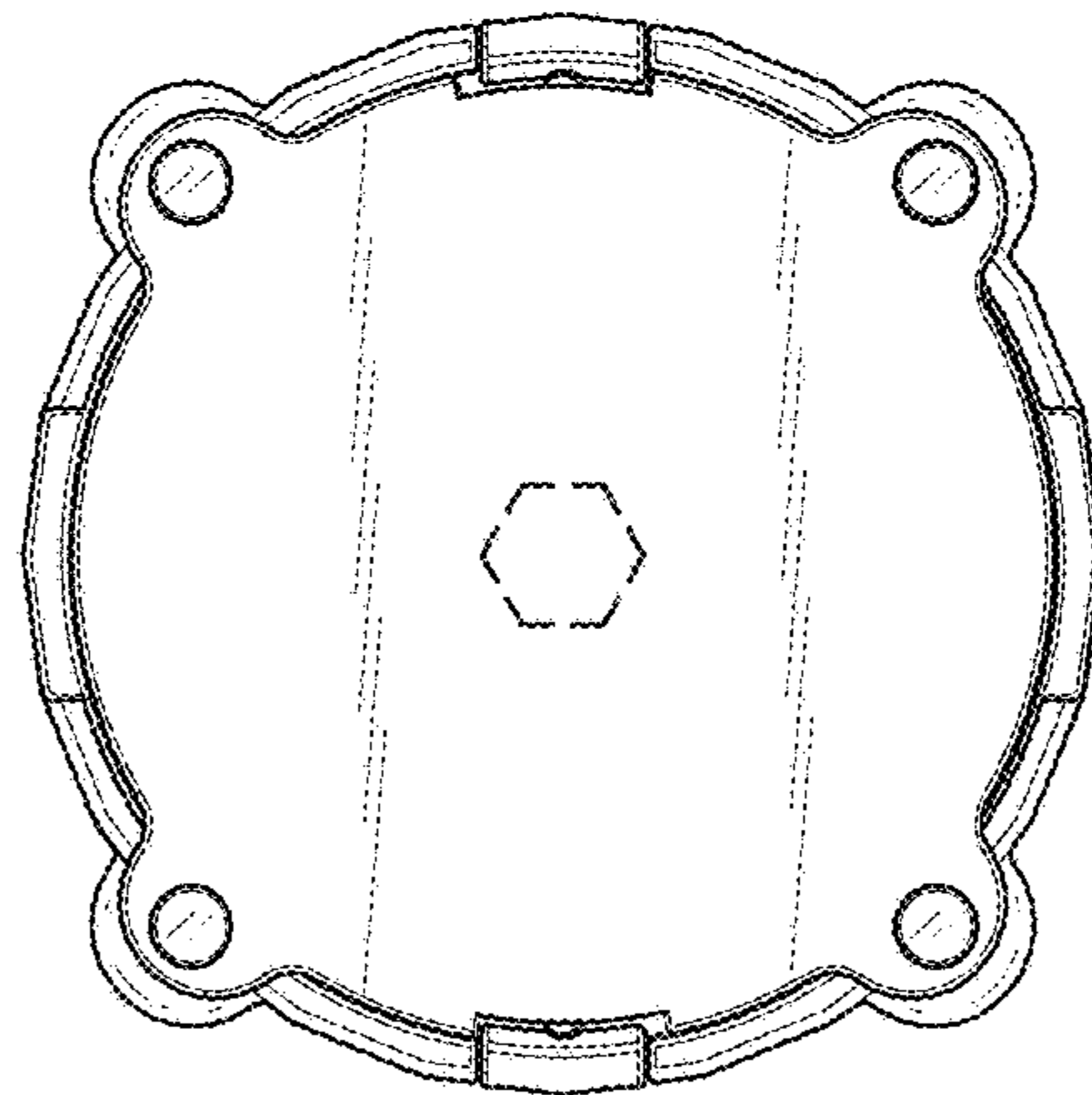


FIG. 3

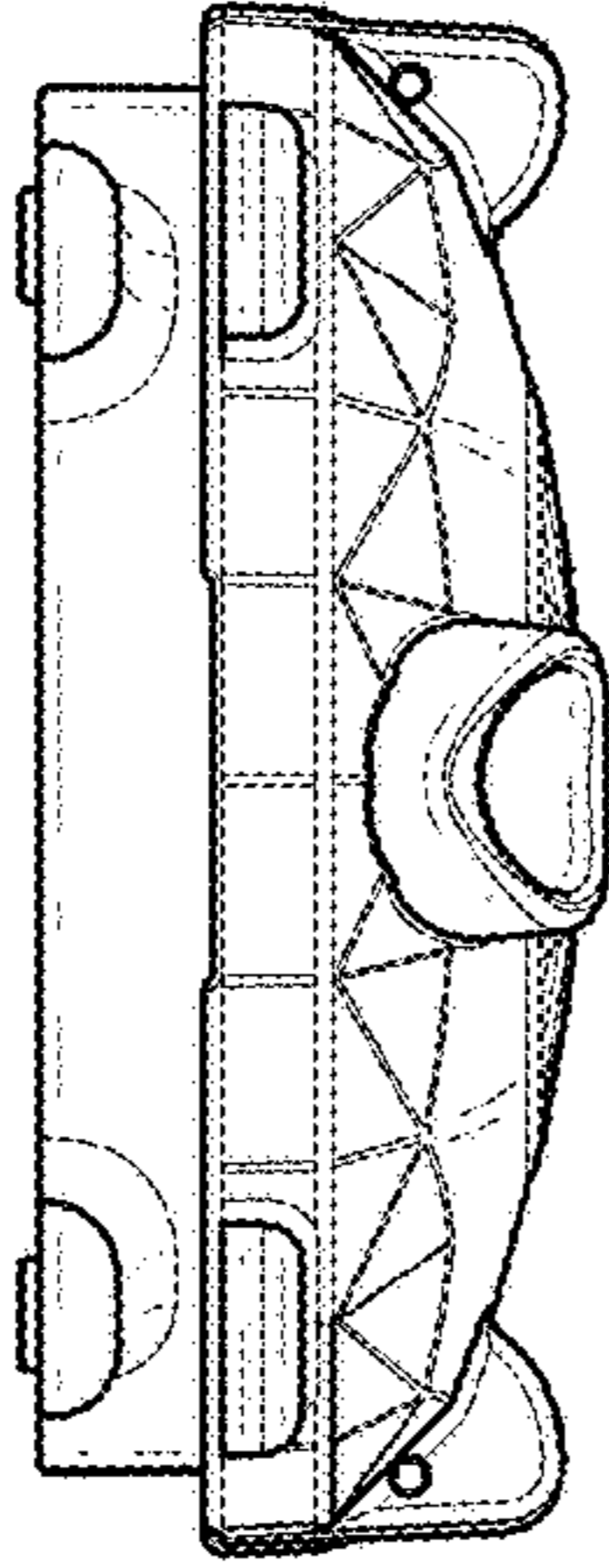


FIG. 4

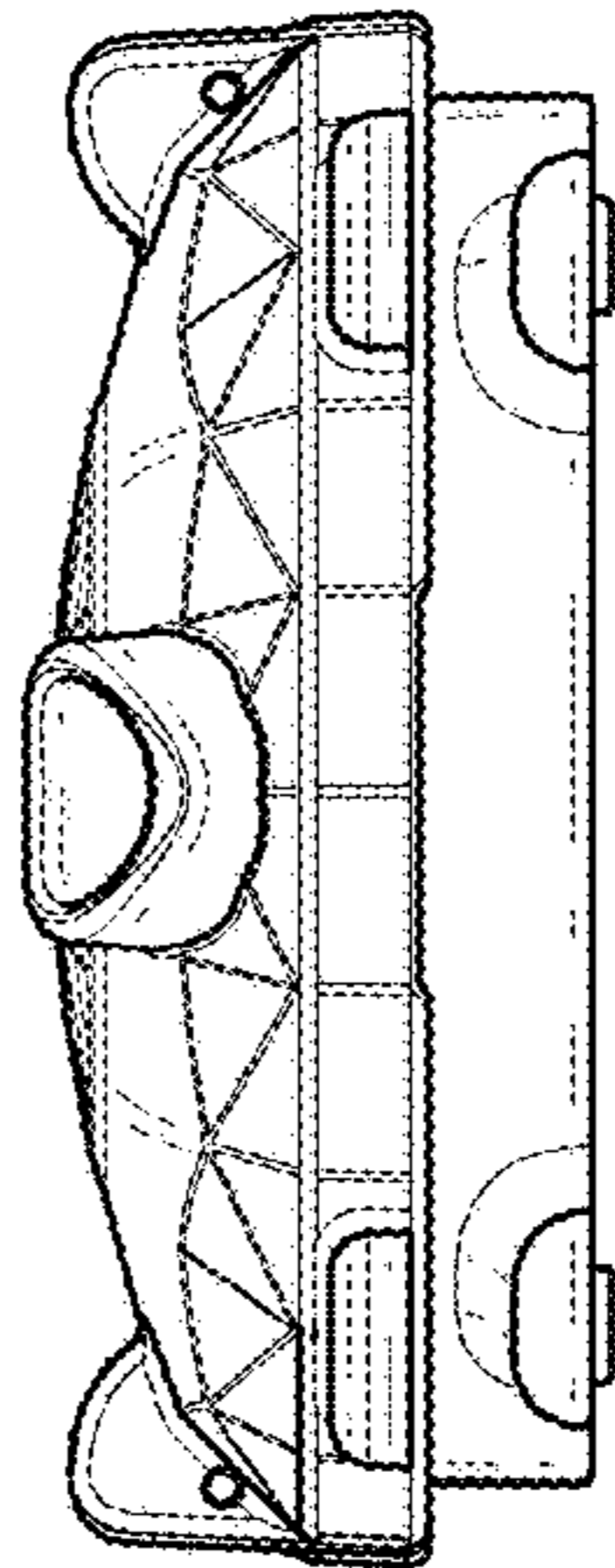


FIG. 5

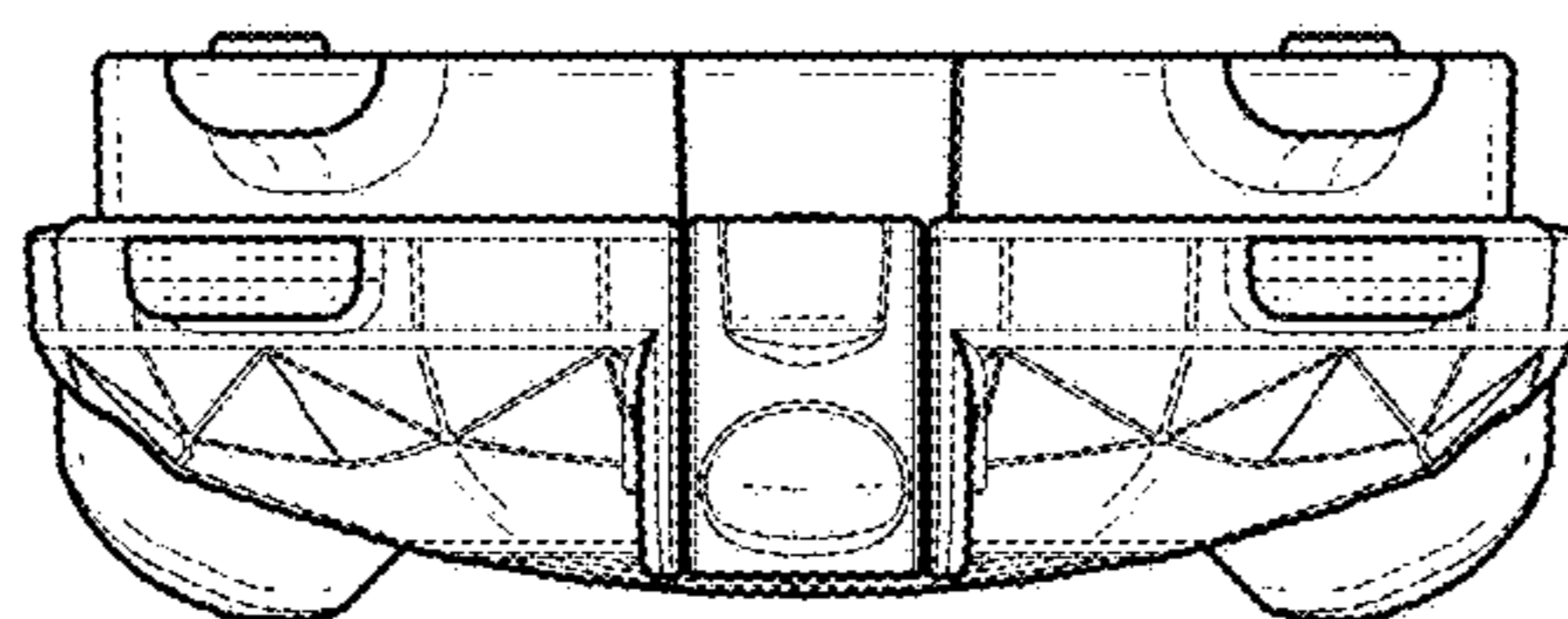


FIG. 6

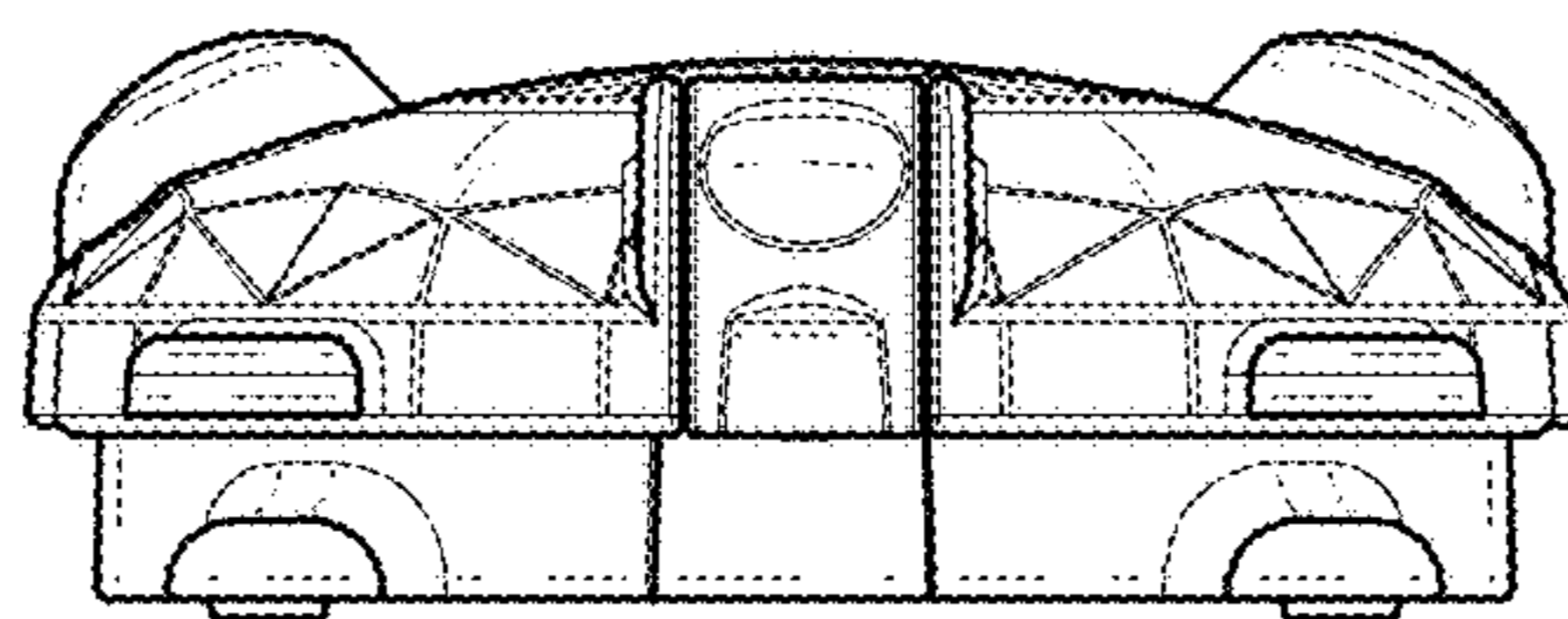


FIG. 7