

US00D857046S

(12) **United States Design Patent** (10) **Patent No.:** **US D857,046 S**
Huang et al. (45) **Date of Patent:** **** Aug. 20, 2019**

(54) **VEHICLE DISPLAY SCREEN OR PORTION THEREOF WITH AN ANIMATED GRAPHICAL USER INTERFACE**

(71) Applicants: **Mindtronic AI Co., Ltd.**, Grand Cayman (KY); **Shanghai XPT Technology Limited**, Shanghai (CN)

(72) Inventors: **Mu-Jen Huang**, Taipei (TW); **Ya-Li Tai**, Taoyuan (TW); **Yu-Sian Jiang**, Kaohsiung (TW); **Li-Chieh Kuo**, Taipei (TW)

(73) Assignees: **Mindtronic AI Co., Ltd.**, Grand Cayman (KY); **Shanghai XPT Technology Limited**, Shanghai (CN)

(**) Term: **15 Years**

(21) Appl. No.: **29/649,401**

(22) Filed: **May 30, 2018**

(51) **LOC (12) Cl.** **14-04**

(52) **U.S. Cl.**
USPC **D14/486**

(58) **Field of Classification Search**
USPC D14/485-495
CPC .. G06F 3/0482; G06F 3/04883; G06F 3/0481; G06F 3/04842; G06F 3/0488; G06F 3/04817; G06F 3/04847; G06F 3/0485; G06F 3/04886; G06F 3/0484; G06F 9/451; G06F 3/04845; G06F 3/0486; G07F 17/32; G07F 17/3244

See application file for complete search history.

(56) **References Cited**

U.S. PATENT DOCUMENTS

D523,871 S * 6/2006 Hally D14/487
D641,372 S * 7/2011 Gardner D14/486
D676,868 S * 2/2013 Wagner D14/489
D689,874 S * 9/2013 Brinda D14/485

D704,220 S * 5/2014 Lim D14/492
D711,895 S * 8/2014 Inose D14/485
D738,913 S * 9/2015 Cabrera-Cordon D14/491
D753,132 S * 4/2016 Cuthbert D14/485
D759,091 S * 6/2016 Paolantonio D14/488
D762,655 S * 8/2016 Kai D14/485
D763,869 S * 8/2016 Wang D14/485
D764,520 S * 8/2016 Lee D14/488
D769,891 S * 10/2016 Cho D14/485
D771,652 S * 11/2016 Kim D14/485
D776,680 S * 1/2017 Bae D14/485
D801,996 S * 11/2017 Yang D14/486
D815,127 S * 4/2018 Phillips D14/486

(Continued)

FOREIGN PATENT DOCUMENTS

JP D1517482 2/2015

Primary Examiner — Cathron C Brooks

Assistant Examiner — Andrew T Nemeth

(74) *Attorney, Agent, or Firm* — Winston Hsu

(57) **CLAIM**

The ornamental design for a vehicle display screen or portion thereof with an animated graphical user interface, as shown and described.

DESCRIPTION

FIG. 1 is a front view of a first image of a vehicle display screen or portion thereof with an animated graphical user interface;

FIG. 2 is a front view of a second image thereof;

FIG. 3 is a front view of a third image thereof;

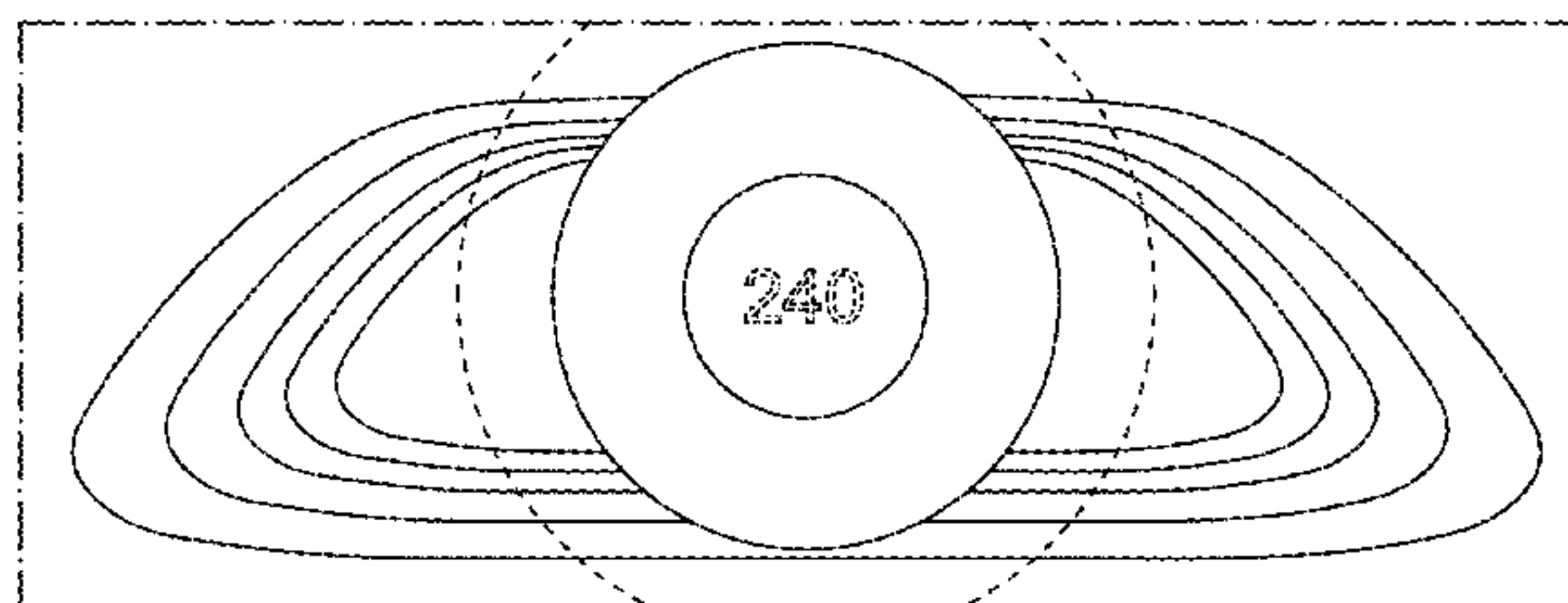
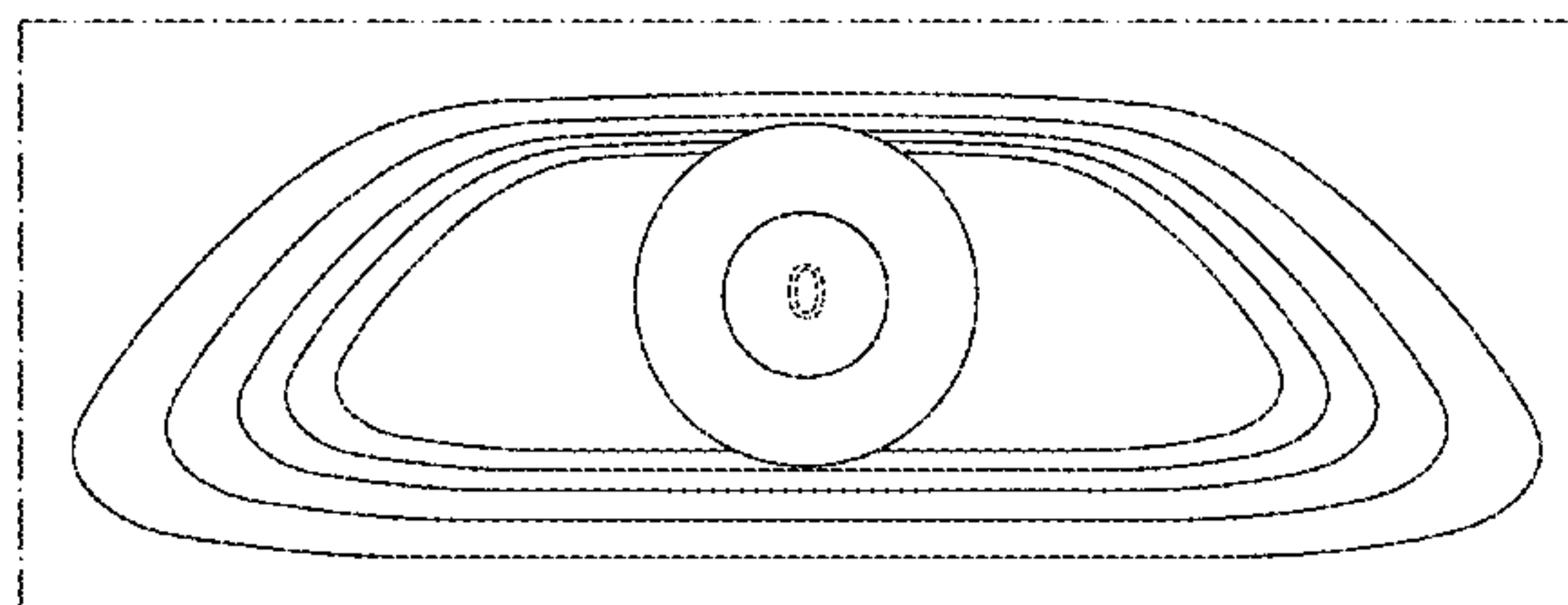
FIG. 4 is a front view of a fourth image thereof; and,

FIG. 5 is a front view of a fifth image thereof.

The appearance of the animated graphical user interface sequentially transitions between the images shown in FIGS. 1-5. The process or period in which an image transitions to another forms no part of the claimed design.

The broken lines showing a display screen or portion thereof form no part of the claimed design.

1 Claim, 5 Drawing Sheets



(56)

References Cited

U.S. PATENT DOCUMENTS

D825,608 S *	8/2018	Andrizzi	D14/487
D825,609 S *	8/2018	Andrizzi	D14/487
D829,764 S *	10/2018	Clapper	D14/489
D836,134 S *	12/2018	Hong	D14/492
D838,742 S *	1/2019	Clapper	D14/489
D839,878 S *	2/2019	Ishii	D14/485
D842,896 S *	3/2019	Williams	D14/489
2010/0087230 A1 *	4/2010	Peh	G06F 3/04817 455/566

* cited by examiner

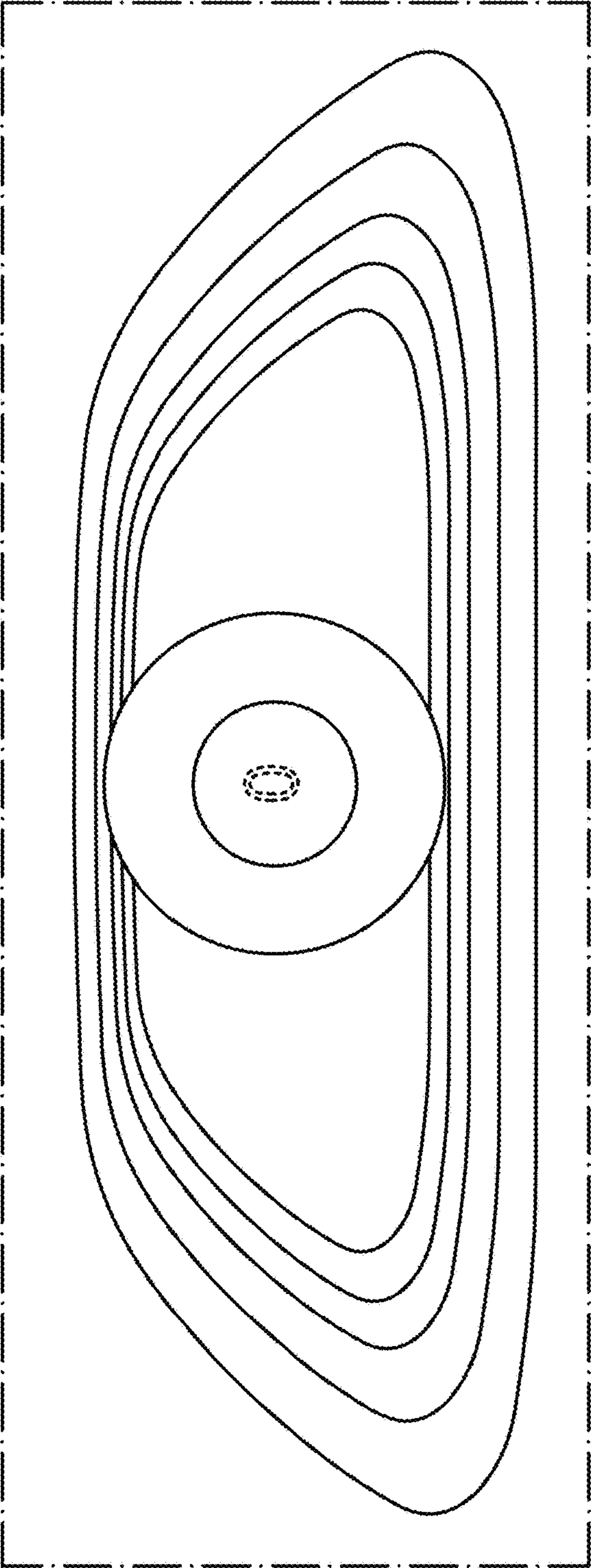


FIG. 1

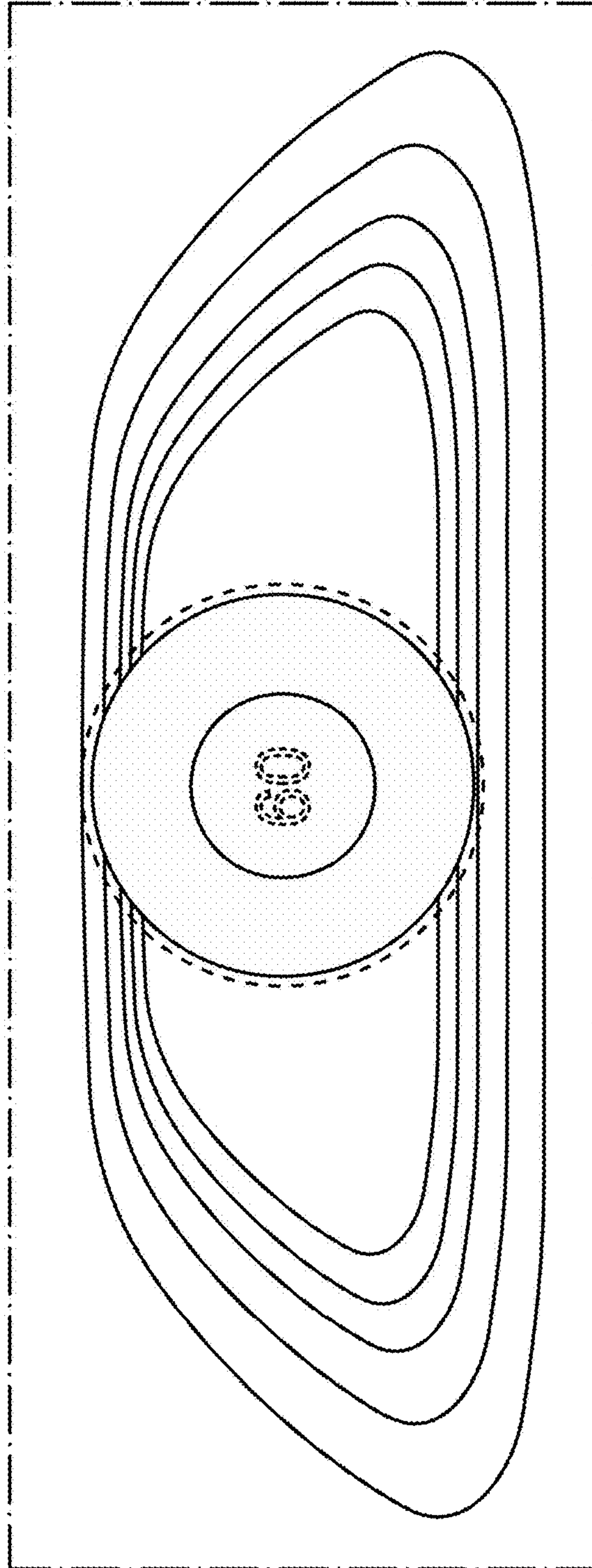


FIG. 2

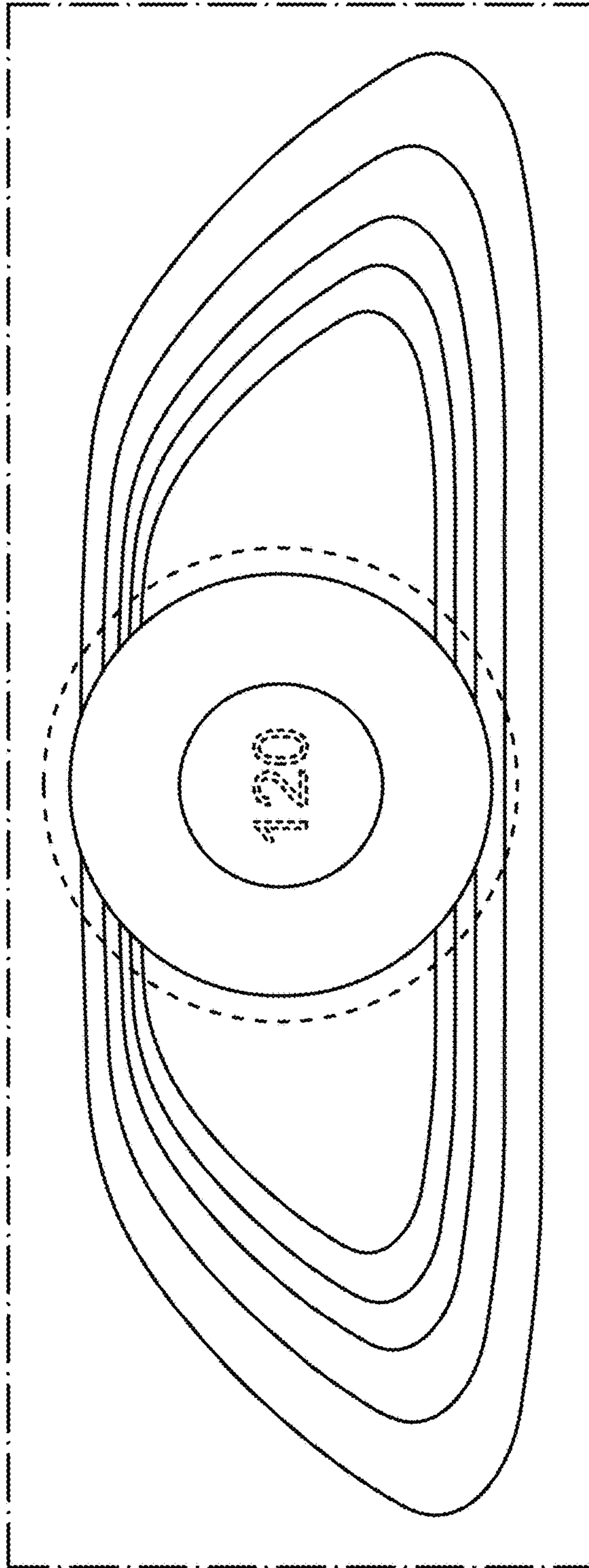


FIG. 3

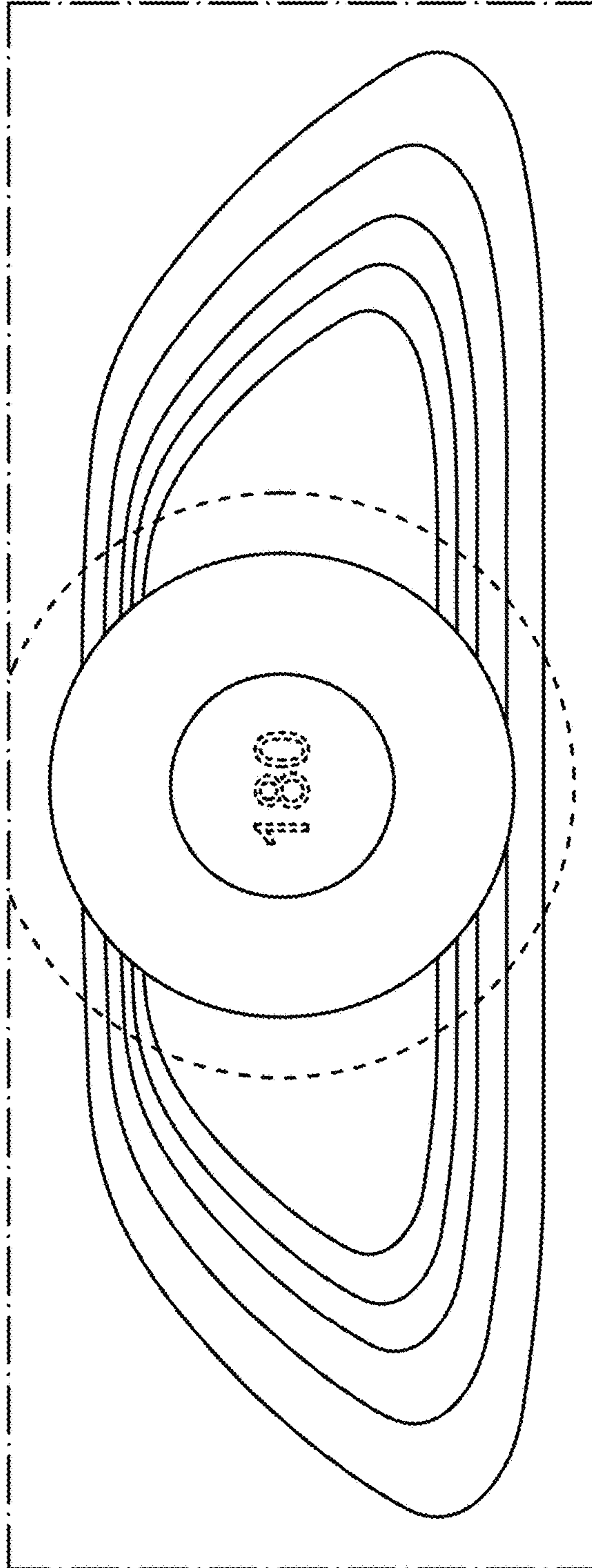


FIG. 4

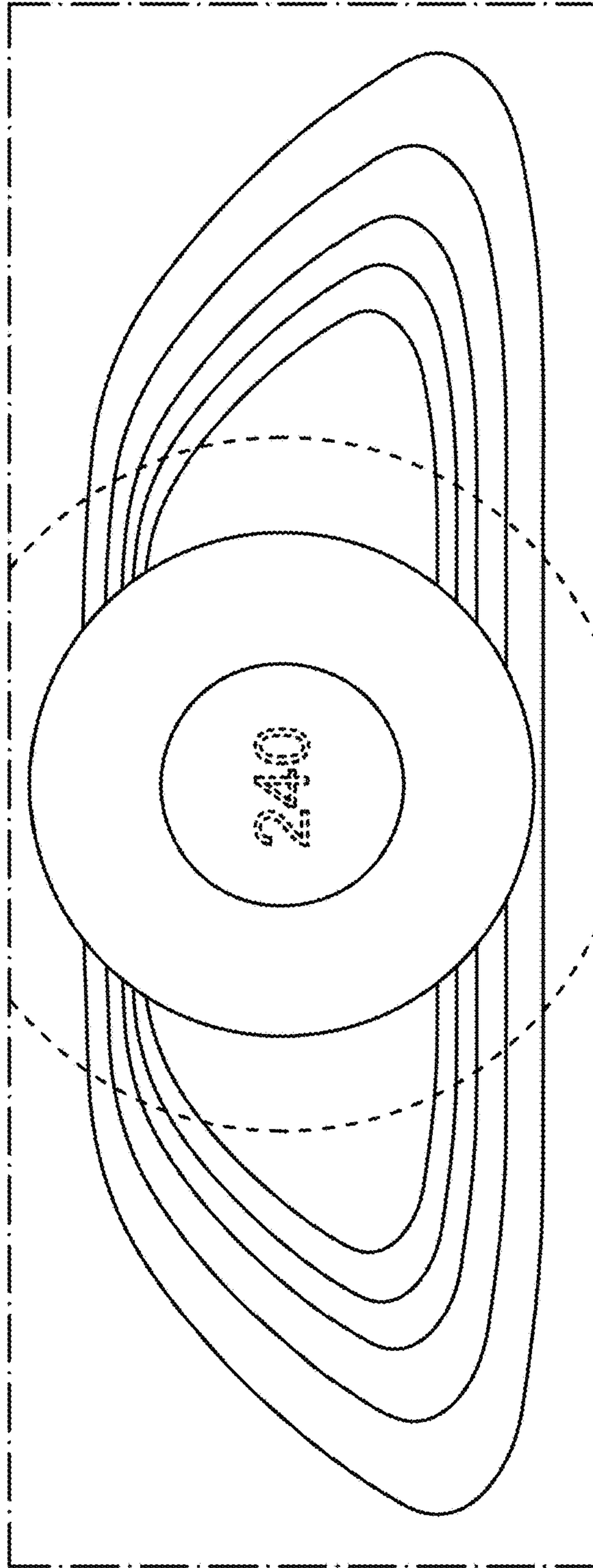


FIG. 5