



US00D857034S

(12) **United States Design Patent**  
**Hung et al.**

(10) **Patent No.:** **US D857,034 S**

(45) **Date of Patent:** **\*\* Aug. 20, 2019**

(54) **DISPLAY SCREEN WITH AN ANIMATED GRAPHICAL USER INTERFACE**

D645,470 S \* 9/2011 Matas ..... D14/489  
D673,172 S \* 12/2012 Peters ..... D14/487  
D677,679 S \* 3/2013 Edwards ..... D14/485

(Continued)

(71) Applicant: **Beijing Kingsoft Internet Security Software Co., LTD.**, Beijing (CN)

(72) Inventors: **Ting-Jiun Hung**, Beijing (CN);  
**Kai-Hsiang Lin**, Beijing (CN);  
**Chieh-Tun Yang**, Beijing (CN);  
**Yi-Wen Chang**, Beijing (CN);  
**Tzu-Jung Huang**, Beijing (CN)

(73) Assignee: **BEIJING KINGSOFT INTERNET SECURITY SOFTWARE CO., LTD.**, Beijing (CN)

(\*\*) Term: **15 Years**

(21) Appl. No.: **29/629,019**

(22) Filed: **Dec. 11, 2017**

(30) **Foreign Application Priority Data**

Jun. 12, 2017 (CN) ..... 2017 3 0237600

(51) **LOC (12) Cl.** ..... **14-04**

(52) **U.S. Cl.**  
USPC ..... **D14/485**

(58) **Field of Classification Search**

USPC ..... D14/485-495; D20/11; D21/324, 325  
CPC .... G06F 3/048; G06F 3/0481; G06F 3/04817;  
G06F 3/0482; G06F 3/0483; G06F  
3/04842; G06F 3/0485; G06F 3/04855;  
G06F 3/0486; G06F 3/0488; G06F  
3/04886; G06F 9/4443; G06F 17/211;  
G06F 17/212; G11B 27/34

See application file for complete search history.

(56) **References Cited**

**U.S. PATENT DOCUMENTS**

D625,318 S \* 10/2010 Jasinski ..... D14/485  
7,949,964 B2 \* 5/2011 Vimme ..... G06F 3/0482  
715/853

**OTHER PUBLICATIONS**

Wouterlood, Floris, "An Arduino Uno TFT Shield Radar Scope" Mar. 24, 2017, posted at [thesolaruniverse.wordpress.com](http://thesolaruniverse.wordpress.com), [site visited Apr. 24, 2019]. <https://thesolaruniverse.wordpress.com/2017/03/24/an-arduino-uno-tft-shield-radar-scope>.\*

(Continued)

*Primary Examiner* — Jack Reickel

*Assistant Examiner* — John M Otte

(74) *Attorney, Agent, or Firm* — Hauptman Ham, LLP

(57) **CLAIM**

The ornamental design for a display screen with an animated graphical user interface, as shown and described.

**DESCRIPTION**

FIG. 1 is a first image of a front view of an animated display screen with graphical user interface showing a first embodiment of our new design;

FIG. 2 is a second image thereof;

FIG. 3 is a third image thereof;

FIG. 4 is a fourth image thereof;

FIG. 5 is a first image of a front view of an animated display screen with graphical user interface showing a second embodiment of our new design;

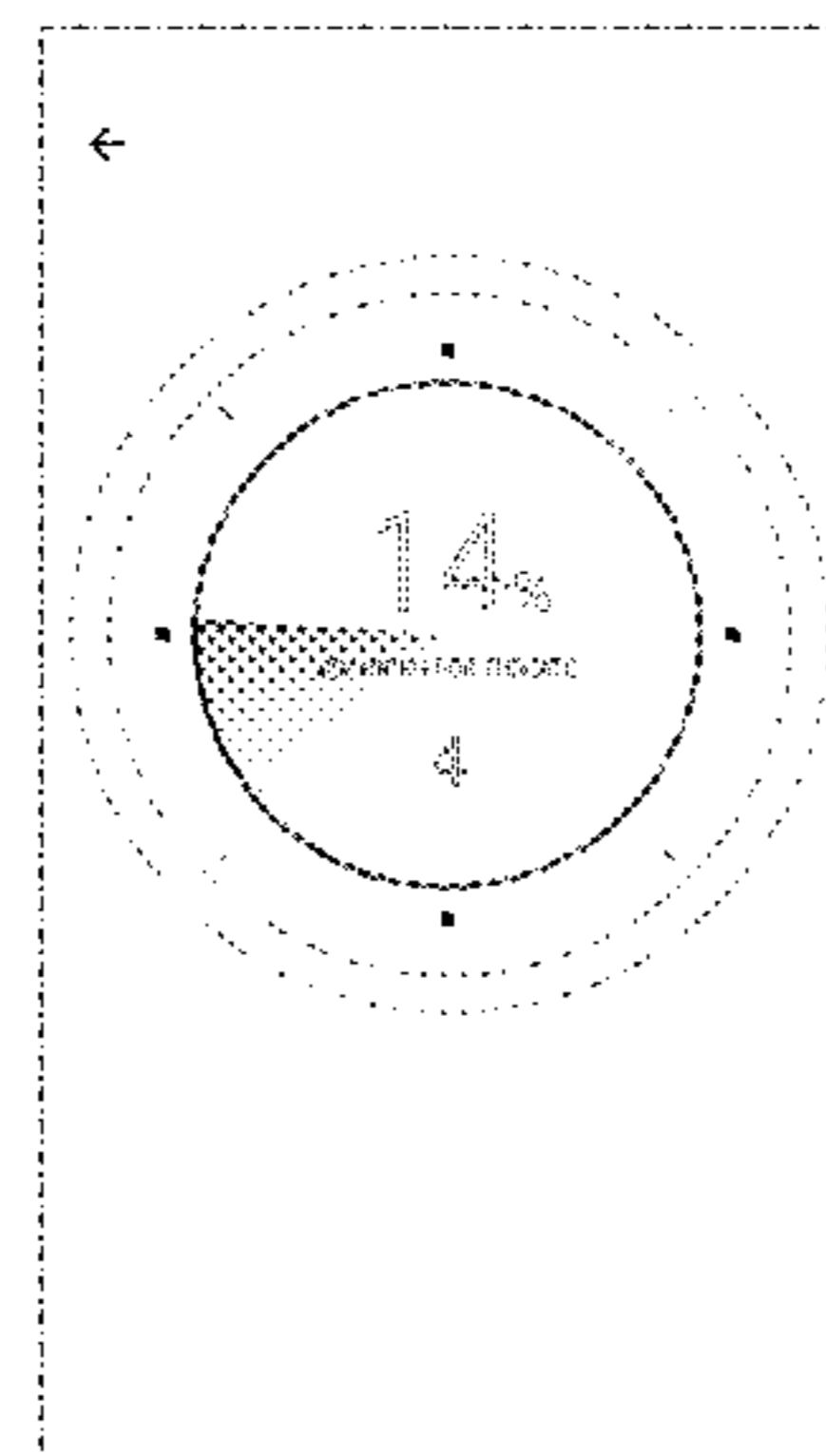
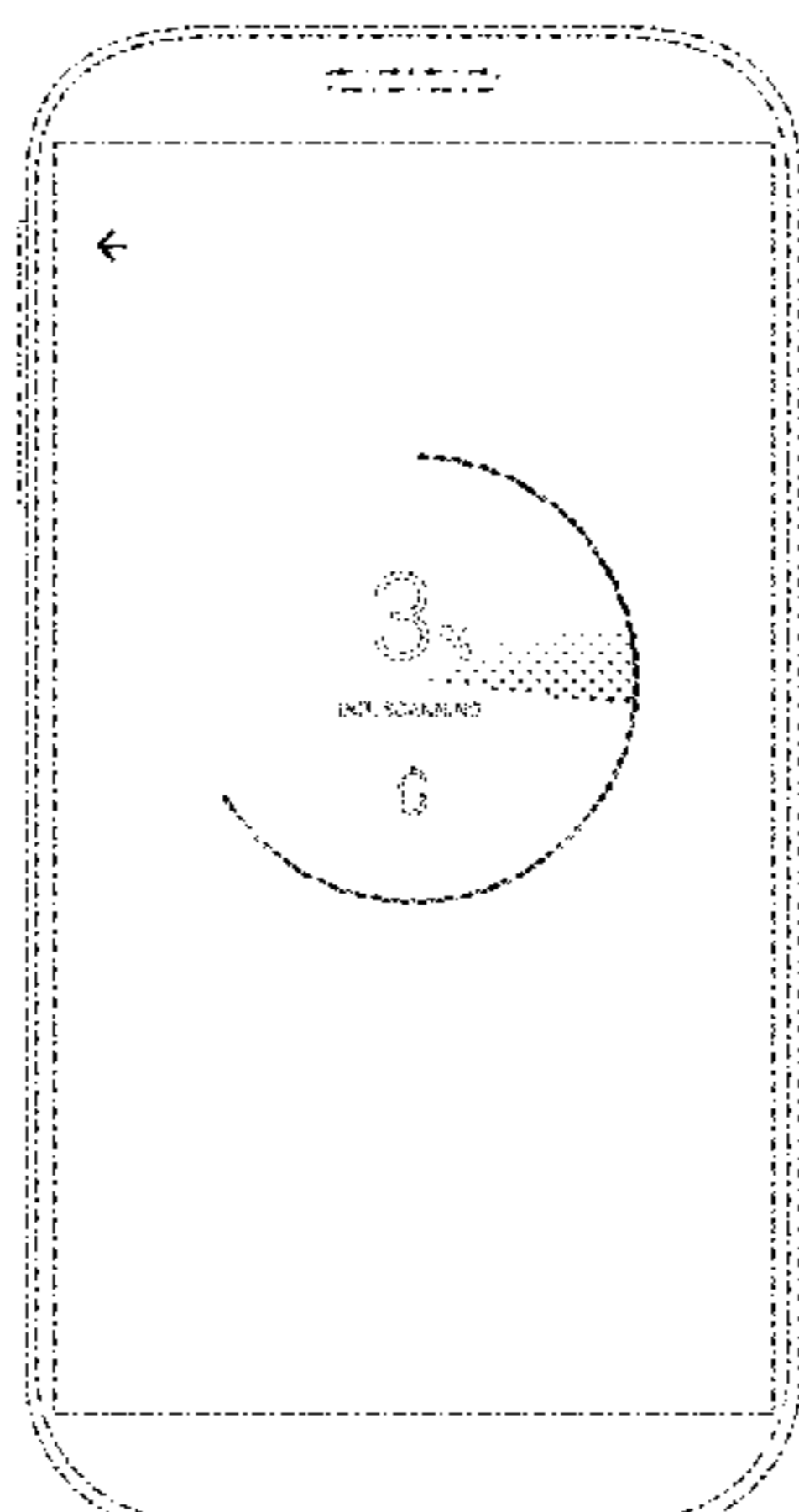
FIG. 6 is a second image thereof;

FIG. 7 is a third image thereof; and,

FIG. 8 is a fourth image thereof.

The dot-dash broken lines showing of a display screen in all views form no part of the claimed design. The dashed broken lines showing of the graphic elements form no part of the claimed design.

**1 Claim, 4 Drawing Sheets**



(56)

**References Cited**

## U.S. PATENT DOCUMENTS

D699,248	S	*	2/2014	Pearson	.....	D14/485
D699,737	S	*	2/2014	Pearson	.....	D14/486
D700,197	S	*	2/2014	Akcasu	.....	D14/486
D700,198	S	*	2/2014	Akcasu	.....	D14/486
D711,912	S	*	8/2014	Alldredge	.....	D14/489
D712,422	S	*	9/2014	Anzures	.....	D14/486
8,875,054	B2	*	10/2014	Hopkins	.....	G06F 3/04847 715/833
D744,535	S	*	12/2015	Shin	.....	D14/489
D752,061	S	*	3/2016	Ahn	.....	D14/485
D763,269	S	*	8/2016	Lee	.....	D14/485
D765,718	S	*	9/2016	Vinna	.....	D14/488
D783,046	S	*	4/2017	Dzjind	.....	D14/488
D784,363	S	*	4/2017	Fleming	.....	D14/485
D787,536	S	*	5/2017	Pantelis	.....	D14/486
D794,675	S	*	8/2017	Liu	.....	D14/489
D804,494	S	*	12/2017	Bombolowsky	.....	D14/485
D819,678	S	*	6/2018	Liu	.....	D14/486
D835,142	S	*	12/2018	Li	.....	D14/486
D840,428	S	*	2/2019	Narinedhat	.....	D14/488
2010/0037139	A1	*	2/2010	Loebig	.....	G11B 27/34 715/716
2013/0339904	A1	*	12/2013	Geithner	.....	G06F 3/0482 715/834

## OTHER PUBLICATIONS

Wearne, Daniel, "Deals Radar Icon" Feb. 6, 2014, posted at dribbble.com, [site visited Apr. 24, 2019]. <https://dribbble.com/shots/1410437-Deals-Radar-Icon>.\*

\* cited by examiner

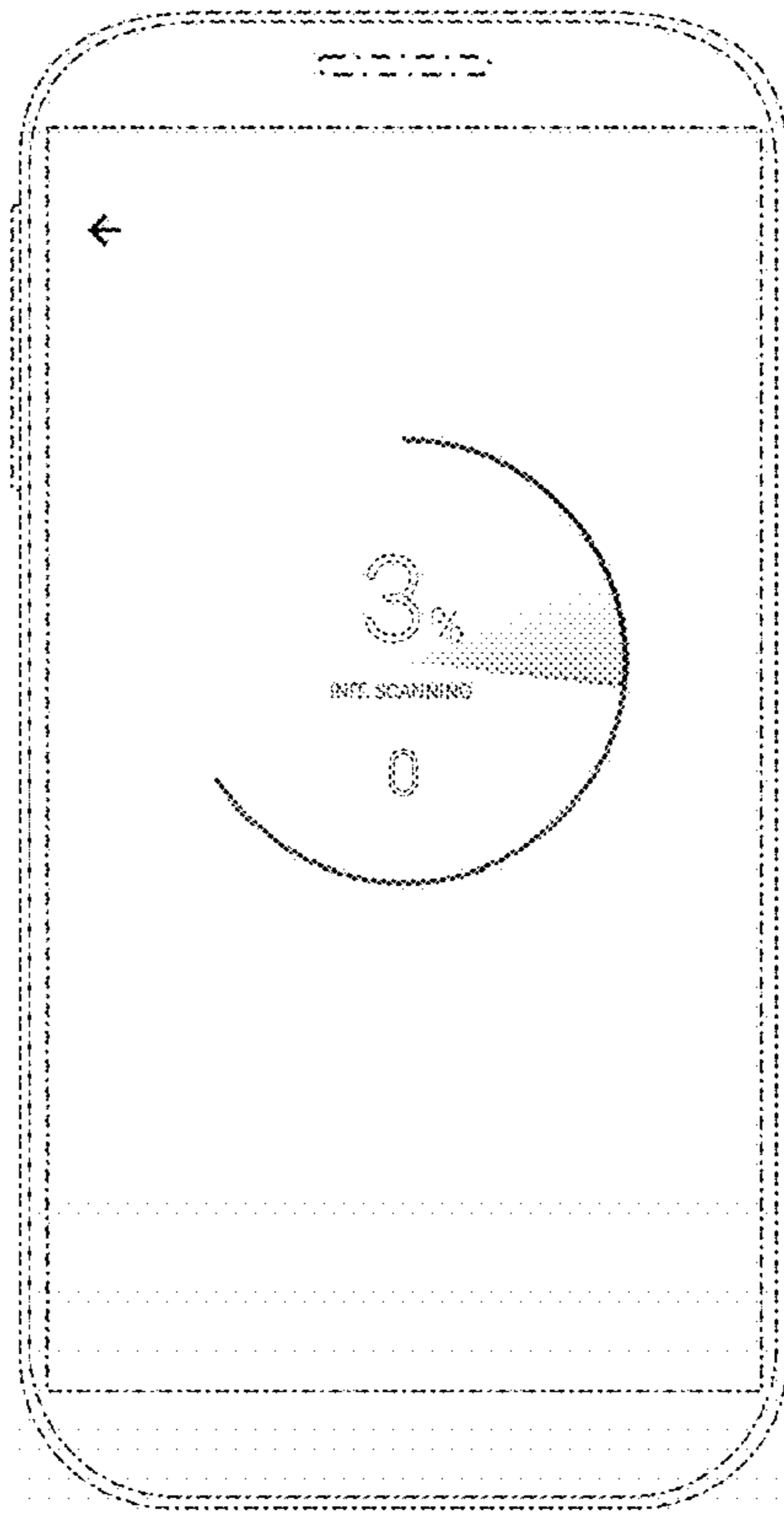


FIG. 1

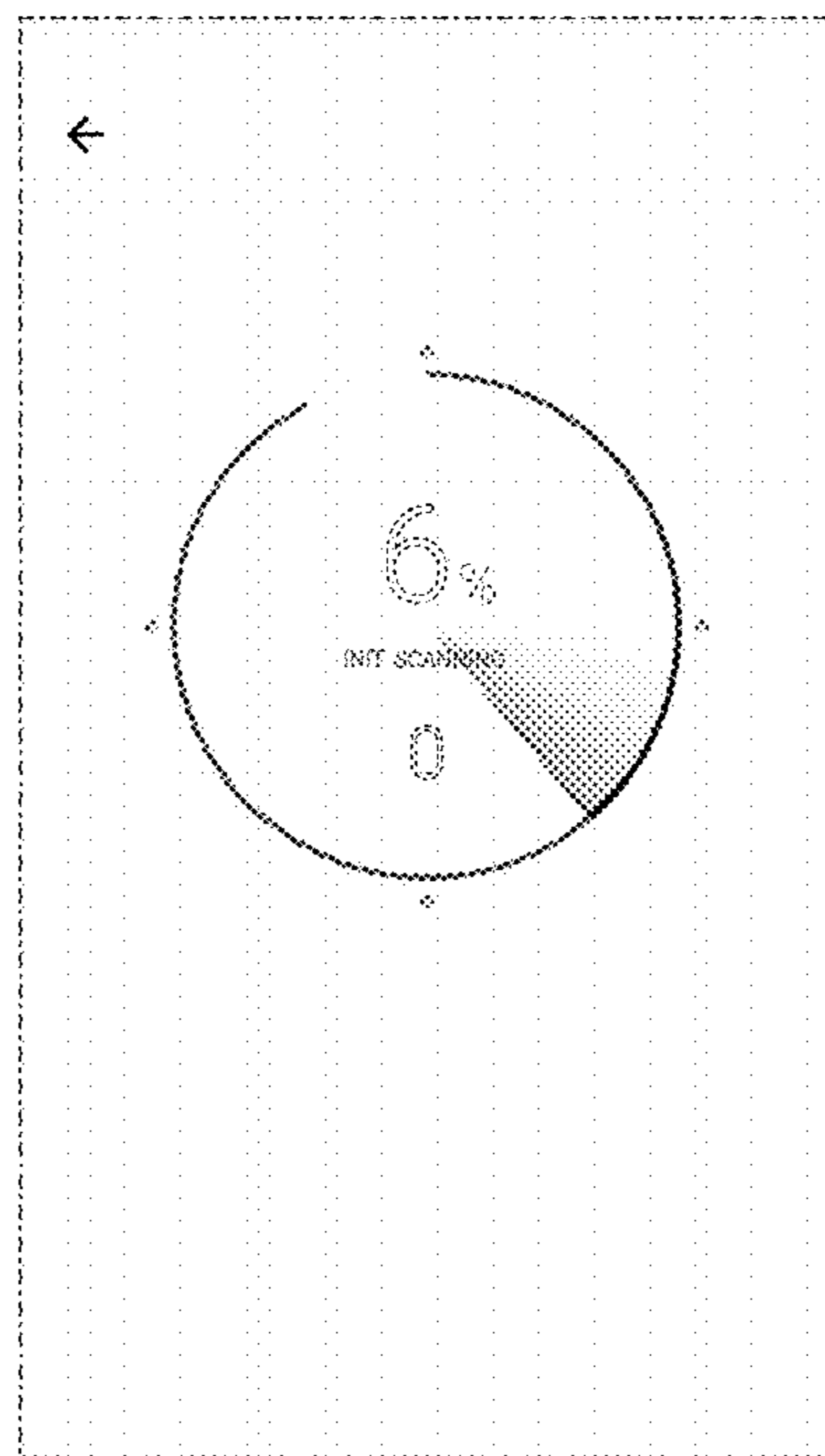


FIG. 2

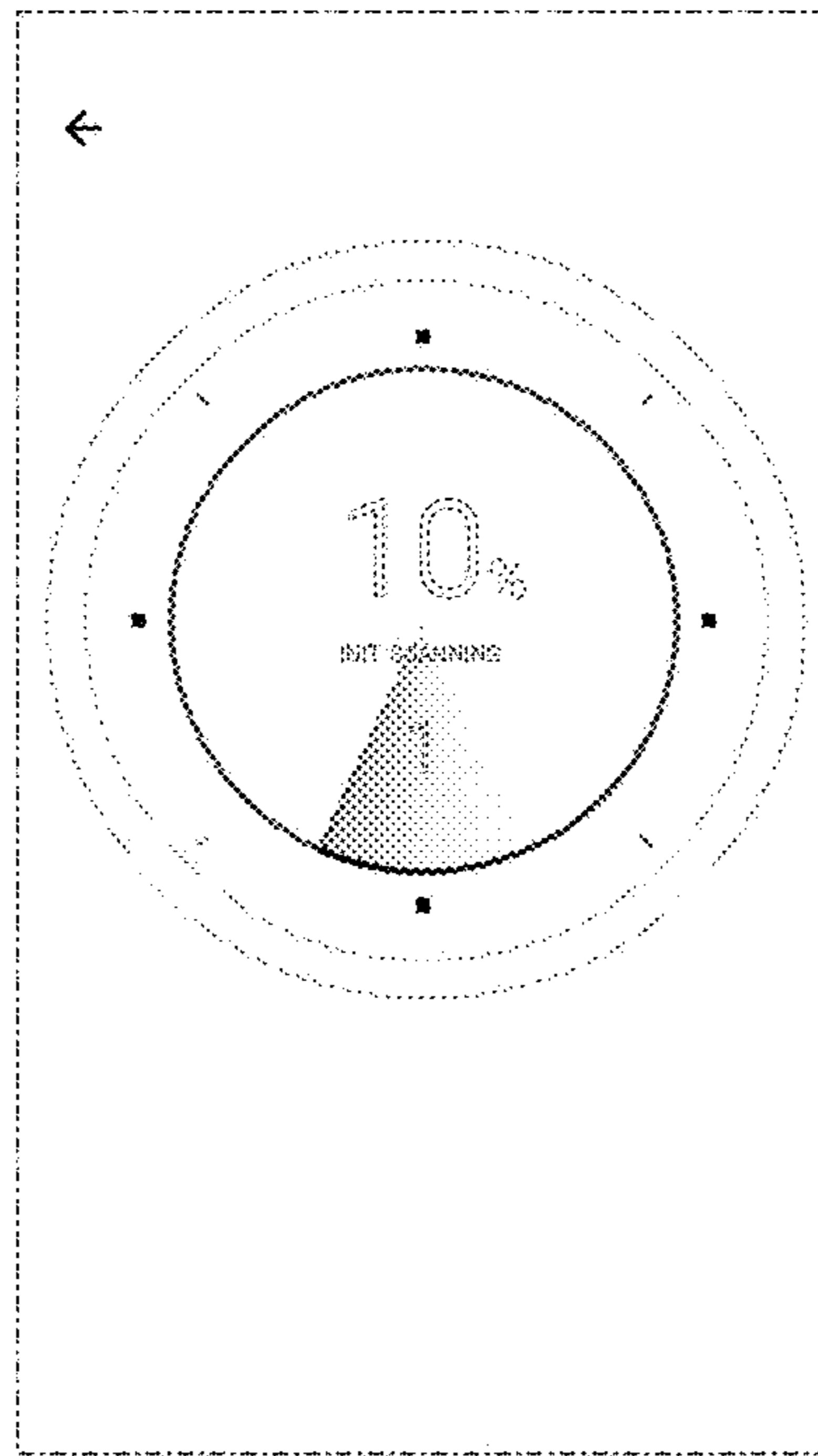


FIG. 3

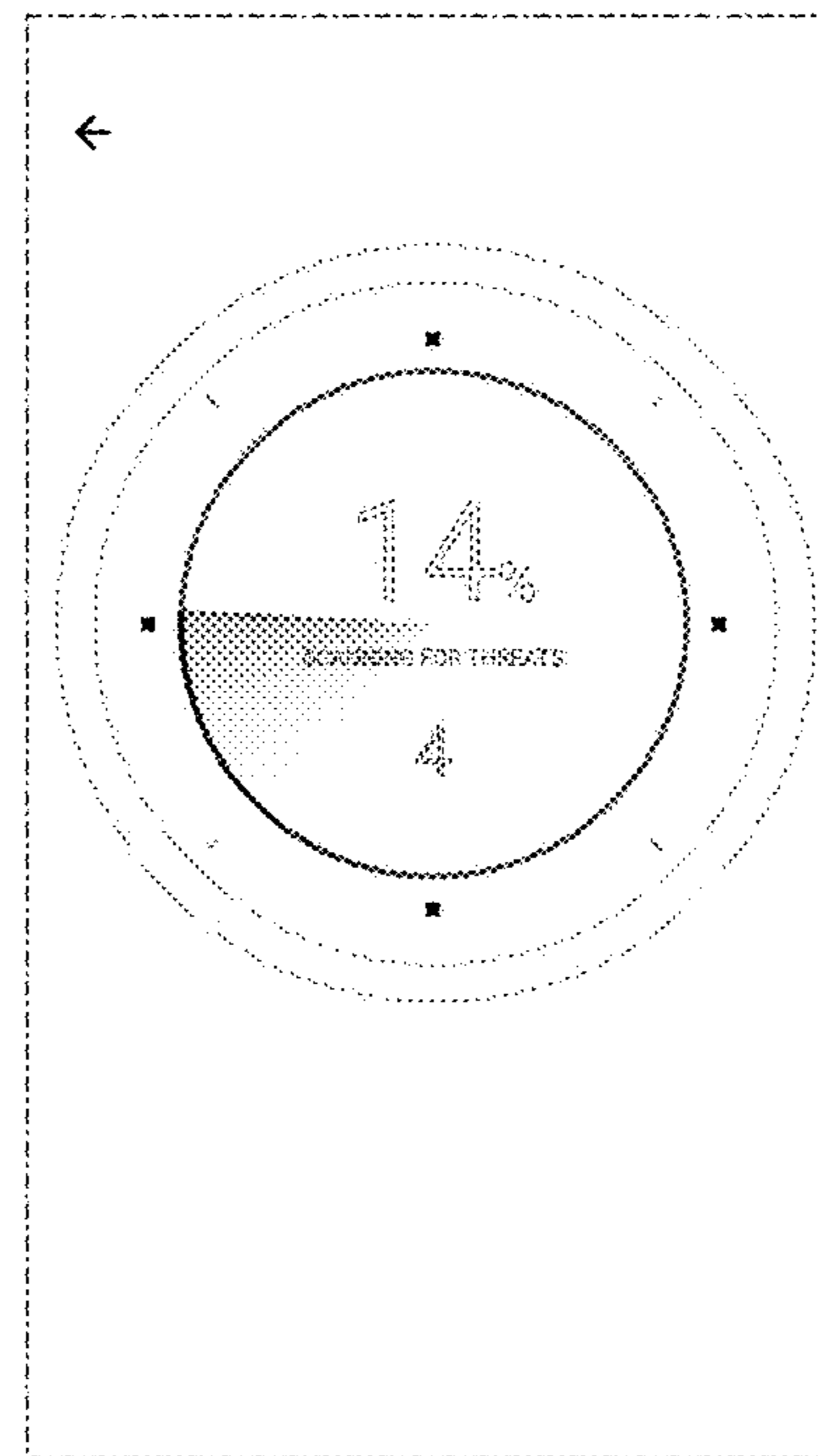


FIG. 4

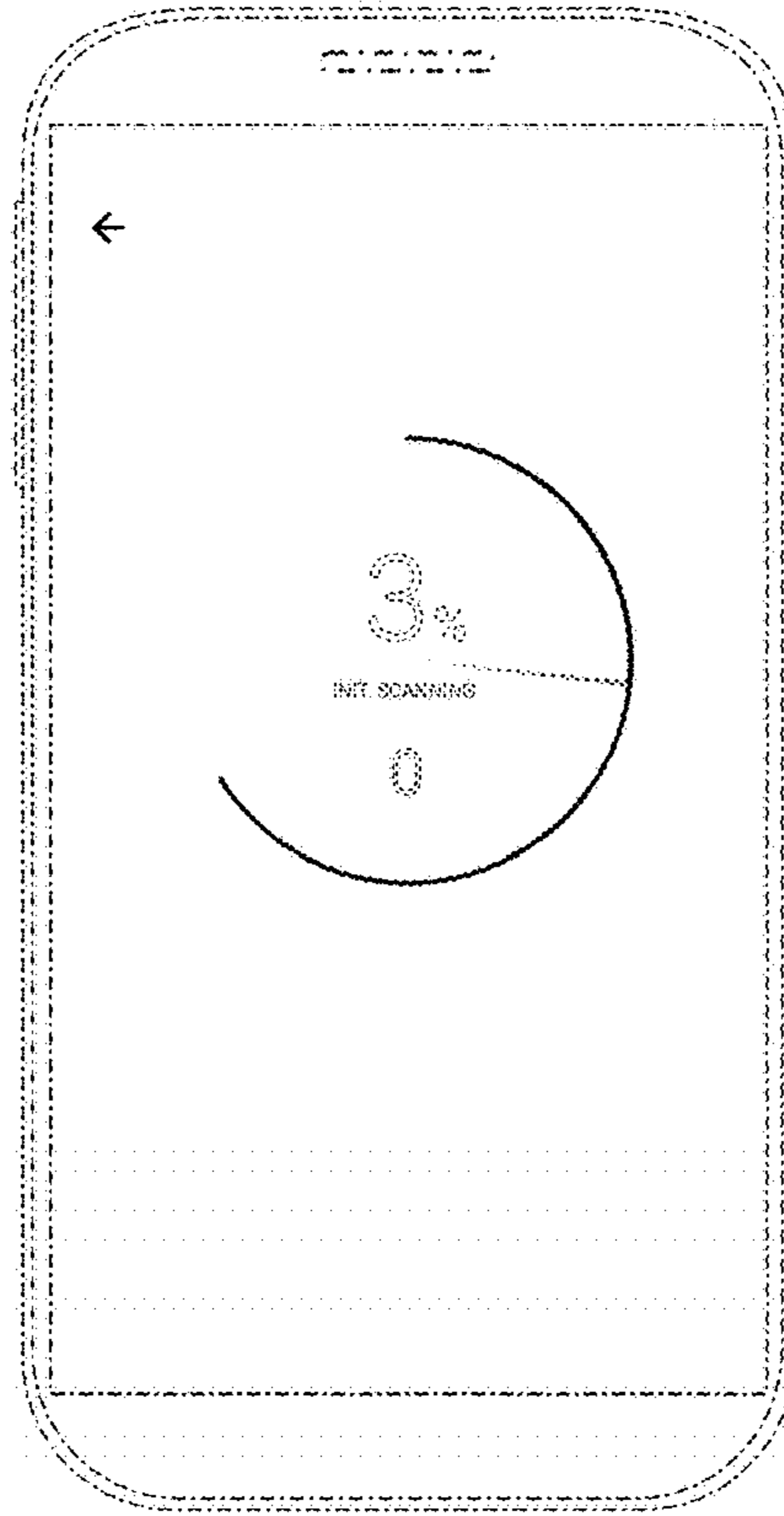


FIG. 5

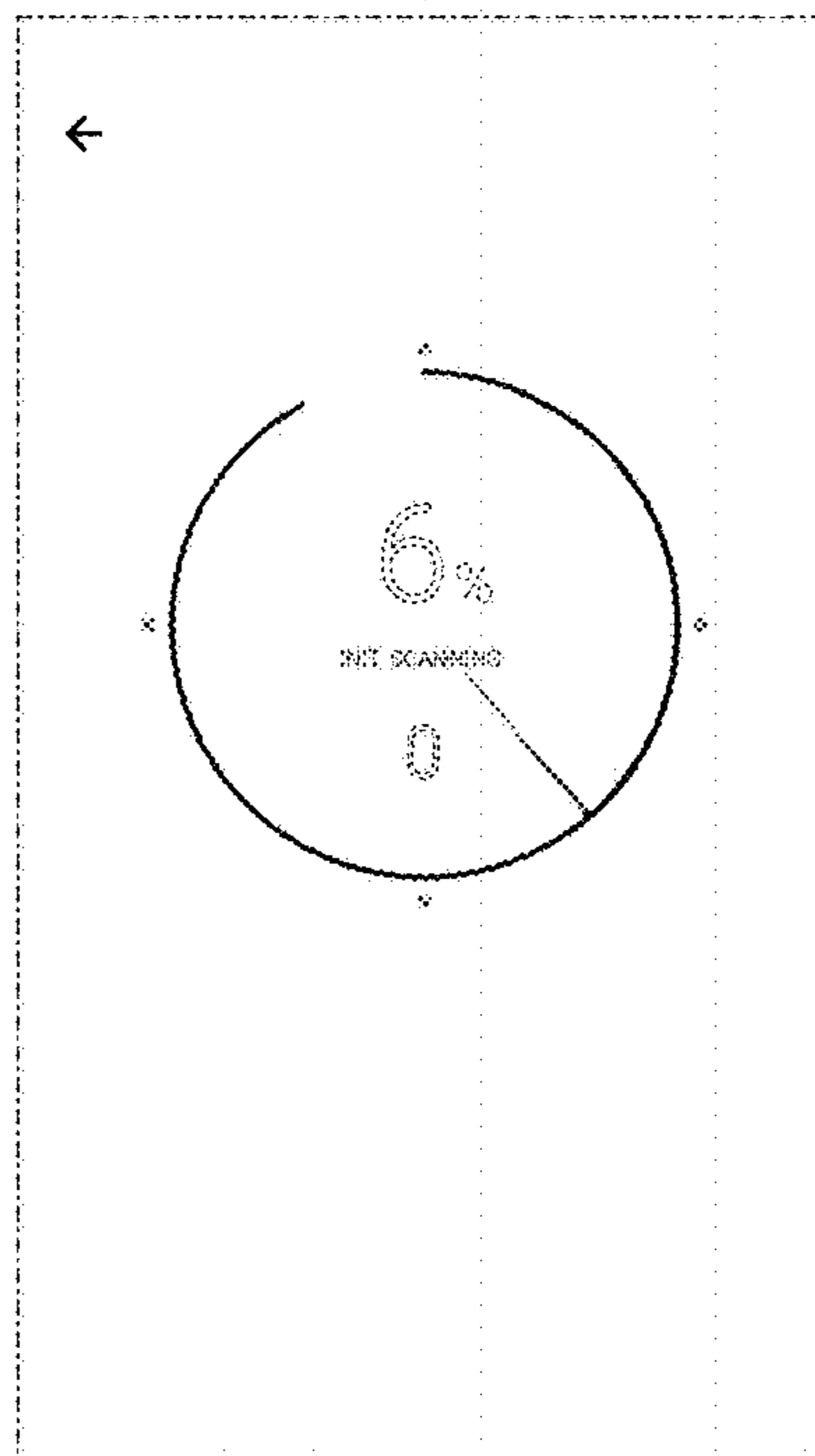


FIG. 6

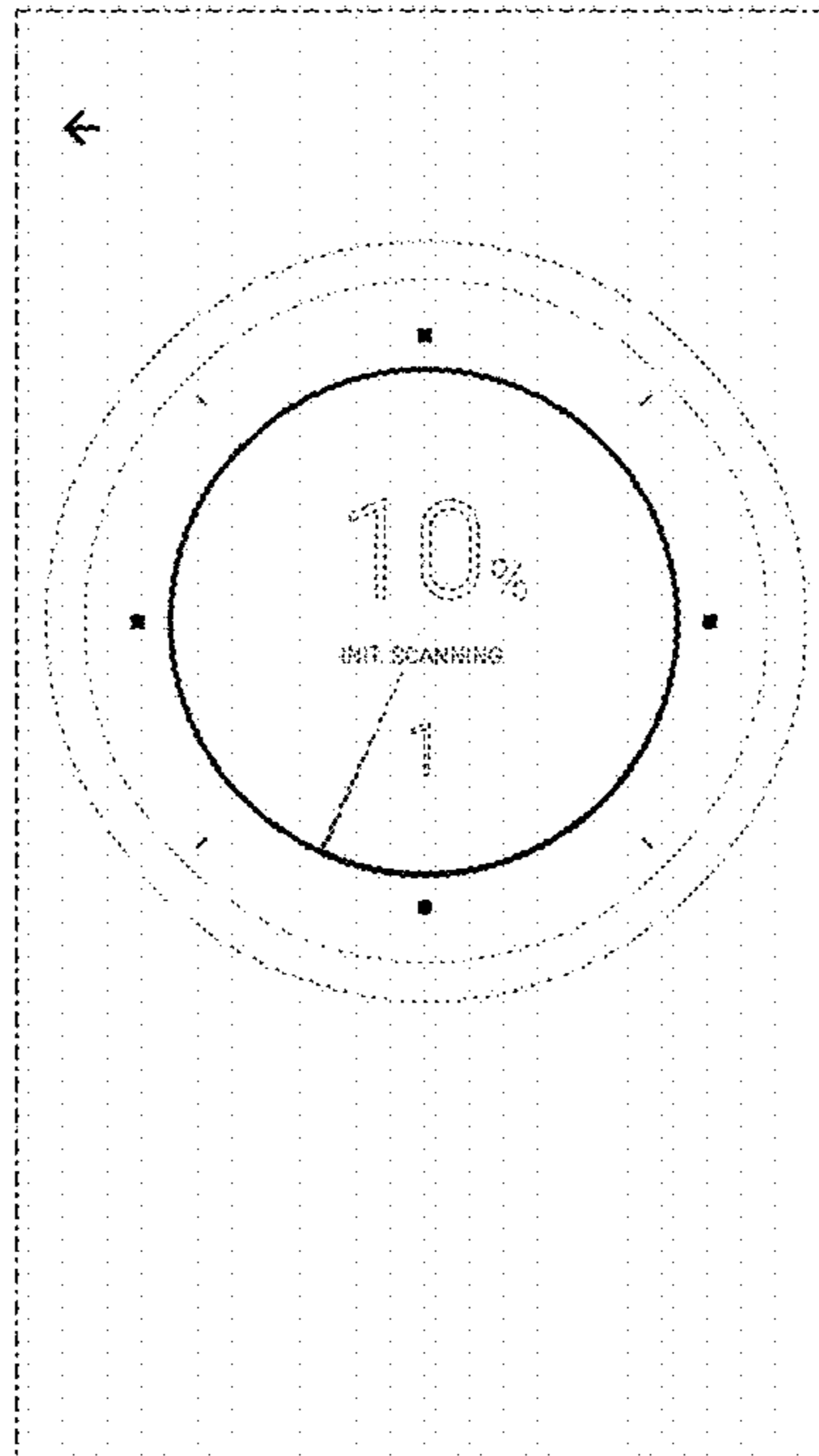


FIG. 7

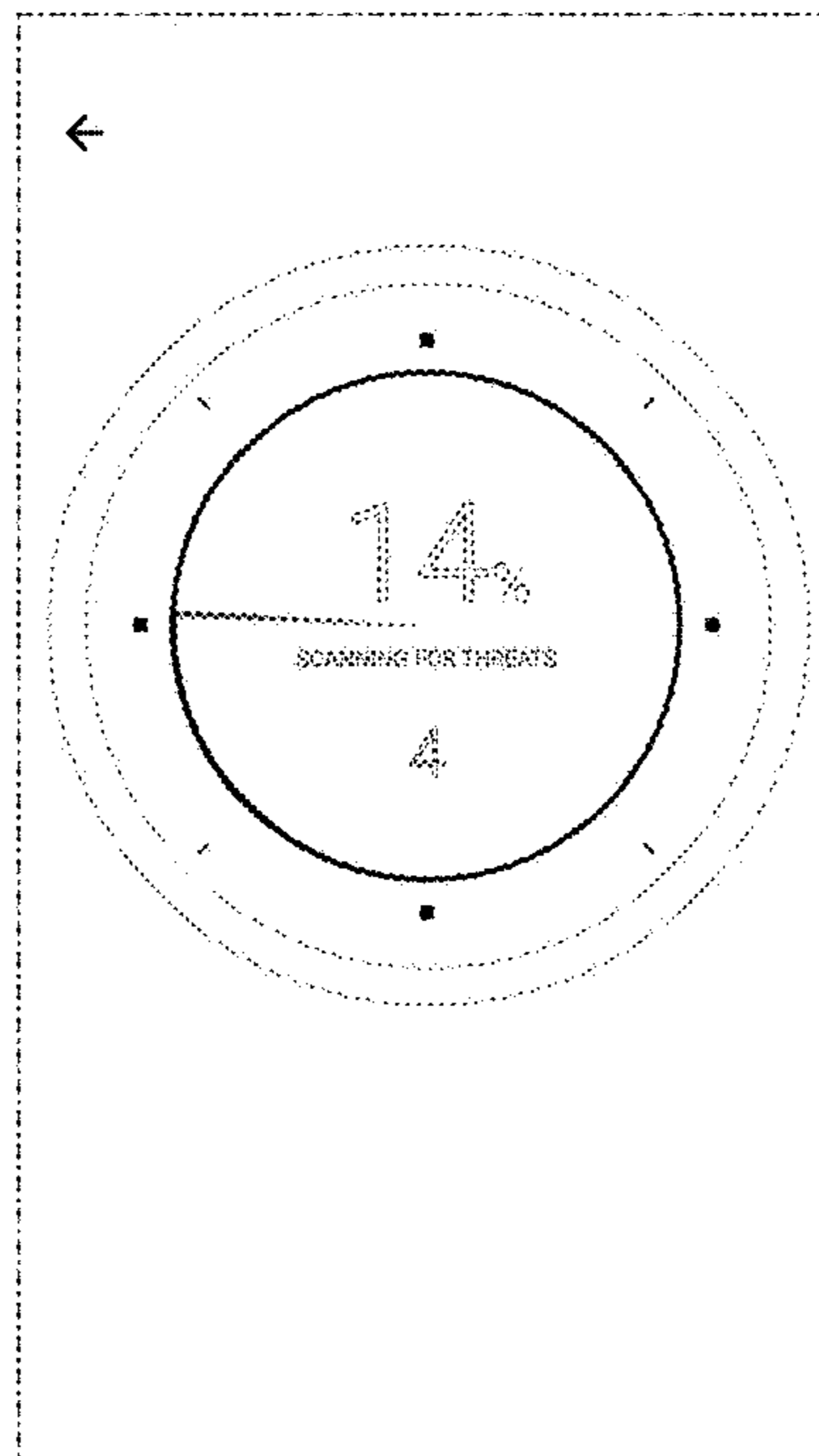


FIG. 8