



US00D857025S

(12) **United States Design Patent**
Guerrero, Jr. et al.

(10) **Patent No.:** **US D857,025 S**

(45) **Date of Patent:** **** Aug. 20, 2019**

(54) **LAPTOP STAND**

(71) Applicant: **RAZER (ASIA-PACIFIC) PTE. LTD.,**
Singapore (SG)

(72) Inventors: **Gil Palma Guerrero, Jr.,** Singapore
(SG); **Min-Liang Tan,** Singapore (SG);
Lionel Lim, Singapore (SG); **Ann**
Tiong Ong, Singapore (SG)

(73) Assignee: **RAZER (ASIA-PACIFIC) PTE. LTD.,**
Singapore (SG)

(**) Term: **15 Years**

(21) Appl. No.: **29/642,825**

(22) Filed: **Apr. 2, 2018**

(51) **LOC (12) Cl.** **08-07**

(52) **U.S. Cl.**
USPC **D14/447**

(58) **Field of Classification Search**
USPC D14/447, 432, 434, 439, 440, 451, 452,
D14/457, 239; D8/363, 373, 380;
D6/406.3, 406.4, 406.5, 406.6; D12/415;
D21/330, 331

CPC A47B 21/04; A47B 2097/006; A47B
2097/005; A47B 2023/049; A45C
2011/002; A45C 2011/003; F16M
2200/00; F16M 13/00

See application file for complete search history.

(56) **References Cited**

U.S. PATENT DOCUMENTS

D620,942 S * 8/2010 Huang D14/447
D626,129 S * 10/2010 Lutz D14/447

D678,298 S * 3/2013 Burrige D14/447
D682,282 S * 5/2013 Steinfeld D14/447
D703,675 S * 4/2014 Jensen D14/447
D715,804 S * 10/2014 Frenzel D14/447
D767,575 S * 9/2016 Green D14/447
D778,105 S * 2/2017 Coffey, Jr. D14/447
D791,140 S * 7/2017 Nuk D14/447
D797,109 S * 9/2017 Pisapia D14/447
D829,215 S * 9/2018 Magargee D14/447
D831,664 S * 10/2018 Chen D14/447

* cited by examiner

Primary Examiner — Angela J Lee

(74) *Attorney, Agent, or Firm* — Polsinelli PC

(57) **CLAIM**

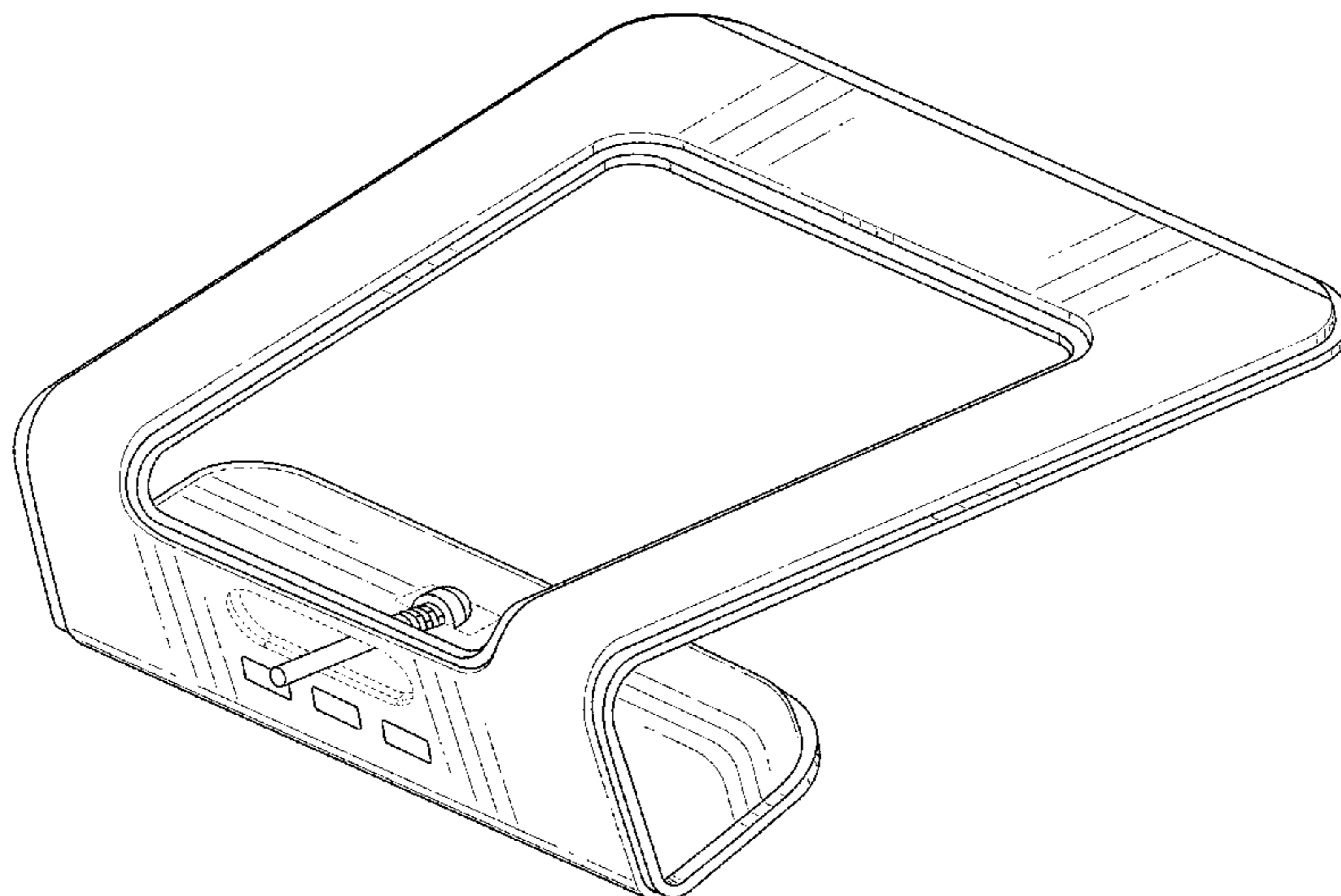
We claim the ornamental design for a laptop stand, as shown and described.

DESCRIPTION

FIG. 1 is a top, perspective view of an embodiment of a laptop stand, showing our new design;
FIG. 2 is a bottom, perspective view thereof;
FIG. 3 is a front view thereof;
FIG. 4 is a rear view thereof;
FIG. 5 is a right side elevational view thereof;
FIG. 6 is a left side elevational view thereof;
FIG. 7 is a top plan view thereof; and,
FIG. 8 is a bottom plan view thereof.

Broken lines are for illustrating portions of the laptop stand which form no part of the claimed design.

1 Claim, 8 Drawing Sheets



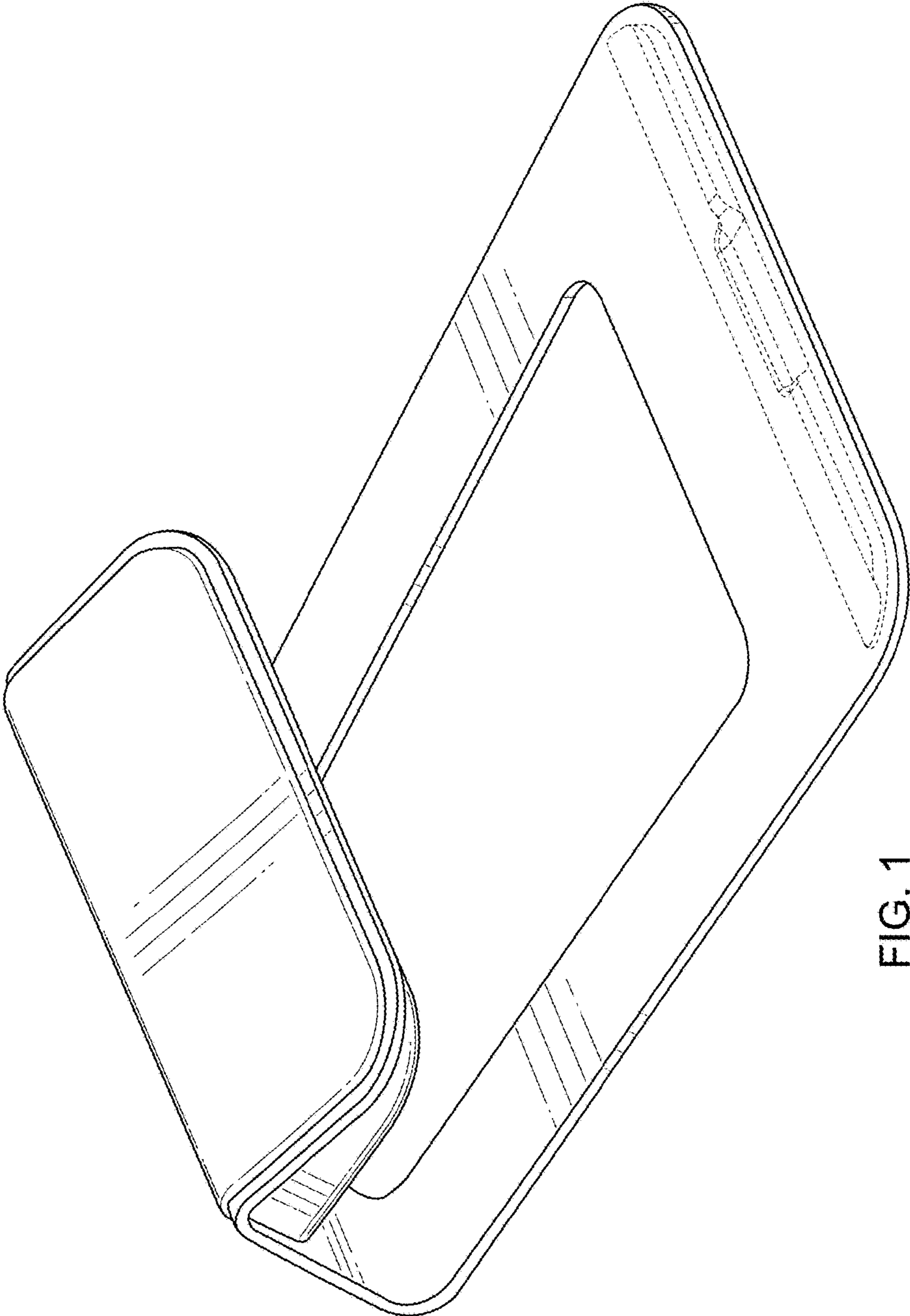


FIG. 1

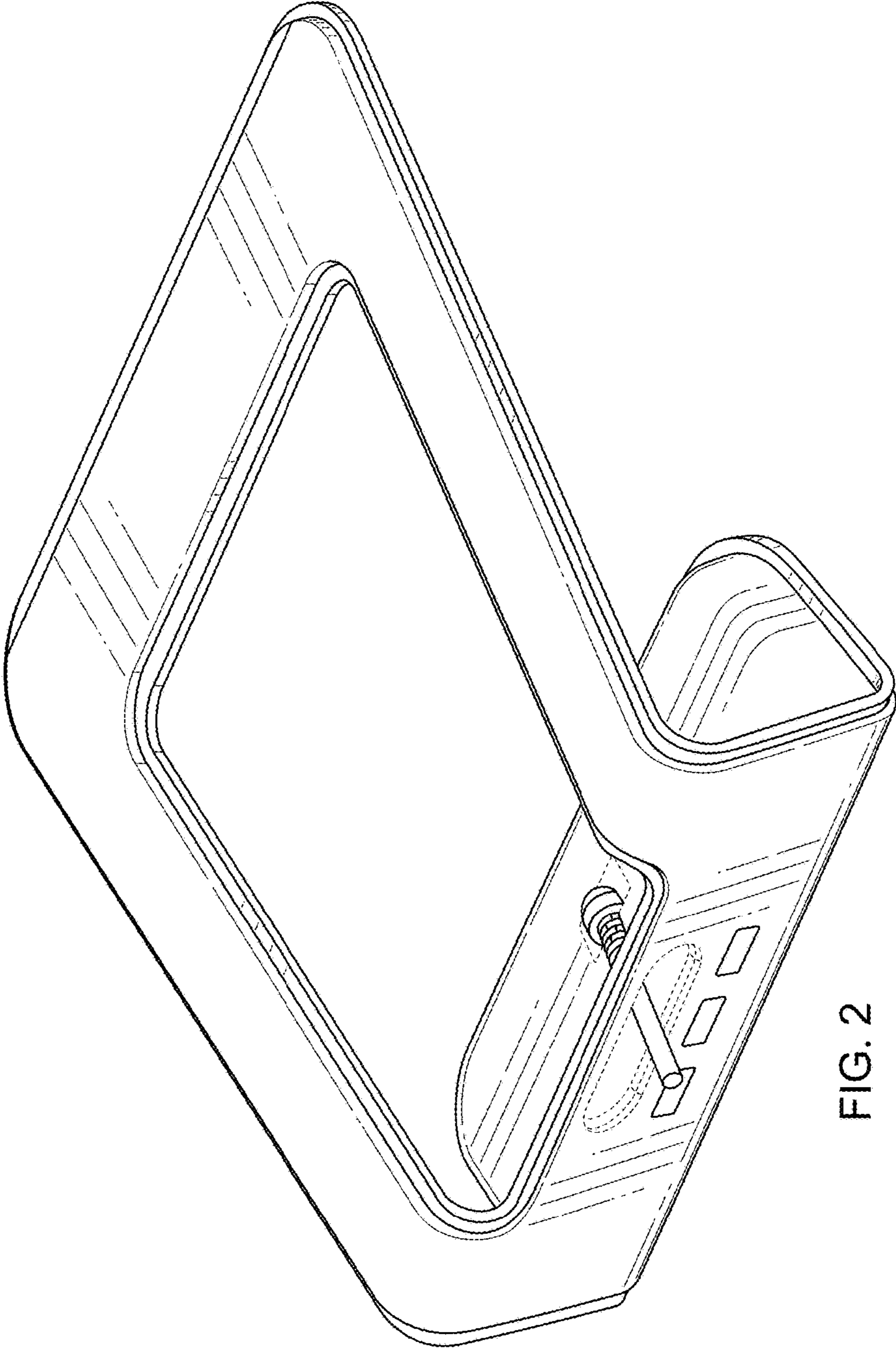


FIG. 2

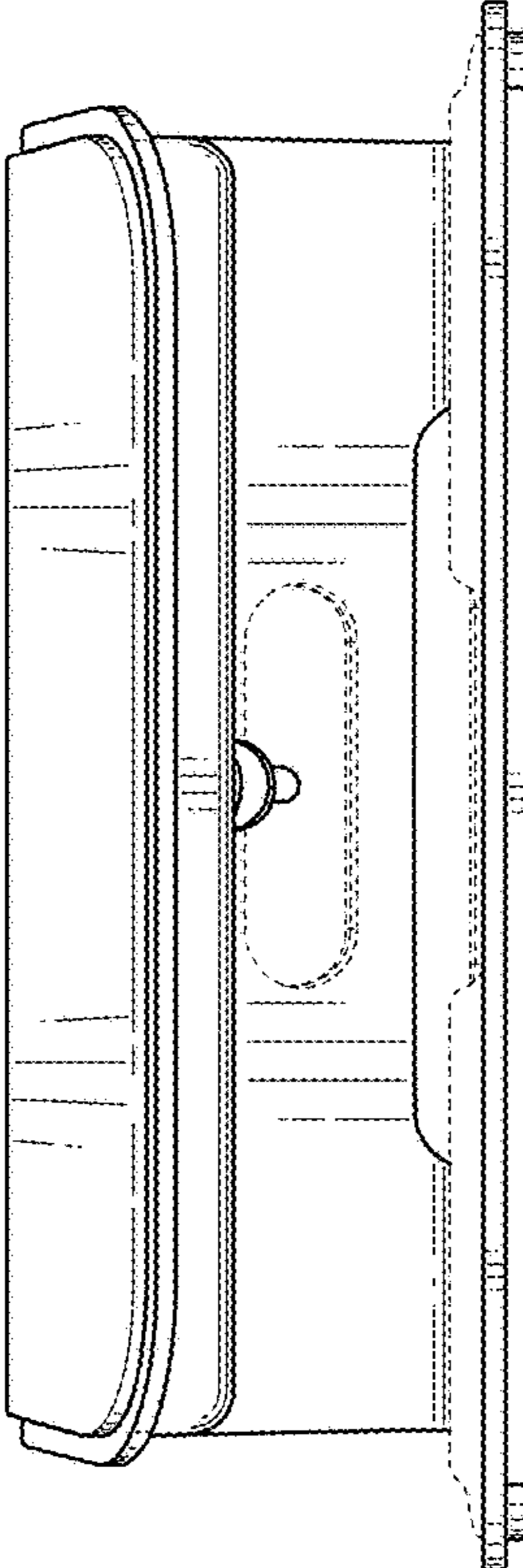


FIG. 3

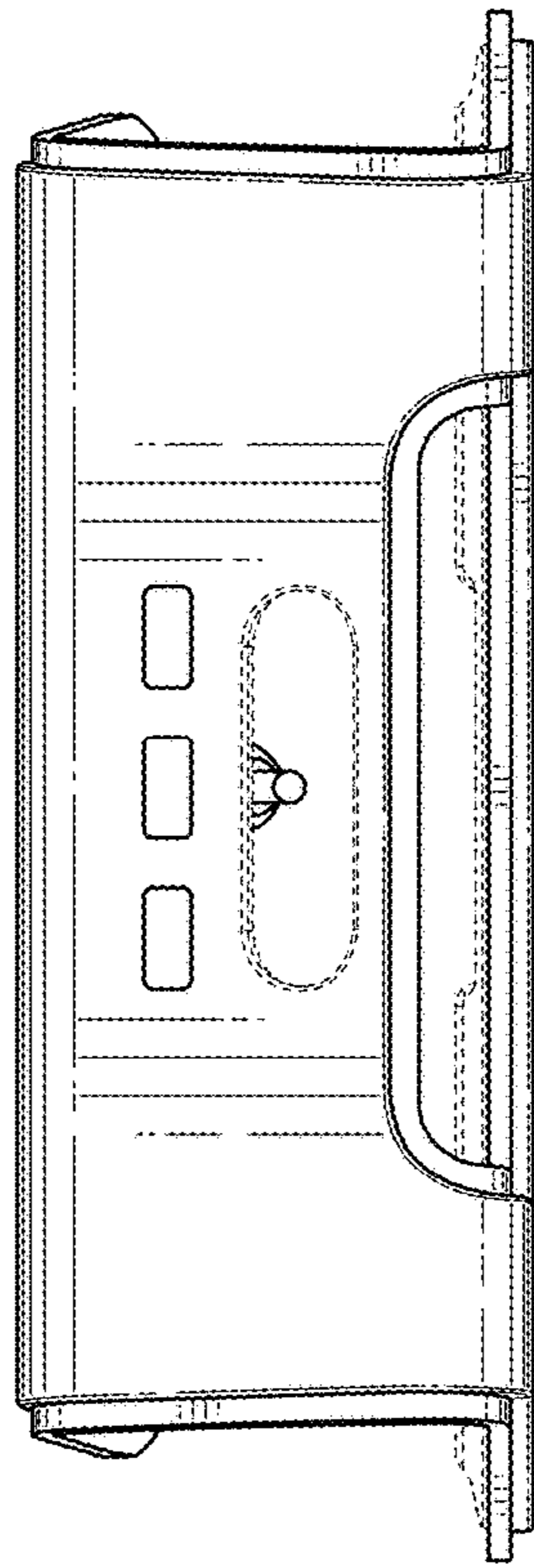


FIG. 4

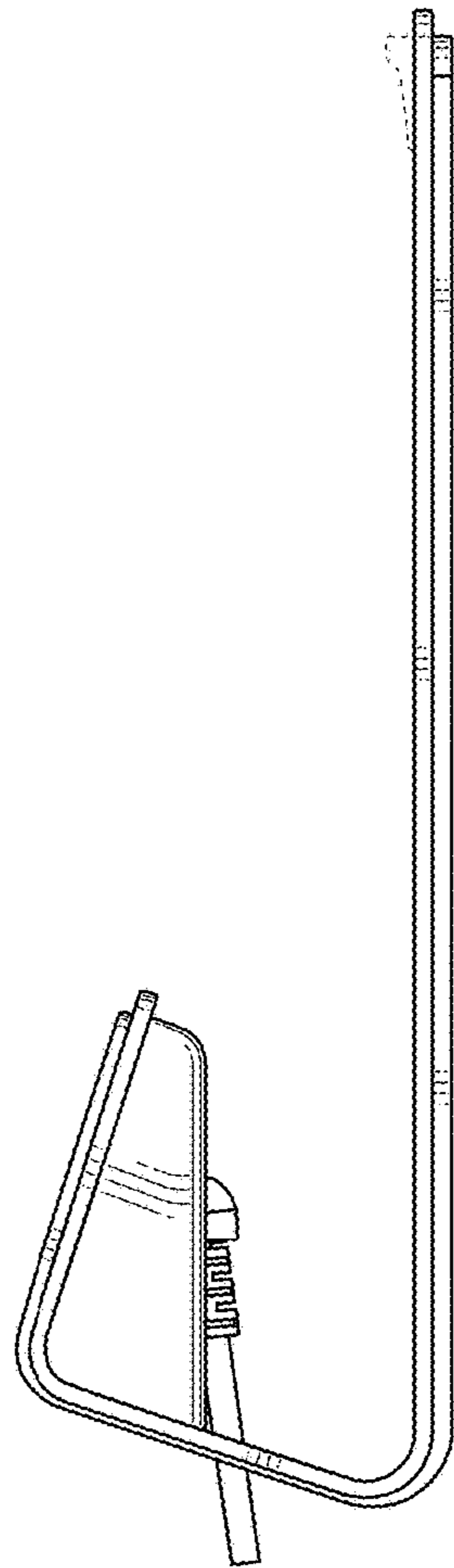


FIG. 5

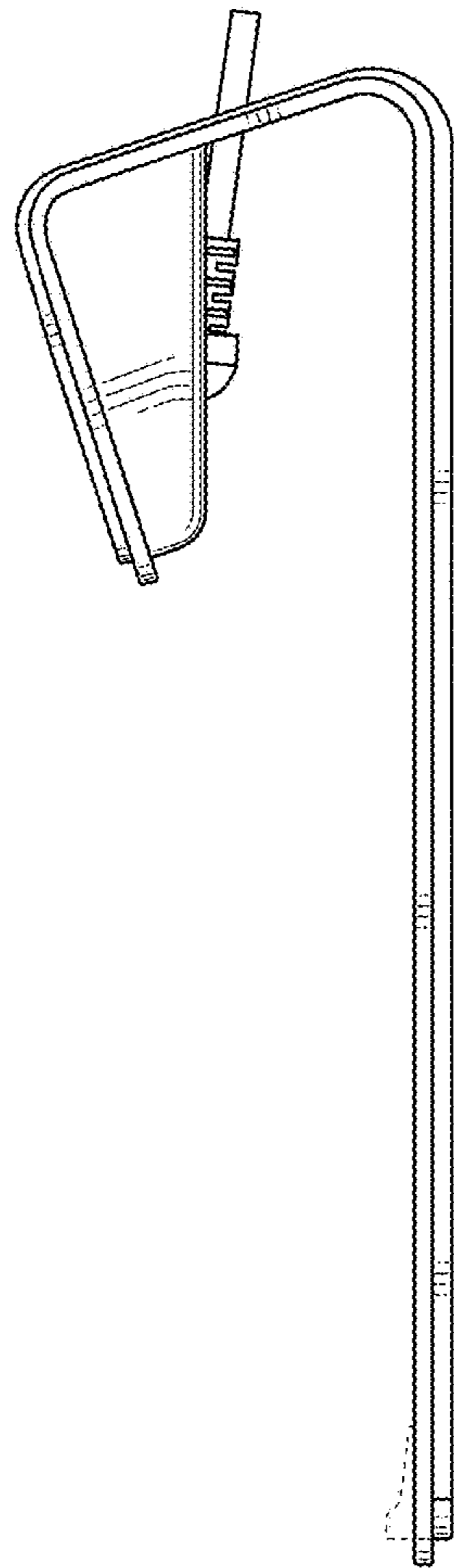


FIG. 6

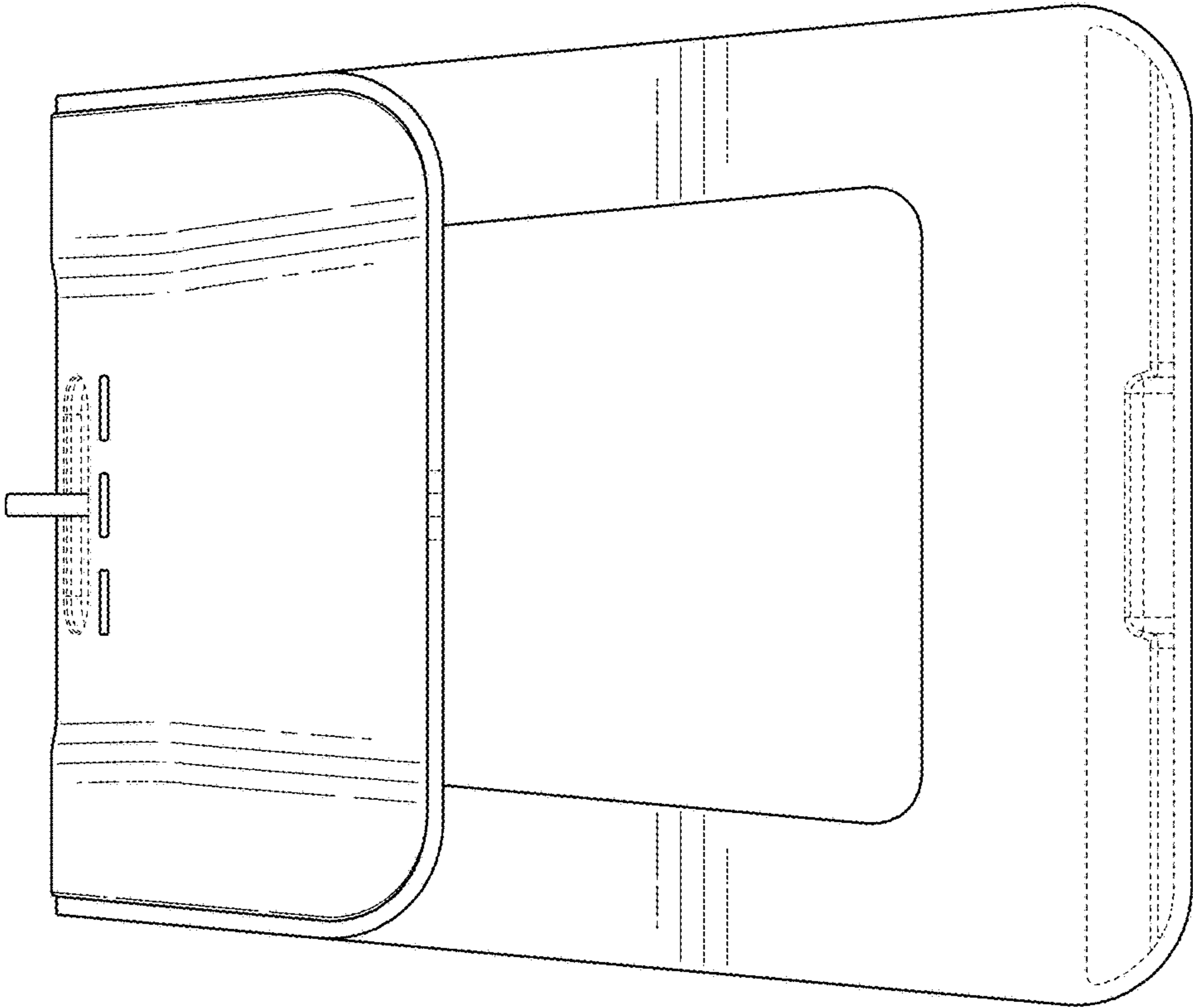


FIG. 7

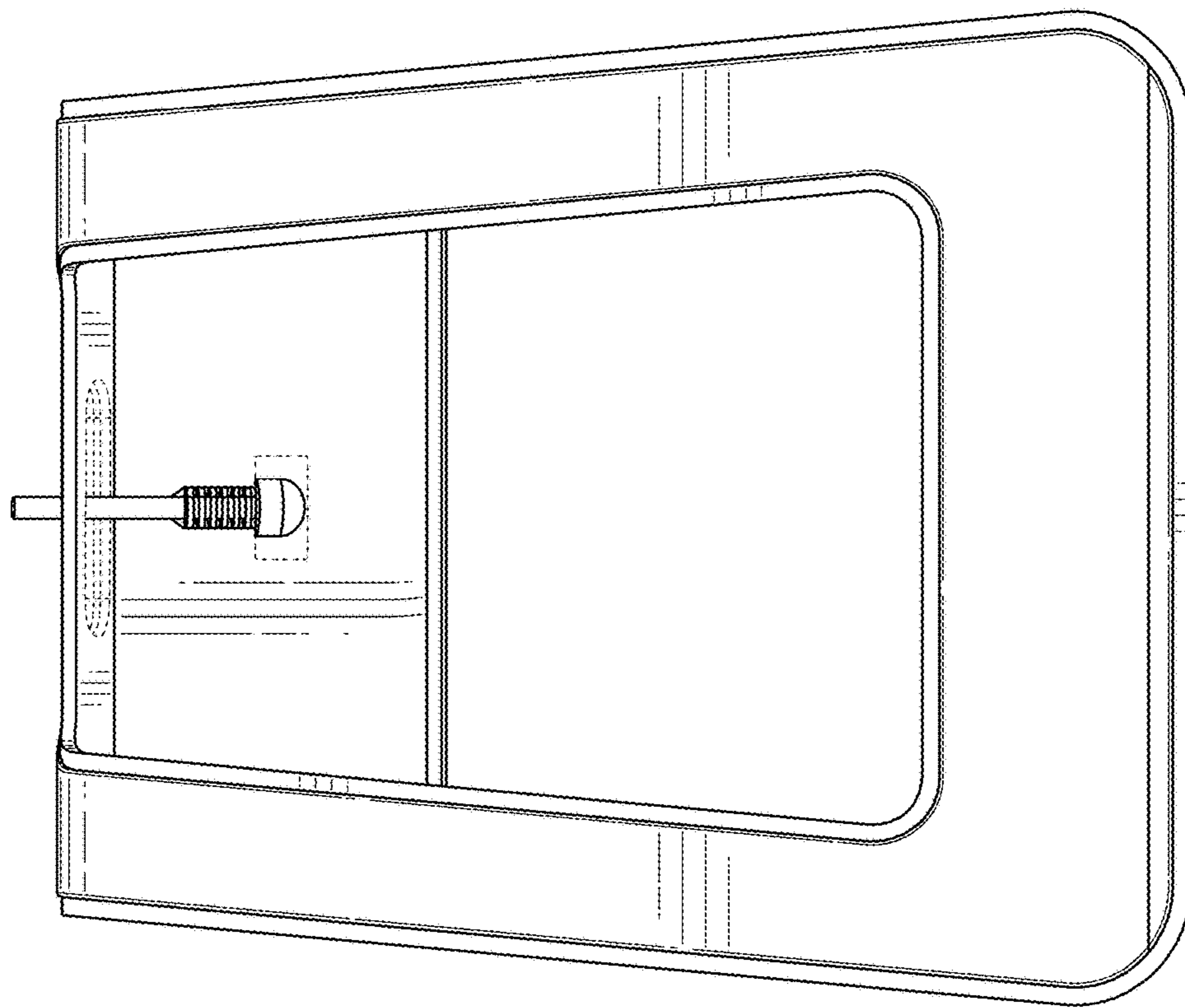


FIG. 8