



US00D857023S

(12) **United States Design Patent** (10) **Patent No.:** **US D857,023 S**
Hyun (45) **Date of Patent:** **** Aug. 20, 2019**

- (54) **CASE FOR TABLET COMPUTER**
- (71) Applicant: **SPIGEN KOREA CO., LTD.**, Seoul (KR)
- (72) Inventor: **Young Kwang Hyun**, Seoul (KR)
- (73) Assignee: **SPIGEN KOREA CO., LTD.**, Seoul (KR)
- (**) Term: **15 Years**
- (21) Appl. No.: **29/667,655**
- (22) Filed: **Oct. 23, 2018**
- (51) **LOC (12) Cl.** **14-02**
- (52) **U.S. Cl.**
USPC **D14/440**
- (58) **Field of Classification Search**
USPC D14/440, 447, 250; 206/45.23, 320, 206/45.2; 361/679.55; 294/25; 224/218
CPC ... G06F 1/1628; G06F 1/1626; A47B 23/044; H04B 1/3888
See application file for complete search history.

(56) **References Cited**

U.S. PATENT DOCUMENTS

- D658,186 S 4/2012 Akana et al.
- D658,187 S 4/2012 Diebel
- D658,188 S 4/2012 Diebel
- D662,100 S 6/2012 Van Den Nieuwenhuizen et al.
- D663,304 S 7/2012 Akana et al.
- D671,114 S 11/2012 Akana et al.
- D671,948 S 12/2012 Akana et al.
- D674,799 S 1/2013 Kim
- D674,800 S 1/2013 Kim
- D678,260 S 3/2013 Bau
- D681,641 S 5/2013 Van Den Nieuwenhuizen et al.
- D682,836 S 5/2013 Akana et al.
- D682,837 S 5/2013 Lee et al.
- D682,838 S 5/2013 Akana et al.
- D685,803 S 7/2013 Akana et al.

- D687,438 S 8/2013 Lu
- D688,251 S 8/2013 Akana et al.
- D689,498 S 9/2013 Akana et al.
- D691,142 S 10/2013 Diebel
- D691,143 S 10/2013 Diebel
- D691,611 S 10/2013 Kirzinger
- D694,523 S 12/2013 Chiang
- D694,741 S 12/2013 Kim
- D696,253 S 12/2013 Akana et al.
- D696,256 S 12/2013 Piedra et al.

(Continued)

Primary Examiner — Cynthia R Underwood

(74) *Attorney, Agent, or Firm* — Heedong Chae; Lucem, PC

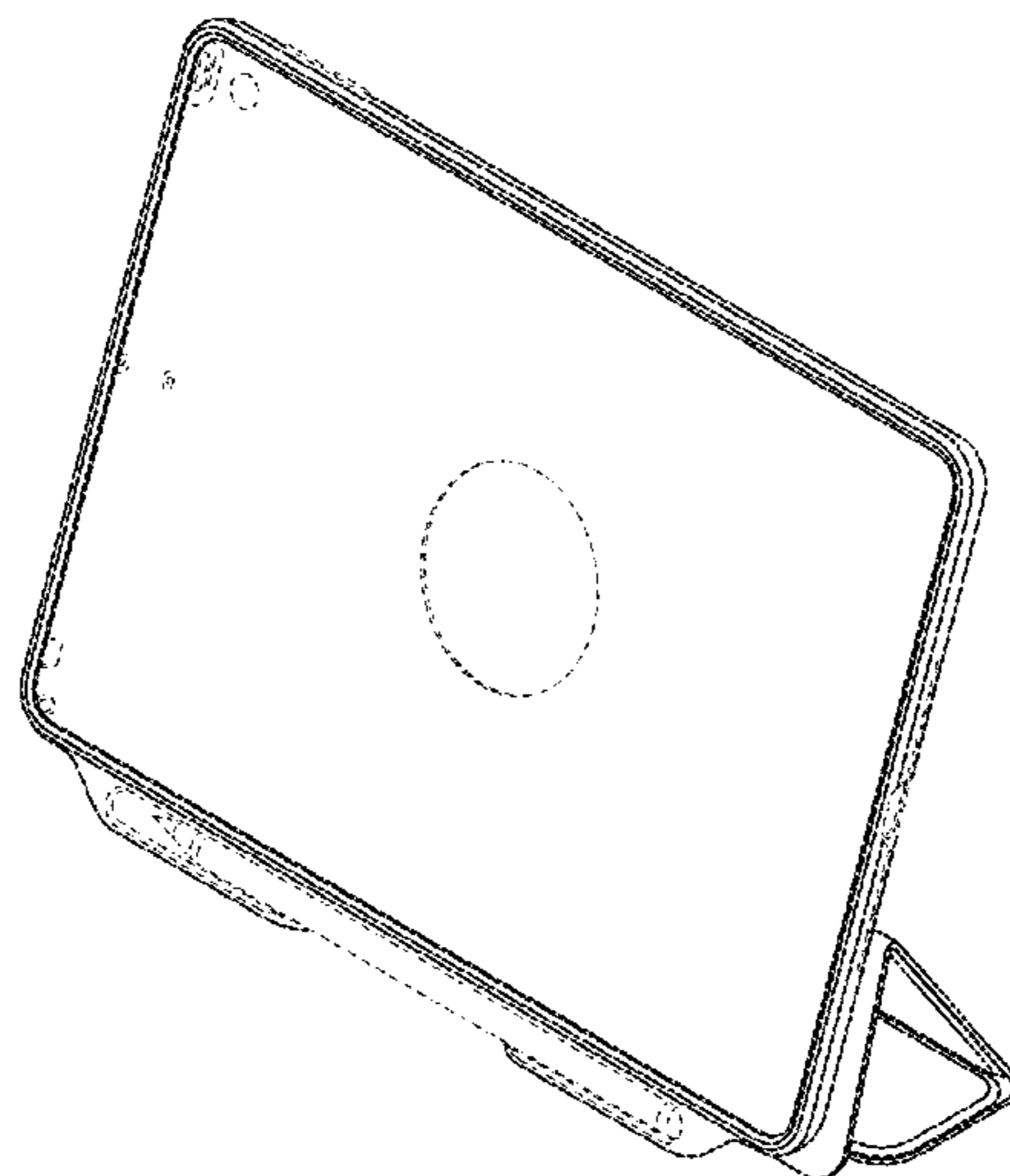
(57) **CLAIM**

The ornamental design for a case for tablet computer, as shown and described.

DESCRIPTION

FIG. 1 is a front perspective view of a case for tablet computer showing my new design;
 FIG. 2 is a rear perspective view thereof;
 FIG. 3 is a front elevational view thereof;
 FIG. 4 is a rear elevational view thereof;
 FIG. 5 is a left side elevational view thereof;
 FIG. 6 is a right side elevational view thereof;
 FIG. 7 is a top plan view thereof;
 FIG. 8 is a bottom plan view thereof;
 FIG. 9 is a front perspective view thereof in an open position;
 FIG. 10 is a front perspective view thereof in its folded configuration; and,
 FIG. 11 is a front perspective view thereof in its folded configuration with a stylus pen therein.
 The broken lines throughout the drawing figures depict portions of the case that form no part of the claimed design. The broken lines and regions bounded by broken lines form no part of the claimed design.

1 Claim, 11 Drawing Sheets



(56)

References Cited

U.S. PATENT DOCUMENTS

D696,669 S	12/2013	Akana et al.	D792,884 S	7/2017	Nyholm
D697,512 S	1/2014	Akana et al.	D807,365 S	1/2018	Liu
D701,205 S	3/2014	Akana et al.	D819,038 S	5/2018	Diebel
D702,673 S	4/2014	Murchison et al.	D820,838 S	6/2018	Akana et al.
D703,209 S	4/2014	Marcus	D827,650 S	9/2018	Diebel
D704,702 S	5/2014	Akana et al.	2008/0167095 A1 *	7/2008	Kim H04M 1/0216
D706,270 S	6/2014	Akana et al.			455/575.3
D708,172 S	7/2014	Ryu et al.	2009/0159763 A1 *	6/2009	Kim F16M 13/00
D711,887 S	8/2014	Akana et al.			248/174
D713,402 S	9/2014	Akana et al.	2009/0194209 A1 *	8/2009	De Filippis A45C 11/00
D713,848 S	9/2014	Akana et al.			150/107
D720,355 S	12/2014	Akana et al.	2012/0268891 A1 *	10/2012	Cencioni G06F 1/1626
D723,020 S	2/2015	Kim et al.			361/679.55
D723,038 S	2/2015	Kim	2013/0088431 A1 *	4/2013	Ballagas G06F 1/1626
D723,041 S	2/2015	Kim			345/168
D724,090 S	3/2015	Kim et al.	2013/0223005 A1 *	8/2013	Smith G06F 1/1628
D727,919 S	4/2015	Melmon et al.			361/679.55
D730,362 S	5/2015	Akana et al.	2013/0233762 A1 *	9/2013	Balaji B65D 25/00
D735,205 S	7/2015	Akana et al.			206/736
D740,292 S	10/2015	Akana et al.	2013/0241381 A1 *	9/2013	Hynecek H05K 5/0217
D745,011 S	12/2015	Akana et al.			312/240
D750,632 S	3/2016	Diebel	2014/0246340 A1 *	9/2014	Jiang A45C 11/00
D752,593 S *	3/2016	Diebel G06F 1/1679			206/45.23
		D14/440	2015/0065208 A1 *	3/2015	Balaji H04M 1/04
					455/575.8
D754,654 S	4/2016	Akana et al.	2015/0151887 A1 *	6/2015	Huang A45C 11/00
D760,232 S	6/2016	Akana et al.			224/191
D761,267 S	7/2016	Chen et al.	2015/0237979 A1 *	8/2015	Huang A45C 11/00
D765,637 S	9/2016	Lay et al.			206/45.25
D765,639 S	9/2016	Lay et al.	2015/0263776 A1 *	9/2015	Shyu A45C 13/002
D770,457 S	11/2016	Massucco et al.			455/575.8
D773,454 S	12/2016	Akana et al.	2015/0266610 A1 *	9/2015	Melmon B65D 5/5206
D773,470 S	12/2016	Akana et al.			206/45.23
D779,485 S	2/2017	Akana et al.	2015/0280768 A1 *	10/2015	Huang H04B 1/3888
D784,995 S	4/2017	Akana et al.			455/575.8

* cited by examiner

FIG. 1

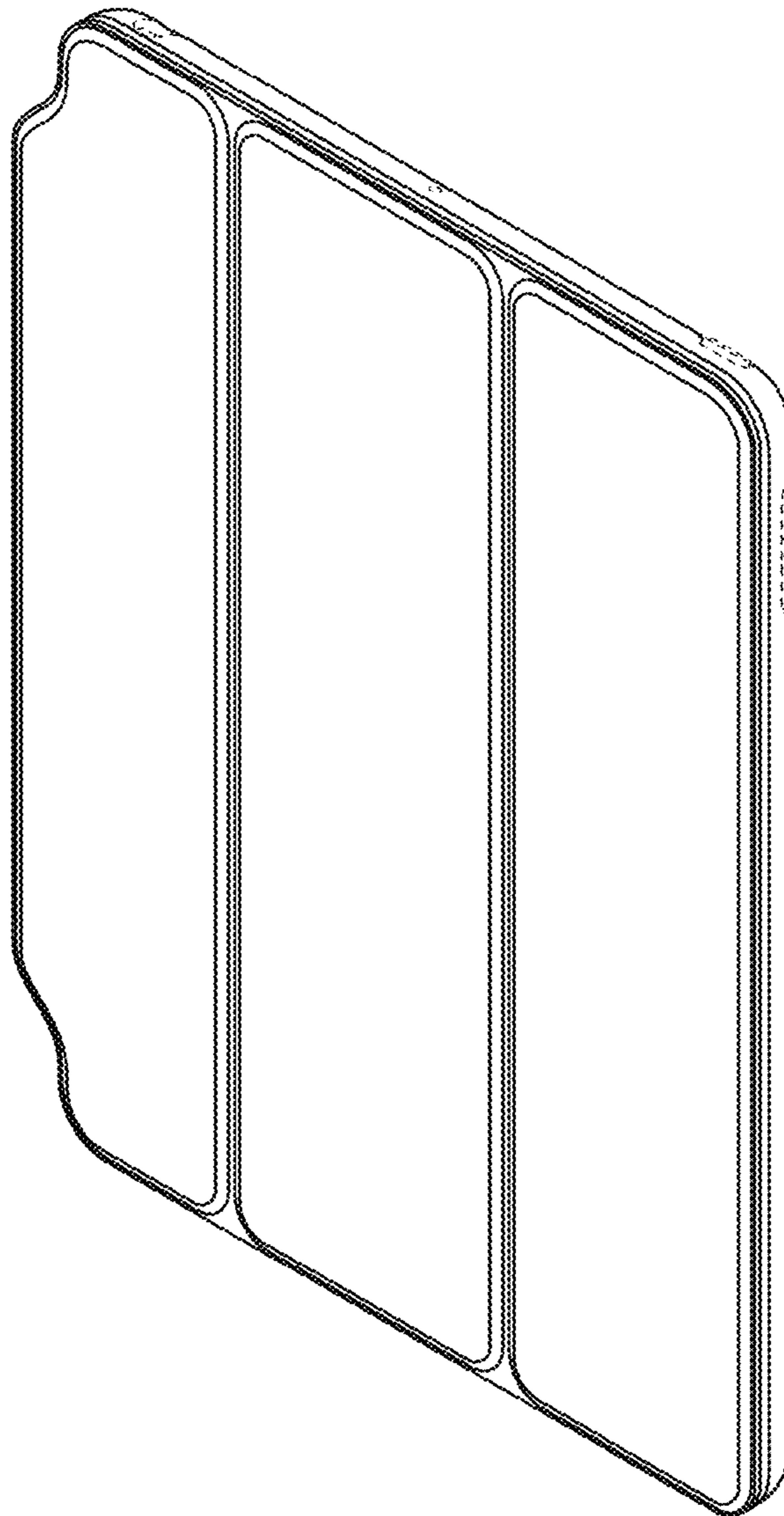


FIG. 2

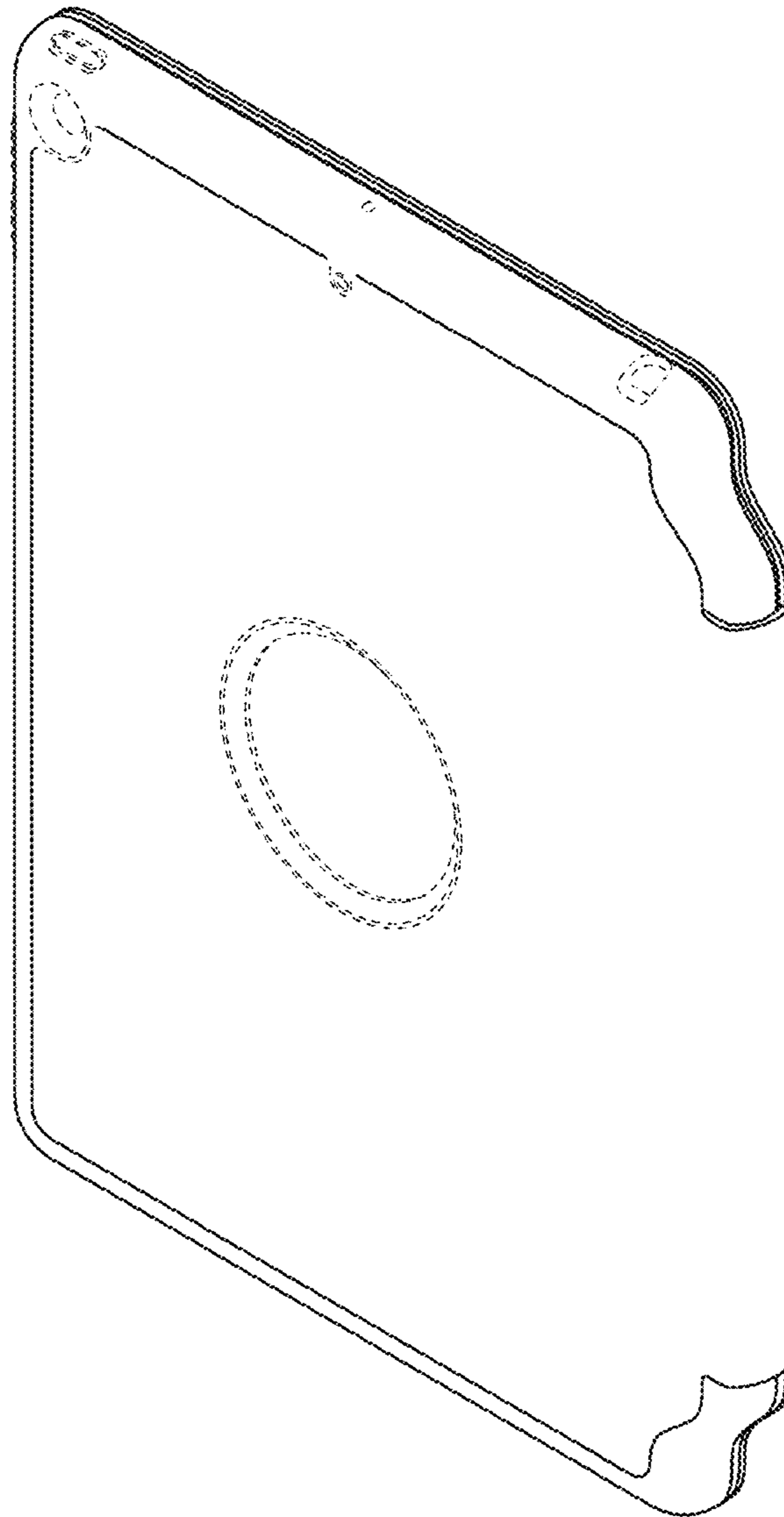


FIG. 3

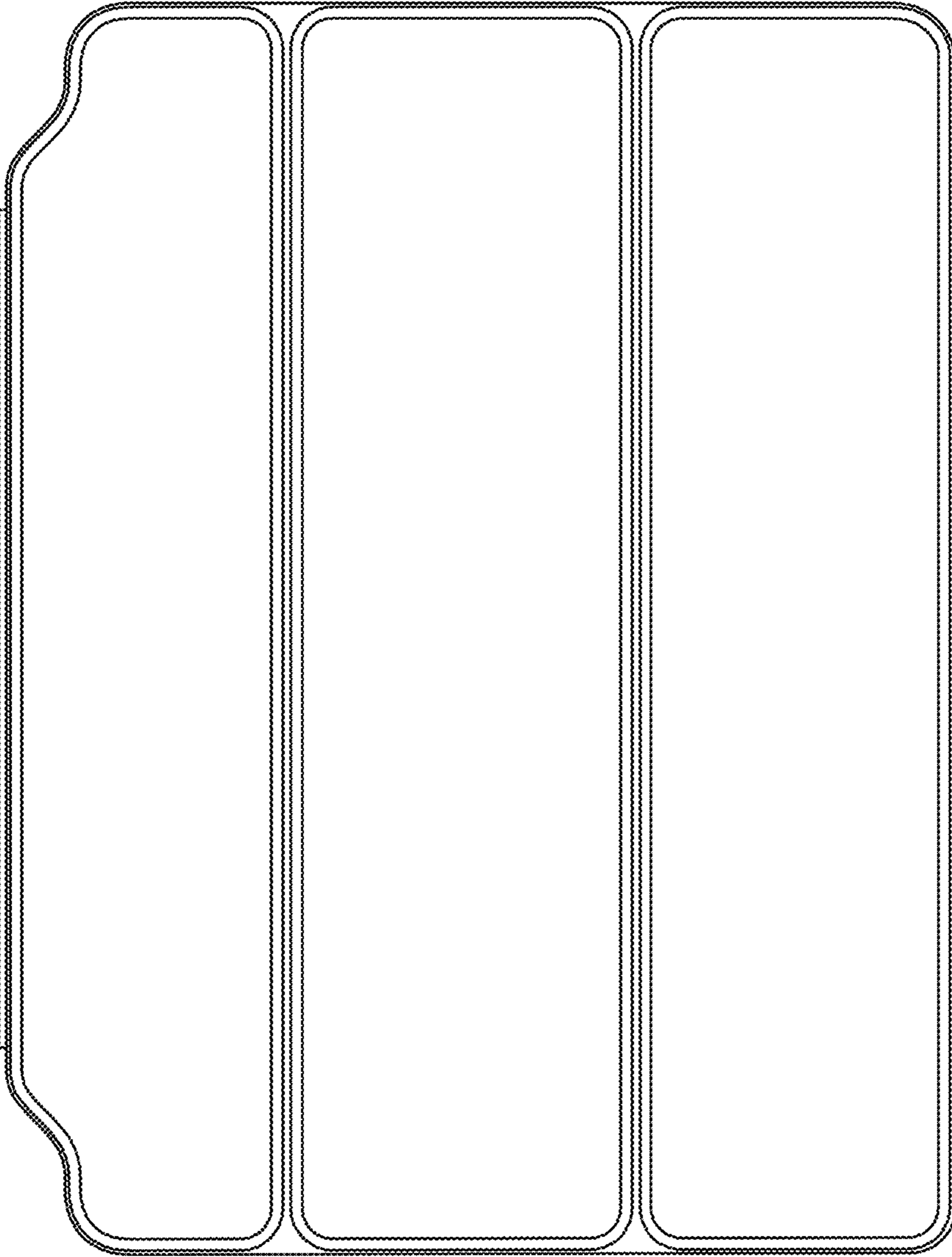


FIG. 4

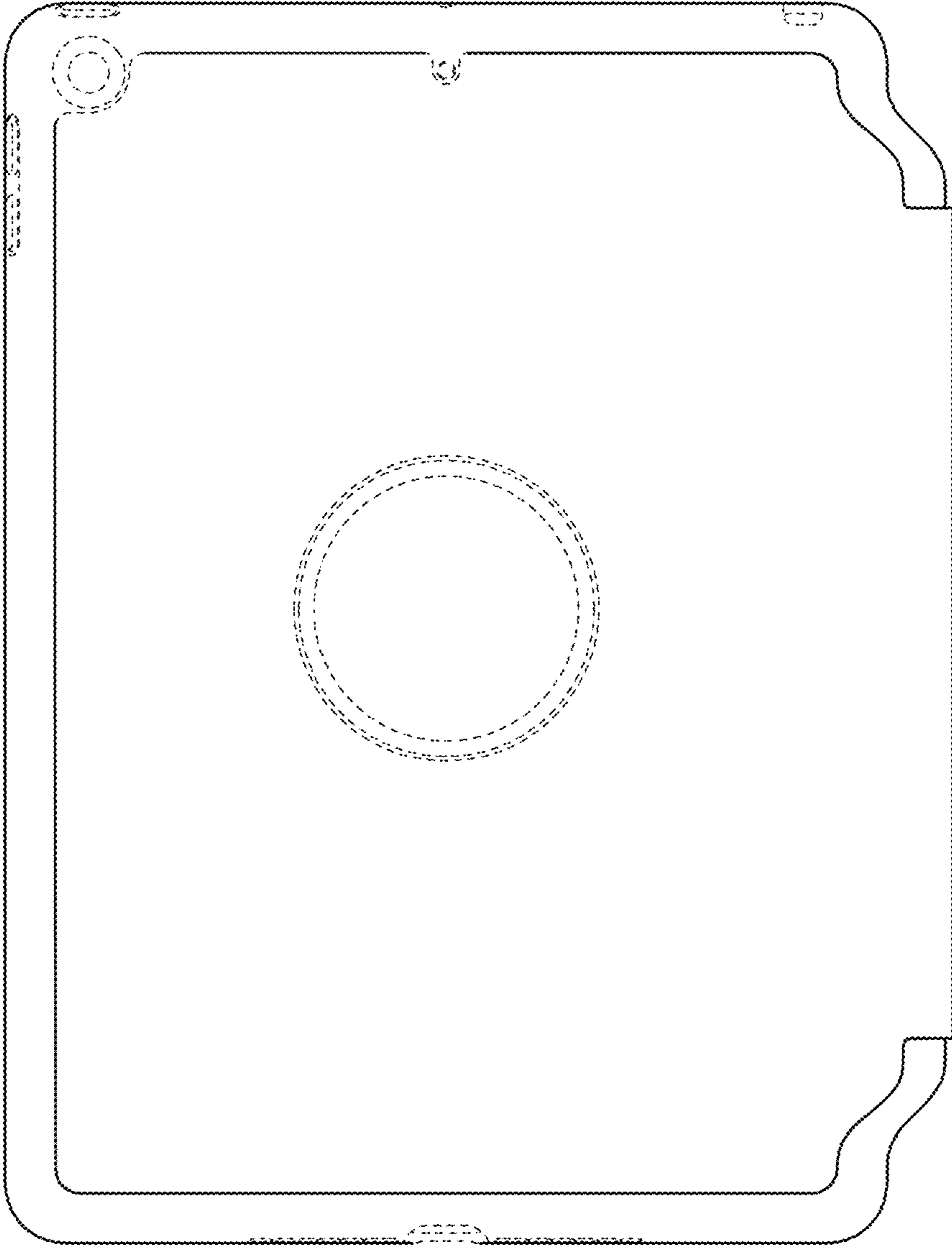


FIG. 5



FIG. 6



FIG. 7

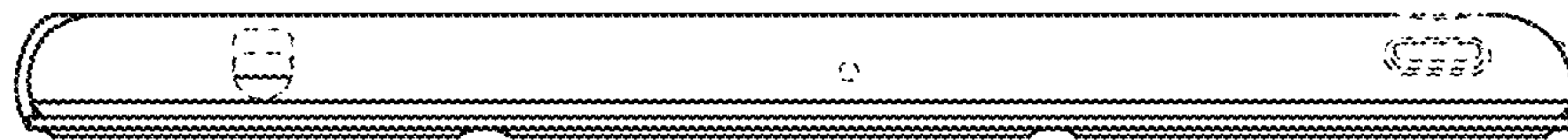


FIG. 8



FIG. 9

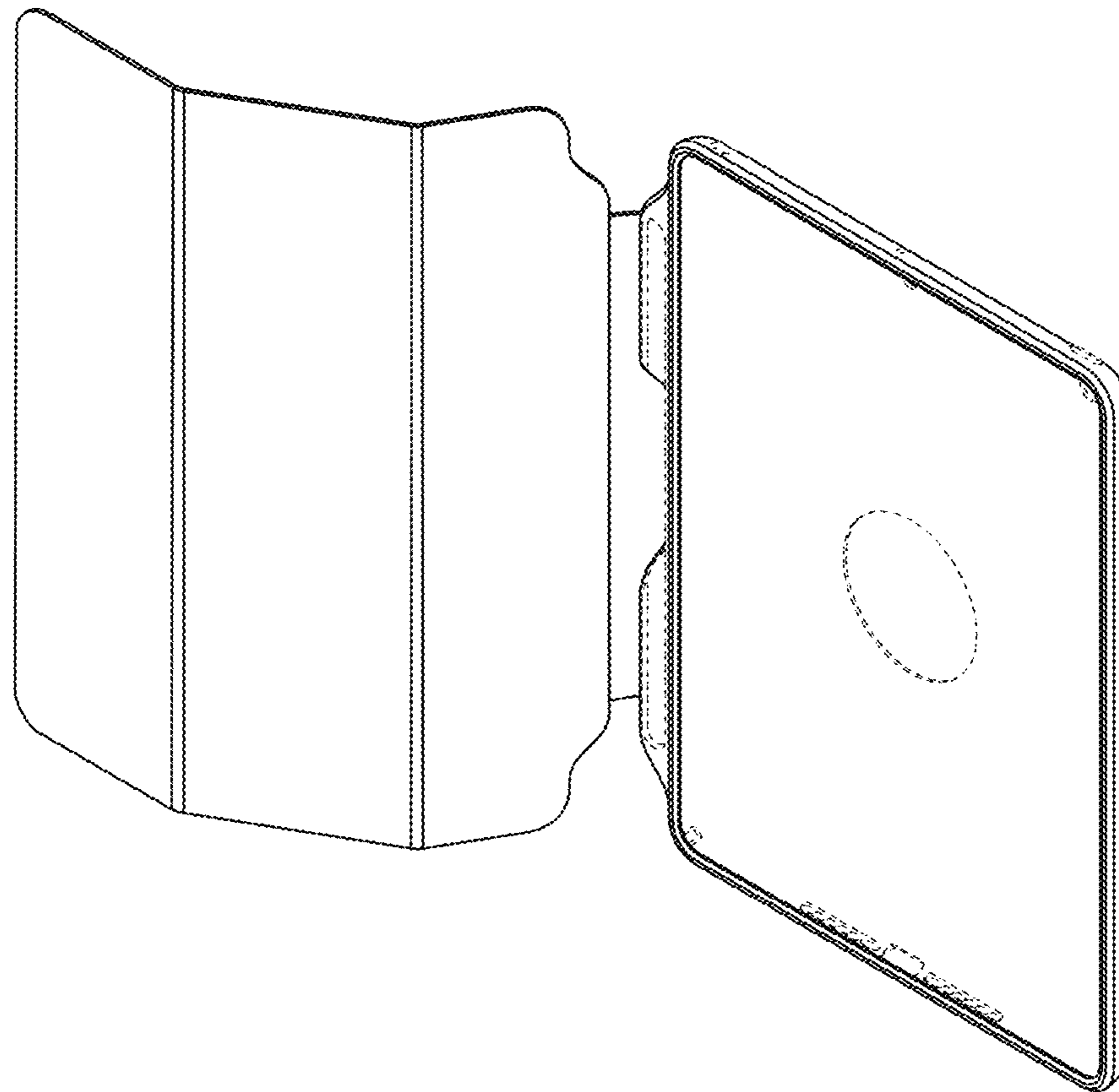


FIG. 10

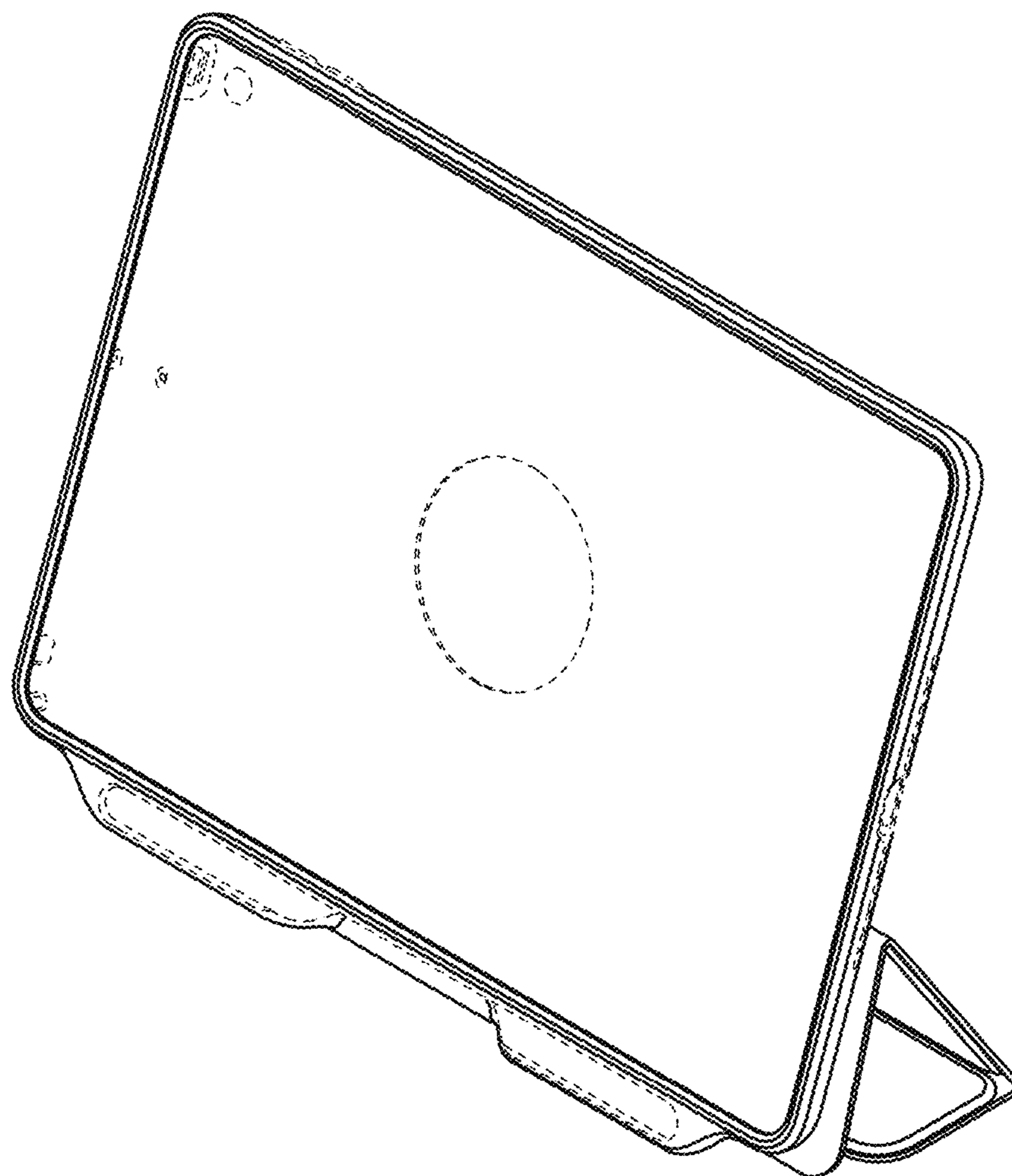


FIG. 11

