



US00D857022S

(12) **United States Design Patent** (10) **Patent No.:** **US D857,022 S**
Tur (45) **Date of Patent:** **** Aug. 20, 2019**

(54) **TEACH PENDANT BUMPER** D674,803 S * 1/2013 Westrup A45C 3/02
D14/440
(71) Applicant: **ROBOWORLD MOLDED** D678,262 S 3/2013 Prato
PRODUCTS, LLC, West Chester, OH D678,298 S * 3/2013 Burrige D14/447
(US) D681,483 S 5/2013 Biegert et al.
D688,582 S 8/2013 Wilson
(72) Inventor: **Christian A. Tur**, West Chester, OH D688,967 S 9/2013 Wilson
(US) 8,523,124 B2 9/2013 Yuan et al.
D692,006 S 10/2013 Fujioka
(Continued)

(73) Assignee: **ROBOWORLD MOLDED**
PRODUCTS, LLC, West Chester, OH
(US)

(**) Term: **15 Years**

(21) Appl. No.: **29/653,642**

(22) Filed: **Jun. 18, 2018**

(51) **LOC (12) Cl.** **14-02**

(52) **U.S. Cl.**
USPC **D14/440**

(58) **Field of Classification Search**
USPC 206/320; D14/440, 447, 250;
361/679.55; 294/25; 224/218
See application file for complete search history.

(56) **References Cited**

U.S. PATENT DOCUMENTS

5,887,723 A	3/1999	Myles et al.	
D413,582 S	9/1999	Tompkins	
D480,720 S	10/2003	Sjoberg et al.	
D531,524 S	11/2006	Behling	
D581,421 S	11/2008	Richardson et al.	
D638,324 S	5/2011	Tang	
D643,433 S	8/2011	Hsieh et al.	
D647,107 S	10/2011	Akana et al.	
D649,144 S *	11/2011	Fathollahi D14/250
D656,135 S	3/2012	Swartz et al.	
8,256,612 B1	9/2012	Wang	
D671,930 S	12/2012	Akana et al.	
D674,789 S	1/2013	Wen	

OTHER PUBLICATIONS

Underwood, Cynthia R.; Notice of Allowance for U.S. Appl. No. 29/623,900; U.S. Patent and Trademark Office; Alexandria, Virginia; dated Sep. 12, 2018.

Primary Examiner — Cynthia R Underwood

(74) *Attorney, Agent, or Firm* — Thomas E. Lees, LLC

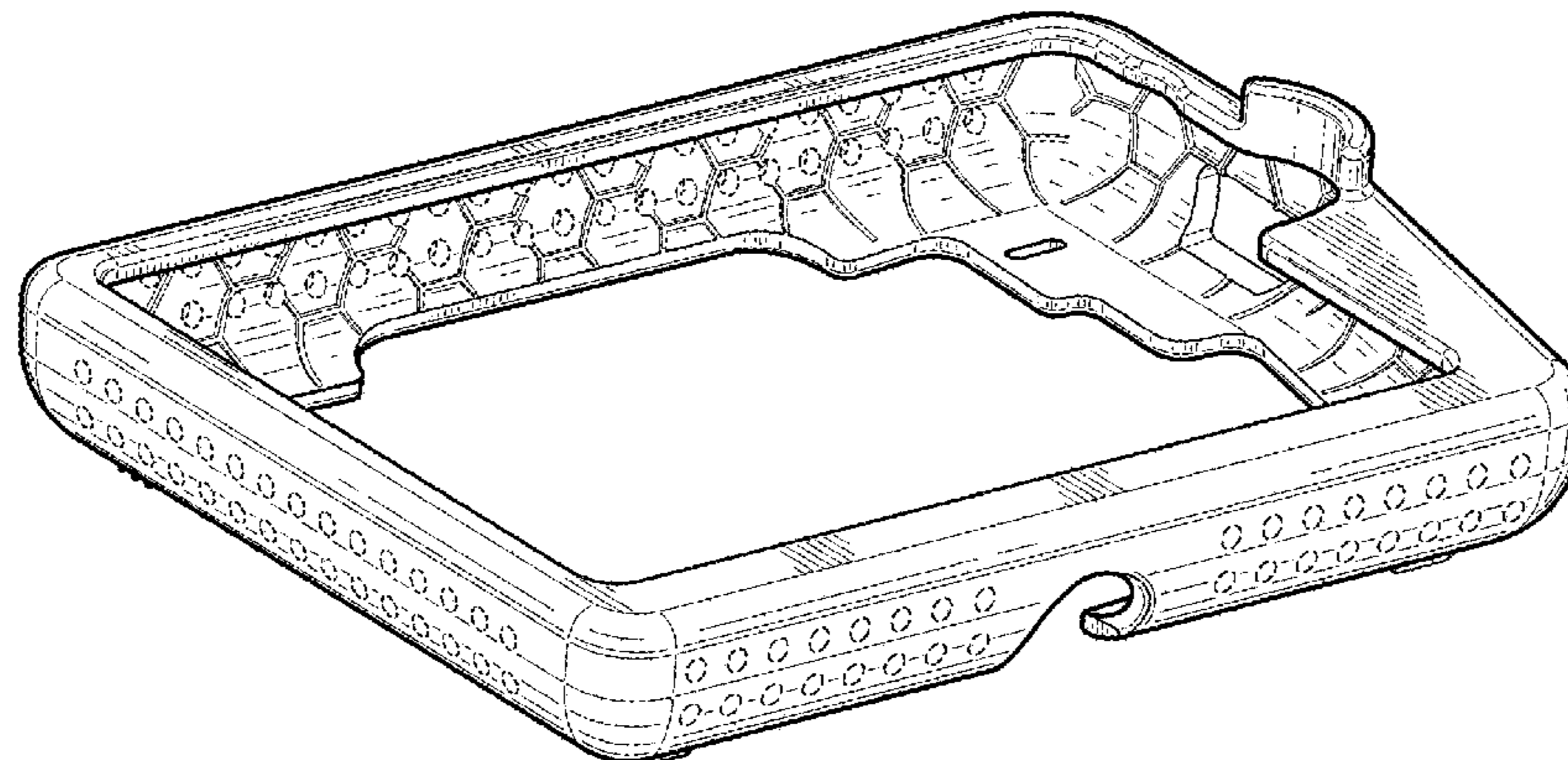
(57) **CLAIM**

The ornamental design for a teach pendant bumper, as shown and described.

DESCRIPTION

FIG. 1 is a perspective view of a teach pendant bumper; FIG. 2 is a left side elevational view of the teach pendant bumper; FIG. 3 is a right side elevational view of the teach pendant bumper; FIG. 4 is a rear side elevational view of the teach pendant bumper; FIG. 5 is a front side elevational view of the teach pendant bumper; FIG. 6 is a top plan view of the teach pendant bumper; and, FIG. 7 is a bottom plan view of the teach pendant bumper. The broken lines represent portions of the structure that forms no part of the claim.

1 Claim, 5 Drawing Sheets



(56)

References Cited

U.S. PATENT DOCUMENTS

D693,709 S 11/2013 Lee et al.
 D703,649 S 4/2014 Wikel et al.
 D711,866 S 8/2014 Kawata
 D714,295 S 9/2014 Fujioka
 D716,285 S * 10/2014 Chaney A45C 11/00
 D14/250
 D716,312 S 10/2014 Fujioka
 D717,304 S 11/2014 Yturralde et al.
 D717,804 S * 11/2014 Budge D14/447
 D719,144 S * 12/2014 Eulette D14/250
 D723,016 S 2/2015 Lee et al.
 D728,549 S 5/2015 Su et al.
 D728,552 S 5/2015 Kim et al.
 D728,553 S 5/2015 Kim et al.
 D729,787 S 5/2015 Soekoro
 D730,225 S 5/2015 Behar
 D733,696 S * 7/2015 Burgett D14/250
 D735,198 S 7/2015 Song
 D735,199 S 7/2015 Song
 D735,200 S 7/2015 Song
 D735,586 S 8/2015 Stegmann
 D735,724 S 8/2015 Song
 D736,103 S 8/2015 Behling
 D736,777 S 8/2015 Rayner
 D742,869 S * 11/2015 Odhwani D14/250
 D747,707 S 1/2016 Roberts et al.
 D751,558 S 3/2016 Lee
 D752,044 S 3/2016 Akana et al.
 D754,133 S 4/2016 Chen et al.
 D756,344 S 5/2016 Roberts et al.
 D761,263 S 7/2016 Brinkman et al.
 D762,201 S 7/2016 Tseng et al.
 D762,202 S 7/2016 Tseng et al.
 D762,203 S 7/2016 Chin et al.
 D764,476 S 8/2016 Gleason, III et al.
 D764,477 S 8/2016 Su et al.
 D766,904 S 9/2016 Jung
 D766,905 S 9/2016 Lee
 D766,906 S 9/2016 Kim
 D767,573 S 9/2016 Kim
 D768,122 S 10/2016 Buffone
 D768,123 S * 10/2016 Armstrong D14/250
 D769,879 S 10/2016 Kim

D770,458 S * 11/2016 Corcoran D14/440
 D772,288 S * 11/2016 Montes D14/488
 D779,495 S 2/2017 Tur
 D779,496 S 2/2017 Tur
 D780,185 S 2/2017 Tur
 D780,764 S 3/2017 Tur
 D780,765 S 3/2017 Tur
 D781,295 S 3/2017 Tur
 D781,296 S 3/2017 Tur
 D781,864 S 3/2017 Tur
 D782,487 S 3/2017 Tur
 D786,879 S 5/2017 Kim
 D790,512 S * 6/2017 Lee D14/217
 D790,528 S * 6/2017 Lindloff D14/253
 D792,886 S 7/2017 Schwibner et al.
 D794,626 S * 8/2017 Armstrong D14/250
 D801,341 S 10/2017 Tur
 D801,342 S 10/2017 Tur
 D806,082 S * 12/2017 Armstrong D14/440
 D817,334 S 5/2018 Fenton et al.
 D824,397 S 7/2018 Charlesworth et al.
 D825,571 S * 8/2018 Shannon, III D14/440
 D832,269 S * 10/2018 Cheng D14/440
 D832,272 S * 10/2018 Tur D14/440
 D834,029 S * 11/2018 Wengreen D14/447
 D841,636 S * 2/2019 Turk B60R 11/02
 D14/250
 D842,861 S * 3/2019 Bailey D14/440
 D844,621 S * 4/2019 Chen D14/440
 D846,542 S * 4/2019 Sasaki D14/250
 2006/0274493 A1 12/2006 Richardson et al.
 2010/0061191 A1 3/2010 Chen
 2010/0243516 A1 9/2010 Martin et al.
 2011/0297578 A1 12/2011 Stiehl et al.
 2012/0043236 A1 2/2012 Szucs et al.
 2012/0182678 A1 7/2012 Wu et al.
 2012/0257340 A1 10/2012 Kim
 2012/0321294 A1 12/2012 Tages et al.
 2013/0148271 A1 6/2013 Huang
 2013/0210503 A1 8/2013 Keesling et al.
 2013/0222139 A1 8/2013 Gouge et al.
 2013/0270851 A1 * 10/2013 Konyha A45F 5/00
 294/142
 2014/0216953 A1 8/2014 Su et al.
 2017/0210303 A1 * 7/2017 Luis y Prado B60R 11/04

* cited by examiner

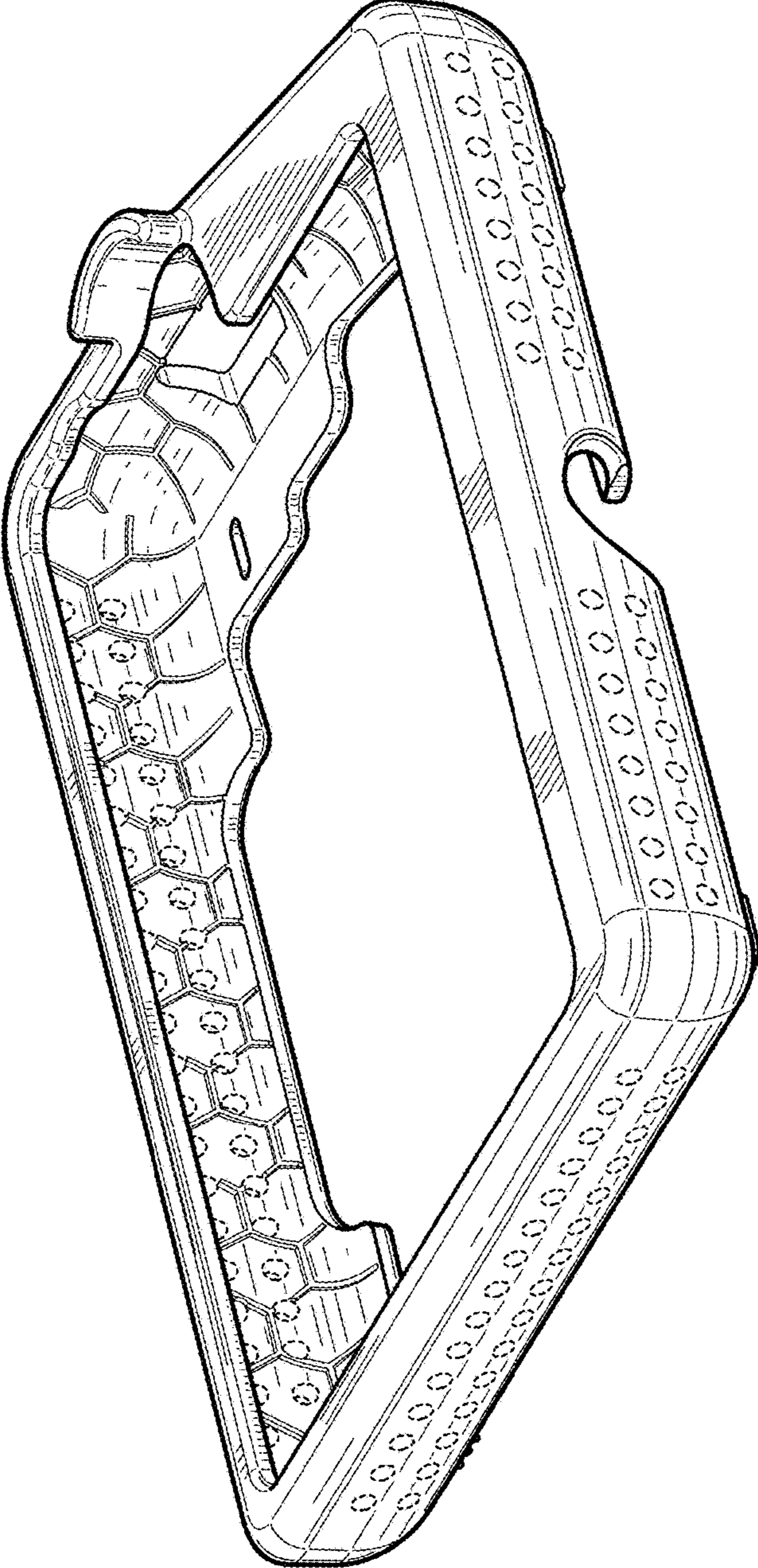


FIG. 1

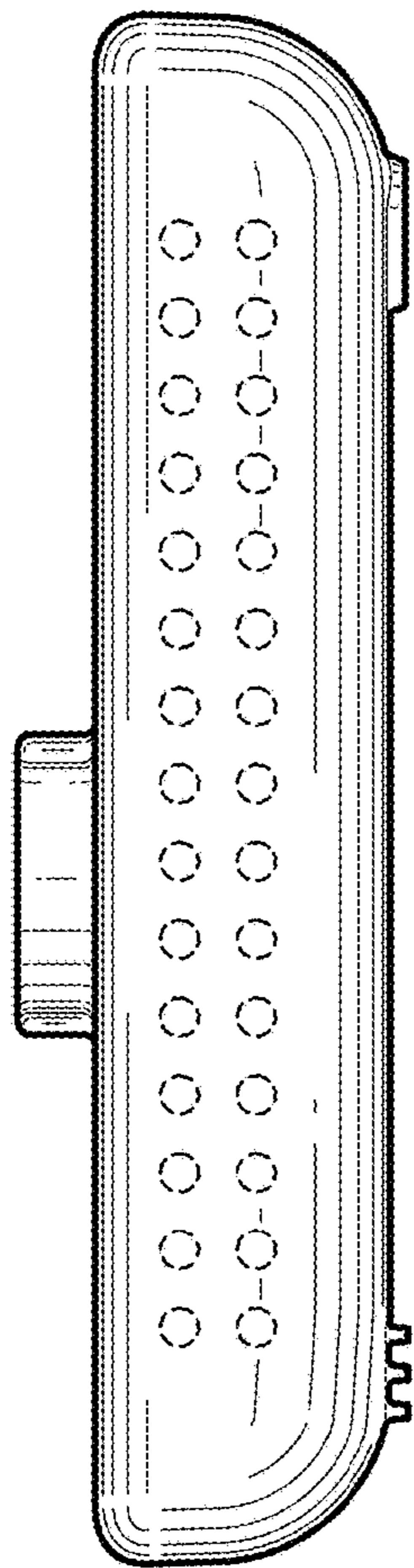


FIG. 2

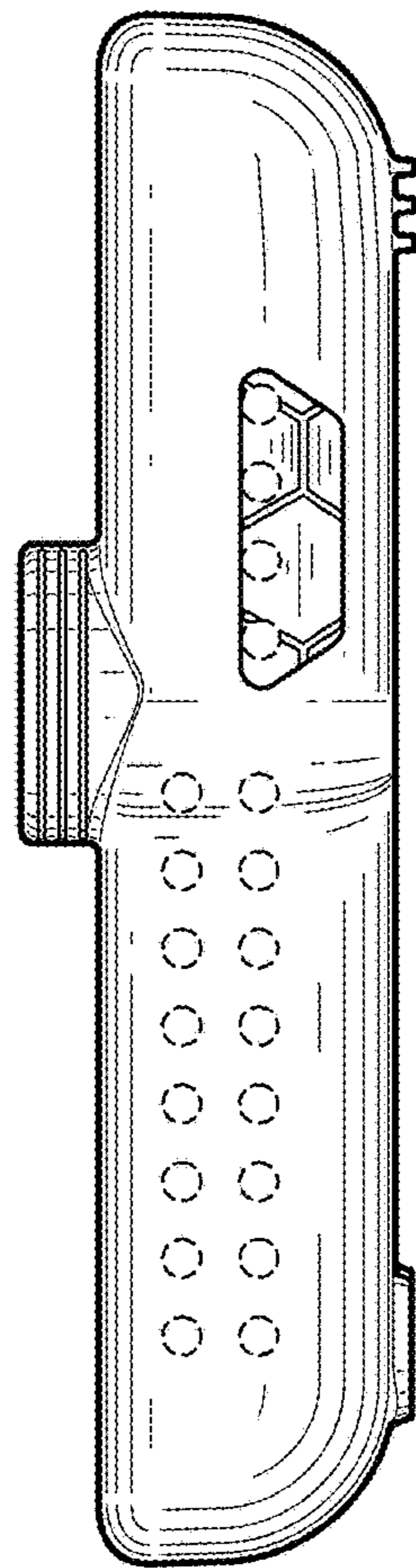


FIG. 3

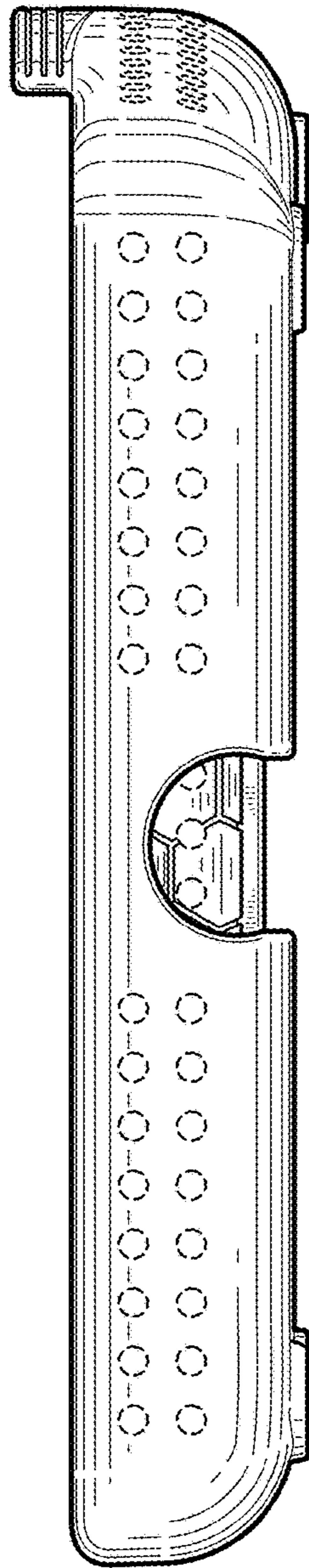


FIG. 4

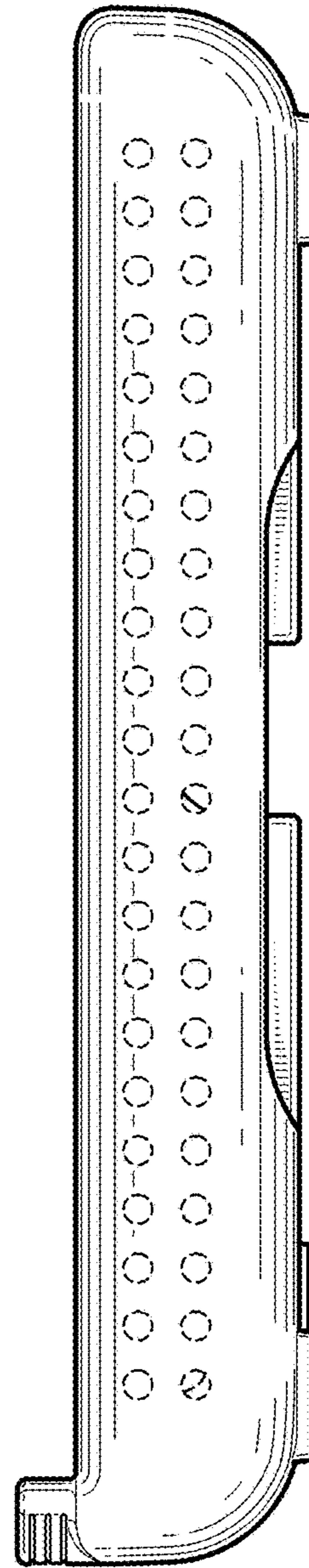


FIG. 5

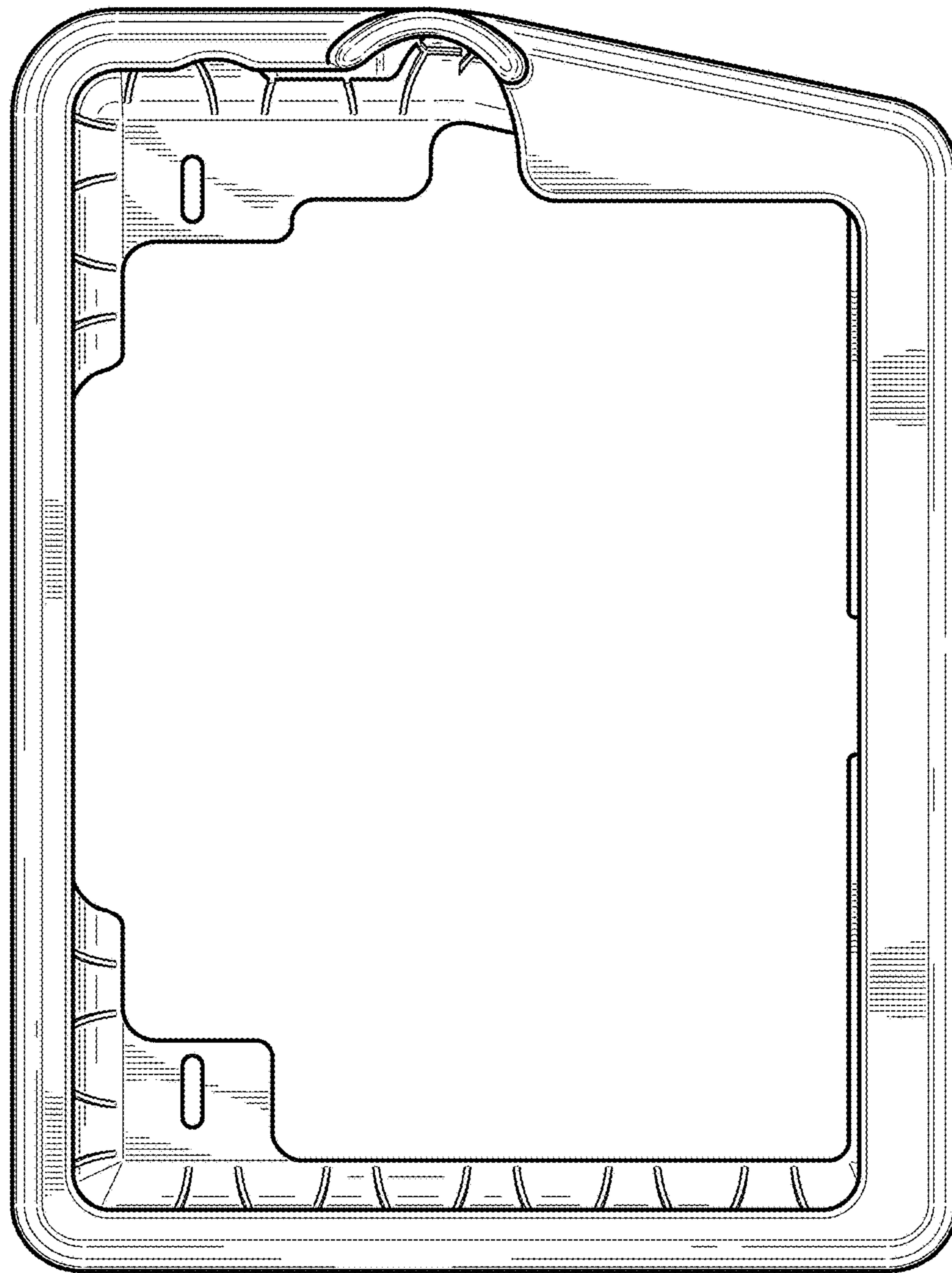


FIG. 6

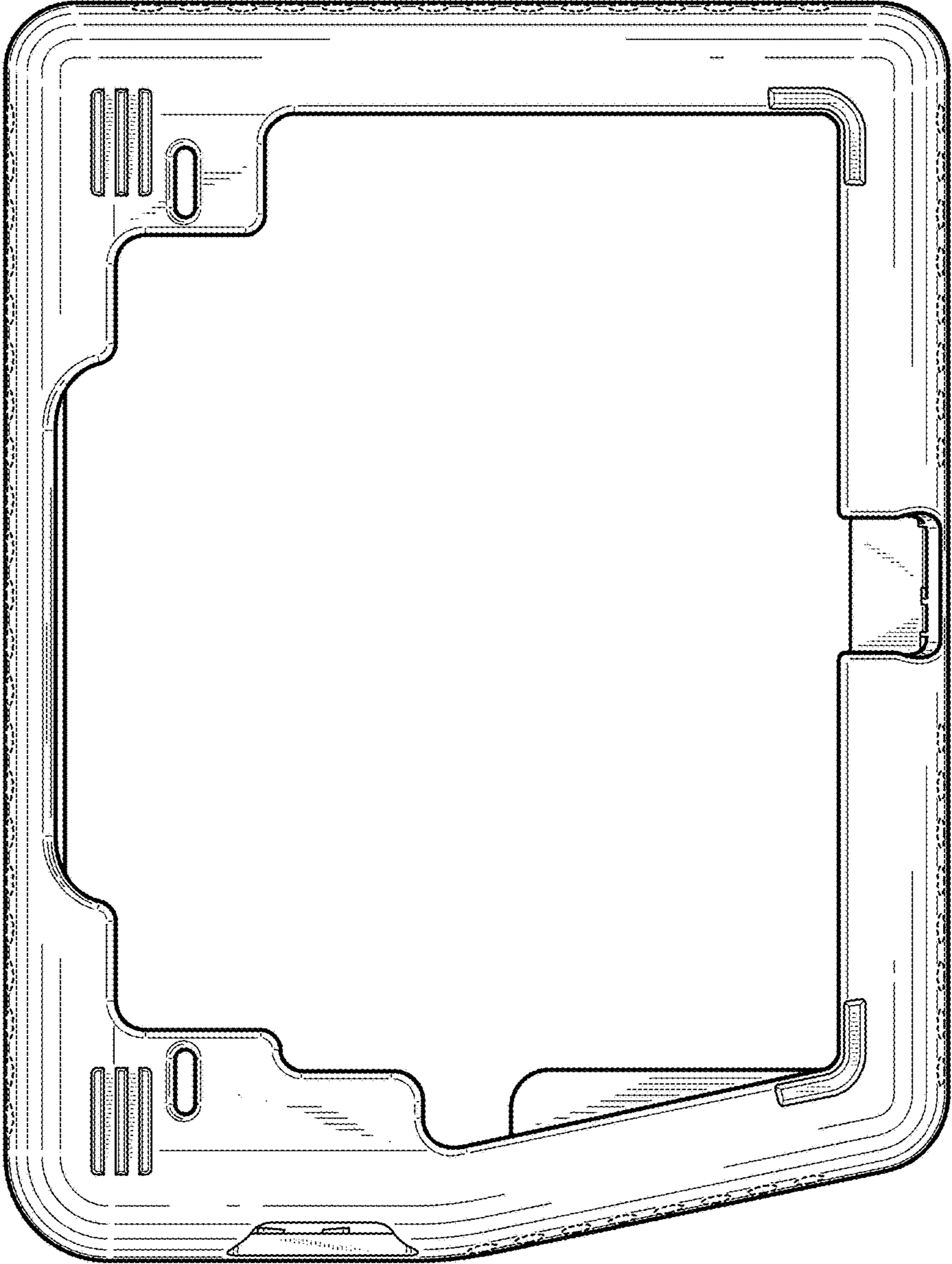


FIG. 7