



US00D857021S

(12) **United States Design Patent** (10) **Patent No.:** **US D857,021 S**
Ohta et al. (45) **Date of Patent:** **** Aug. 20, 2019**

(54) **PIEZOELECTRIC ELEMENT**

(71) Applicant: **TDK CORPORATION**, Tokyo (JP)

(72) Inventors: **Yoshiki Ohta**, Tokyo (JP); **Kazuo Nagata**, Tokyo (JP); **Shuto Ono**, Tokyo (JP); **Mio Hamashima**, Tokyo (JP)

(73) Assignee: **TDK CORPORATION**, Tokyo (JP)

(**) Term: **15 Years**

(21) Appl. No.: **29/585,436**

(22) Filed: **Nov. 23, 2016**

(30) **Foreign Application Priority Data**

May 25, 2016 (JP) 2016-011152

(51) **LOC (12) Cl.** **14-02**

(52) **U.S. Cl.**

USPC **D14/435**; D13/182

(58) **Field of Classification Search**

USPC D14/435, 356, 242, 436, 433, 474, 240, D14/496, 385, 358, 480.1-480.7; 360/294.4, 97.01, 685, 686, 752, 737, 360/732, 784, 803; 439/135, 144, 439/139-141, 147, 136, 638, 518, 131; 365/51, 63, 131; 710/52, 300, 313; 711/115, 103, 154, 161-162; 70/58; 323/210; 713/186, 1; 382/124; 235/492; D13/147, 182, 121, 101, 184; 310/311, 310/313 R, 313 A, 320, 323.06, 327, 328, 310/344, 348, 351-353, 363-368, 314, 310/340, 358; 252/62.9 R, 62.9 PZ

CPC G06K 19/06196; G06K 19/072; G06K 19/0721-0728; G06K 19/073; G06K 19/07309; G06K 19/077; G06K 19/07701; G06K 19/07715; G06K 19/0772; G06K 19/07724; G06K 19/07726; G06K 19/07728; G06K 7/0021; G06F 21/86-88;

(Continued)

(56) **References Cited**

U.S. PATENT DOCUMENTS

3,562,792 A * 2/1971 Berlincourt et al. ... C04B 35/46
252/62.9 PZ

3,764,848 A * 10/1973 Berlincourt H01L 41/107
310/358

(Continued)

FOREIGN PATENT DOCUMENTS

JP 2007-335664 A 12/2007

Primary Examiner — Susan Moon Lee

(74) *Attorney, Agent, or Firm* — Oliff PLC

(57) **CLAIM**

The ornamental design for a piezoelectric element, as shown and described.

DESCRIPTION

FIG. 1 is a front view of a piezoelectric element of the present invention.

FIG. 2 is a rear view thereof.

FIG. 3 is a top plan view thereof.

FIG. 4 is a bottom view thereof.

FIG. 5 is a right side view thereof.

FIG. 6 is a left side view thereof.

FIG. 7 is a front perspective view thereof.

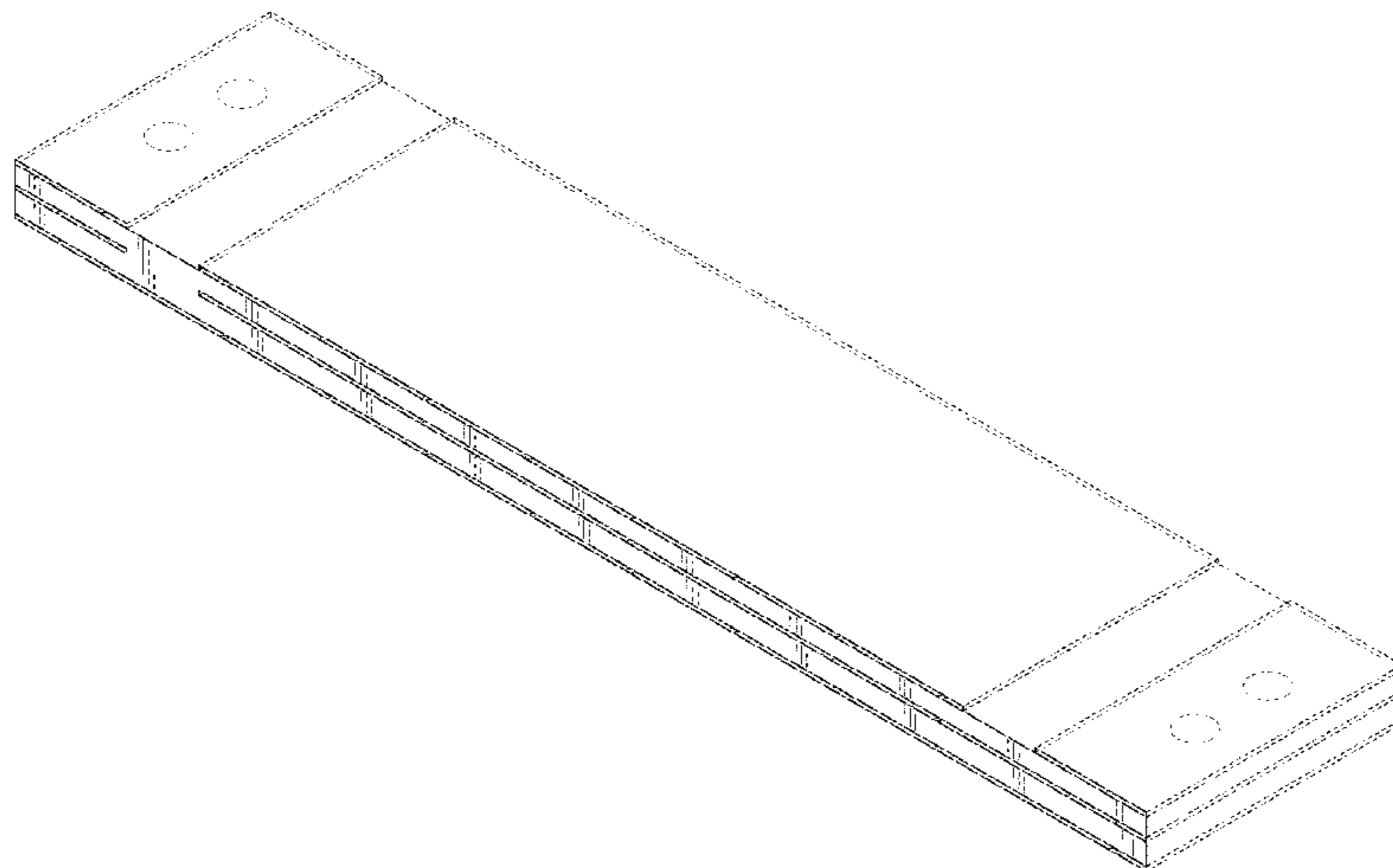
FIG. 8 is a rear perspective view thereof.

FIG. 9 is a sectional view taken along the line 9-9 of the FIG. 3 thereof.

FIG. 10 is a sectional view taken along the line 10-10 of the FIG. 4 thereof.

FIG. 11 is a reference top plan view, wherein the semi-transparent parts are shown by light grey parts thereof; and, FIG. 12 is a reference view showing the use state thereof. The broken lines depict unclaimed portions of the piezoelectric element, and thus form no part of the claimed design.

1 Claim, 12 Drawing Sheets



(58) **Field of Classification Search**

CPC G06F 21/77-80; G06F 21/85-88; G06F 21/00; G06Q 20/3229; G06Q 20/34; G06Q 20/341; G06Q 20/346; G06Q 20/349; G06Q 20/3563; G06Q 20/3567; G06Q 20/357; G06Q 20/3576; H05K 5/026; H05K 5/0256; H05K 5/0265; H05K 5/0269; H05K 5/0273; H05K 5/0278; H05K 5/0282; H05K 5/0286; H05K 5/0291; H05K 5/0295; H05K 5/03; H05K 5/04; H05K 5/06; H05K 5/061-069; H05K 7/00; H05K 7/005; H05K 7/02; H05K 7/023; H05K 7/026; H05K 2201/09745; H05K 2201/09754; H05K 2201/09763; H05K 2201/09772; H05K 2201/098; H05K 2201/09818; H05K 2201/10; H05K 2201/10007; H05K 7/04; H05K 7/10; H05K 7/1418; H05K 7/142; H05K 7/1405; H05K 7/1424; H05K 7/1427-1439; H05K 7/1461; H05K 7/1464-1474; H05K 7/1479; H05K 7/1481; H05K 7/1485-1488; H04N 2201/216; H01R 13/62933; H01R 13/62905; H01R 13/6275; H01R 13/6395; H01R 13/62938; H01R 13/64; H01R 13/645; H01R 13/6456; H01R 13/635; H01R 13/633; H01R 23/7005; H01R 23/682; H01R 23/684; H01R 23/70; H01R 23/7068; H01R 23/7026; H01R 31/065; H01R 27/02; H01R 2103/00; H01L 41/00; H01L 41/02; H01L 41/04; H01L 41/044; H01L 41/047; H01L 41/0472; H01L 41/0474; H01L 41/0475; H01L 41/08; H01L 41/0805; H01L 41/081; H01L 41/0815; H01L 41/0825; H01L 41/083; H01L 41/09; H01L 41/0966; H01L 41/0471; H01L 41/053; H03H 9/02015; H03H 9/02228; H03H 9/15; H03H 9/172; H03H 9/178; H03H 2009/02251; G11B 5/4873; G11B 5/4833; F02M 51/0603

See application file for complete search history.

(56) **References Cited**

U.S. PATENT DOCUMENTS

5,824,904 A * 10/1998 Kouhei G01P 15/0915
73/514.34
6,051,916 A * 4/2000 Kaida H03H 9/0207
310/320
6,327,120 B1 * 12/2001 Koganezawa G11B 5/5552
310/311
6,487,045 B1 * 11/2002 Yanagisawa G11B 5/5552
360/236.5
6,661,618 B2 * 12/2003 Fujiwara G11B 5/5552
360/294.4
7,034,441 B2 * 4/2006 Ono H03B 5/32
310/344
D548,176 S * 8/2007 Eto D13/103
D548,686 S * 8/2007 Eto D13/103
7,501,740 B2 * 3/2009 Hida G11B 5/5552
310/328
D604,693 S * 11/2009 Sugawara D13/101
7,759,847 B2 * 7/2010 Okamura F02M 51/0603
252/62.9 PZ
7,923,905 B2 * 4/2011 Umemiya H01L 41/0533
310/340
D647,097 S * 10/2011 Tung D14/436

8,149,545 B1 * 4/2012 Chai G11B 5/4873
360/294.3
D660,787 S * 5/2012 Lambert D13/103
8,179,021 B2 * 5/2012 Fukuda H01L 23/055
310/312
8,213,127 B2 * 7/2012 Takahashi G11B 5/4826
360/294.4
8,233,245 B2 * 7/2012 Soga G11B 5/4873
360/294.4
D666,148 S * 8/2012 Inaba D13/119
8,248,734 B2 * 8/2012 Fuchino G11B 5/4833
310/365
D686,148 S * 7/2013 Inaba D13/103
8,513,862 B2 * 8/2013 Takebayashi H03H 9/0547
310/344
D689,018 S * 9/2013 Honda D13/103
8,552,622 B2 * 10/2013 Makibuchi H01L 23/10
310/344
D693,292 S * 11/2013 Salvi D13/103
8,601,656 B2 * 12/2013 Funabiki H03H 9/1021
29/25.35
8,630,067 B2 * 1/2014 Ando G11B 5/4826
360/294.4
8,749,122 B2 * 6/2014 Aratake H03H 9/02
310/344
8,754,575 B2 * 6/2014 Ikeji H01L 41/053
310/348
8,878,554 B2 * 11/2014 Arai G11B 5/4873
324/662
D719,085 S * 12/2014 Aoyagi D13/103
9,070,392 B1 * 6/2015 Bjorstrom G11B 5/4873
D743,399 S * 11/2015 Frank D14/435
D765,625 S * 9/2016 Akana D14/248
9,755,134 B2 * 9/2017 Motani H01L 41/047
2001/0009344 A1 * 7/2001 Furukawa H01L 41/0533
310/358
2002/0064001 A1 * 5/2002 Shiraishi G11B 5/5552
360/294.4
2002/0075606 A1 * 6/2002 Nishida G11B 5/5552
360/294.4
2002/0089793 A1 * 7/2002 Nakagawa G11B 5/4873
360/294.4
2004/0084999 A1 * 5/2004 Yamauchi G01P 15/0922
310/328
2007/0231682 A1 * 10/2007 Aoyama H01M 2/021
429/160
2008/0036334 A1 * 2/2008 Kawada C01G 33/006
310/358
2008/0179994 A1 * 7/2008 Sakaguchi H03H 9/0207
310/320
2009/0072663 A1 * 3/2009 Ayazi H03B 5/326
310/320
2009/0243440 A1 * 10/2009 Kimura C04B 35/472
310/358
2010/0171393 A1 * 7/2010 Pei H01L 41/094
310/330
2011/0025168 A1 * 2/2011 Maruyama H01L 41/0906
310/323.06
2011/0084571 A1 * 4/2011 Nakatani G11B 5/4833
310/328
2012/0007468 A1 * 1/2012 White H02N 2/181
310/314
2012/0176703 A1 * 7/2012 Nojima H01L 41/338
360/244.2
2012/0248940 A1 * 10/2012 Arijji H03H 9/0595
310/348
2013/0033155 A1 * 2/2013 Glazunov H01L 41/0838
310/366
2013/0069490 A1 * 3/2013 Nakamura G11B 5/4813
310/364
2013/0088119 A1 * 4/2013 Hayashi B08B 7/026
310/311
2013/0134835 A1 * 5/2013 Kim G01S 7/521
310/346
2013/0278114 A1 * 10/2013 Hayasaka H03H 9/1021
310/344

(56)

References Cited

U.S. PATENT DOCUMENTS

2013/0300261 A1* 11/2013 Kim B06B 1/0603
310/348
2014/0021830 A1* 1/2014 Ogata H01L 41/273
310/366
2014/0038021 A1* 2/2014 Goesmann H01M 10/6554
429/120
2014/0098480 A1* 4/2014 Foster, Sr. G06F 1/185
361/679.31
2015/0022058 A1* 1/2015 Okamura H01L 41/0471
310/332
2015/0155470 A1* 6/2015 Mori G06F 3/016
310/326
2015/0162521 A1* 6/2015 Kojo H03B 5/364
310/344
2015/0179921 A1* 6/2015 Asano H01L 41/0472
310/357
2015/0243877 A1* 8/2015 Ozawa H01L 41/0533
310/323.12
2015/0255704 A1* 9/2015 Kim H01L 41/0533
310/321
2015/0270476 A1* 9/2015 Kim H01L 41/0838
310/334
2015/0368162 A1* 12/2015 Hayashi B41J 2/14233
252/62.9 PZ

2016/0049578 A1* 2/2016 Miwa C01G 53/006
310/365
2016/0056366 A1* 2/2016 Nakamura H01L 41/083
310/357
2016/0099400 A1* 4/2016 Uetani H01L 41/0472
310/363
2016/0196843 A1* 7/2016 Bjorstrom G11B 5/483
360/294.4
2016/0337760 A1* 11/2016 Suenaga H01L 41/0471
2017/0018701 A1* 1/2017 Ueda H01L 41/1871
2017/0040525 A1* 2/2017 Ikeda H01L 41/0471
2017/0092835 A1* 3/2017 Uetani H01L 41/273
2017/0133578 A1* 5/2017 Suenaga H01L 41/083
2017/0288124 A1* 10/2017 Noro H01L 41/083
2017/0288126 A1* 10/2017 Uetani H01L 41/0471
2017/0288129 A1* 10/2017 Uetani C04B 35/491
2018/0009003 A1* 1/2018 Kim H01L 41/09
2018/0013056 A1* 1/2018 Ohta H01L 41/0838
2018/0090667 A1* 3/2018 Ohta H01L 41/0838
2018/0233653 A1* 8/2018 Kijima H01L 41/0475
2018/0238751 A1* 8/2018 Chida G01B 7/16
2018/0366635 A1* 12/2018 Denes H01L 41/0472
2019/0027677 A1* 1/2019 Kishimoto H01L 41/083
2019/0033340 A1* 1/2019 Tani G01P 15/00
2019/0044053 A1* 2/2019 Hamada H01L 41/0838
2019/0044054 A1* 2/2019 Watanabe H01L 41/09

* cited by examiner



FIG. 1

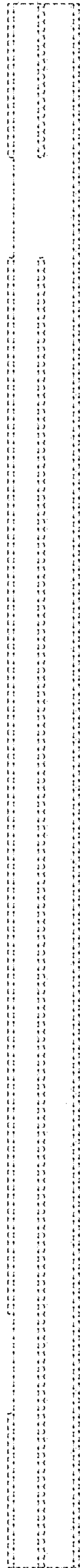


FIG. 2



FIG. 3

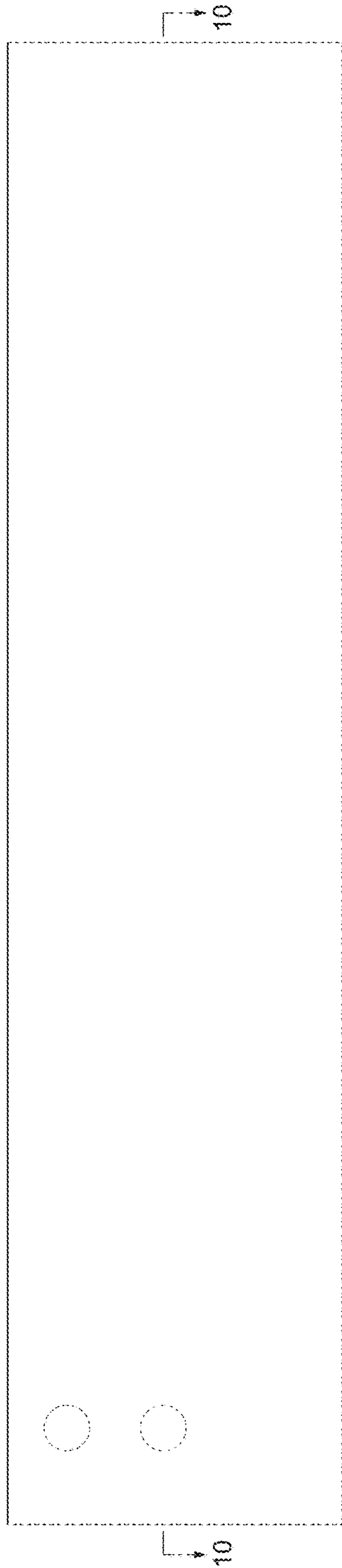


FIG. 4

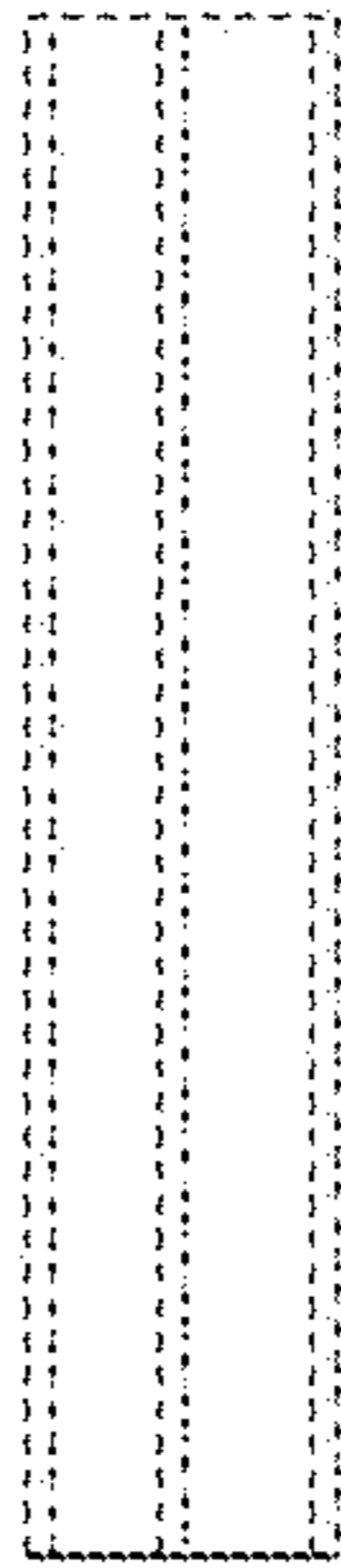


FIG. 5

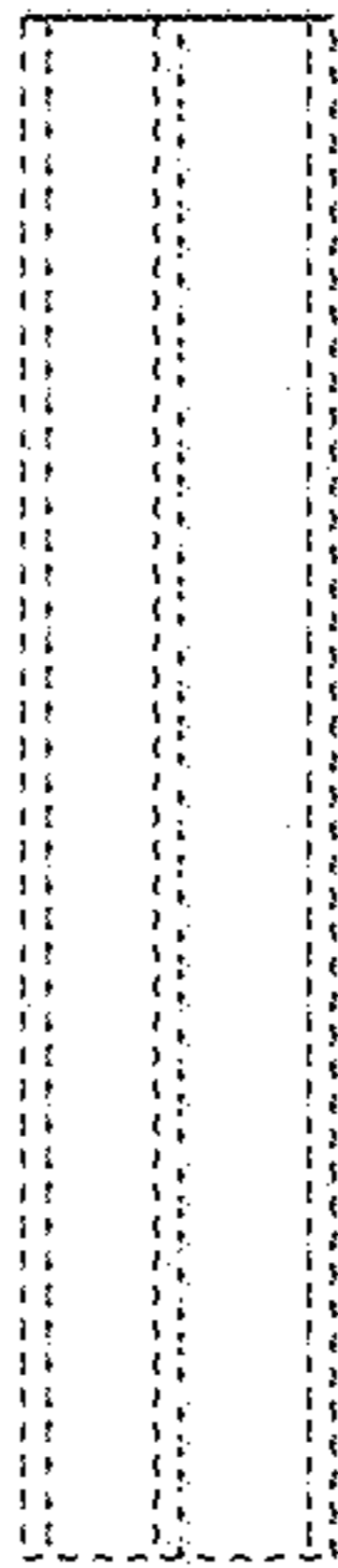


FIG. 6

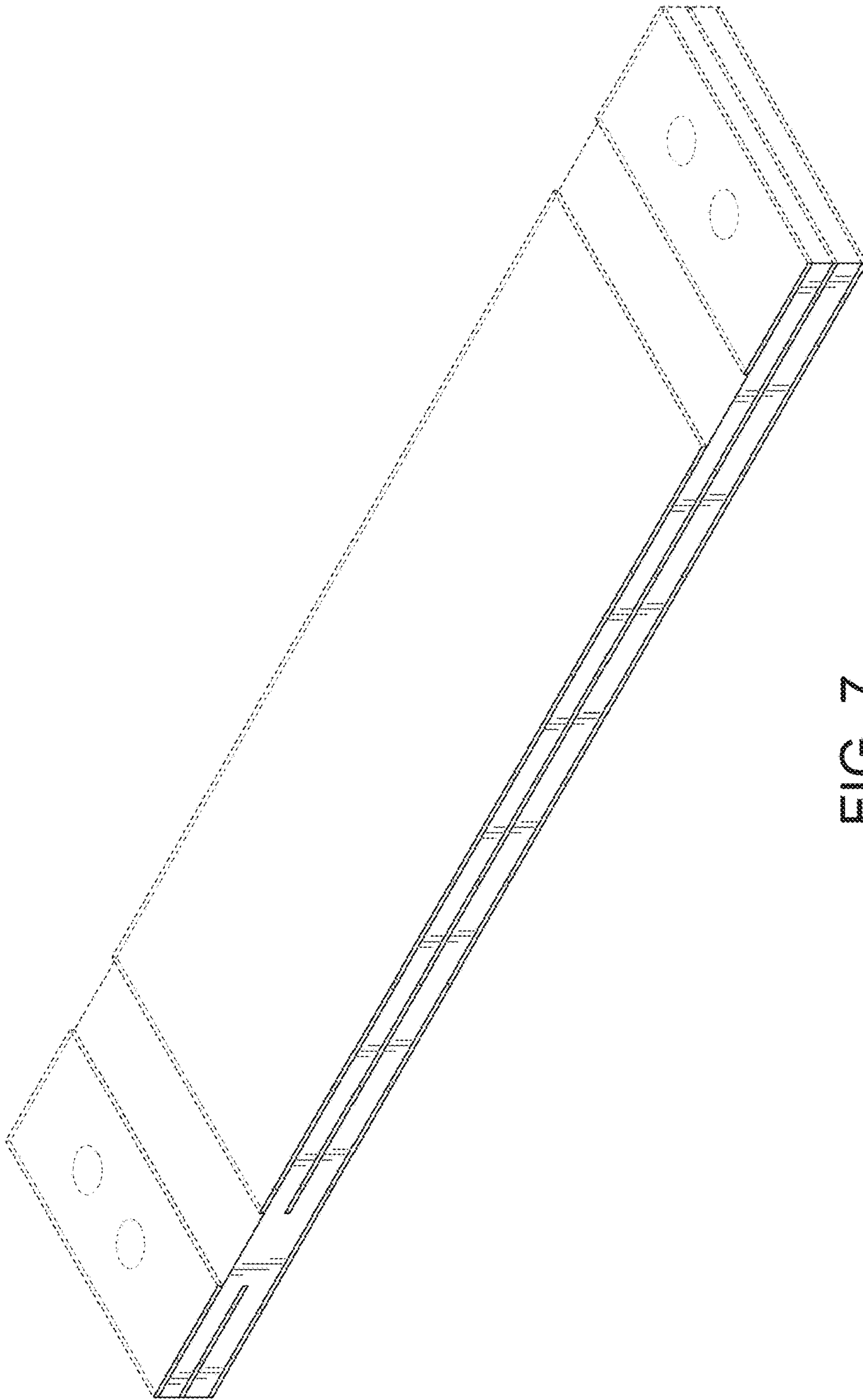


FIG. 7

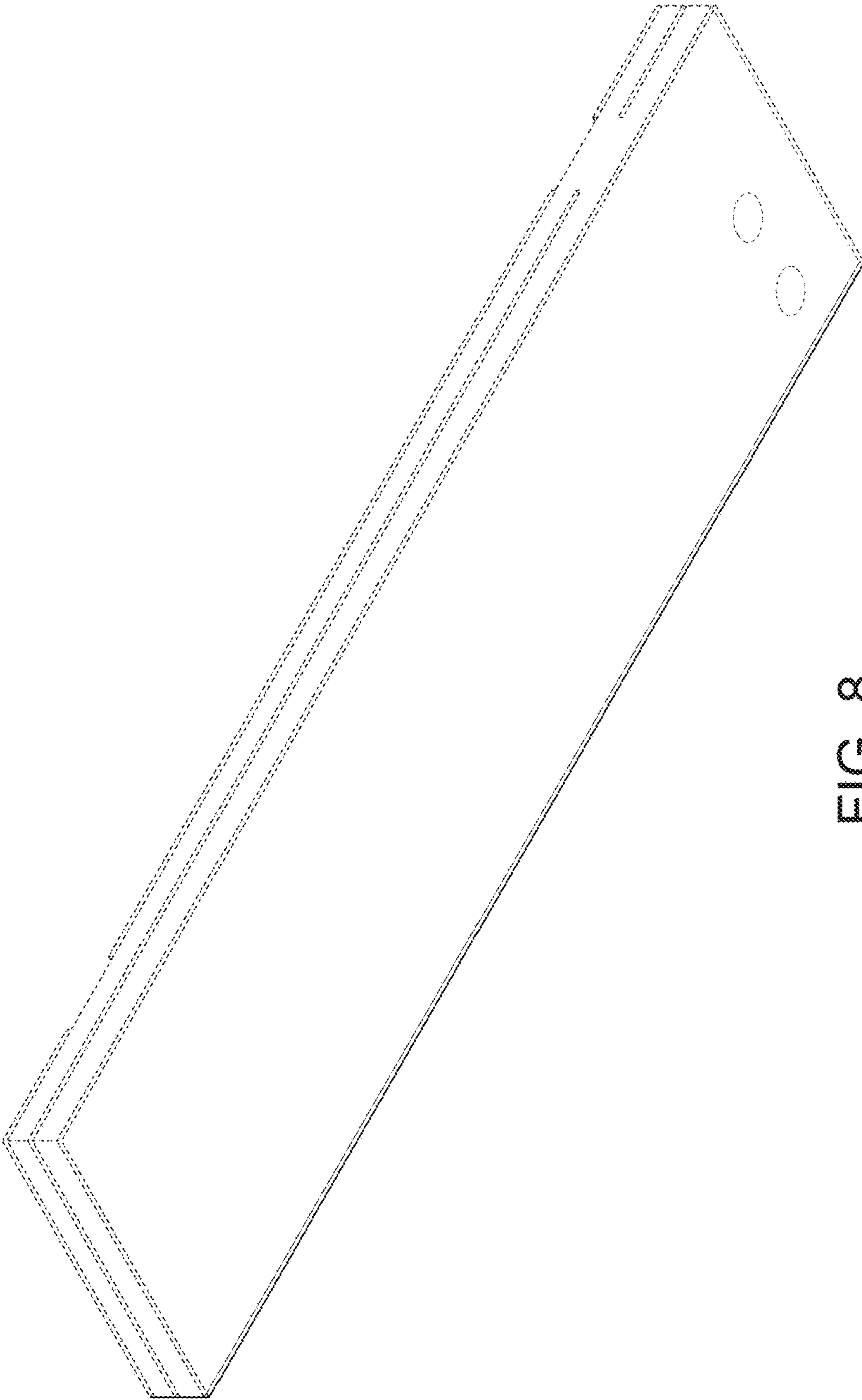


FIG. 8

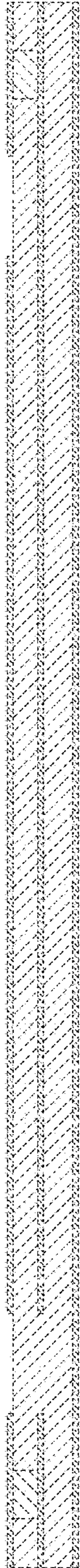


FIG. 9

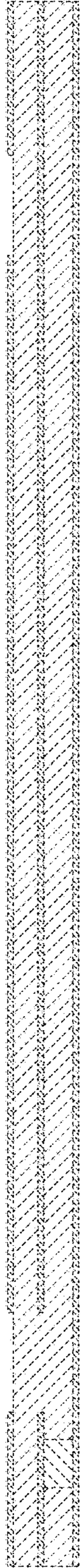


FIG. 10

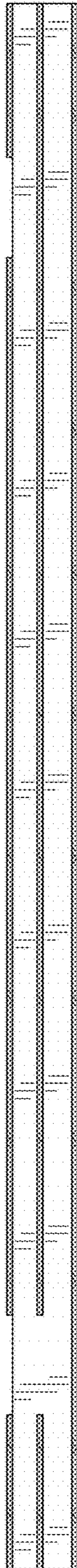


FIG. 11

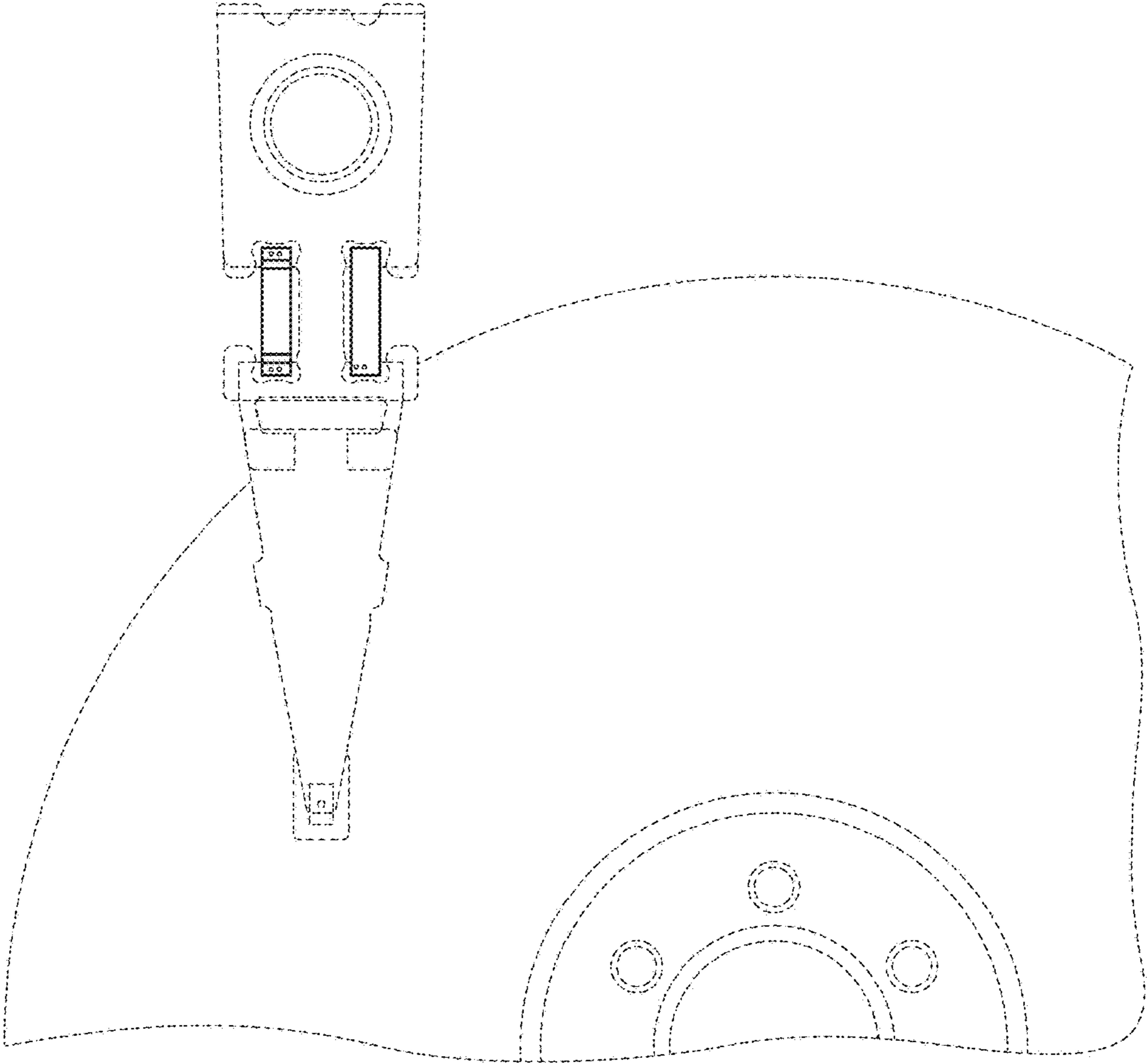


FIG. 12