



US00D857020S

(12) **United States Design Patent**
Ohta et al.

(10) **Patent No.:** **US D857,020 S**

(45) **Date of Patent:** **** Aug. 20, 2019**

(54) **PIEZOELECTRIC ELEMENT**

(71) Applicant: **TDK CORPORATION**, Tokyo (JP)

(72) Inventors: **Yoshiki Ohta**, Tokyo (JP); **Kazuo Nagata**, Tokyo (JP); **Shuto Ono**, Tokyo (JP); **Mio Hamashima**, Tokyo (JP)

(73) Assignee: **TDK CORPORATION**, Tokyo (JP)

(**) Term: **15 Years**

(21) Appl. No.: **29/585,434**

(22) Filed: **Nov. 23, 2016**

(30) **Foreign Application Priority Data**

May 25, 2016 (JP) 2016-011150

May 25, 2016 (JP) 2016-011151

(51) **LOC (12) Cl.** **14-02**

(52) **U.S. Cl.**
USPC **D14/435; D13/182**

(58) **Field of Classification Search**
USPC D14/435, 356, 242, 436, 433, 474, 240,
D14/496, 385, 358, 480.1-480.7;
(Continued)

(56) **References Cited**

U.S. PATENT DOCUMENTS

3,562,792 A * 2/1971 Berlincourt et al. ... C04B 35/46
252/62.9 PZ

3,764,848 A * 10/1973 Berlincourt H01L 41/107
310/358

(Continued)

FOREIGN PATENT DOCUMENTS

JP 2007-335664 A 12/2007

Primary Examiner — Susan Moon Lee

(74) *Attorney, Agent, or Firm* — Oliff PLC

(57) **CLAIM**

The ornamental design for a piezoelectric element, as shown and described.

DESCRIPTION

FIG. 1 is a front view of a first embodiment of a piezoelectric element of the present invention.

FIG. 2 is a rear view thereof.

FIG. 3 is a top plan view thereof.

FIG. 4 is a bottom view thereof.

FIG. 5 is a right side view thereof.

FIG. 6 is a left side view thereof.

FIG. 7 is a front perspective view thereof.

FIG. 8 is a rear perspective view thereof.

FIG. 9 is a sectional view taken along the line 9-9 of the FIG. 1 thereof.

FIG. 10 is a sectional view taken along the line 10-10 of the FIG. 1 thereof.

FIG. 11 is a sectional view taken along the line 11-11 of the FIG. 1 thereof.

FIG. 12 is a reference top plan view, wherein the semi-transparent parts are shown by light grey parts thereof.

FIG. 13 is a reference view showing the use state thereof.

FIG. 14 is a front view of a second embodiment of a piezoelectric element of the present invention.

FIG. 15 is a rear view thereof.

FIG. 16 is a top plan view thereof.

FIG. 17 is a bottom view thereof.

FIG. 18 is a right side view thereof.

FIG. 19 is a left side view thereof.

FIG. 20 is a front perspective view thereof.

FIG. 21 is a rear perspective view thereof.

FIG. 22 is a sectional view taken along the line 22-22 of the FIG. 14 thereof.

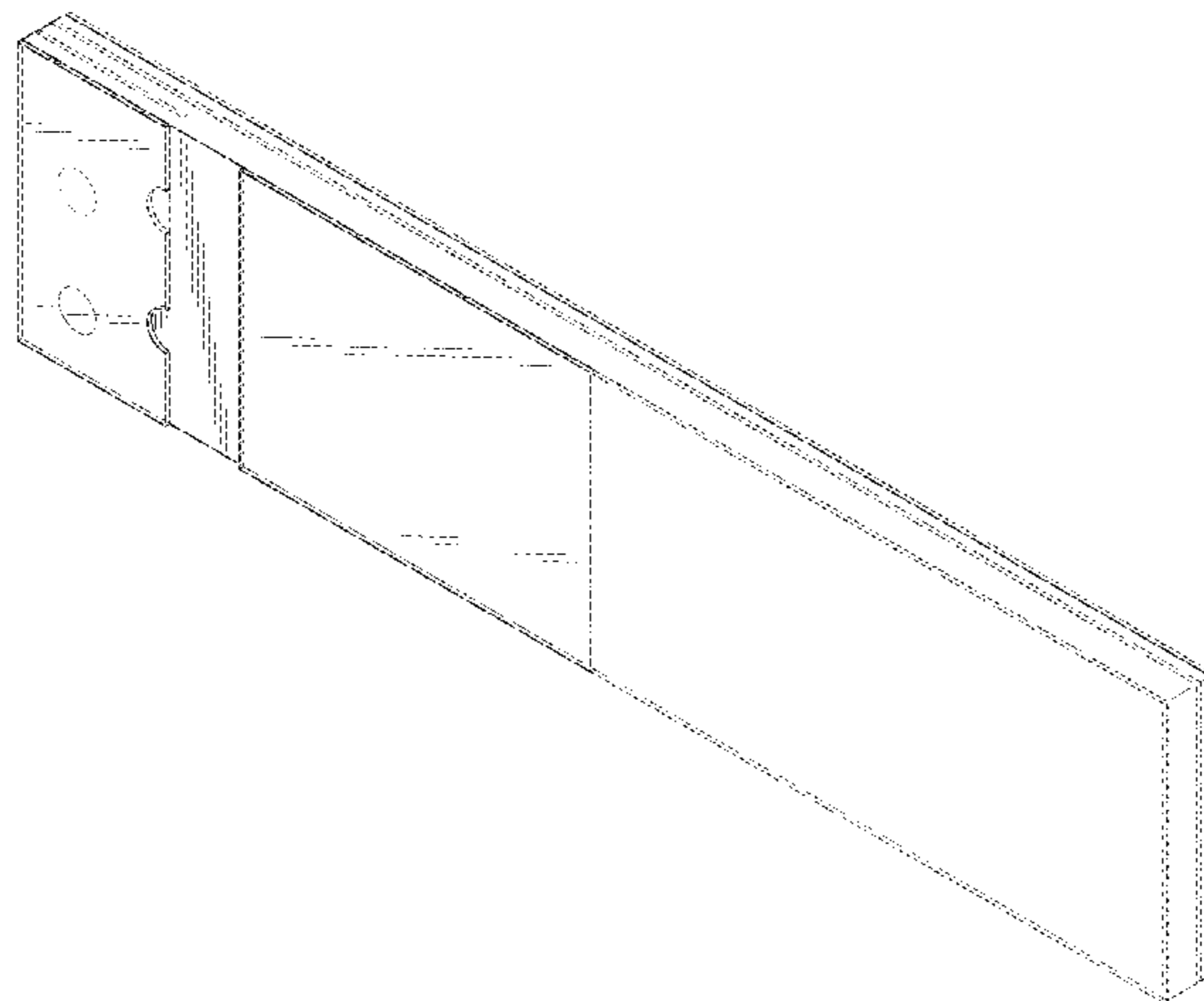
FIG. 23 is a sectional view taken along the line 23-23 of the FIG. 14 thereof.

FIG. 24 is a reference top plan view, wherein the semi-transparent parts are shown by light grey parts thereof; and,

FIG. 25 is a reference view showing the use state thereof.

The broken lines depict unclaimed portions of the piezoelectric element, and thus form no part of the claimed design. The dot-dash chain lines depict boundaries of the claimed subject matter, and thus form no part of the claimed design.

1 Claim, 25 Drawing Sheets



(58) **Field of Classification Search**

USPC 360/294.4, 97.01, 685, 686, 752, 737,
 360/732, 784, 803; 439/135, 144,
 439/139-141, 147, 136, 638, 518, 131;
 365/51, 63, 131; 710/52, 300, 313;
 711/115, 103, 154, 161-162; 70/58;
 323/210; 713/186, 1; 382/124; 235/492;
 D13/147, 182, 121, 101, 184; 310/311,
 310/313 R, 313 A, 320, 323.06, 327, 328,
 310/344, 348, 351-353, 363-368, 314,
 310/340, 358; 252/62.9 R, 62.9 PZ
 CPC G06K 19/06196; G06K 19/072; G06K
 19/0721-0728; G06K 19/073; G06K
 19/07309; G06K 19/077; G06K
 19/07701; G06K 19/07715; G06K
 19/0772; G06K 19/07724; G06K
 19/07726; G06K 19/07728; G06K
 7/0021; G06F 21/77-80; G06F 21/85-88;
 G06F 21/00; G06Q 20/3229; G06Q
 20/34; G06Q 20/341; G06Q 20/346;
 G06Q 20/349; G06Q 20/3563; G06Q
 20/3567; G06Q 20/357; G06Q 20/3576;
 H05K 5/026; H05K 5/0256; H05K
 5/0265; H05K 5/0269; H05K 5/0273;
 H05K 5/0278; H05K 5/0282; H05K
 5/0286; H05K 5/0291; H05K 5/0295;
 H05K 5/03; H05K 5/04; H05K 5/06;
 H05K 5/061-069; H05K 7/00; H05K
 7/005; H05K 7/02; H05K 7/023; H05K
 7/026; H05K 2201/09745; H05K
 2201/09754; H05K 2201/09763; H05K
 2201/09772; H05K 2201/098; H05K
 2201/09818; H05K 2201/10; H05K
 2201/10007; H05K 7/04; H05K 7/10;
 H05K 7/1418; H05K 7/142; H05K
 7/1405; H05K 7/1424; H05K
 7/1427-1439; H05K 7/1461; H05K
 7/1464-1474; H05K 7/1479; H05K
 7/1481; H05K 7/1485-1488; H04N
 2201/216; H01R 13/62933; H01R
 13/62905; H01R 13/6275; H01R 13/6395;
 H01R 13/62938; H01R 13/64; H01R
 13/645; H01R 13/6456; H01R 13/635;
 H01R 13/633; H01R 23/7005; H01R
 23/682; H01R 23/684; H01R 23/70;
 H01R 23/7068; H01R 23/7026; H01R
 31/065; H01R 27/02; H01R 2103/00;
 H01L 41/00; H01L 41/02; H01L 41/04;
 H01L 41/044; H01L 41/047; H01L
 41/0472; H01L 41/0474; H01L 41/0475;
 H01L 41/08; H01L 41/0805; H01L
 41/081; H01L 41/0815; H01L 41/0825;
 H01L 41/083; H01L 41/09; H01L
 41/0966; H01L 41/0471; H01L 41/053;
 H03H 9/02015; H03H 9/02228; H03H
 9/15; H03H 9/172; H03H 9/178; H03H
 2009/02251; G11B 5/4873; G11B 5/4833;
 F02M 51/0603

See application file for complete search history.

(56) **References Cited**

U.S. PATENT DOCUMENTS

5,824,904 A * 10/1998 Kouhei G01P 15/0915
 73/514.34
 6,051,916 A * 4/2000 Kaida H03H 9/0207
 310/320

6,327,120 B1 * 12/2001 Koganezawa G11B 5/5552
 310/311
 6,487,045 B1 * 11/2002 Yanagisawa G11B 5/5552
 360/236.5
 6,661,618 B2 * 12/2003 Fujiwara G11B 5/5552
 360/294.4
 7,034,441 B2 * 4/2006 Ono H03B 5/32
 310/344
 D548,176 S * 8/2007 Eto D13/103
 D548,686 S * 8/2007 Eto D13/103
 7,501,740 B2 * 3/2009 Hida G11B 5/5552
 310/328
 D604,693 S * 11/2009 Sugawara D13/101
 7,759,847 B2 * 7/2010 Okamura F02M 51/0603
 252/62.9 PZ
 7,923,905 B2 * 4/2011 Umemiya H01L 41/0533
 310/340
 D647,097 S * 10/2011 Tung D14/436
 8,149,545 B1 * 4/2012 Chai G11B 5/4873
 360/294.3
 D660,787 S * 5/2012 Lambert D13/103
 8,179,021 B2 * 5/2012 Fukuda H01L 23/055
 310/312
 8,213,127 B2 * 7/2012 Takahashi G11B 5/4826
 360/294.4
 8,233,245 B2 * 7/2012 Soga G11B 5/4873
 360/294.4
 D666,148 S * 8/2012 Inaba D13/119
 8,248,734 B2 * 8/2012 Fuchino G11B 5/4833
 310/365
 D686,148 S * 7/2013 Inaba D13/103
 8,513,862 B2 * 8/2013 Takebayashi H03H 9/0547
 310/344
 D689,018 S * 9/2013 Honda D13/103
 8,552,622 B2 * 10/2013 Makibuchi H01L 23/10
 310/344
 D693,292 S * 11/2013 Salvi D13/103
 8,601,656 B2 * 12/2013 Funabiki H03H 9/1021
 29/25.35
 8,630,067 B2 * 1/2014 Ando G11B 5/4826
 360/294.4
 8,749,122 B2 * 6/2014 Aratake H03H 9/02
 310/344
 8,754,575 B2 * 6/2014 Ikeji H01L 41/053
 310/348
 8,878,554 B2 * 11/2014 Arai G11B 5/4873
 324/662
 D719,085 S * 12/2014 Aoyagi D13/103
 9,070,392 B1 * 6/2015 Bjorstrom G11B 5/4873
 D743,399 S * 11/2015 Frank D14/435
 D765,625 S * 9/2016 Akana D14/248
 9,755,134 B2 * 9/2017 Motani H01L 41/047
 2001/0009344 A1 * 7/2001 Furukawa H01L 41/0533
 310/358
 2002/0064001 A1 * 5/2002 Shiraiishi G11B 5/5552
 360/294.4
 2002/0075606 A1 * 6/2002 Nishida G11B 5/5552
 360/294.4
 2002/0089793 A1 * 7/2002 Nakagawa G11B 5/4873
 360/294.4
 2004/0084999 A1 * 5/2004 Yamauchi G01P 15/0922
 310/328
 2007/0231682 A1 * 10/2007 Aoyama H01M 2/021
 429/160
 2008/0036334 A1 * 2/2008 Kawada C01G 33/006
 310/358
 2008/0179994 A1 * 7/2008 Sakaguchi H03H 9/0207
 310/320
 2009/0072663 A1 * 3/2009 Ayazi H03B 5/326
 310/320
 2009/0200898 A1 * 8/2009 Sakaki C04B 35/493
 310/358
 2009/0243440 A1 * 10/2009 Kimura C04B 35/472
 310/358
 2010/0171393 A1 * 7/2010 Pei H01L 41/094
 310/330

(56)

References Cited

U.S. PATENT DOCUMENTS

2011/0025168	A1*	2/2011	Maruyama	H01L 41/0906	310/323.06
2011/0084571	A1*	4/2011	Nakatani	G11B 5/4833	310/328
2012/0007468	A1*	1/2012	White	H02N 2/181	310/314
2012/0176703	A1*	7/2012	Nojima	H01L 41/338	360/244.2
2012/0248940	A1*	10/2012	Ariji	H03H 9/0595	310/348
2013/0033155	A1*	2/2013	Glazunov	H01L 41/0838	310/366
2013/0069490	A1*	3/2013	Nakamura	G11B 5/4813	310/364
2013/0088119	A1*	4/2013	Hayashi	B08B 7/026	310/311
2013/0134835	A1*	5/2013	Kim	G01S 7/521	310/346
2013/0278114	A1*	10/2013	Hayasaka	H03H 9/1021	310/344
2013/0300261	A1*	11/2013	Kim	B06B 1/0603	310/348
2014/0021830	A1*	1/2014	Ogata	H01L 41/273	310/366
2014/0038021	A1*	2/2014	Goesmann	H01M 10/6554	429/120
2014/0098480	A1*	4/2014	Foster, Sr.	G06F 1/185	361/679.31
2015/0022058	A1*	1/2015	Okamura	H01L 41/0471	310/332
2015/0155470	A1*	6/2015	Mori	G06F 3/016	310/326
2015/0162521	A1*	6/2015	Kojo	H03B 5/364	310/344
2015/0179921	A1*	6/2015	Asano	H01L 41/0472	310/357
2015/0255704	A1*	9/2015	Kim	H01L 41/0533	310/321
2015/0270476	A1*	9/2015	Kim	H01L 41/0838	310/334
2015/0280105	A1*	10/2015	Saya	C04B 35/475	310/366
2015/0368162	A1*	12/2015	Hayashi	B41J 2/14233	252/62.9 PZ
2016/0049578	A1*	2/2016	Miwa	C01G 53/006	310/365
2016/0056366	A1*	2/2016	Nakamura	H01L 41/083	310/357
2016/0067968	A1*	3/2016	Naganuma	B41J 2/14233	347/71
2016/0099400	A1*	4/2016	Uetani	H01L 41/0472	310/363
2016/0196843	A1*	7/2016	Bjorstrom	G11B 5/483	360/294.4
2016/0337760	A1*	11/2016	Suenaga	H01L 41/0471	
2017/0018701	A1*	1/2017	Ueda	H01L 41/1871	
2017/0040525	A1*	2/2017	Ikeda	H01L 41/0471	
2017/0092835	A1*	3/2017	Uetani	H01L 41/273	
2017/0133578	A1*	5/2017	Suenaga	H01L 41/083	
2017/0288124	A1*	10/2017	Noro	H01L 41/083	
2017/0288126	A1*	10/2017	Uetani	H01L 41/0471	
2017/0288129	A1*	10/2017	Uetani	C04B 35/491	
2018/0009003	A1*	1/2018	Kim	H01L 41/09	
2018/0013056	A1*	1/2018	Ohta	H01L 41/0838	
2018/0233653	A1*	8/2018	Kijima	H01L 41/0475	
2018/0238751	A1*	8/2018	Chida	G01B 7/16	
2018/0366635	A1*	12/2018	Denes	H01L 41/0472	
2019/0027677	A1*	1/2019	Kishimoto	H01L 41/083	
2019/0033340	A1*	1/2019	Tani	G01P 15/00	
2019/0044053	A1*	2/2019	Hamada	H01L 41/0838	
2019/0044054	A1*	2/2019	Watanabe	H01L 41/09	

* cited by examiner

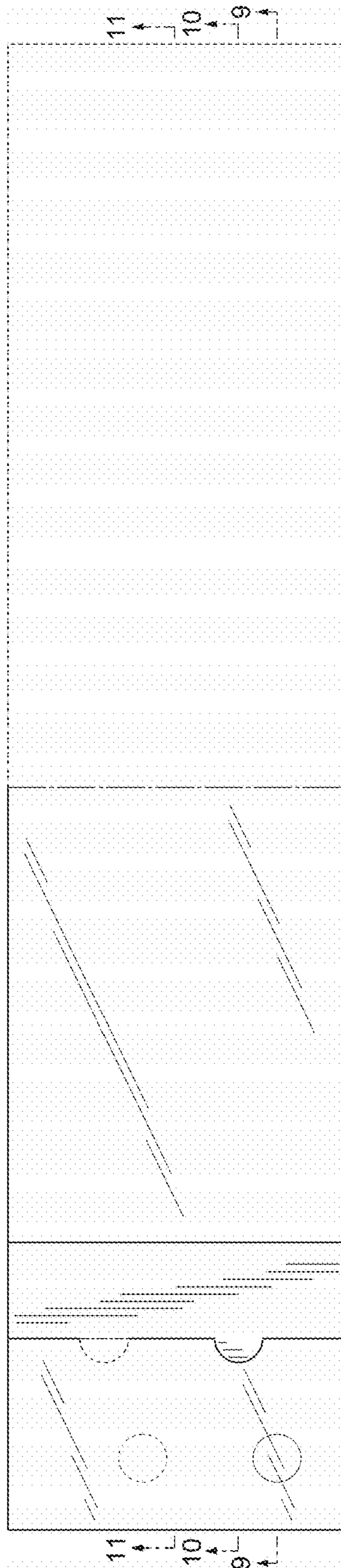


FIG. 1

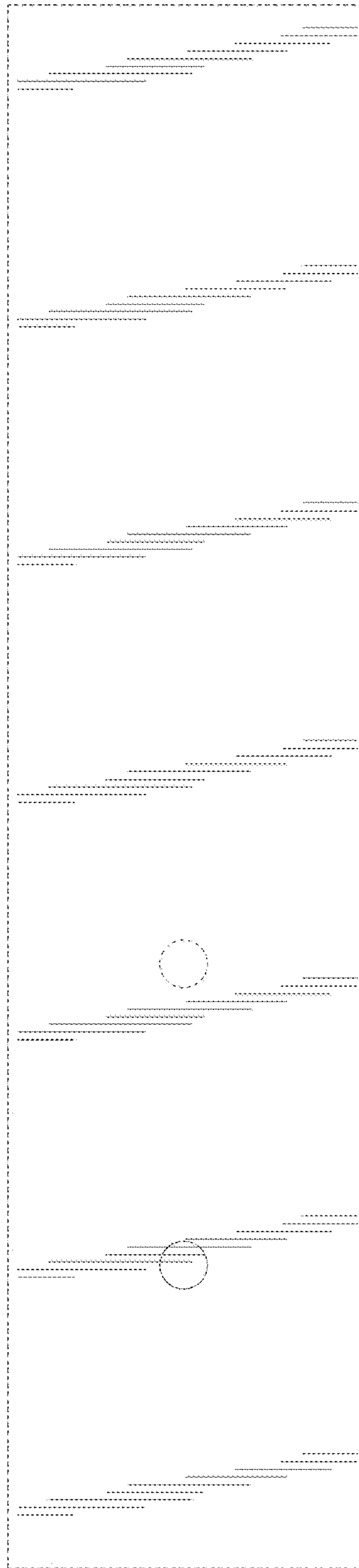


FIG. 2

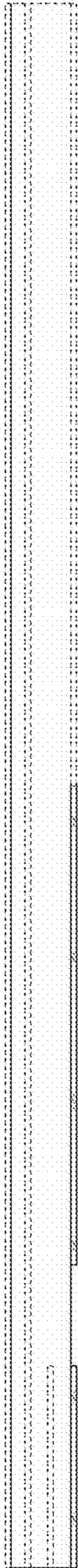


FIG. 3



FIG. 4

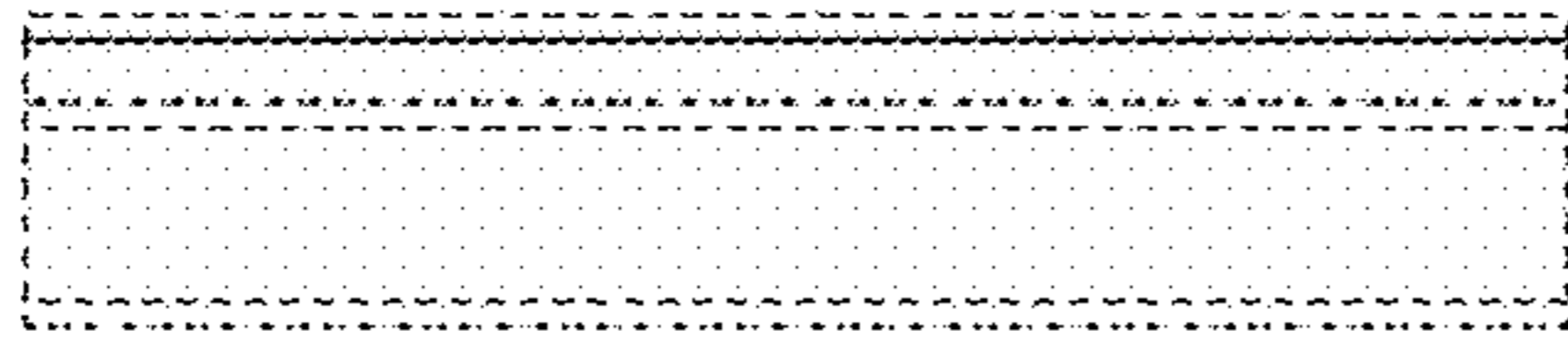


FIG. 5

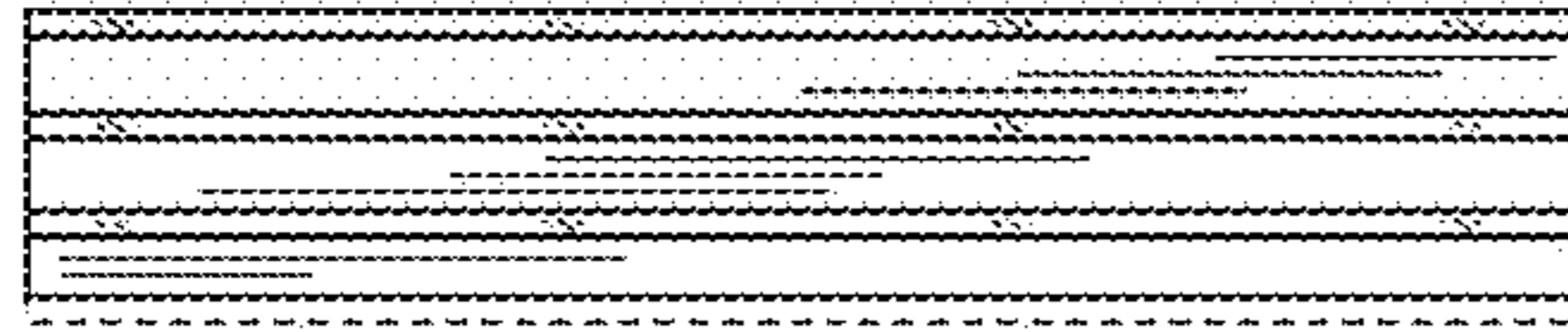


FIG. 6

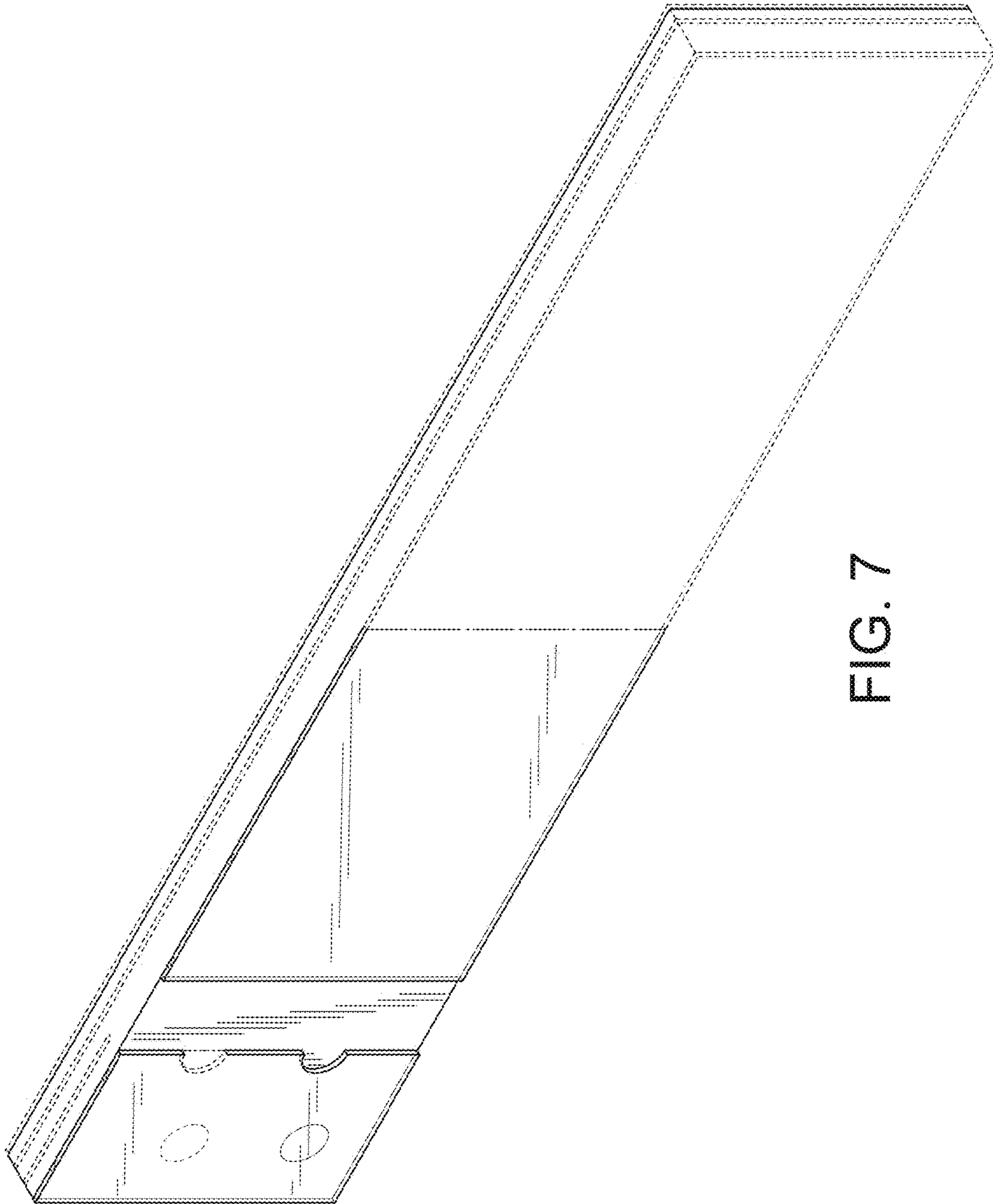


FIG. 7

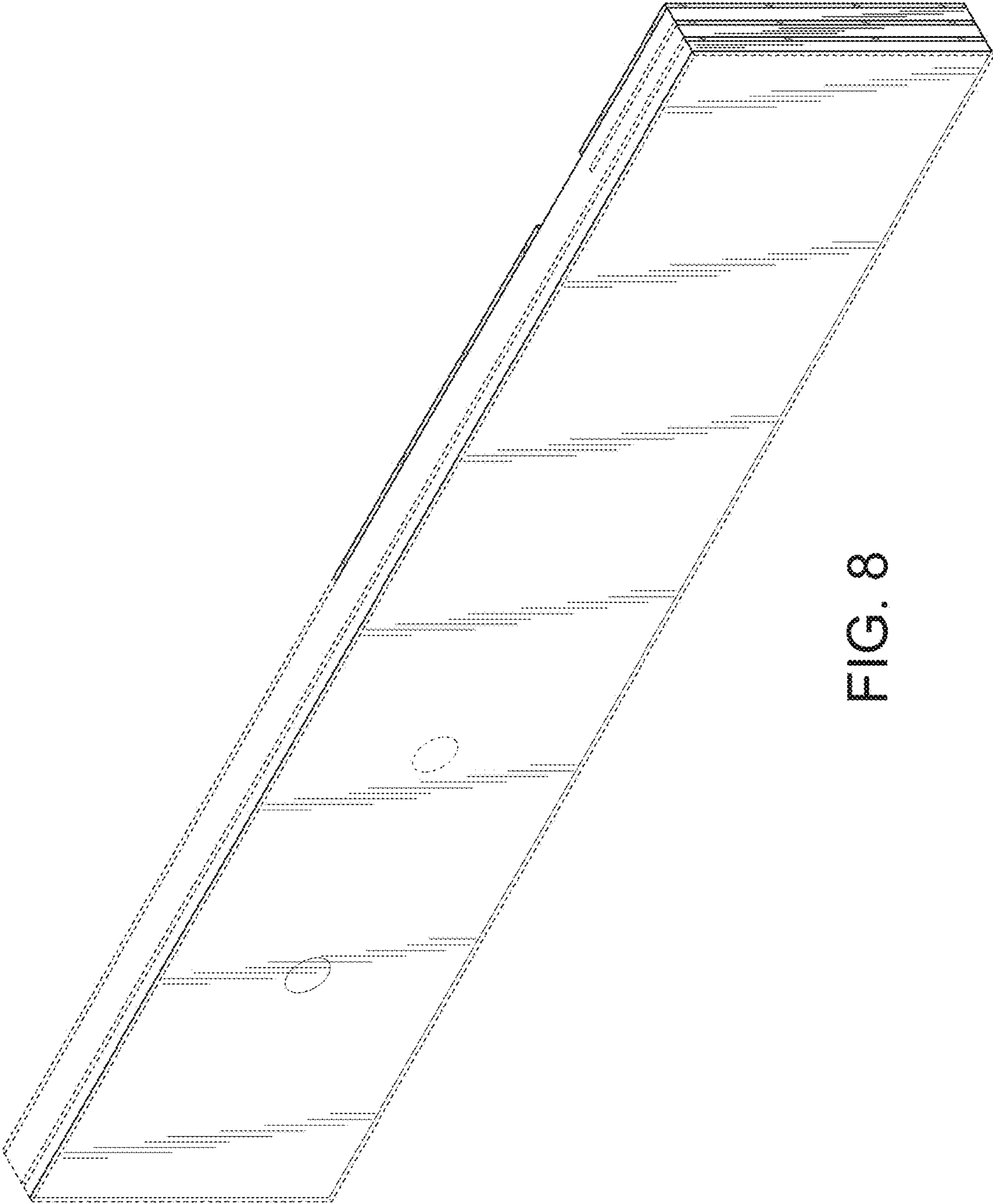


FIG. 8

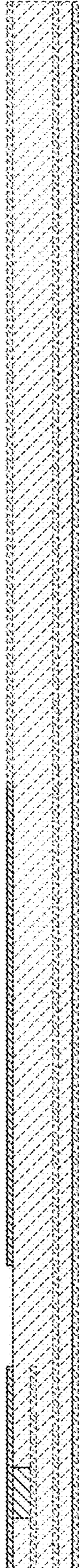


FIG. 9

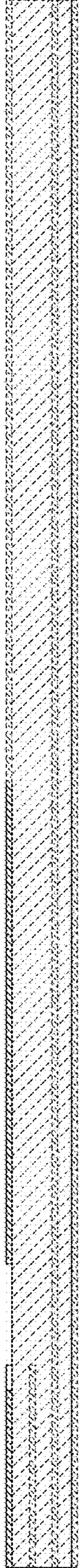


FIG. 10



FIG. 11

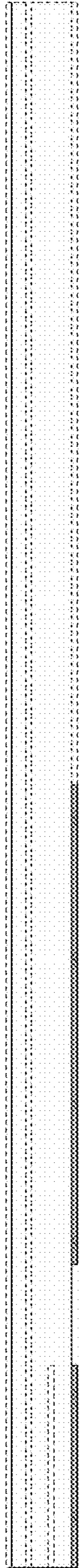


FIG. 12

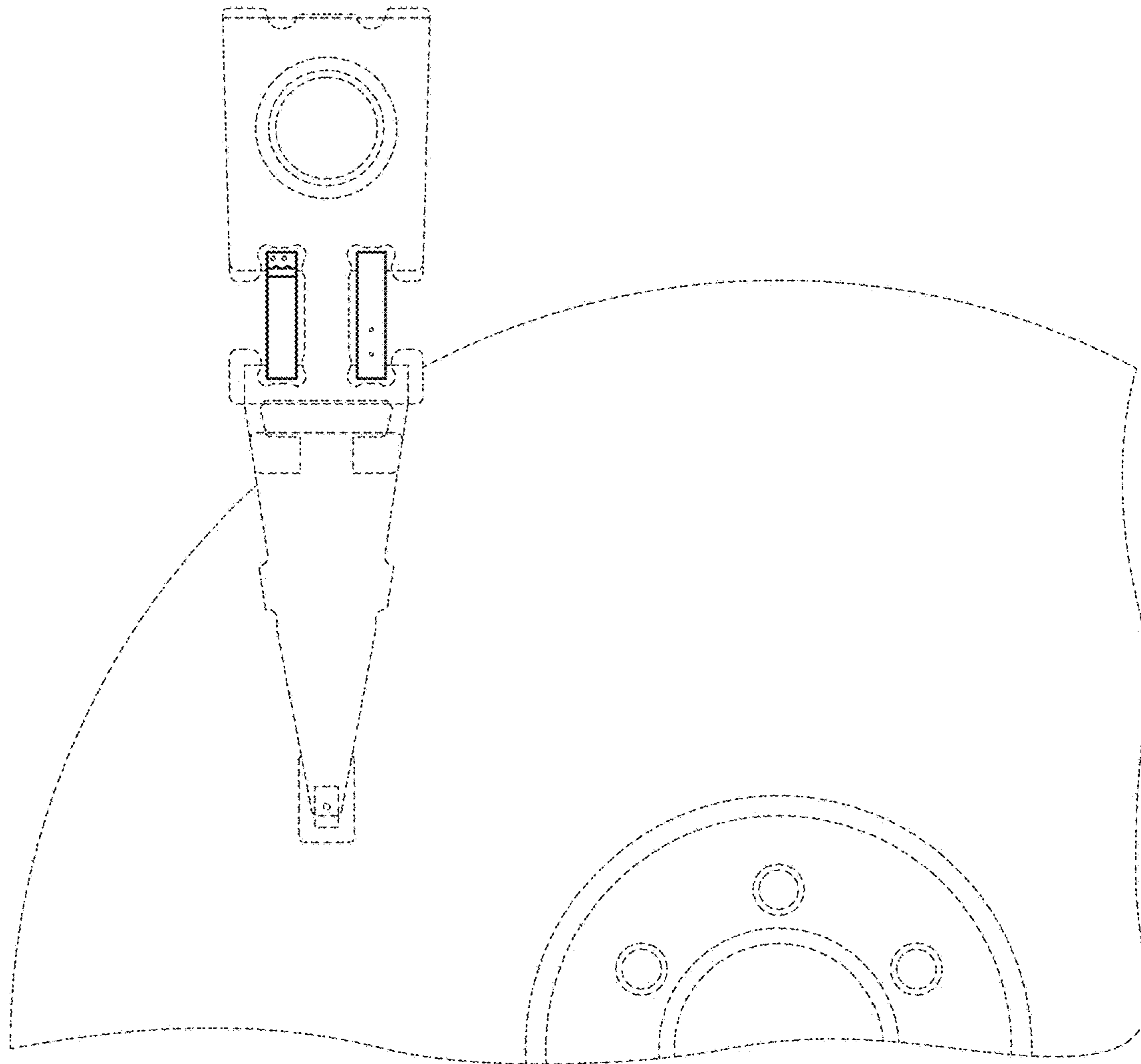


FIG. 13

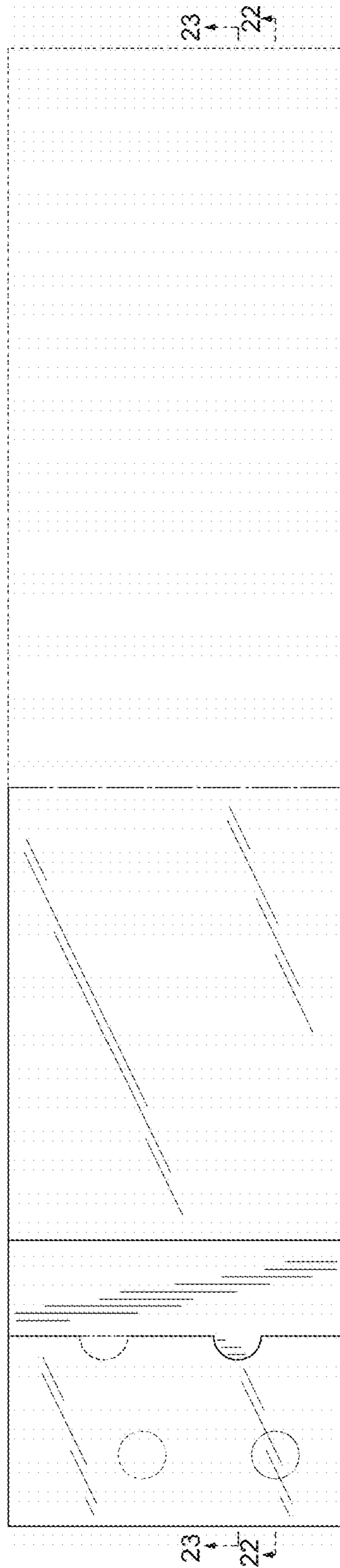


FIG. 14

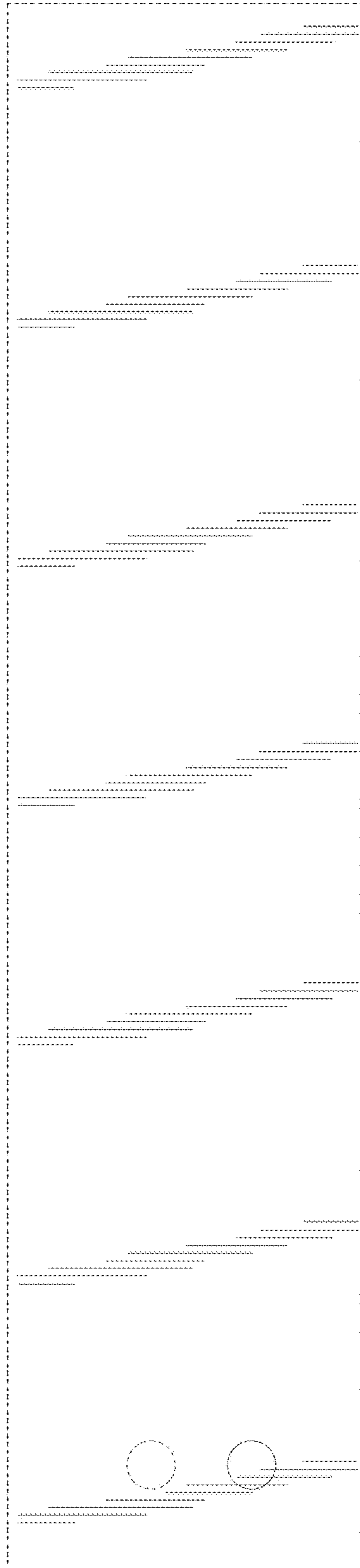


FIG. 15

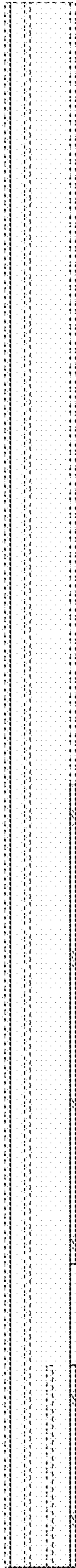


FIG. 16



FIG. 17

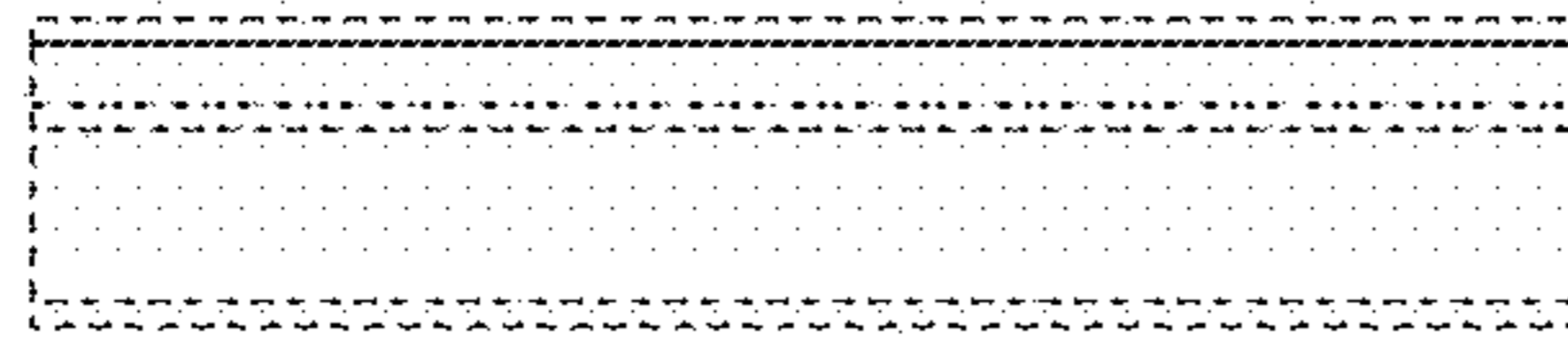


FIG. 18

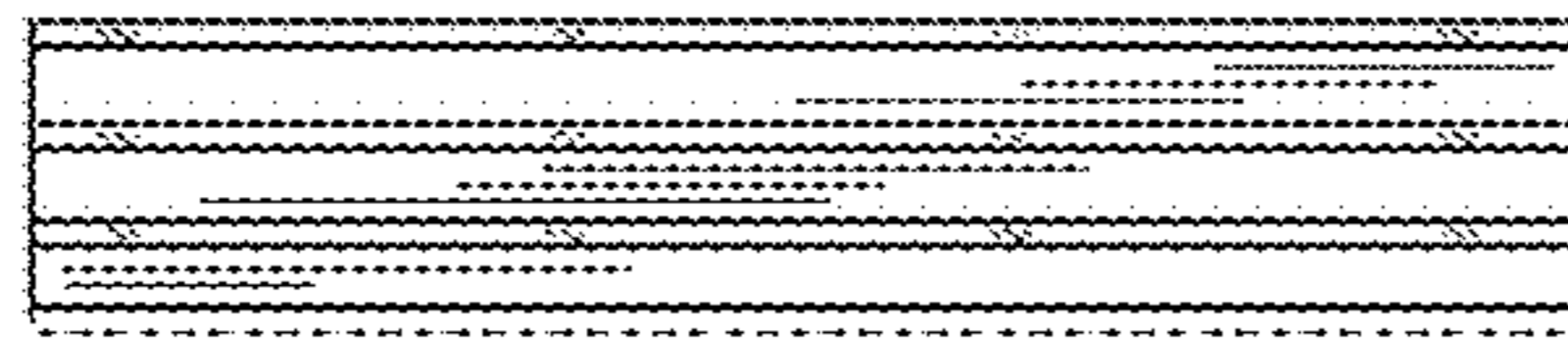


FIG. 19

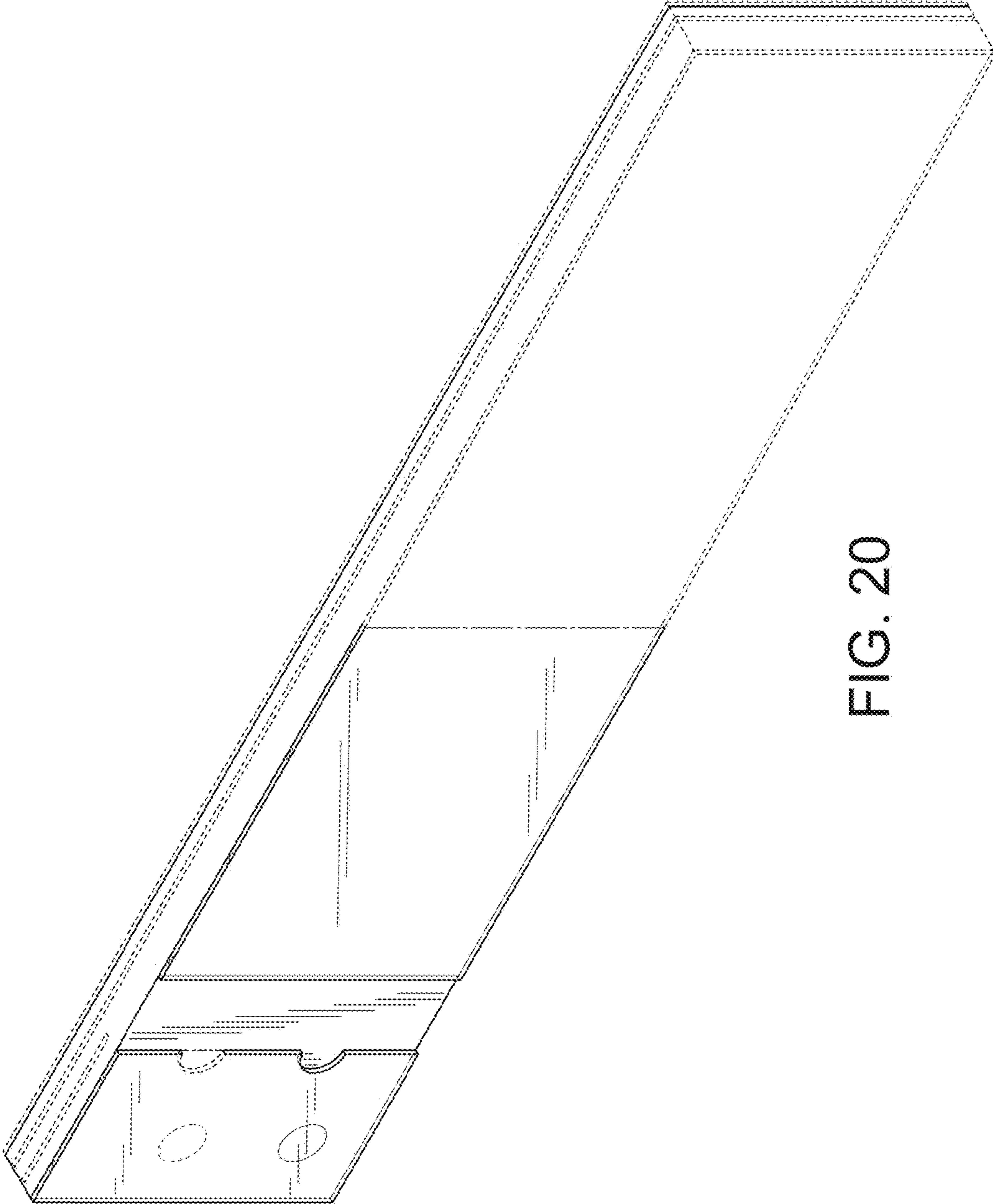


FIG. 20

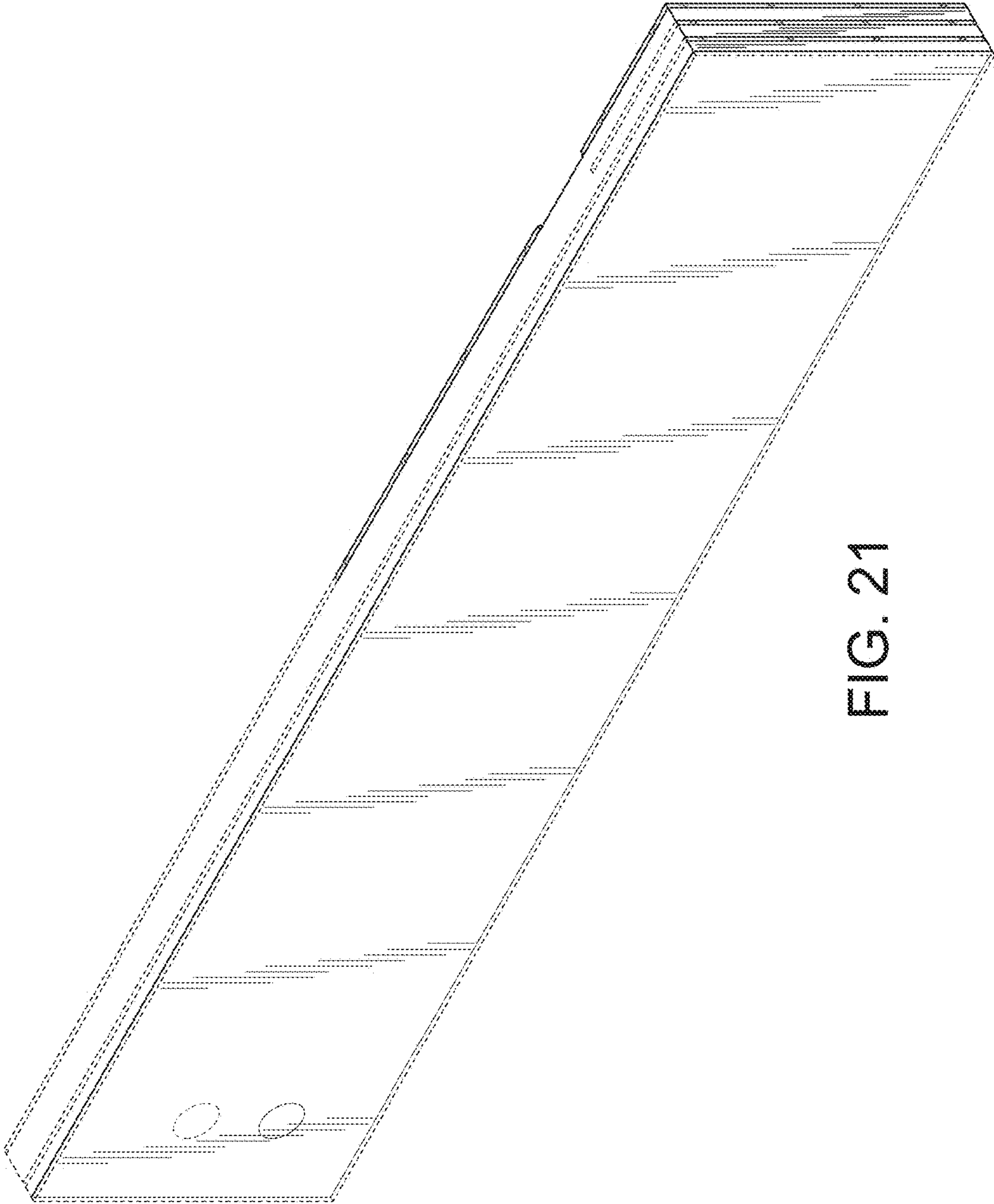


FIG. 21

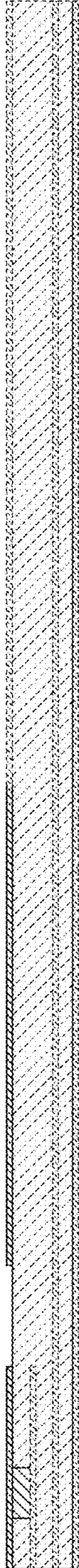


FIG. 22

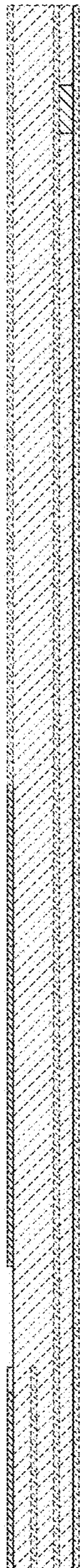


FIG. 23



FIG. 24

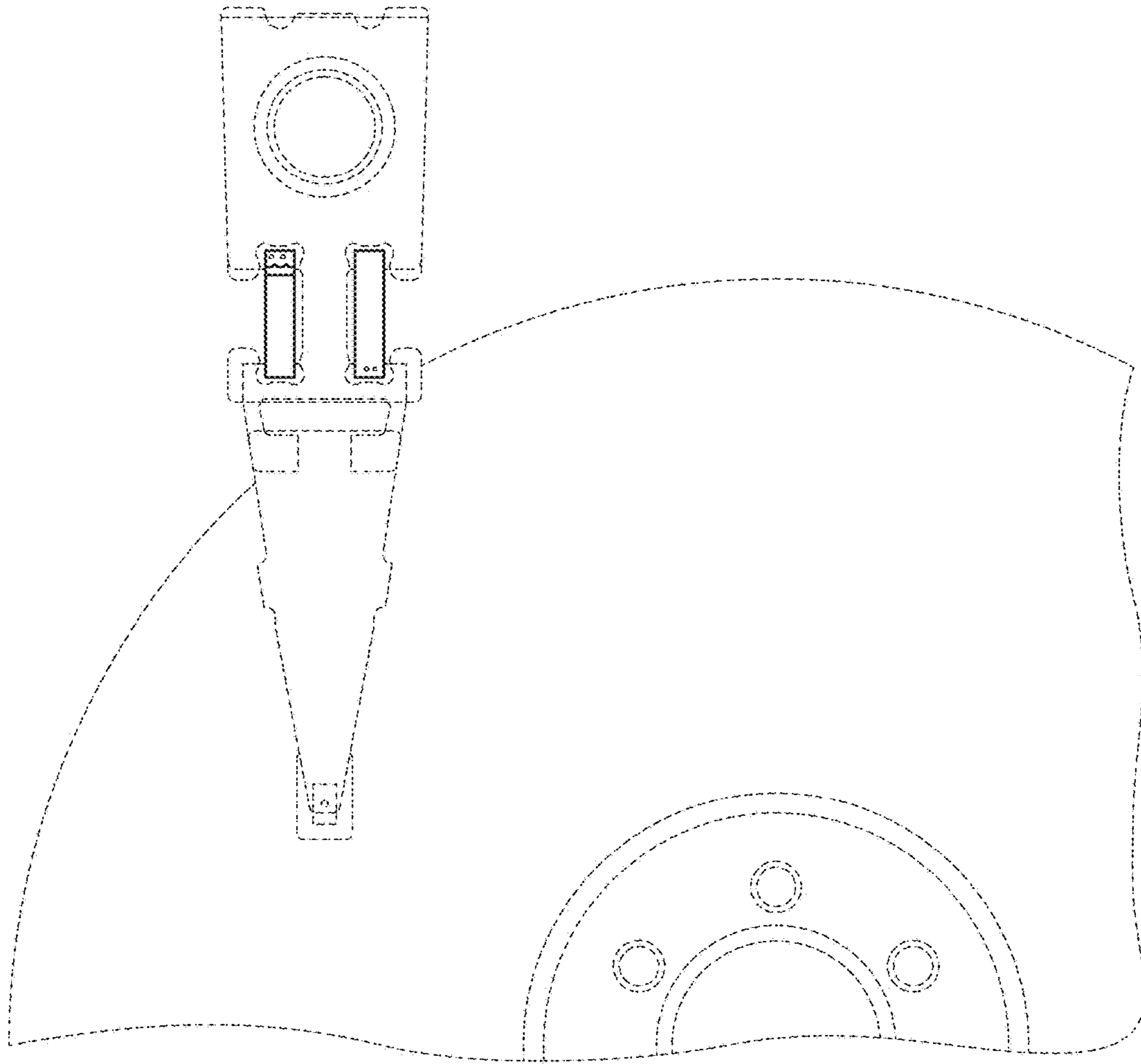


FIG. 25