



US00D857019S

(12) **United States Design Patent**
Mecchella

(10) **Patent No.:** **US D857,019 S**

(45) **Date of Patent:** **** Aug. 20, 2019**

(54) **DEVICE DOCK**

(71) Applicant: **Amazon Technologies, Inc.**, Seattle,
WA (US)

(72) Inventor: **Monica Liane Mecchella**, San
Francisco, CA (US)

(73) Assignee: **Amazon Technologies, Inc.**, Seattle,
WA (US)

(**) Term: **15 Years**

(21) Appl. No.: **29/641,724**

(22) Filed: **Mar. 23, 2018**

(51) **LOC (12) Cl.** **14-02**

(52) **U.S. Cl.**
USPC **D14/434; D14/447**

(58) **Field of Classification Search**
USPC D14/434, 432, 433, 440, 447, 251-253,
D14/451, 452, 454, 140, 142, 149, 217,
D14/240, 299, 496, 356, 357, 358, 209.1,
D14/171; D13/103, 107, 108, 118, 119,
D13/110, 123, 184; D21/333; D6/512,
D6/672, 682

CPC G06F 1/1616; G06F 1/1626; G06F 1/1632;
G06F 1/1688; G06F 13/00; H01M 10/44;
F16M 11/10; F16M 11/20; H02J 7/0042;
H02J 7/00; H02J 7/0027; H02J 7/0044;
H02J 7/0045; H02J 7/355; H02J 7/025;
H01R 31/065; H04R 1/025; H04R 5/04
See application file for complete search history.

(56) **References Cited**

U.S. PATENT DOCUMENTS

D400,851 S * 11/1998 Culver D13/107
D512,066 S * 11/2005 Solomon D14/434
D516,562 S * 3/2006 Solomon D14/434
D558,165 S * 12/2007 Leichter D14/130
D559,229 S * 1/2008 Griffin D14/217
7,349,206 B2 * 3/2008 Lin G06F 1/1632
361/679.41

D607,813 S * 1/2010 Zhu D13/102
D637,583 S * 5/2011 Beal D14/217
D639,286 S * 6/2011 Mohoney D14/250
D639,810 S * 6/2011 Hwang D13/107
D643,030 S * 8/2011 Cheng D14/253
D648,727 S * 11/2011 Van Den Nieuwenhuizen
D14/447
D652,834 S * 1/2012 Jones D14/434
D665,812 S * 8/2012 Huang D14/447
D667,012 S * 9/2012 Chen D14/447
D673,961 S * 1/2013 Matsui D14/447
D674,337 S * 1/2013 Au Yeung D13/108
D682,550 S * 5/2013 Chun D3/294
D690,647 S * 10/2013 Huang D13/108
D697,477 S * 1/2014 Jonas, III D13/108

(Continued)

OTHER PUBLICATIONS

Indian Office Action dated Oct. 3, 2018, for Indian Patent Appli-
cation No. 310096, a counterpart foreign patent application of the
U.S. Appl. No. 29/641,724, 2 pages.

Primary Examiner — Marie D. Fast Horse

(74) *Attorney, Agent, or Firm* — Lee & Hayes, P.C.

(57) **CLAIM**

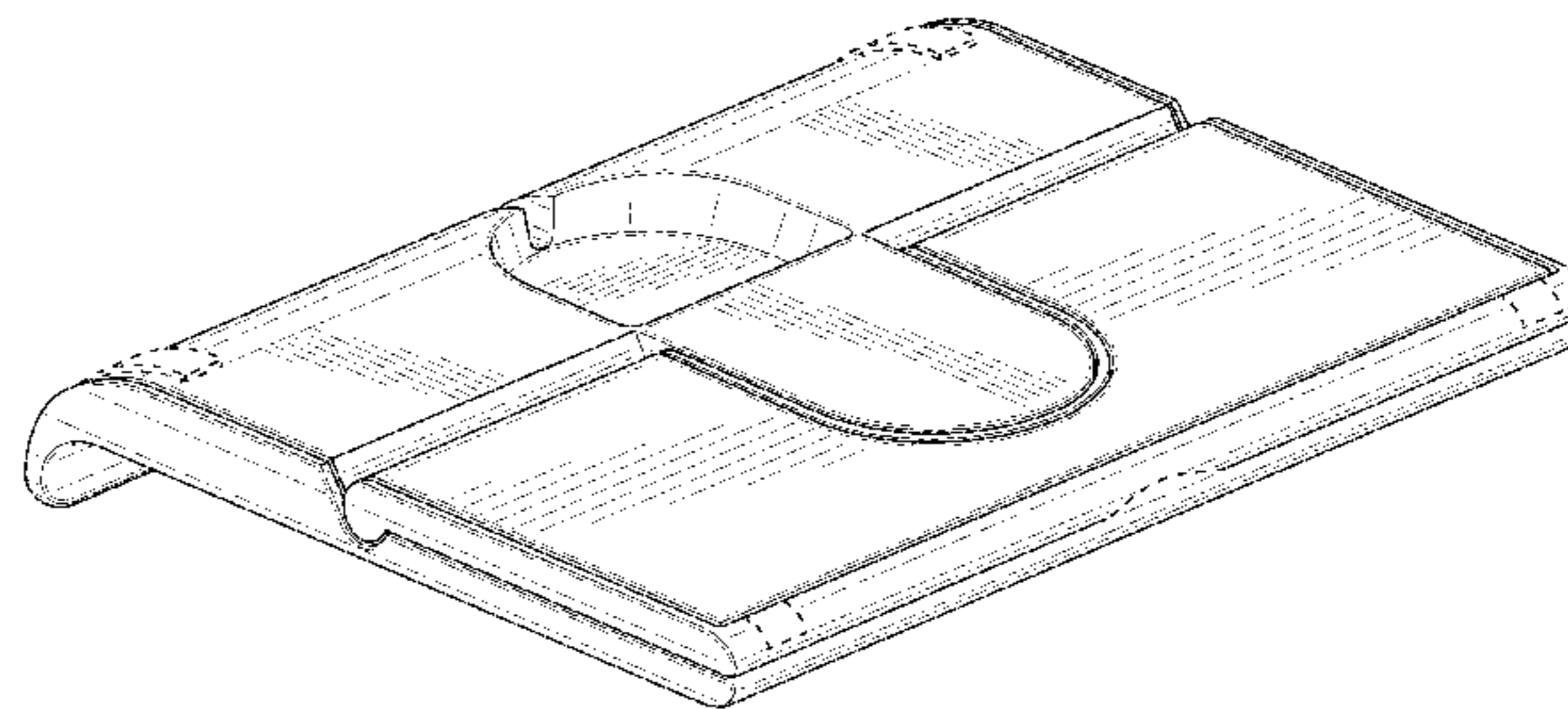
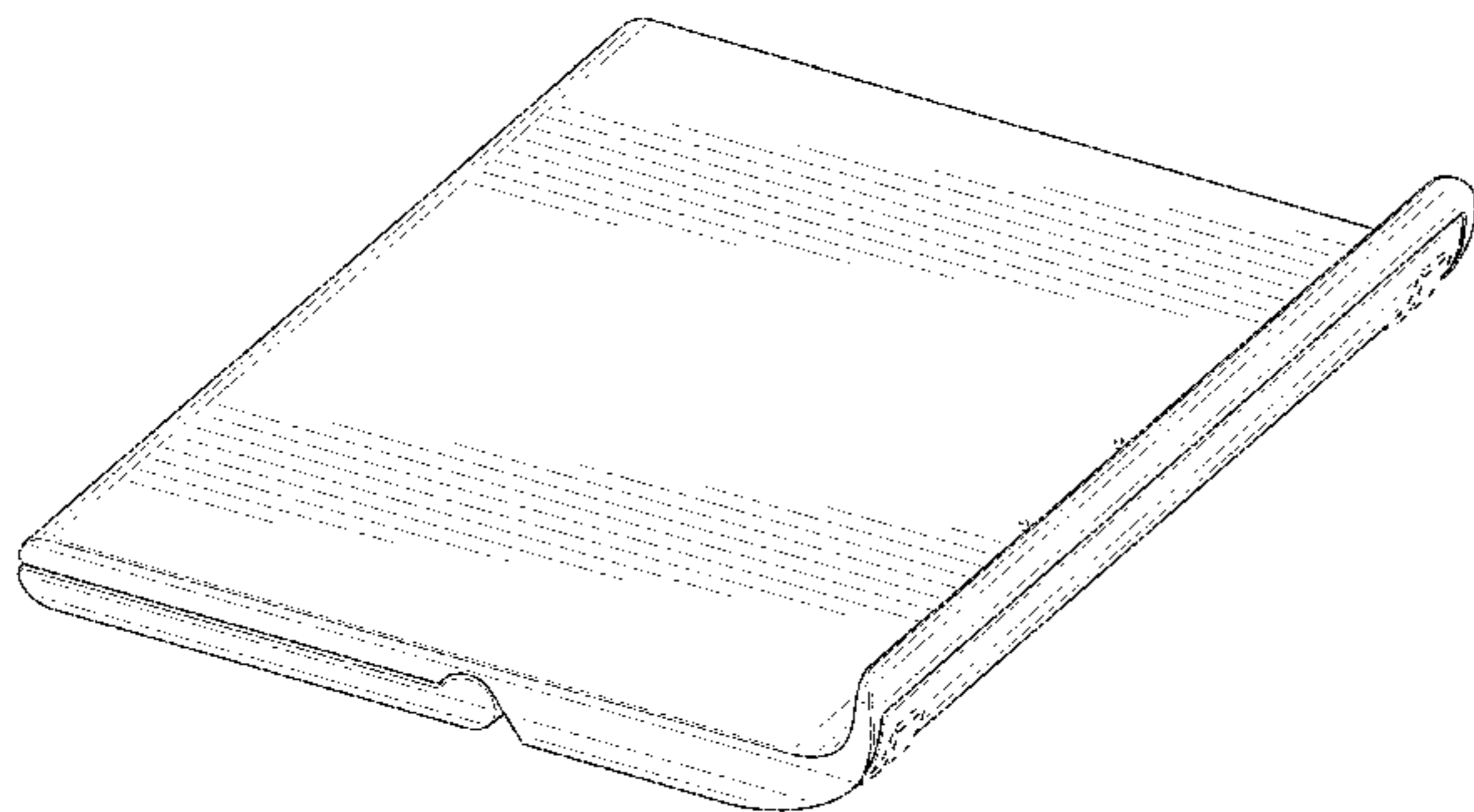
The ornamental design for a device dock, as shown and
described.

DESCRIPTION

FIG. 1 is a front perspective view of a device dock;
FIG. 2 is a back perspective view thereof;
FIG. 3 is a front view thereof;
FIG. 4 is a back view thereof;
FIG. 5 is a right-side view thereof;
FIG. 6 is a left-side view thereof;
FIG. 7 is a top view thereof; and,
FIG. 8 is a bottom view thereof.

The broken lines depict portions of the device dock that form
no part of the claimed design.

1 Claim, 8 Drawing Sheets



(56)

References Cited

U.S. PATENT DOCUMENTS

D703,133	S	*	4/2014	Ireland	D13/108
D703,213	S	*	4/2014	Gifford	D14/447
D714,793	S	*	10/2014	Kim	D14/447
D715,804	S	*	10/2014	Frenzel	D14/447
D727,915	S	*	4/2015	Mecchella	D14/440
D728,579	S	*	5/2015	Mecchella	D14/440
D741,846	S	*	10/2015	Jeon	D14/253
D742,888	S	*	11/2015	Mecchella	D14/440
D742,890	S	*	11/2015	Mecchella	D14/440
D743,955	S	*	11/2015	Wu	D14/253
D749,508	S	*	2/2016	Ireland	D13/108
D755,292	S	*	5/2016	Sirotych	D19/113
D756,365	S	*	5/2016	Huang	D14/447
D769,880	S	*	10/2016	Moore	D14/440
D776,121	S	*	1/2017	Mecchella	D14/440
D783,598	S	*	4/2017	Bai	D14/315
D783,599	S	*	4/2017	Bai	D14/315
D787,441	S	*	5/2017	Lee	D13/108
D797,109	S	*	9/2017	Pisapia	D14/447
D810,088	S	*	2/2018	Moore	D14/440
D810,091	S	*	2/2018	Cho	D14/451
D810,750	S	*	2/2018	Chang	D14/434
D828,360	S	*	9/2018	Moore	D14/440
D828,842	S	*	9/2018	Mecchella	D14/440
D832,268	S	*	10/2018	Mecchella	D14/440
10,114,416	B1	*	10/2018	D'Penha	G06F 1/1632
D832,851	S	*	11/2018	Mecchella	D14/440
D833,446	S	*	11/2018	Elder	D14/447
D836,720	S	*	12/2018	Kang	D19/113
2005/0206615	A1	*	9/2005	Tanimoto	G06F 1/1616 345/156
2006/0250767	A1	*	11/2006	Brophy	G06F 1/1632 361/679.45
2018/0252003	A1	*	9/2018	Klinkman	E05B 73/0082

* cited by examiner

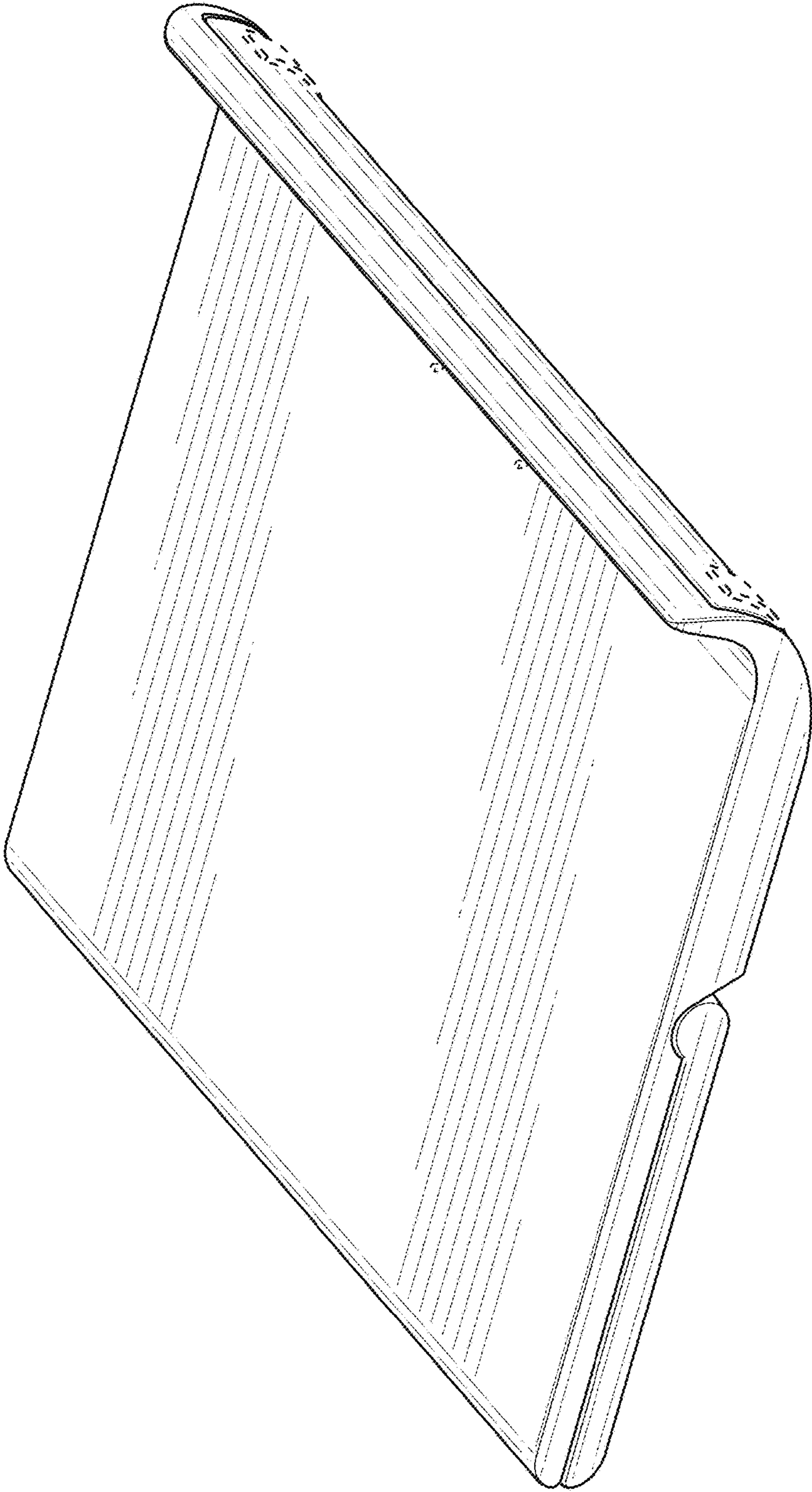


FIG. 1

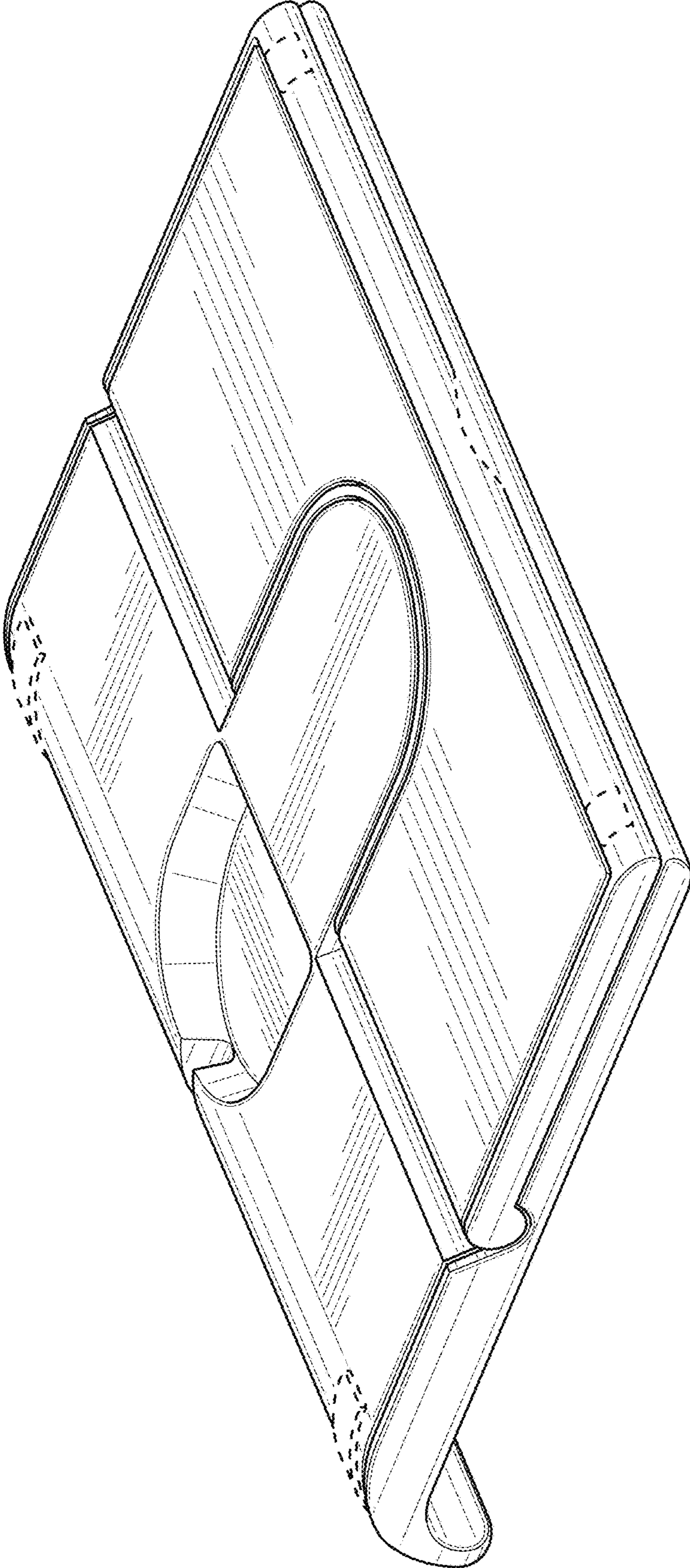


FIG. 2

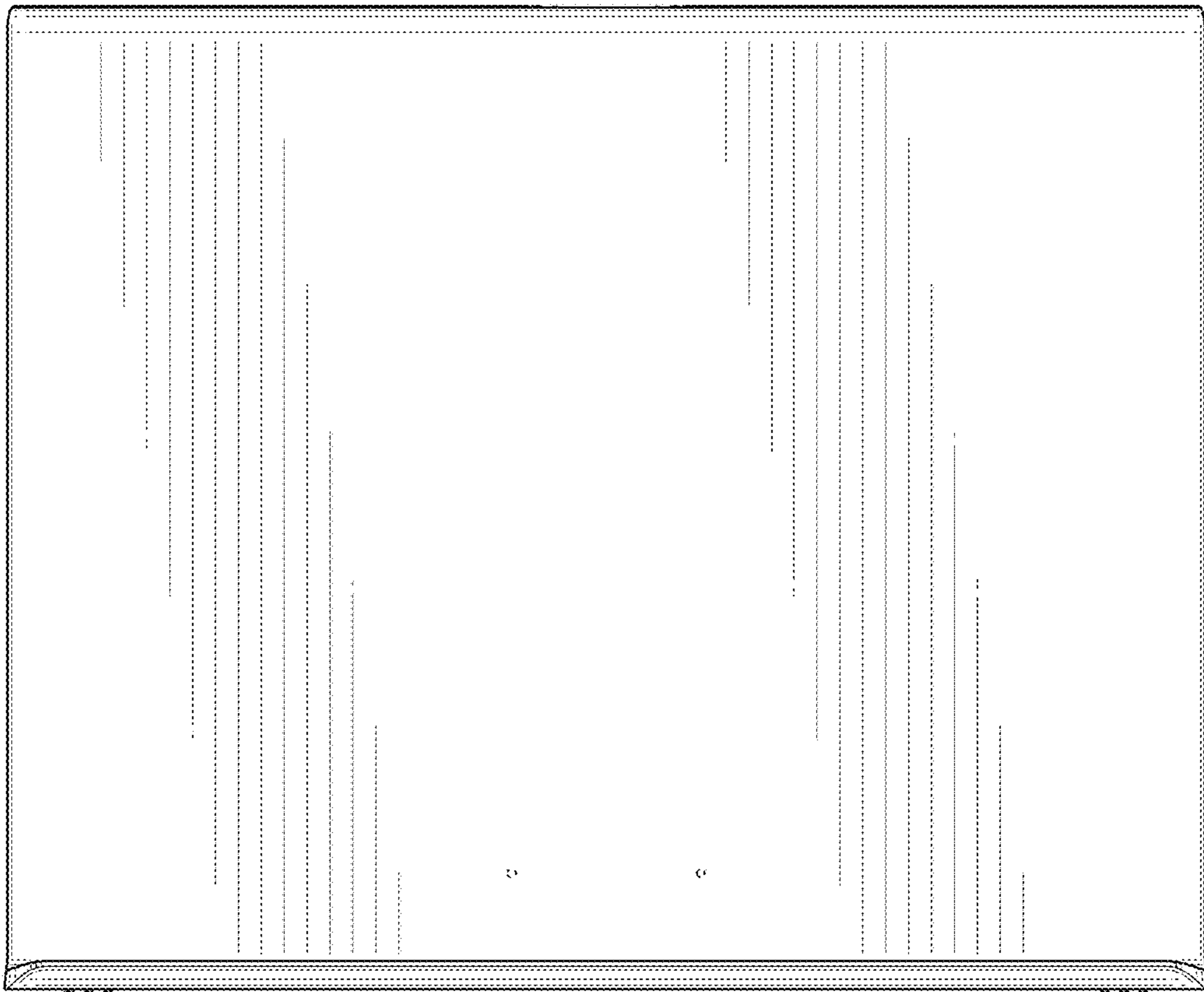


FIG. 3

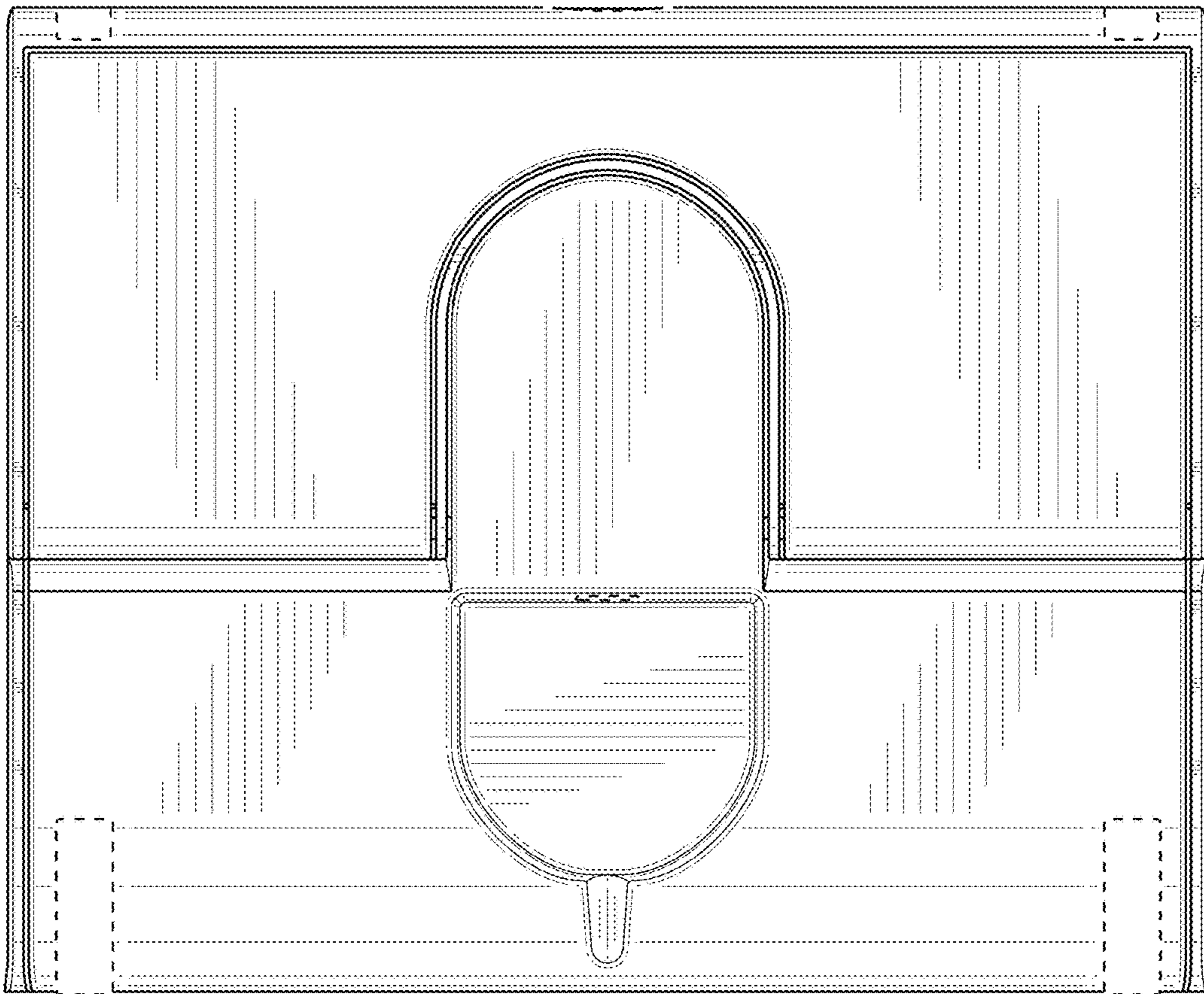


FIG. 4

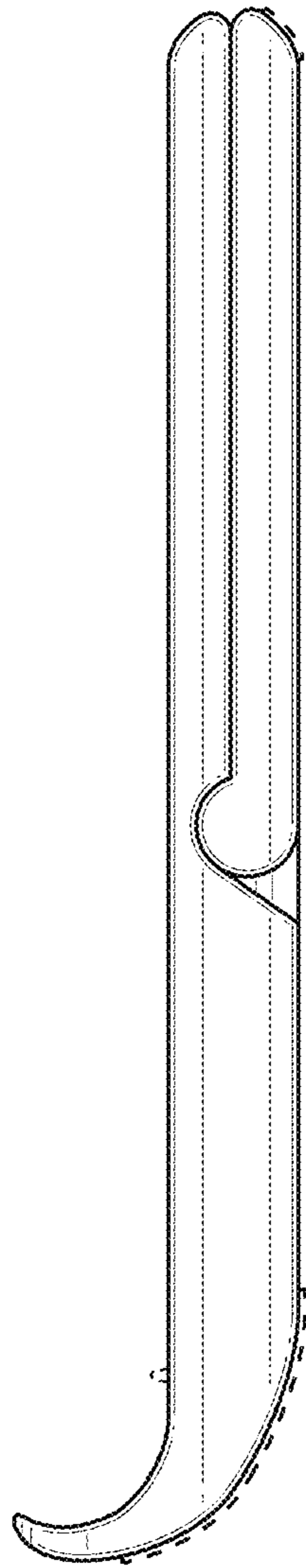


FIG. 5

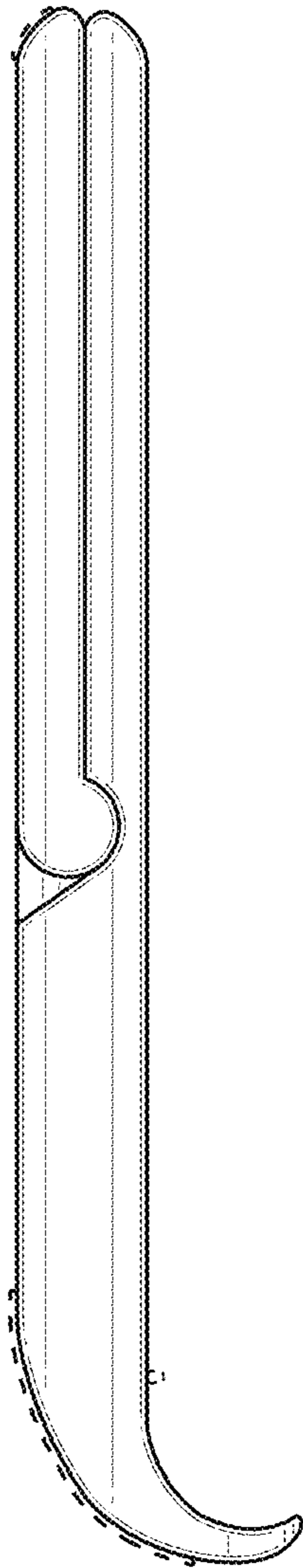


FIG. 6

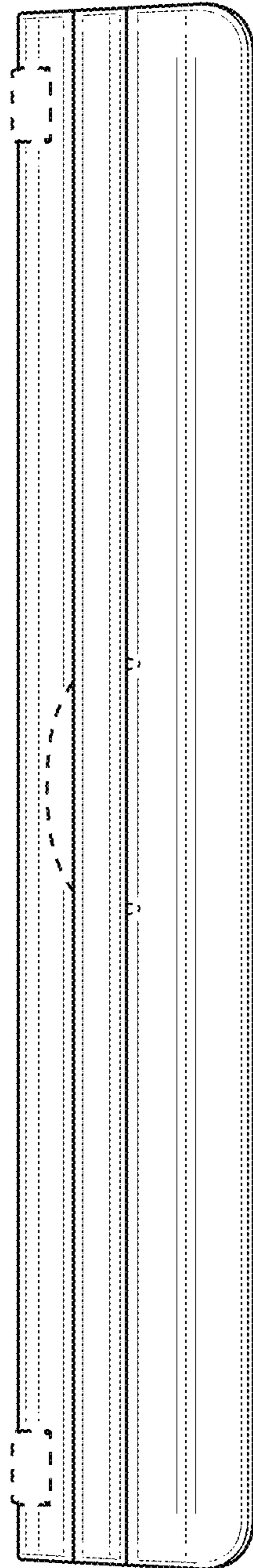


FIG. 7

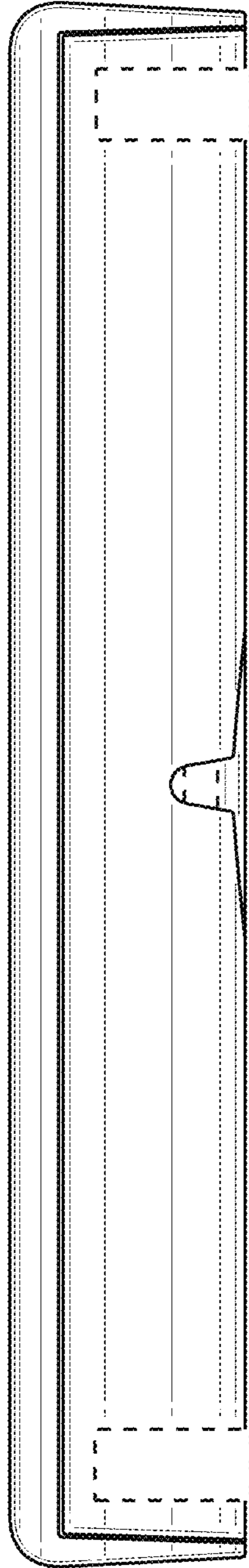


FIG. 8