



US00D857018S

(12) **United States Design Patent** (10) **Patent No.:** **US D857,018 S**  
**Wang et al.** (45) **Date of Patent:** **\*\* Aug. 20, 2019**

(54) **SCANNER**

(71) Applicant: **Hand Held Products, Inc.**, Fort Mill, SC (US)

(72) Inventors: **Chenghao Wang**, Shanghai (CN);  
**Miansong Chen**, Suzhou (CN);  
**Jindong Liu**, Suzhou (CN); **Jingjing Yao**, Suzhou (CN)

(73) Assignee: **Hand Held Products, Inc.**, Fort Mill, SC (US)

(\*\*) Term: **15 Years**

(21) Appl. No.: **29/609,292**

(22) Filed: **Jun. 29, 2017**

**Related U.S. Application Data**

(63) Continuation of application No. 29/551,856, filed on Jan. 18, 2016, now Pat. No. Des. 791,137.

(30) **Foreign Application Priority Data**

Jul. 22, 2015 (CN) ..... 2015 3 0265580

(51) **LOC (12) Cl.** ..... **14-02**

(52) **U.S. Cl.**  
USPC ..... **D14/428**

(58) **Field of Classification Search**

USPC ..... D14/420, 426-430, 453, 346, 341, 347, D14/412, 138; D13/107, 184; 358/473; 235/462.43, 462.45, 462.47, 462.48, 235/462.44, 462.46, 487, 472.01, 472.02, 235/145 A, 145 R; D10/78; 324/426; D3/273; 710/73; D18/7; 361/679, 728, 361/679.56; 382/313, 321; 455/575.1, 455/561, 572; 345/156, 168, 169, 172, 345/173, 87; 705/17, 18, 22-25  
CPC ..... G06F 1/626; G06F 1/1626; G06F 1/1656; G06F 1/1632; G06F 1/1684; G06F 1/1635; G06F 8/63; G06F 17/30091; G06F 9/4401; G06K 7/10881; G06K

7/1098; G06K 7/10722; G06K 7/1404; G06K 7/0004; G06K 7/10633; G06K 7/10851; G06K 7/1091; G06K 7/1092; G06K 7/1093; G06K 7/10; G06K 7/109; G06K 7/1417; G06K 9/228; G06K 17/0022; G06K 17/00; G06K 2207/1011; G06K 2207/1013; G06K 2207/1016; G06K 2207/1018; G06K 2017/0051; G06K 2017/0067; G06K 2007/10524; G07G 1/0081; G07G 1/009;

(Continued)

(56) **References Cited**

U.S. PATENT DOCUMENTS

D362,435 S \* 9/1995 Charych ..... D14/428  
5,475,206 A \* 12/1995 Reddersen ..... G06K 7/10653  
235/462.39

(Continued)

*Primary Examiner* — Susan Moon Lee

(74) *Attorney, Agent, or Firm* — Additon, Higgins & Pendleton, P.A.

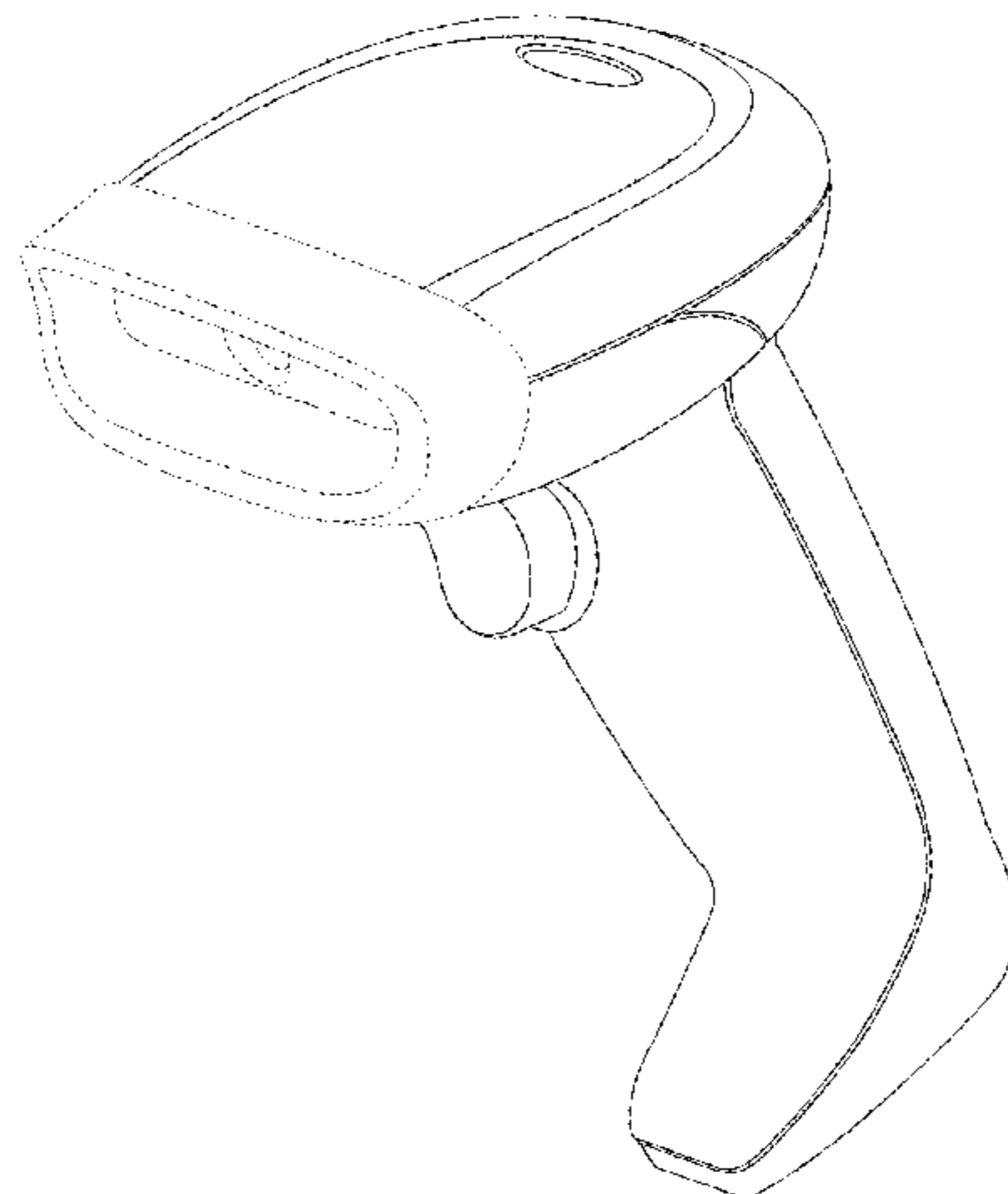
(57) **CLAIM**

The ornamental design for a scanner, as shown and described.

**DESCRIPTION**

FIG. 1 is a front elevation view of a scanner in accordance with the present design;  
FIG. 2 is a rear elevation view of the scanner;  
FIG. 3 is a left elevation view of the scanner;  
FIG. 4 is a right elevation view of the scanner;  
FIG. 5 is a top plan view of the scanner;  
FIG. 6 is a bottom plan view of the scanner; and,  
FIG. 7 is a front perspective view of the scanner.  
Broken lines shown in the drawings of the scanner are for illustrative purposes only and form no part of the claimed design.

**1 Claim, 7 Drawing Sheets**



(58) **Field of Classification Search**

CPC .... G06Q 20/20; G06Q 20/201; G06Q 20/202;  
 G06Q 20/203; G06Q 20/30; G06Q 20/32;  
 G06Q 20/322; G06Q 20/4014; G06Q  
 10/087; H04N 1/00127; H04N 1/00135;  
 H04N 1/00326; H04N 1/00334; H04N  
 1/00307; H04N 1/107; H04N 2201/0084;  
 H04N 2101/00; H04M 1/0249; H04M  
 1/0262; H04M 1/0266; H04M 1/18;  
 H04M 1/23; H04M 1/236; H04B 1/3827;  
 H04B 1/3833; H04B 1/3877; H04B  
 1/3883; H04B 1/3888; H04B 2001/3894;  
 H01M 2/1066

See application file for complete search history.

(56) **References Cited**

U.S. PATENT DOCUMENTS

5,814,803 A \* 9/1998 Olmstead ..... G06K 7/10702  
 235/454  
 5,850,078 A \* 12/1998 Giordano ..... G06K 7/10881  
 235/462.27  
 6,129,282 A \* 10/2000 Reddersen ..... G06K 7/10881  
 235/454  
 6,318,634 B1 \* 11/2001 Svetal ..... G02B 26/10  
 235/462.4  
 D456,809 S \* 5/2002 Schlieffers ..... D14/426  
 D456,810 S \* 5/2002 Schlieffers ..... D14/426  
 D459,728 S \* 7/2002 Roberts ..... D14/428  
 6,478,226 B2 \* 11/2002 Canini ..... G06K 7/10881  
 235/454  
 D470,145 S \* 2/2003 Schlieffers ..... D14/428  
 6,517,003 B2 \* 2/2003 Vassura ..... G06K 7/10881  
 235/462.45  
 7,090,132 B2 \* 8/2006 Havens ..... G06K 7/10584  
 235/454  
 D542,802 S \* 5/2007 Woodcock ..... D14/426  
 D562,825 S \* 2/2008 Fitch ..... D14/426  
 D566,713 S \* 4/2008 Ah ..... D14/426  
 D570,843 S \* 6/2008 Mazzone ..... D14/426  
 D574,832 S \* 8/2008 MacGregor ..... D14/428  
 D588,596 S \* 3/2009 Mazzone ..... D14/426  
 D603,408 S \* 11/2009 Fitch ..... D14/426  
 D606,544 S \* 12/2009 Di Bari ..... D14/426  
 7,823,789 B2 \* 11/2010 Nunnink ..... G06K 7/10732  
 235/462.25  
 8,424,768 B2 \* 4/2013 Rueblinger ..... G06K 7/10881  
 235/462.01  
 D692,004 S \* 10/2013 Man ..... D14/426  
 8,825,516 B2 \* 9/2014 Grant ..... G06Q 10/08  
 235/385  
 D726,186 S \* 4/2015 Jenkins ..... D14/426  
 9,053,378 B1 \* 6/2015 Hou ..... G06K 7/10594  
 D734,339 S \* 7/2015 Zhou ..... D14/428  
 9,262,633 B1 \* 2/2016 Todeschini ..... G06F 21/56  
 D753,660 S \* 4/2016 Zhou ..... D14/428  
 9,367,723 B1 \* 6/2016 Drzymala ..... G06K 7/10881  
 9,460,328 B1 \* 10/2016 Arias Navarro .....  
 G06K 19/06103

D791,137 S \* 7/2017 Wang ..... D14/428  
 9,747,484 B1 \* 8/2017 Drzymala ..... G06K 7/10752  
 9,811,705 B1 \* 11/2017 Suman ..... G06K 7/10881  
 D826,234 S \* 8/2018 Zhou ..... D14/428  
 10,140,491 B1 \* 11/2018 Barkan ..... G06K 7/10851  
 2002/0096566 A1 \* 7/2002 Schwartz ..... G06K 7/10732  
 235/462.42  
 2002/0148902 A1 \* 10/2002 Schlieffers ..... G06K 7/10881  
 235/472.01  
 2007/0272756 A1 \* 11/2007 Brock ..... G06K 7/10722  
 235/462.25  
 2008/0078839 A1 \* 4/2008 Barkan ..... G06K 7/10554  
 235/470  
 2008/0106726 A1 \* 5/2008 Park ..... G07D 7/0043  
 356/71  
 2008/0191022 A1 \* 8/2008 Barkan ..... G06K 7/10603  
 235/462.01  
 2009/0057413 A1 \* 3/2009 Vinogradov ..... G02B 27/20  
 235/462.35  
 2009/0140050 A1 \* 6/2009 Liu ..... G06K 7/10732  
 235/462.42  
 2010/0065642 A1 \* 3/2010 An ..... G06K 7/10881  
 235/462.43  
 2010/0155481 A1 \* 6/2010 Vinogradov ..... G06K 7/10722  
 235/462.21  
 2010/0219249 A1 \* 9/2010 Barkan ..... G06K 7/10732  
 235/462.42  
 2013/0200158 A1 \* 8/2013 Feng ..... G06K 7/10633  
 235/462.36  
 2013/0327834 A1 \* 12/2013 Hennick ..... G06K 7/10831  
 235/462.36  
 2014/0048684 A1 \* 2/2014 Barkan ..... G06K 7/10722  
 250/208.1  
 2014/0048687 A1 \* 2/2014 Drzymala ..... H01L 27/14625  
 250/208.1  
 2014/0049120 A1 \* 2/2014 Kohtz ..... H03K 17/94  
 307/117  
 2014/0197239 A1 \* 7/2014 Havens ..... G06K 7/10623  
 235/462.38  
 2015/0021397 A1 \* 1/2015 Rueblinger ..... G06K 7/1443  
 235/462.08  
 2015/0109643 A1 \* 4/2015 Auger ..... G07D 7/12  
 358/448  
 2015/0193645 A1 \* 7/2015 Colavito ..... G06K 7/10881  
 235/472.01  
 2015/0220765 A1 \* 8/2015 Carnevali ..... G06K 7/10881  
 235/462.45  
 2015/0379838 A1 \* 12/2015 Xie ..... G08B 13/242  
 340/572.3  
 2016/0104019 A1 \* 4/2016 Todeschini ..... G06K 7/10732  
 235/472.01  
 2016/0163142 A1 \* 6/2016 Auger ..... G07D 7/20  
 235/375  
 2016/0350563 A1 \* 12/2016 Ye ..... G06K 7/109  
 2017/0091502 A1 \* 3/2017 Furlong ..... G06K 7/12  
 2017/0140191 A1 \* 5/2017 Tanabe ..... G06K 7/10762  
 2017/0289421 A1 \* 10/2017 Tan ..... G06K 7/10722  
 2017/0318206 A1 \* 11/2017 Handshaw ..... H04N 1/107  
 2018/0330135 A1 \* 11/2018 Suman ..... G06K 19/14

\* cited by examiner

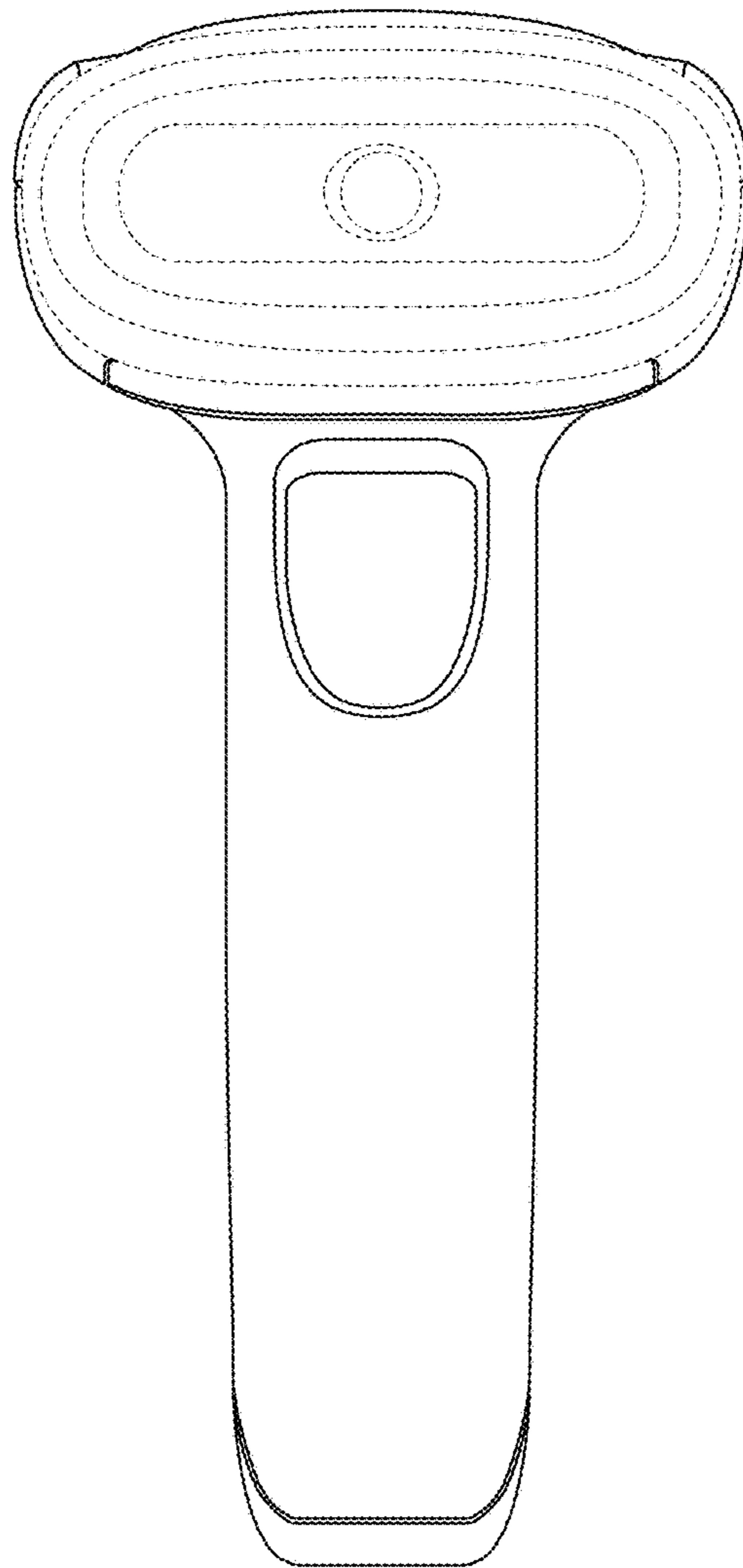


FIG. 1



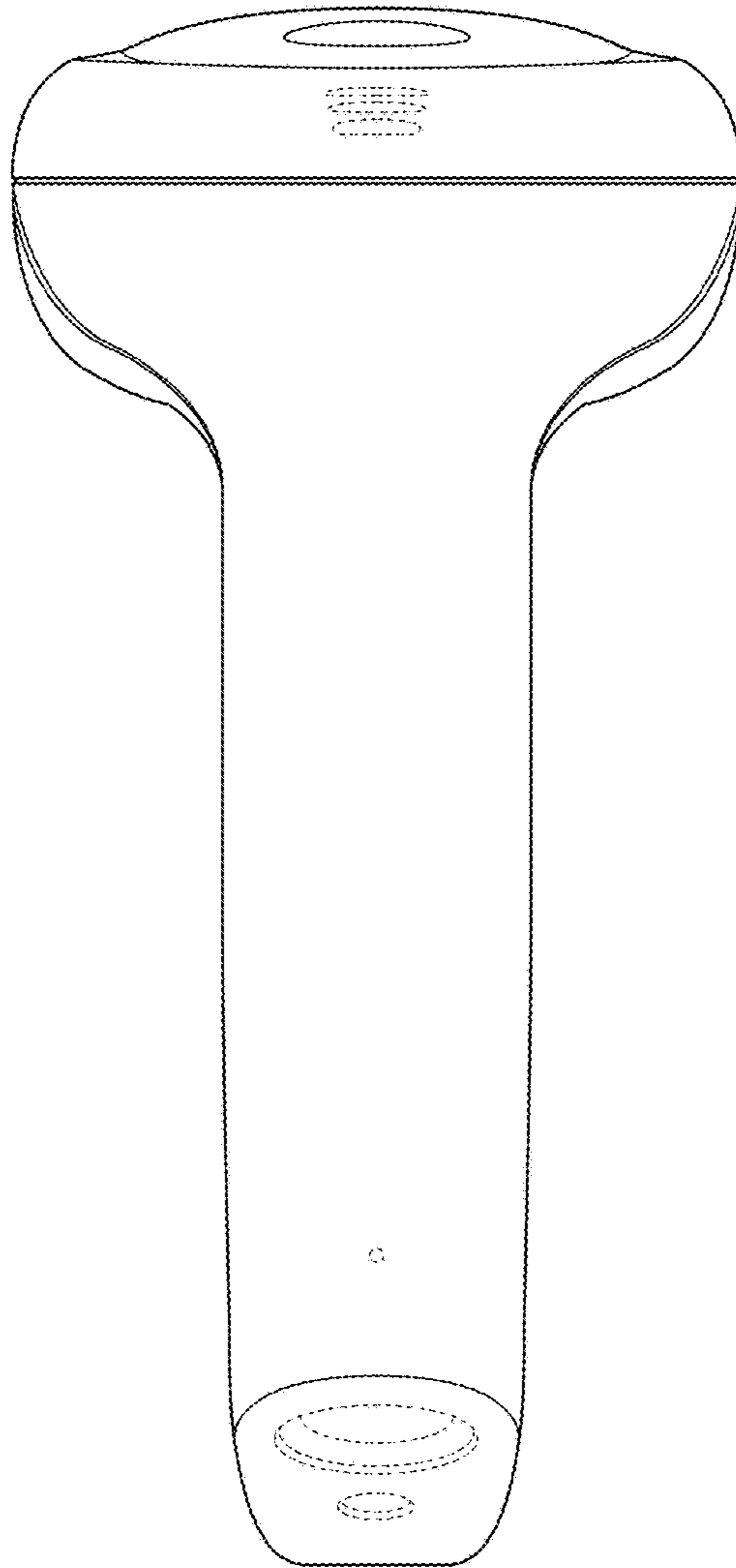


FIG. 2

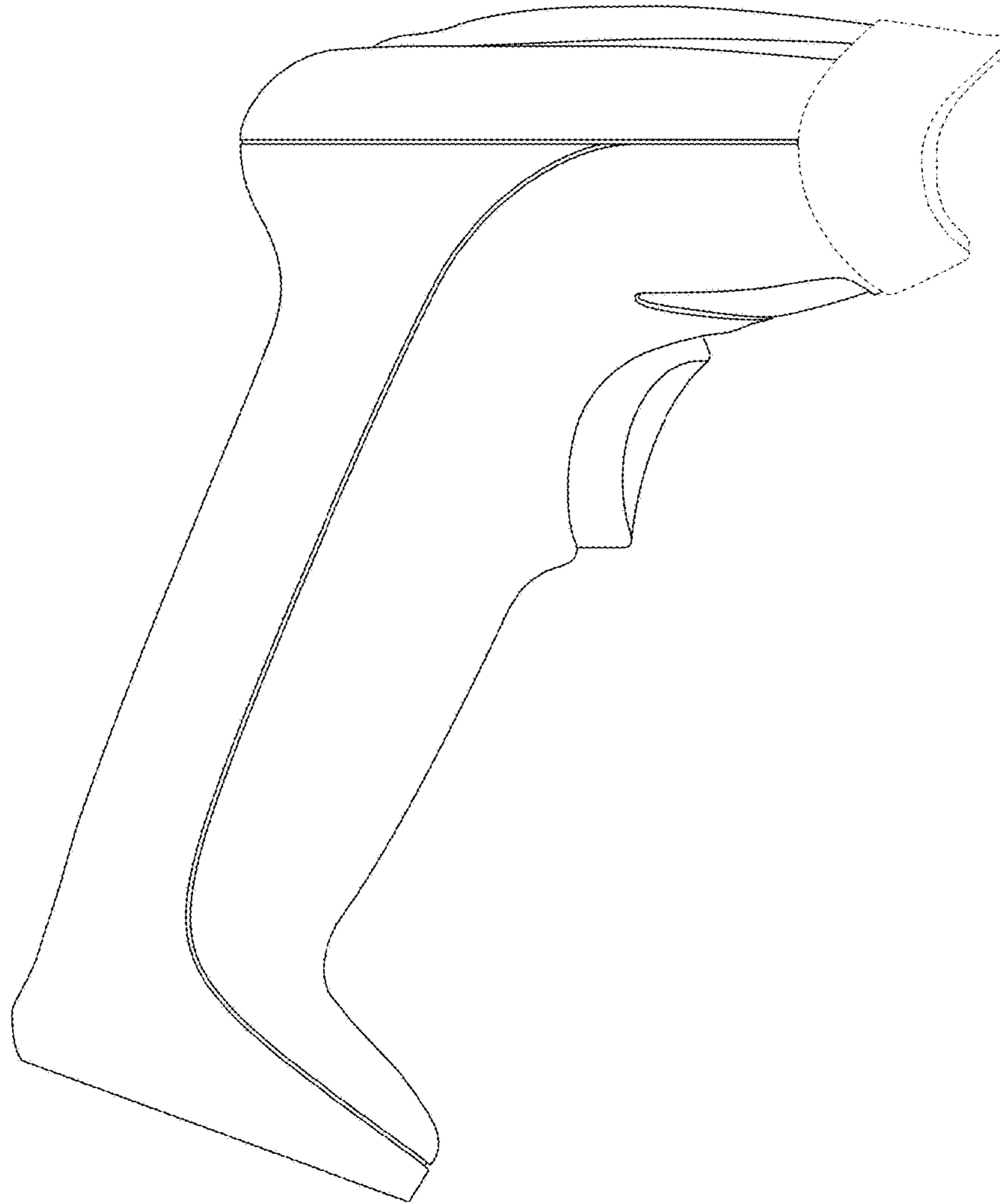


FIG. 3

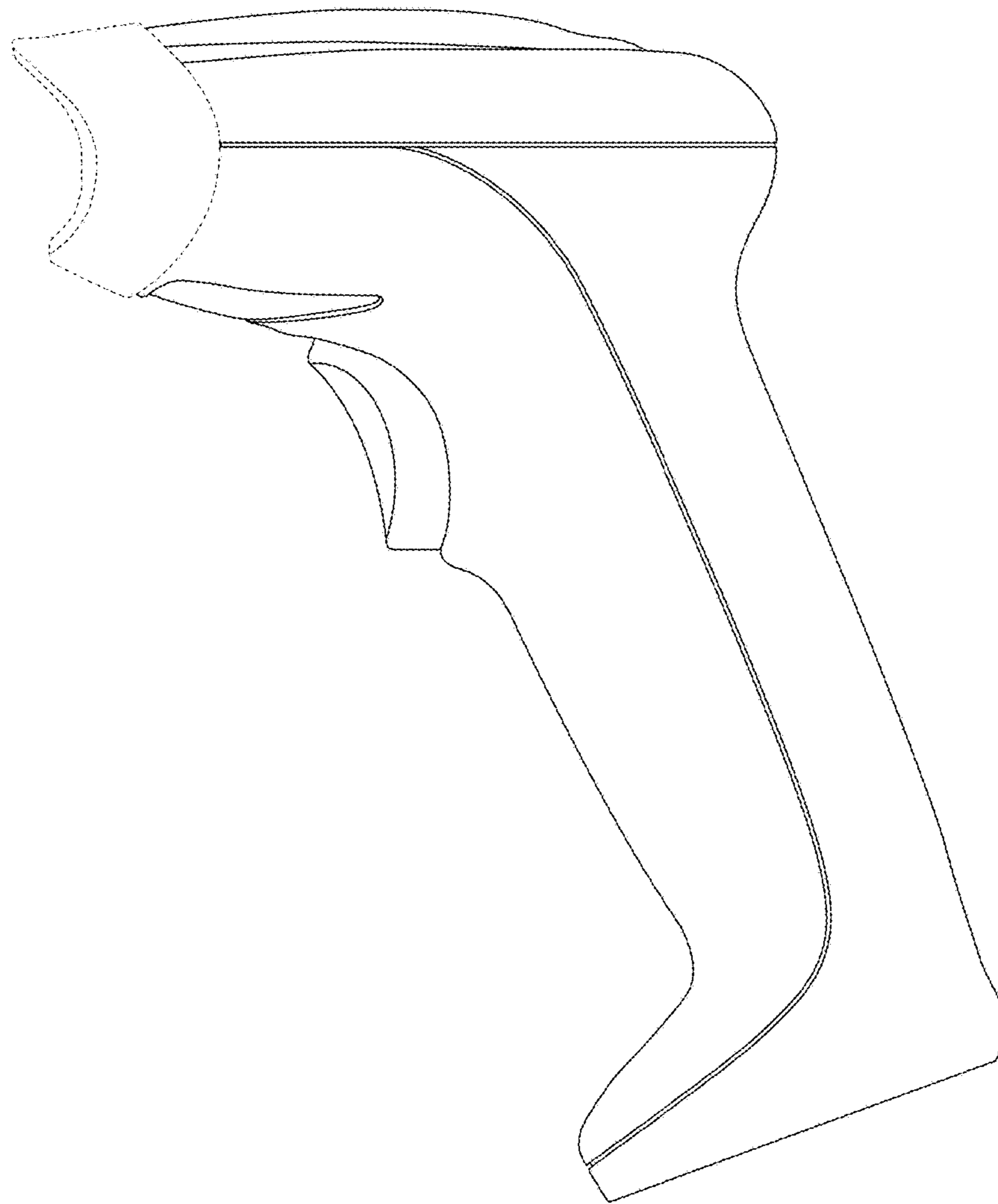


FIG. 4

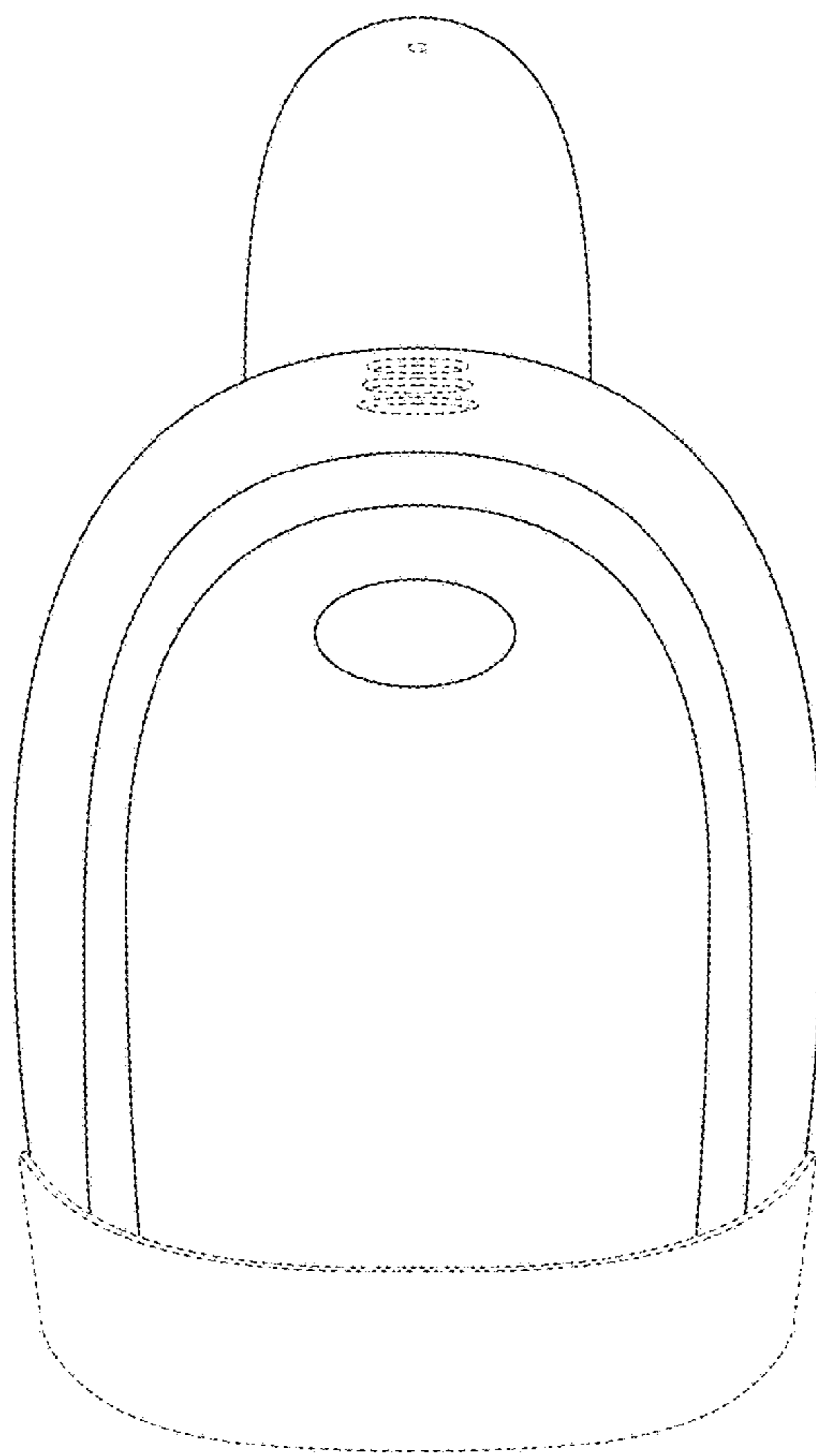


FIG. 5

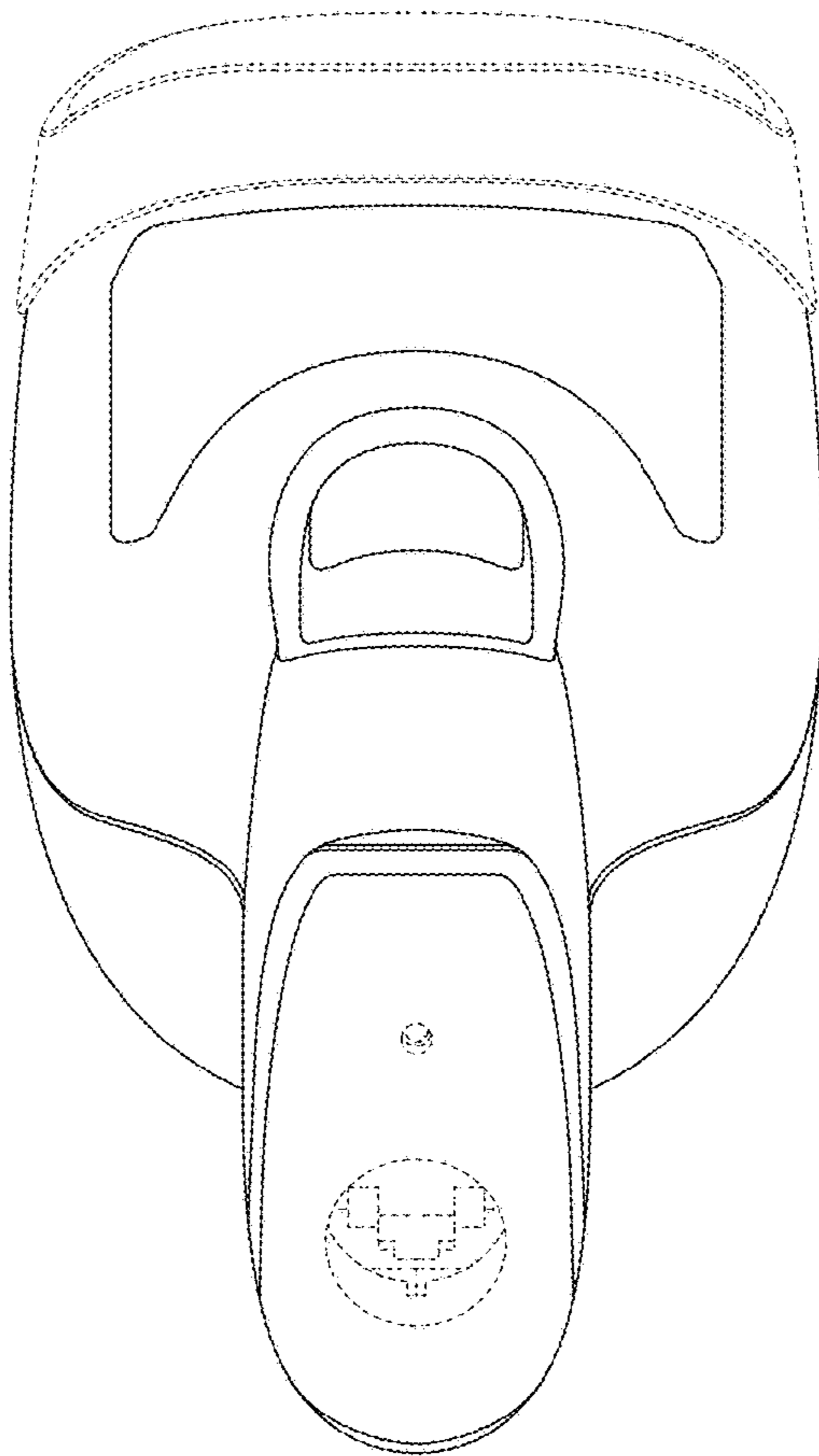


FIG. 6



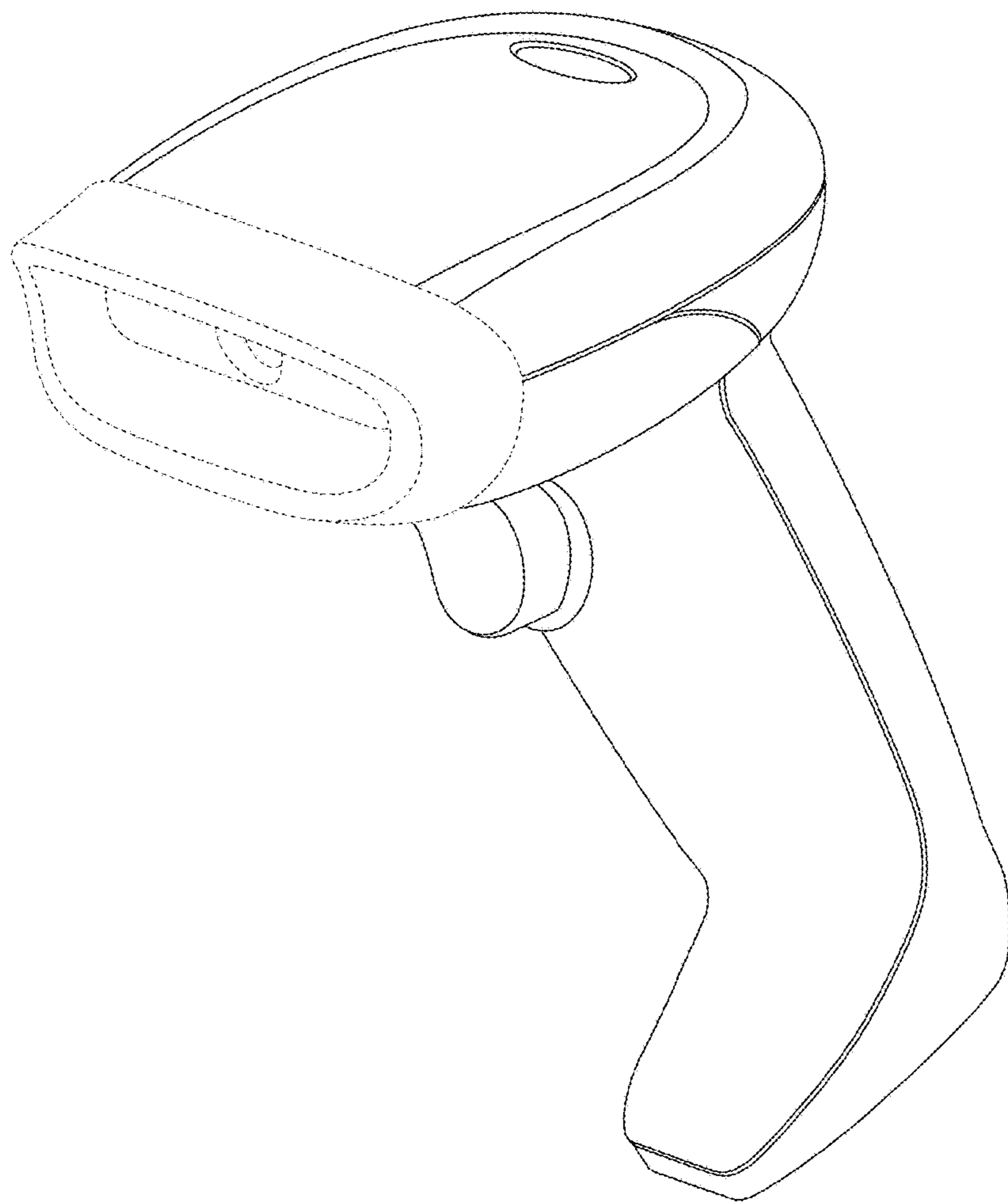


FIG. 7