



US00D857016S

(12) **United States Design Patent**
Long

(10) **Patent No.:** **US D857,016 S**

(45) **Date of Patent:** **** Aug. 20, 2019**

(54) **PORTABLE CARD READER**
(71) Applicant: **SHENZHEN DEFTUN TECHNOLOGY CO., LTD**, Shenzhen (CN)

D607,000 S * 12/2009 Cheng D14/385
D768,630 S * 10/2016 Austin D14/385
D814,467 S * 4/2018 Long D14/385
D814,468 S * 4/2018 Long D14/385
D815,093 S * 4/2018 Long D14/385
2013/0140363 A1* 6/2013 Hart G07F 19/2055
235/449

(72) Inventor: **Shengqing Long**, Shenzhen (CN)
(73) Assignee: **SHENZHEN DEFTUN TECHNOLOGY CO., LTD**, Shenzhen (CN)

* cited by examiner

Primary Examiner — Austin Murphy
(74) *Attorney, Agent, or Firm* — JiangIP LLC; Yanling Jiang

(**) Term: **15 Years**

(57) **CLAIM**

(21) Appl. No.: **29/603,305**

The ornamental design for a portable card reader, as shown and described.

(22) Filed: **May 9, 2017**

DESCRIPTION

(51) **LOC (12) Cl.** **14-02**

(52) **U.S. Cl.**
USPC **D14/385**

(58) **Field of Classification Search**
USPC D14/356–358, 383–385, 420, 426, 427, D14/432–439, 447, 453, 454, 217, 253, D14/299; D13/107, 108, 133, 146, 147, D13/152, 154, 156, 158, 162, 162.1, 168, D13/173, 177, 102; 235/441, 451, 492, 235/380, 439, 375; 361/679.31, 600, 361/679.01, 679.02
CPC G06Q 20/347; G06Q 20/322; G06Q 40/02; G06Q 30/06; G07F 7/0886
See application file for complete search history.

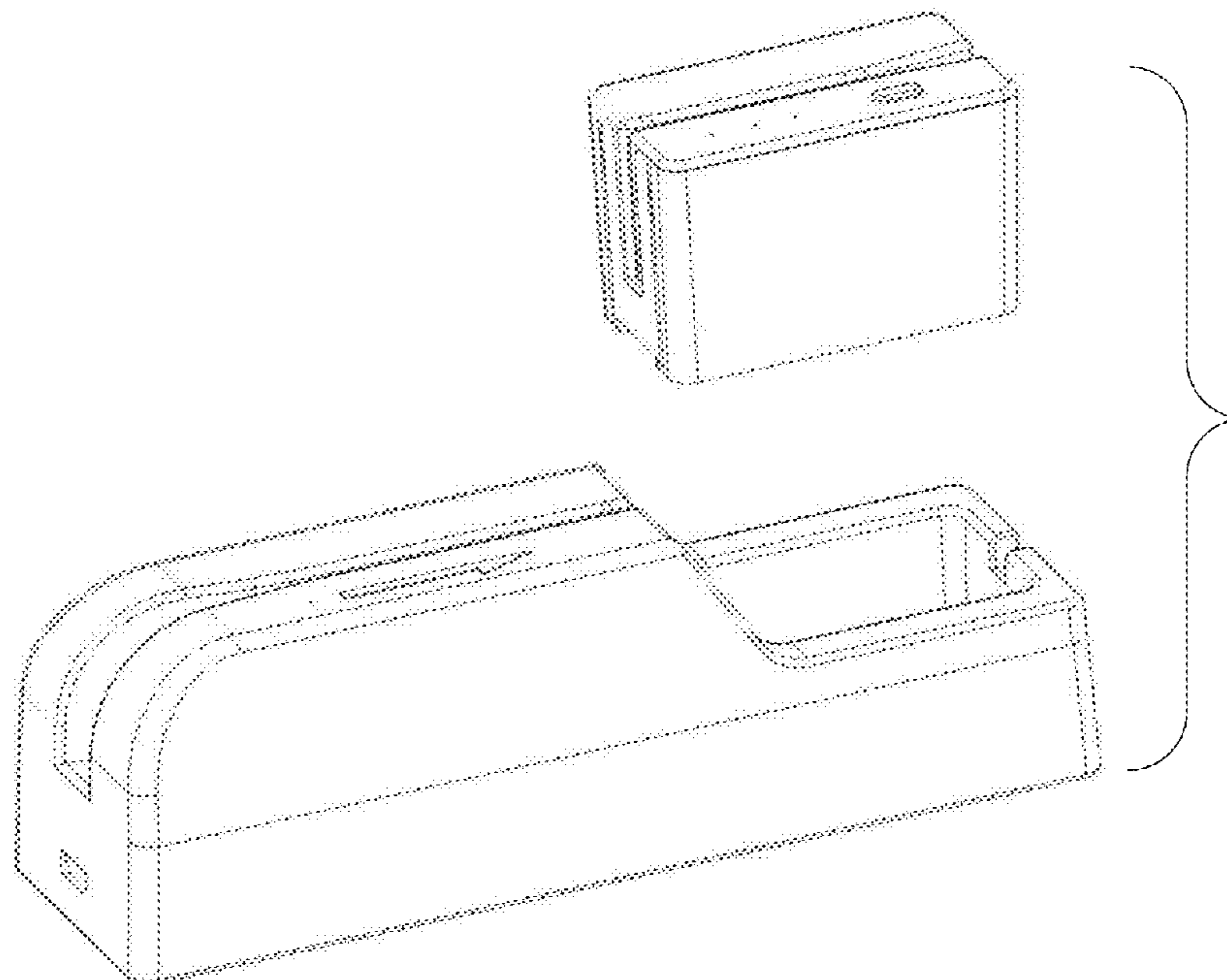
FIG. 1 is a perspective view showing a portable card reader that comprises two parts.
FIG. 2 is a perspective view showing a portable card reader that comprises two parts.
FIG. 3 is a front view of a portable card reader bottom.
FIG. 4 is a rear view of a portable card reader bottom.
FIG. 5 is a top view of a portable card reader bottom.
FIG. 6 is a bottom view of a portable card reader bottom.
FIG. 7 is a side view of a portable card reader bottom.
FIG. 8 is a side view of a portable card reader bottom.
FIG. 9 is a front view of a portable card reader top.
FIG. 10 is a rear view of a portable card reader top.
FIG. 11 is a top view of a portable card reader top.
FIG. 12 is a bottom view of a portable card reader top.
FIG. 13 is a side view of a portable card reader top.
FIG. 14 is a side view of a portable card reader top; and, FIG. 15 is a perspective view showing a portable card reader top.

(56) **References Cited**

U.S. PATENT DOCUMENTS

D305,882 S * 2/1990 Kato D14/385
D558,765 S * 1/2008 Fidler D14/385

1 Claim, 15 Drawing Sheets



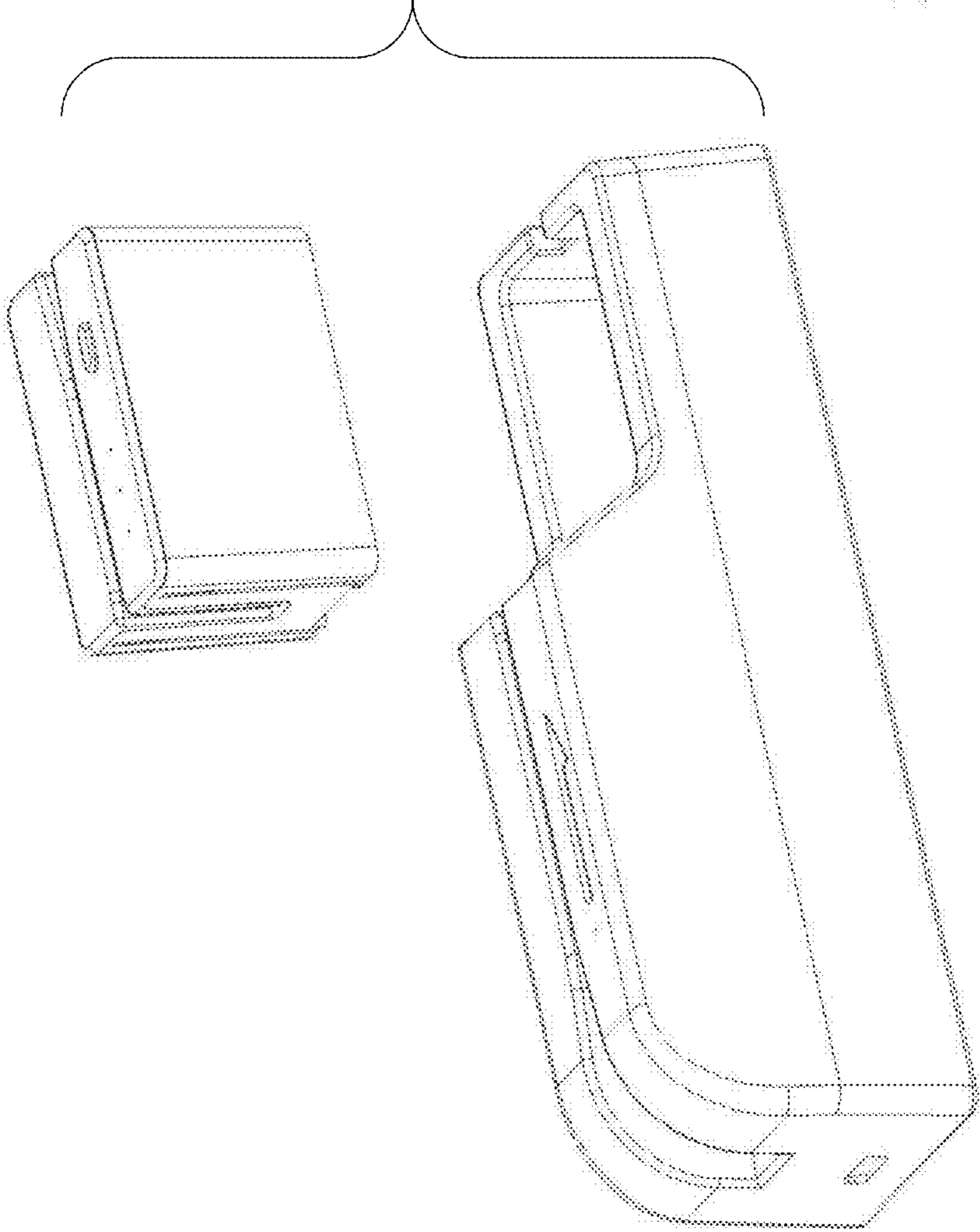


Fig. 1

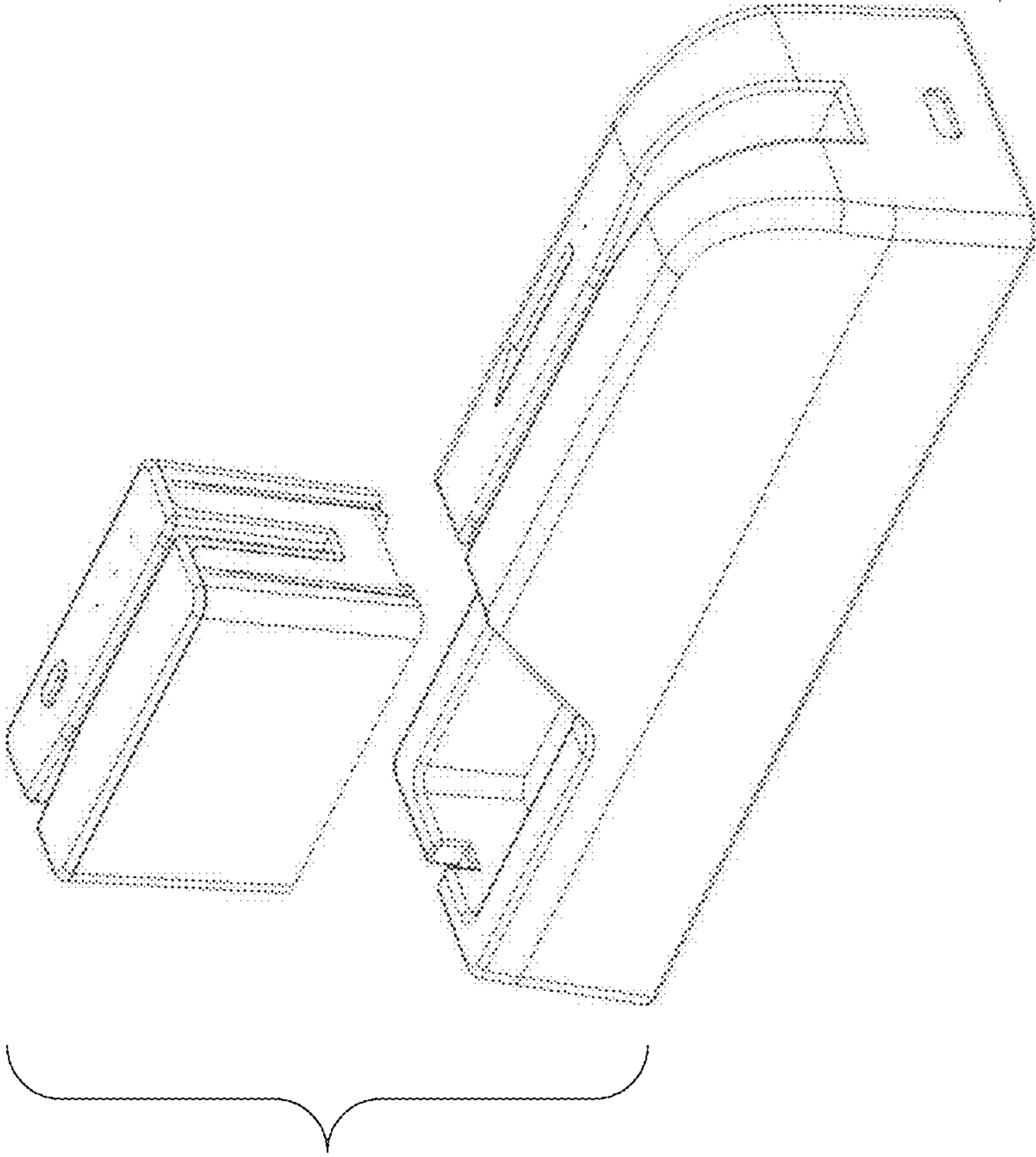


Fig. 2

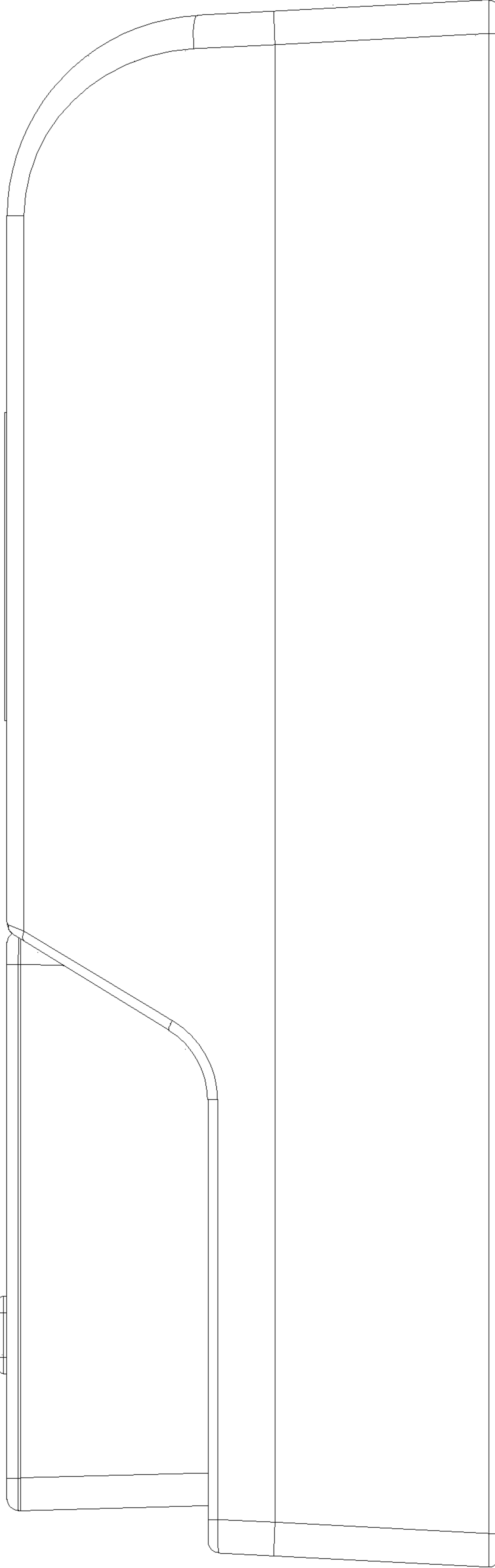


Fig. 3

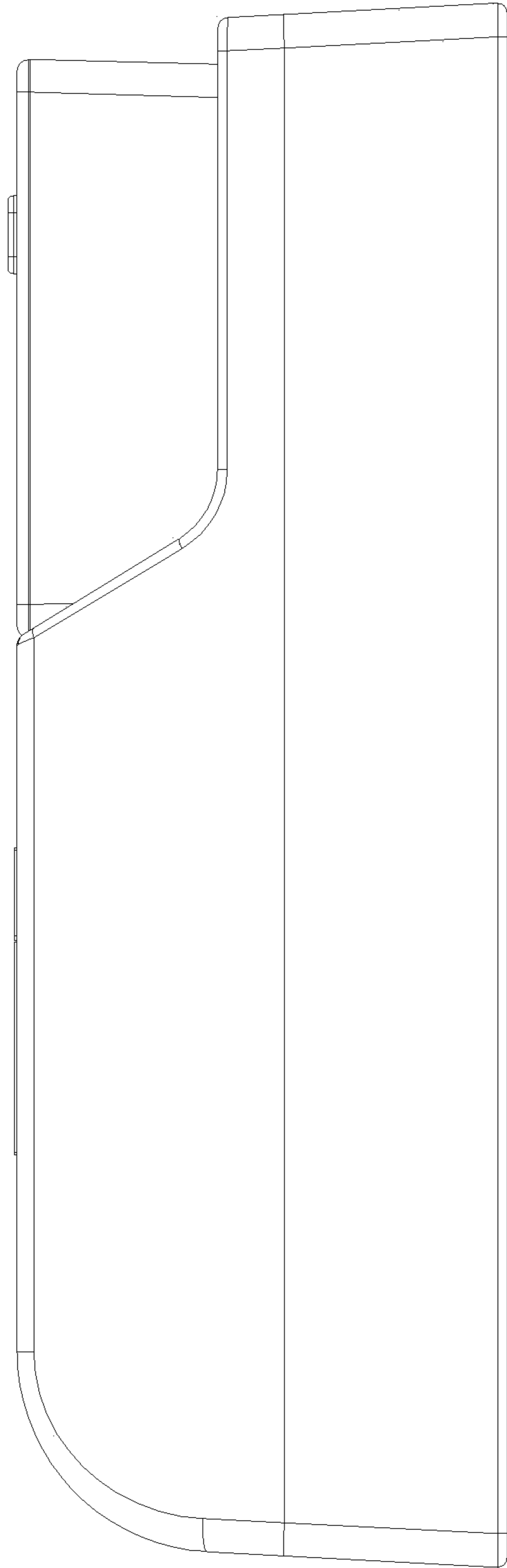


Fig. 4

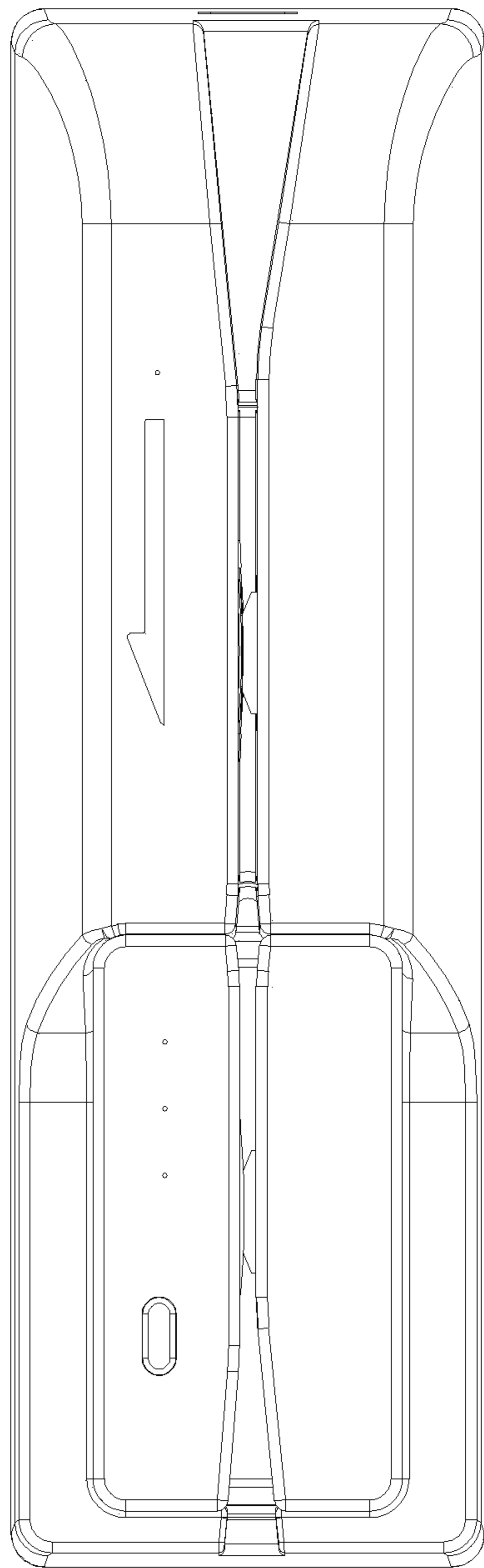


Fig. 5

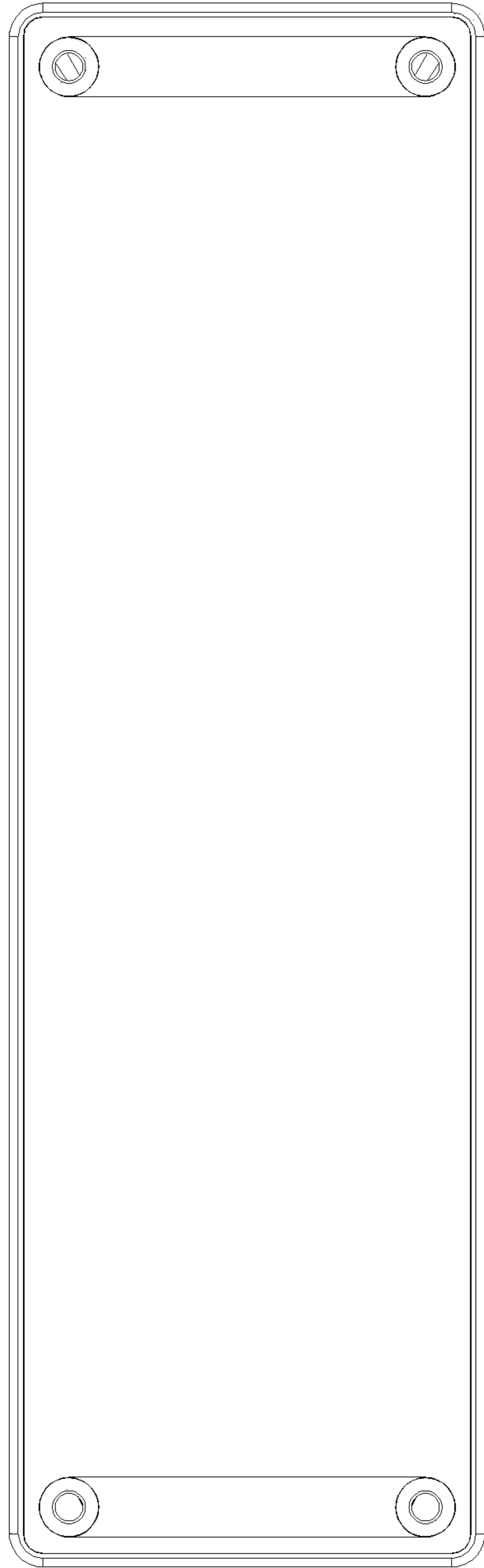


Fig. 6

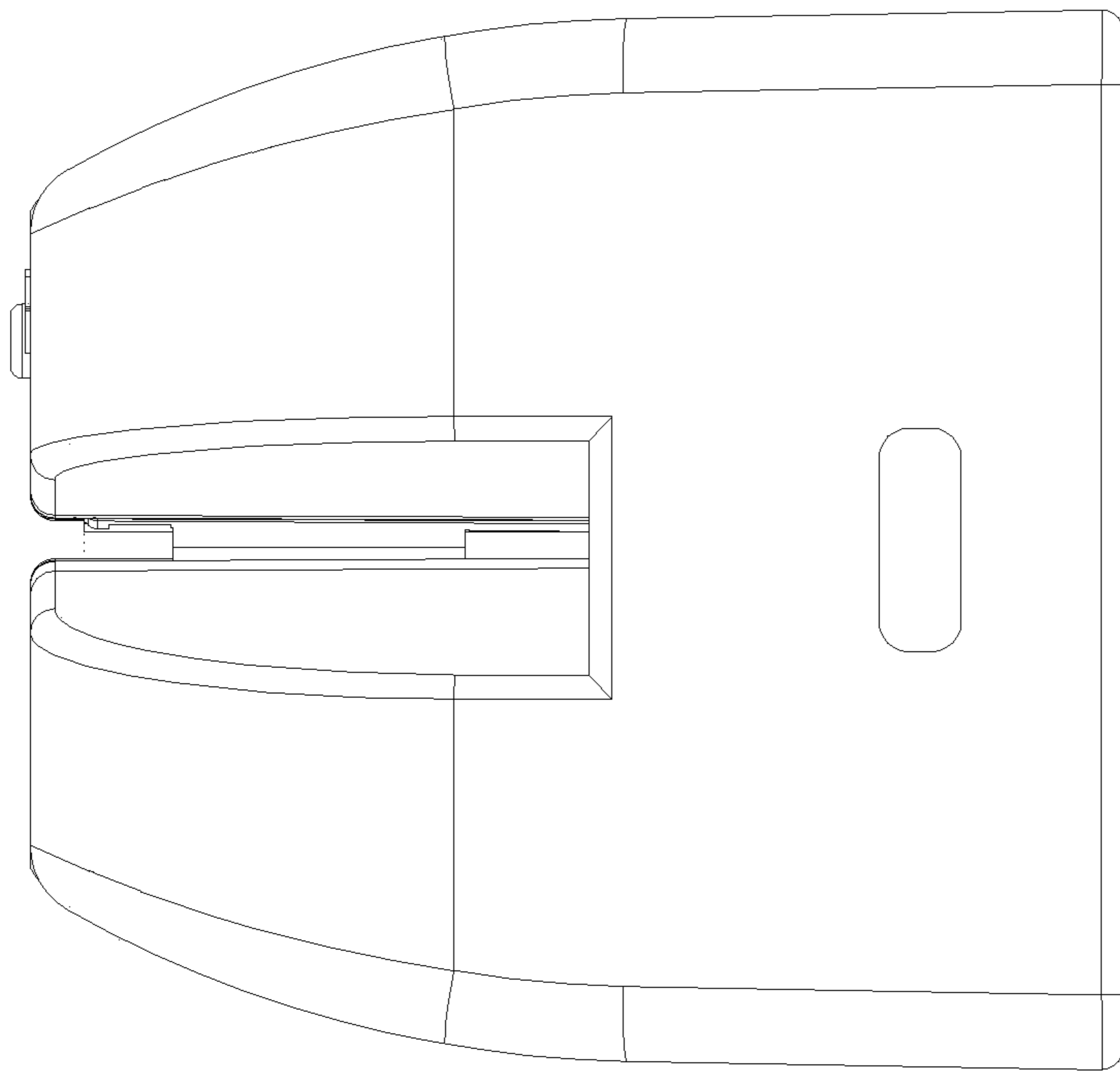


Fig. 7

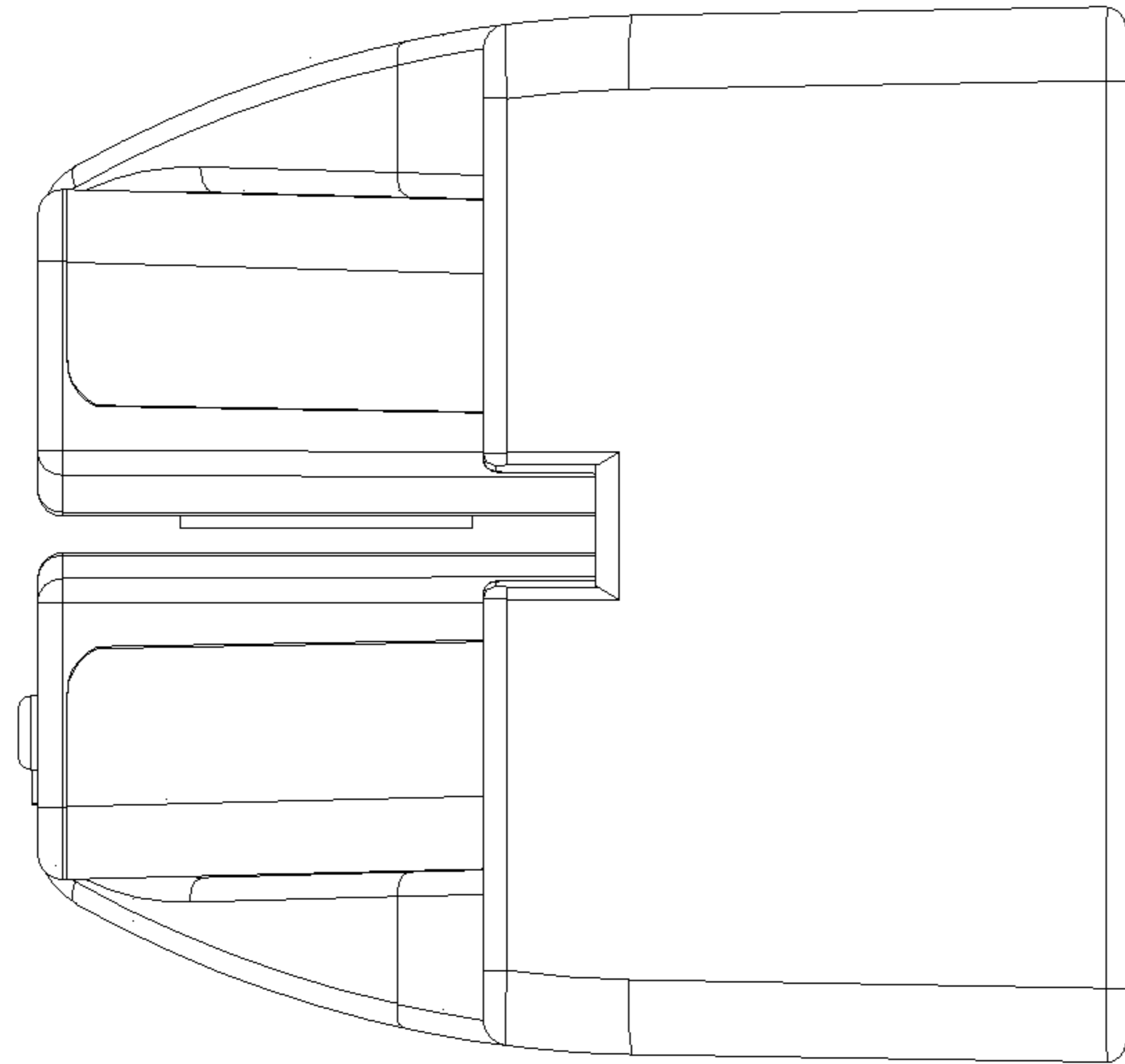


Fig. 8



Fig. 9

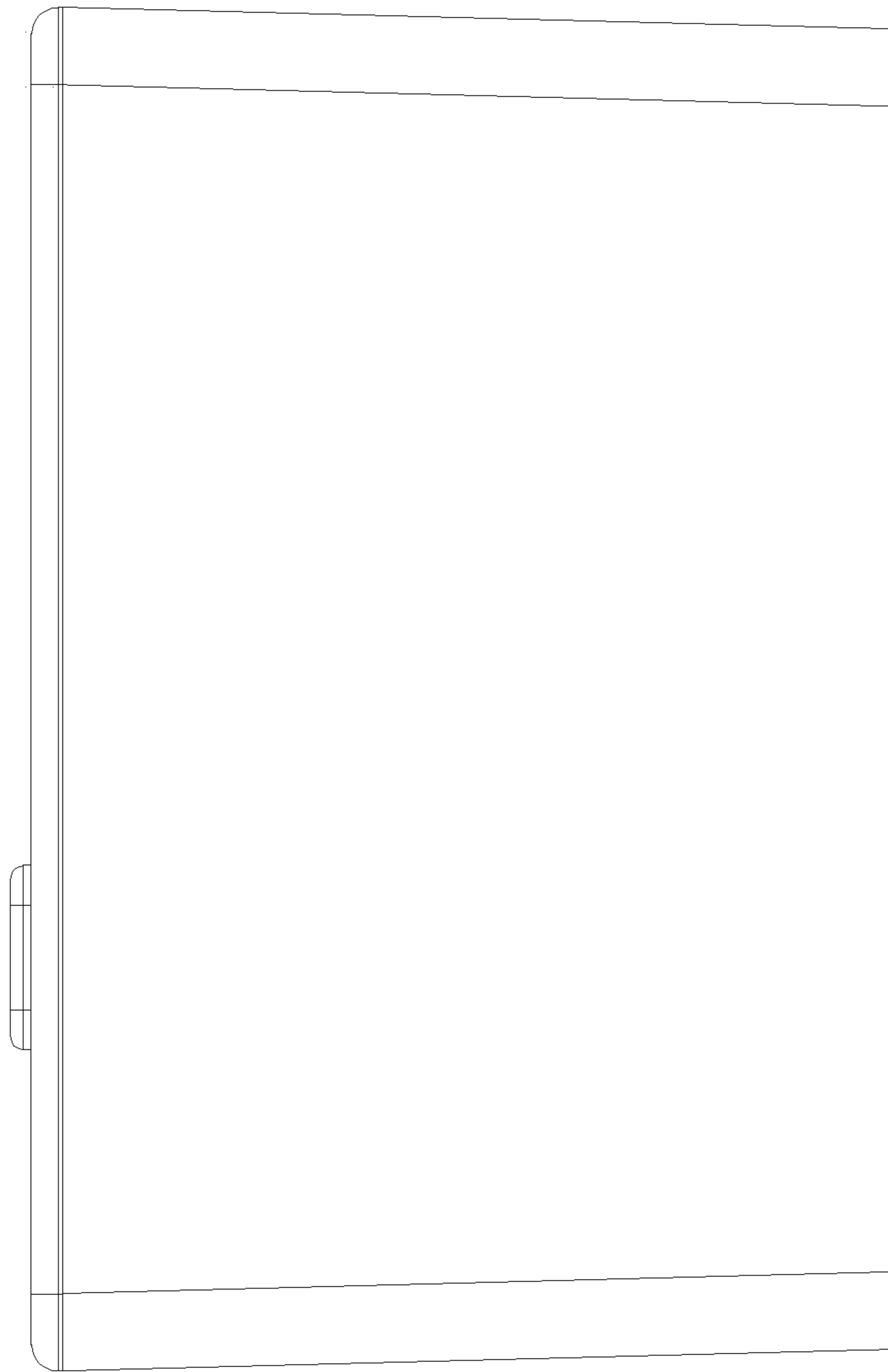


Fig. 10

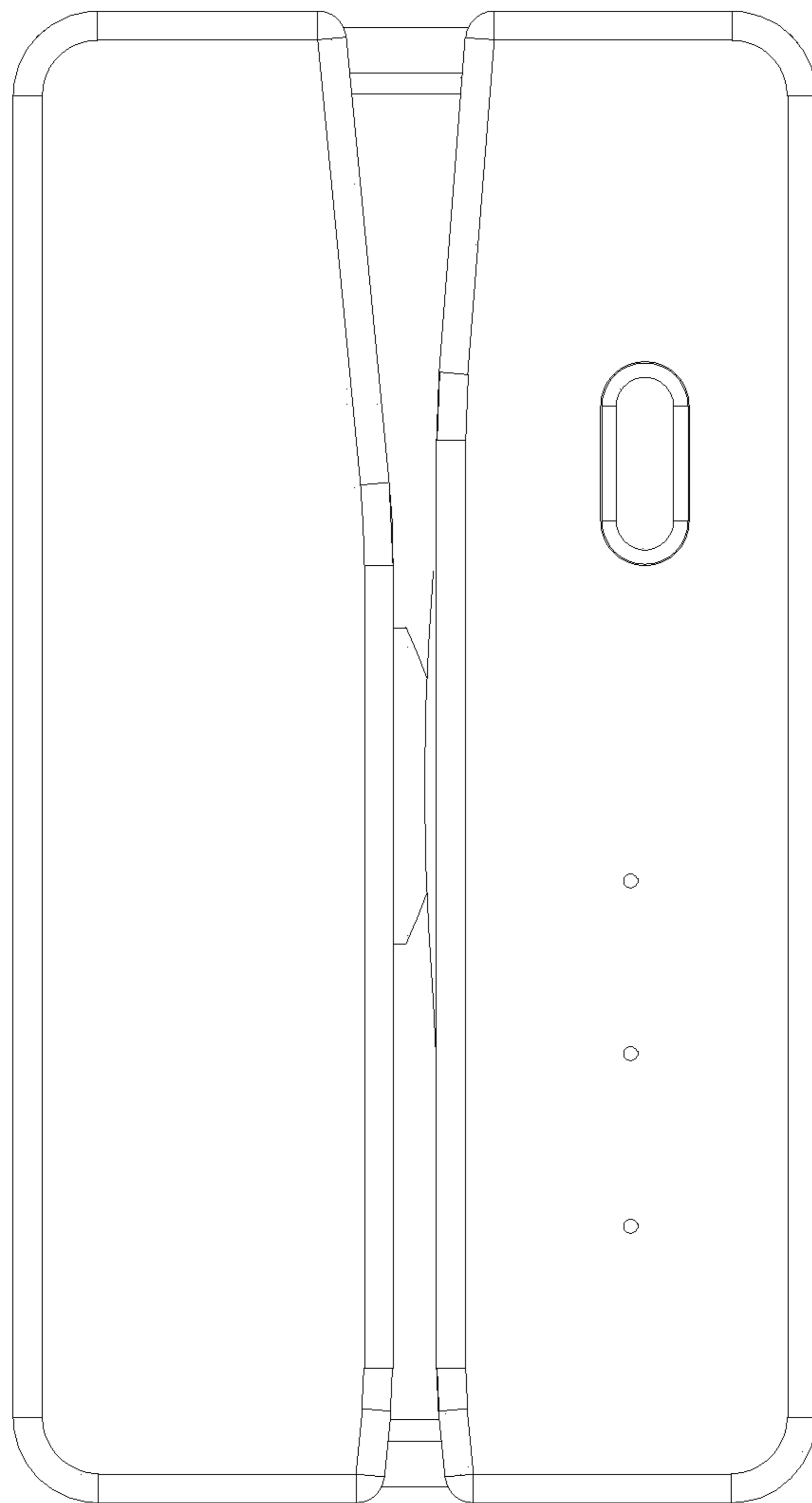


Fig. 11

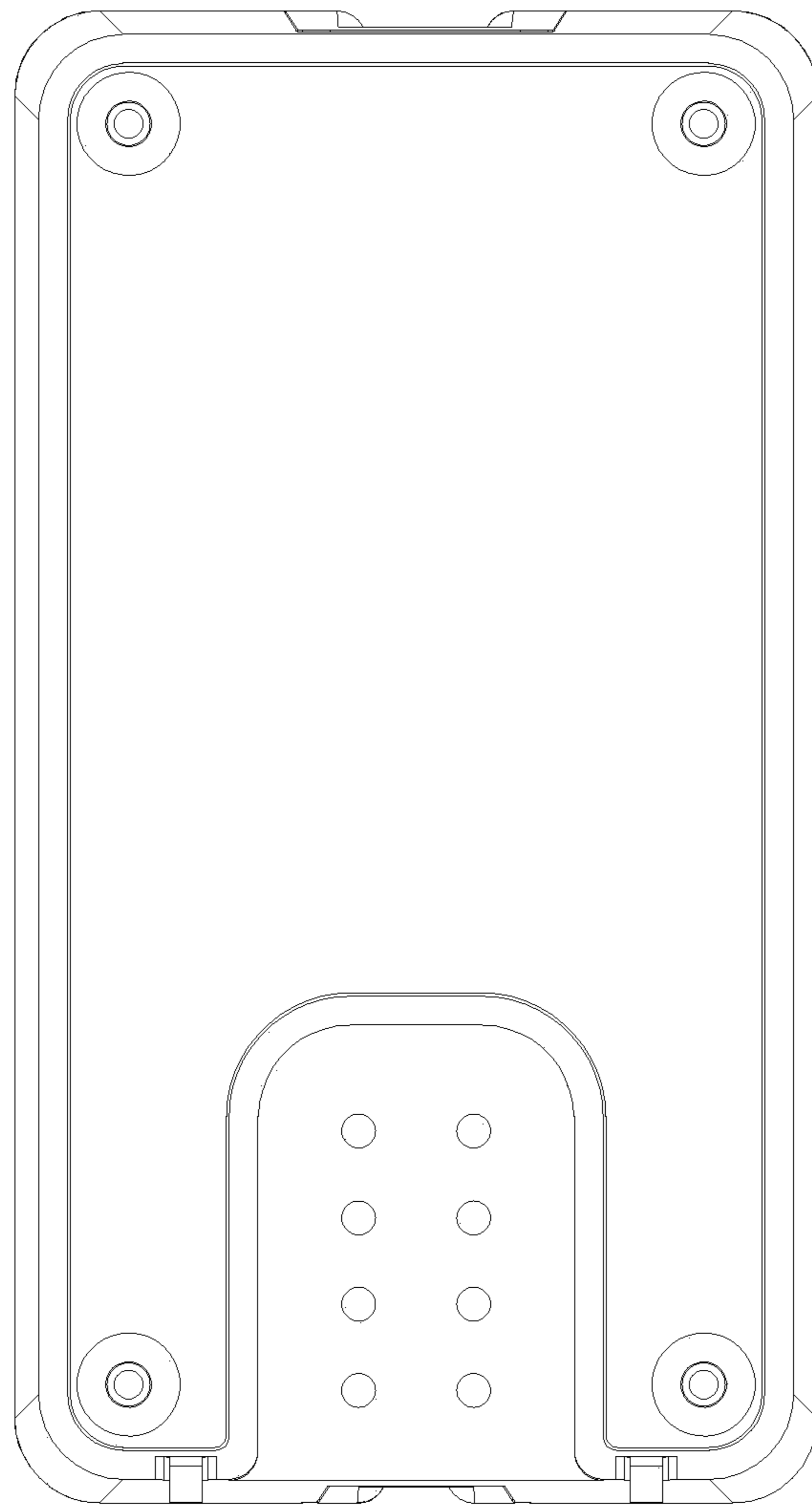


Fig. 12

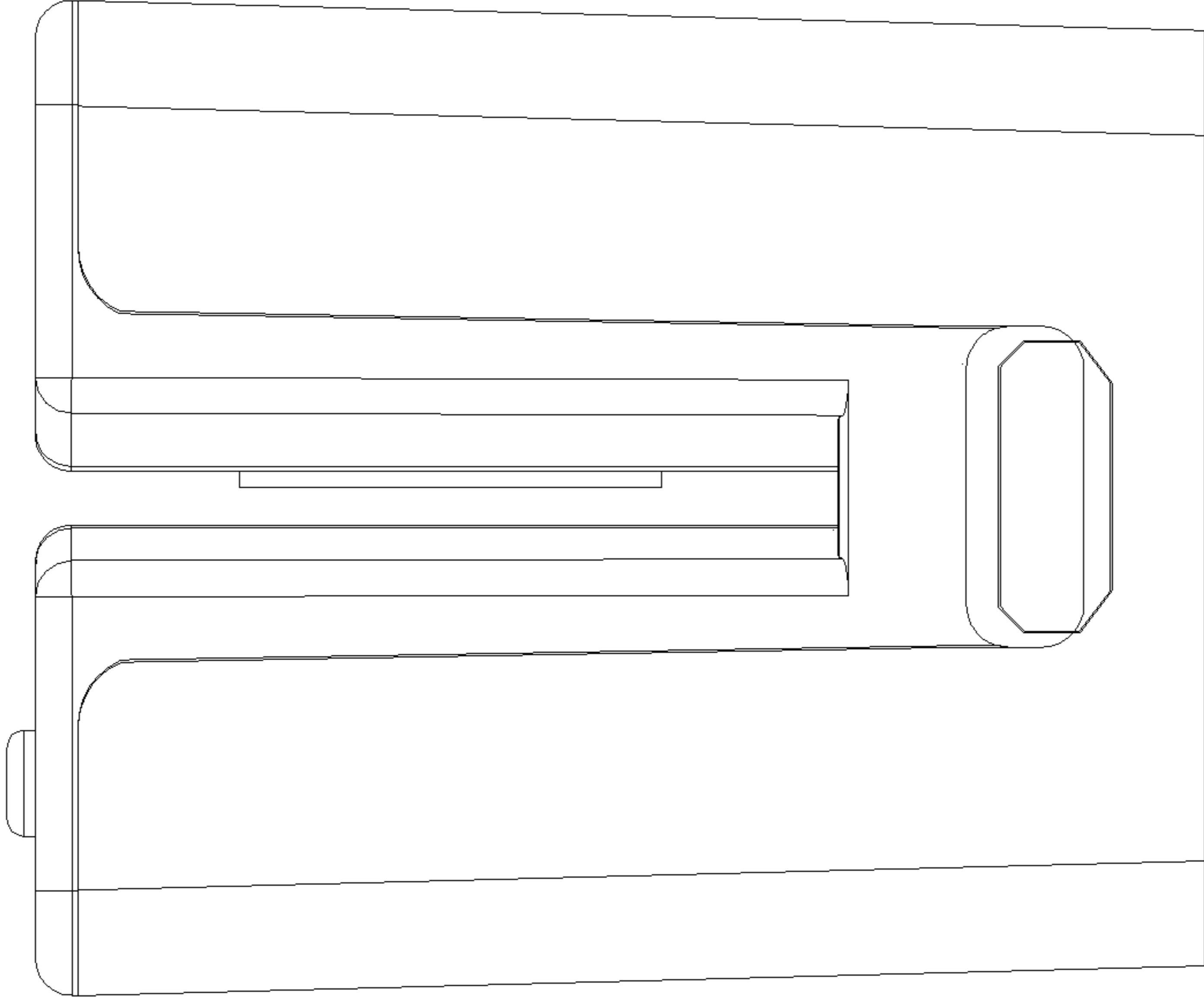


Fig. 13

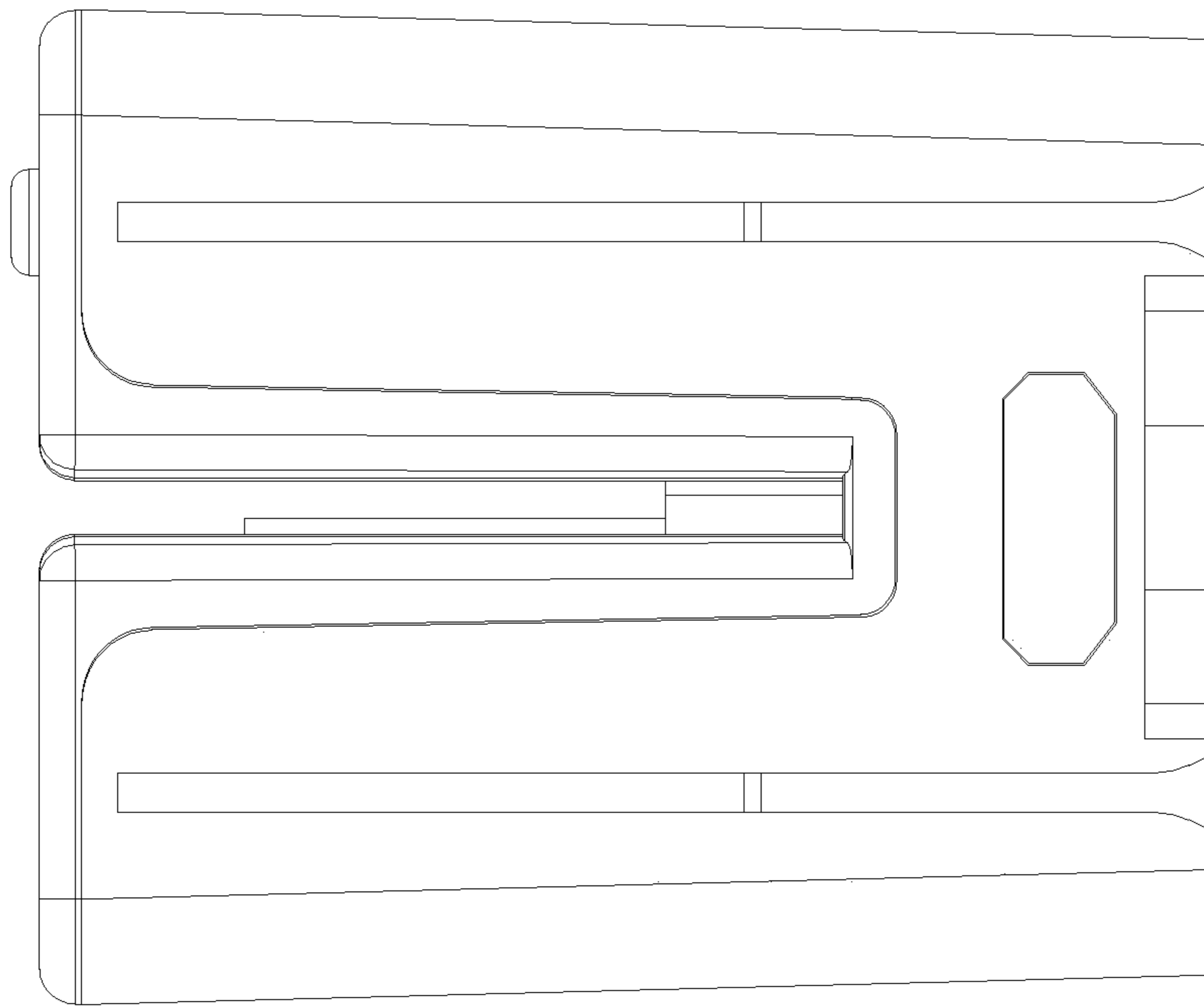


Fig. 14

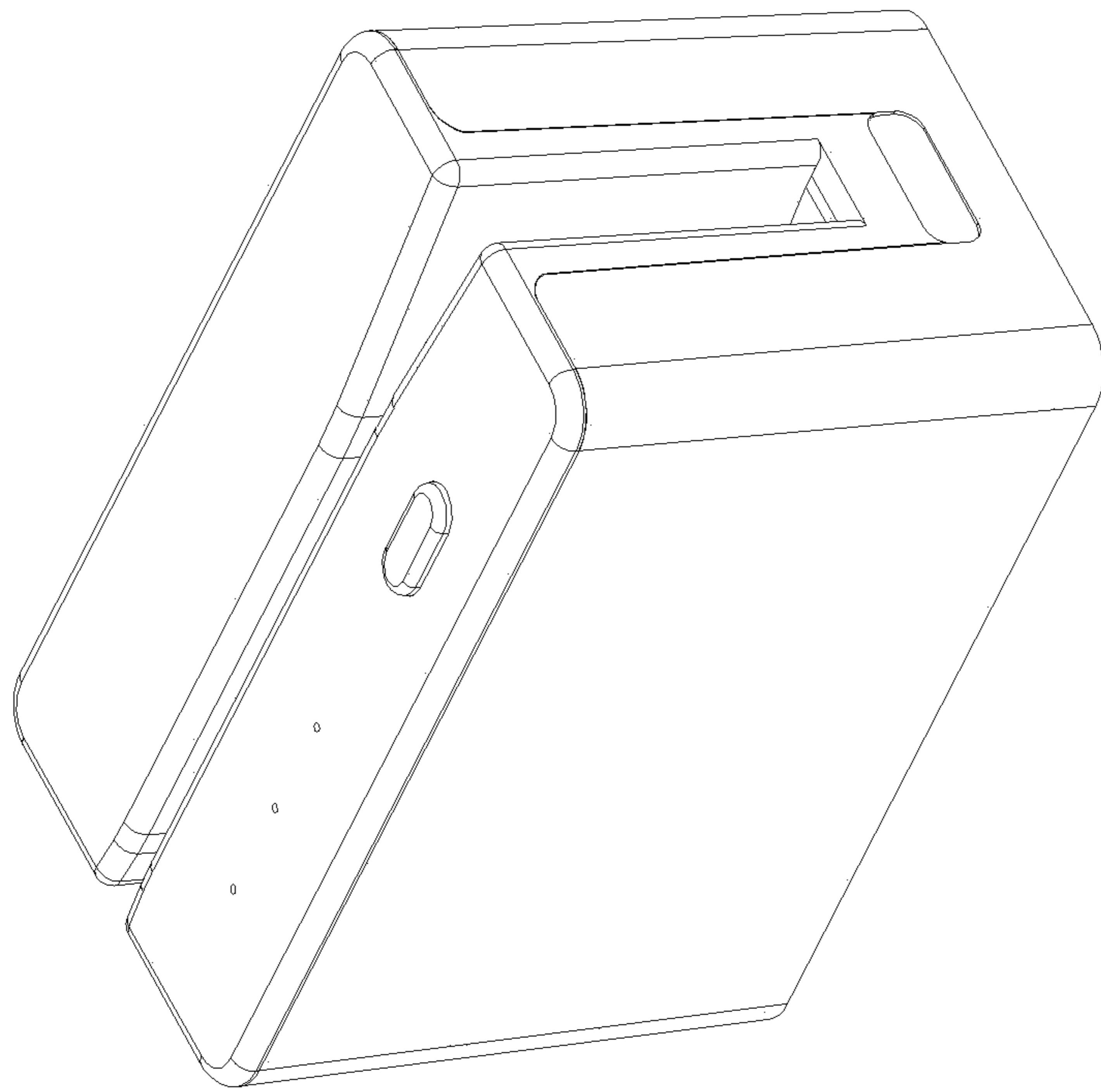


Fig. 15