



US00D857015S

(12) **United States Design Patent** (10) **Patent No.:** **US D857,015 S**
O'Driscoll et al. (45) **Date of Patent:** **** Aug. 20, 2019**

(54) **ELECTRONIC DISPLAY DEVICE**
(71) Applicant: **vStream Digital Media, Ltd.**, Dublin (IE)
(72) Inventors: **Niall O'Driscoll**, Dublin (IE); **Andrew Jenkinson**, Co.Dublin (IE); **John O'Gorman**, East Sussex (GB); **Andrew Howley**, Dublin (IE)
(73) Assignee: **vStream Digital Media, Ltd.**, Dublin (IE)

2,023,260 A * 12/1935 Beers A47F 3/12
312/114
2,167,525 A * 7/1939 Rosendale E04H 1/14
220/668
2,546,564 A * 3/1951 Roselyn A47F 3/12
312/140

(Continued)

FOREIGN PATENT DOCUMENTS

GB 2467370 A * 8/2010 G06F 1/1626

OTHER PUBLICATIONS

Specimen Display Case Square—RH.com—Dec. 17, 2015 <https://www.restorationhardware.com/catalog/product/product.jsp?productId=prod2461571> retrieved from the internet on Sep. 20, 2018.*

(Continued)

Primary Examiner — Mary Ann Calabrese
(74) *Attorney, Agent, or Firm* — Crowell & Moring LLP

(**) Term: **15 Years**
(21) Appl. No.: **29/550,300**
(22) Filed: **Dec. 31, 2015**
(51) **LOC (12) Cl.** **14-02**
(52) **U.S. Cl.**
USPC **D14/371**
(58) **Field of Classification Search**
USPC D20/10, 15, 17, 19, 21, 38, 39, 41, 42,
D20/99; D6/300, 659, 672;
D14/125–127, 341, 371; D10/113.4;
D13/180; D26/104, 118; D30/101
CPC ... G09F 7/00; G09F 11/00; G09F 9/00; G09F
9/30; G09F 9/302; G09F 9/3023; G09F
9/3026; G09F 9/33; G09F 13/00; G09F
13/04; G09F 15/0006; G09F 15/0012;
G09F 15/0068; G09F 15/0075; A47G
1/06; A47G 2001/145; A47G 2001/147;
A47G 2001/148; A47F 3/00; A47F 3/005;
A47F 3/12; E04B 1/19; E04B 1/34315;
E04B 1/34321; F21S 8/00; F21S 8/88;
G06F 3/1446; G06F 3/147
See application file for complete search history.

(57) **CLAIM**

The ornamental design for an electronic display device, as shown and described.

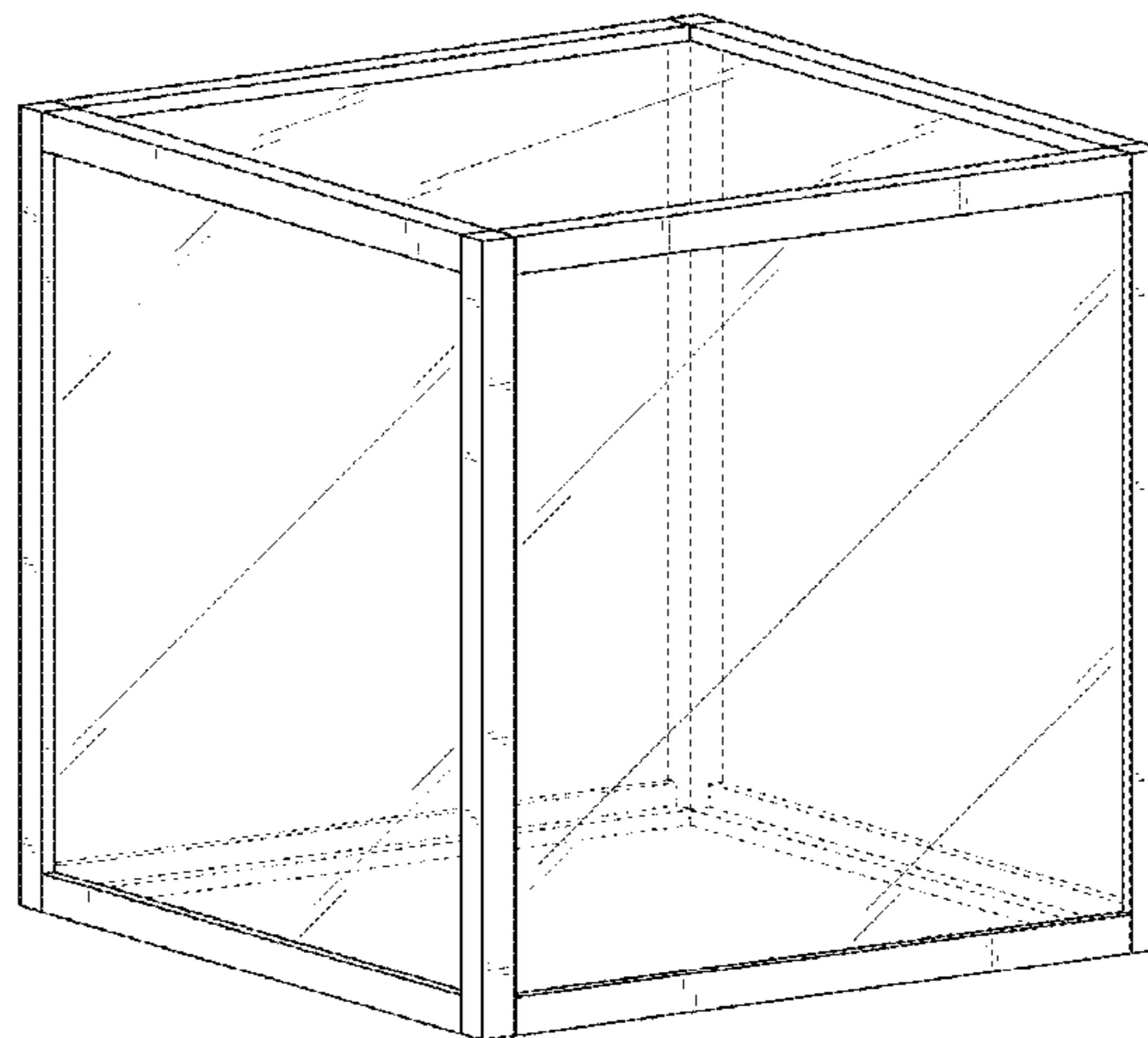
DESCRIPTION

FIG. 1 is a top, front, left side perspective view of an electronic display device showing our new design; FIG. 2 is a front view thereof, the rear view thereof being identical; FIG. 3 is a top view thereof; and, FIG. 4 is a left side view thereof, the right side view thereof being identical.
The broken lines illustrate environmental structure and form no part of the claimed design. The diagonal shade lines illustrate transparency and not surface ornamentation. The horizontal shade lines illustrate contour and not surface ornamentation.

(56) **References Cited**
U.S. PATENT DOCUMENTS

D31,832 S * 11/1899 Marcus D20/40
1,020,557 A * 3/1912 Hunter A47F 3/005
312/107

1 Claim, 3 Drawing Sheets



(56)

References Cited

U.S. PATENT DOCUMENTS

3,235,118 A * 2/1966 Kewley A45C 5/04
217/12 R
3,477,182 A * 11/1969 Fulton A47F 3/12
217/69
D221,585 S * 8/1971 Moore D20/10
3,716,936 A * 2/1973 Miller A47G 1/14
40/720
D226,797 S * 5/1973 Schneider D11/157
D229,458 S * 12/1973 Schneider D11/157
3,829,999 A * 8/1974 Bernstein G09F 15/0068
40/605
3,955,702 A * 5/1976 Lundy F21S 8/088
220/4.28
4,292,352 A * 9/1981 Singer A47G 1/06
156/60
4,318,237 A * 3/1982 Hicks G09F 13/04
40/502
4,553,680 A * 11/1985 Griggs A47F 3/005
220/4.33
4,854,060 A * 8/1989 Corbo A47G 1/141
40/539
4,884,353 A * 12/1989 Taylor G09F 7/08
40/611.01
D312,664 S * 12/1990 Kaut D20/10
5,066,161 A * 11/1991 Pinney A47B 47/0008
403/172
D328,503 S * 8/1992 Masahara D26/104
6,449,888 B1 * 9/2002 Gibbs G09F 7/00
40/492
6,505,858 B1 * 1/2003 Kirchmeyer A47G 1/14
281/2
D490,616 S * 6/2004 Ljahnicky D6/329
6,792,709 B1 * 9/2004 Fine A47G 1/0616
40/720
6,843,025 B2 * 1/2005 Paz E04B 1/34315
312/111

D619,296 S * 7/2010 Thevenot A47F 3/005
D26/118
8,573,716 B2 * 11/2013 Zalewski A47B 47/0041
312/107
10,181,299 B1 * 1/2019 Miller G09G 3/36
2002/0136025 A1 * 9/2002 Zhang F21S 48/215
362/555
2010/0327185 A1 * 12/2010 Kindler G09F 9/30
250/462.1
2013/0180182 A1 * 7/2013 Yoo E04B 1/3483
52/6
2013/0346911 A1 * 12/2013 Sripada G06F 3/0488
715/782
2014/0239139 A1 * 8/2014 Opsomer G09F 9/33
248/329
2014/0285400 A1 * 9/2014 Sato G06F 3/1446
345/1.3
2015/0308095 A1 * 10/2015 O'Neal E04B 1/34315
52/653.2
2019/0053640 A1 * 2/2019 Min A47F 3/001

OTHER PUBLICATIONS

Samsung transparent Display Case at CES 2013—YouTube—Jan. 8, 2013 <https://www.youtube.com/watch?v=QR-z3Rd0dls> retrieved from the internet on Mar. 20, 2019.*
Samsung's 22" transparent display—LEDinside—Aug. 28, 2012 https://www.ledinside.com/products/2012/8/samsung_led_square_display_20120828 retrieved from the internet on Mar. 21, 2019.*
Transparent touchscreen wall—OLED Glass Might Just Change the World!—CBCI Telecom—Aug. 4, 2016 <http://www.cbccitecom.com/oled-glass-might-just-change-the-world/> retrieved from the internet on Mar. 20, 2019.*
OLED Display Block—engadget—Apr. 24, 2012 <https://www.engadget.com/2012/04/24/mit-media-lab-oled-display-blocks-hands-on/> retrieved from the internet on Mar. 21, 2019.*

* cited by examiner

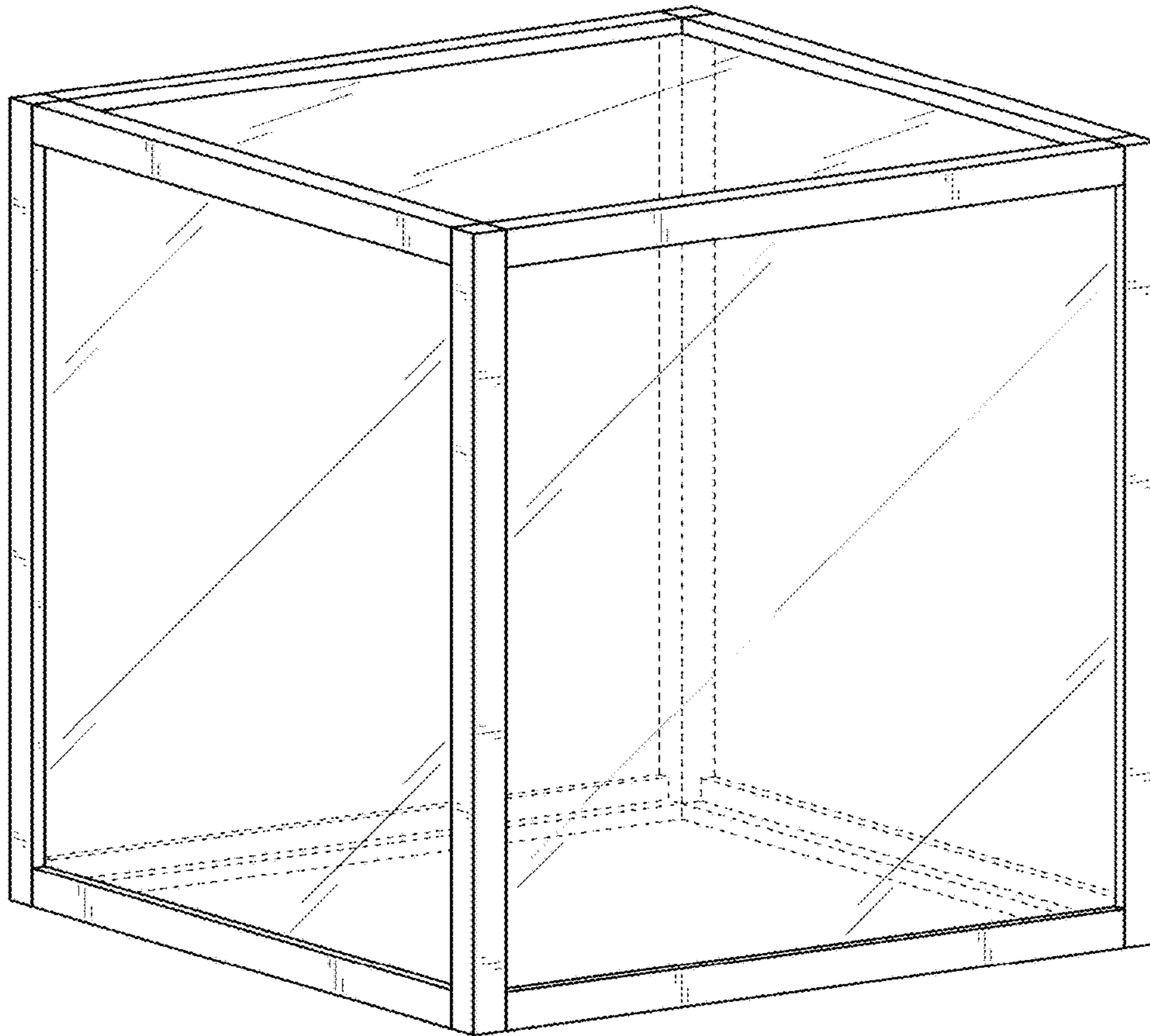


Fig. 1

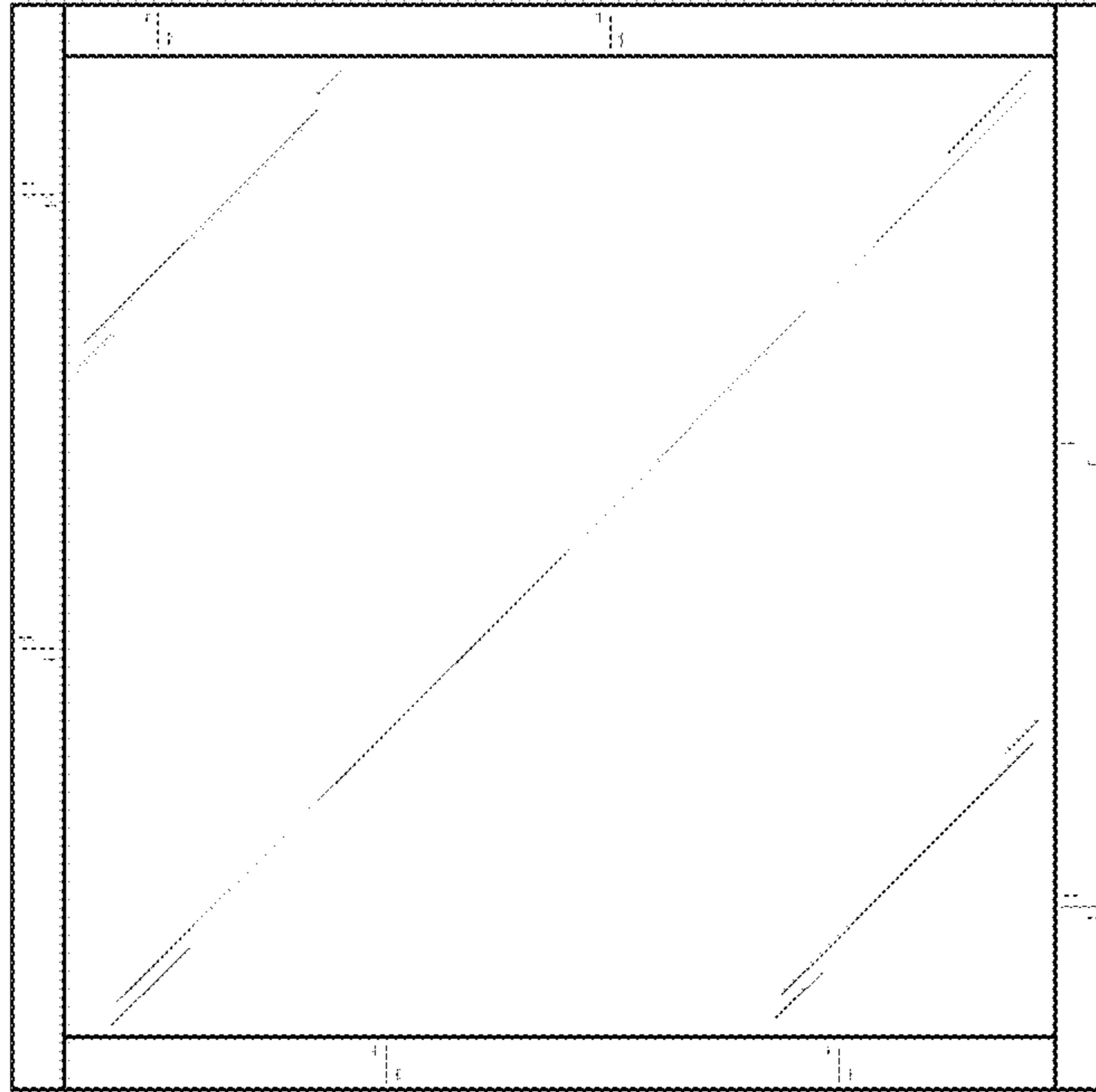


Fig. 2

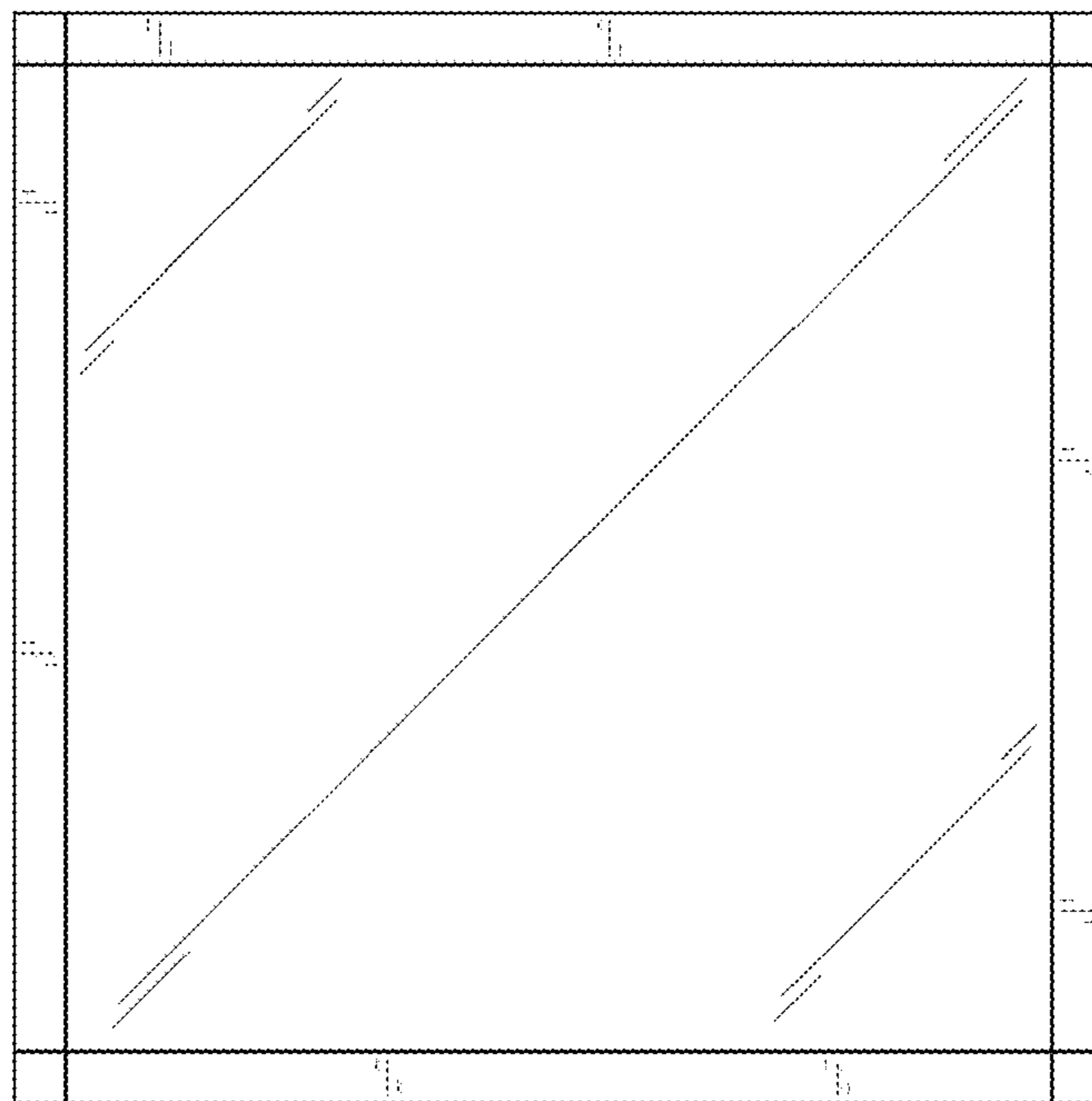


Fig. 3

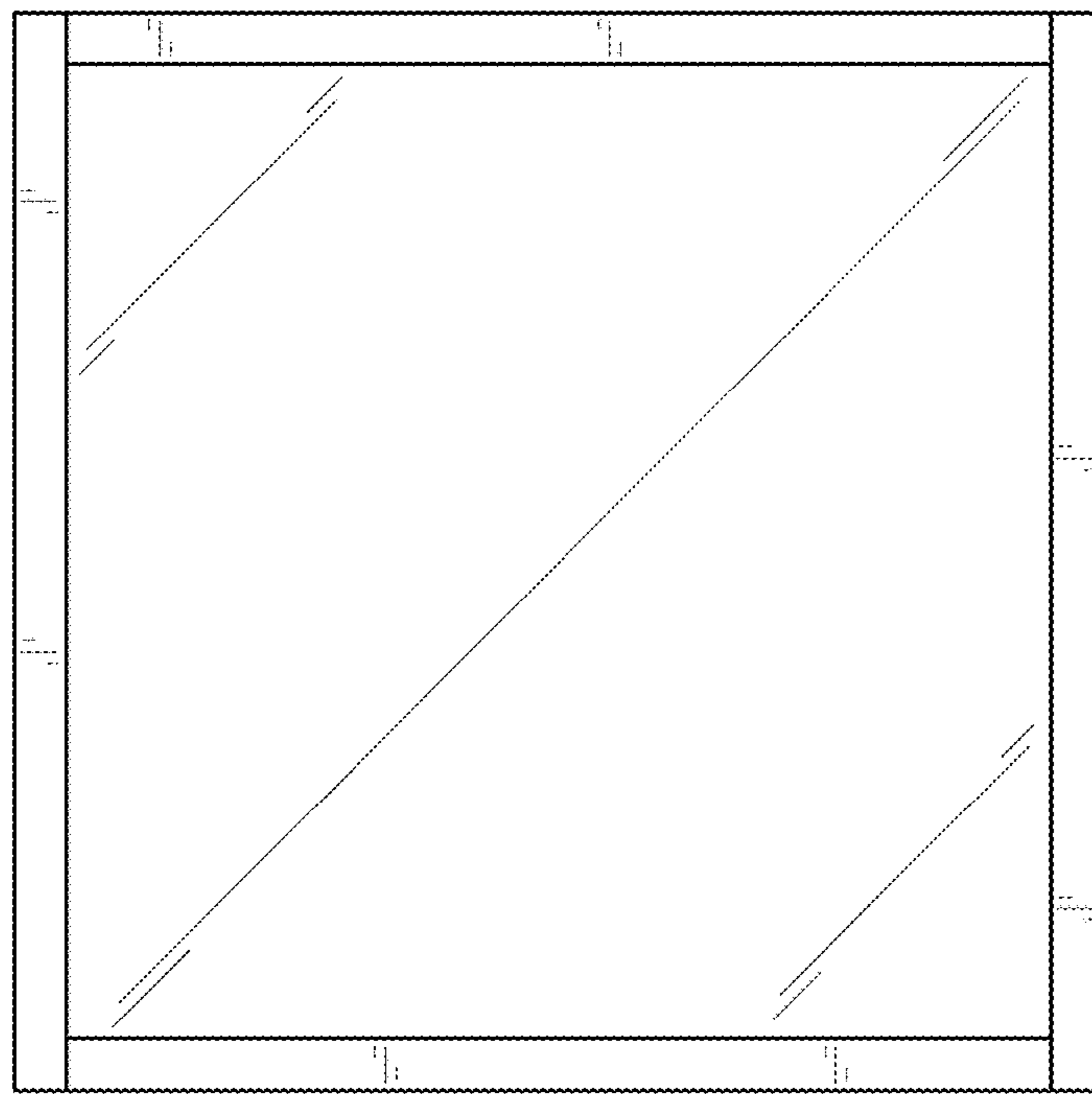


Fig. 4