



US00D857013S

(12) **United States Design Patent**
Dabrowska et al.

(10) **Patent No.:** **US D857,013 S**

(45) **Date of Patent:** **** Aug. 20, 2019**

(54) **WIRELESS BEACON**

(71) Applicant: **Estimote Polska Sp. z o. o.**, Cracow (PL)

(72) Inventors: **Olga Dabrowska**, Cracow (PL); **Jakub Krzych**, Cracow (PL)

(73) Assignee: **Estimote Polska Sp. z o. o.**, Cracow (PL)

(**) Term: **15 Years**

(21) Appl. No.: **29/611,673**

(22) Filed: **Jul. 24, 2017**

(51) **LOC (12) Cl.** **14-02**

(52) **U.S. Cl.**
USPC **D14/358**

(58) **Field of Classification Search**
USPC D14/433, 358, 356, 480.7; D13/158
See application file for complete search history.

(56) **References Cited**

U.S. PATENT DOCUMENTS

D669,904 S	*	10/2012	Ni	D14/480.7
D692,390 S	*	10/2013	Smith	D13/133
D716,803 S	*	11/2014	Neumann	D14/358
D716,804 S	*	11/2014	Neumann	D14/356
D727,906 S	*	4/2015	Neumann	D14/358
D795,816 S	*	8/2017	He	D13/153

* cited by examiner

Primary Examiner — George D. Kirschbaum

(74) *Attorney, Agent, or Firm* — Jeffrey Schox; Diana Lin

(57) **CLAIM**

We claim the ornamental design for a wireless beacon, as shown and described.

DESCRIPTION

FIG. 1 is an isometric view, from the top left, of the wireless beacon.

FIG. 2 is an isometric view, from the bottom right, of the wireless beacon.

FIG. 3 is a plan view from the top of the wireless beacon.

FIG. 4 is a plan view from the bottom of the wireless beacon.

FIG. 5 is an elevation view from the front of the wireless beacon.

FIG. 6 is an elevation view from the back of the wireless beacon.

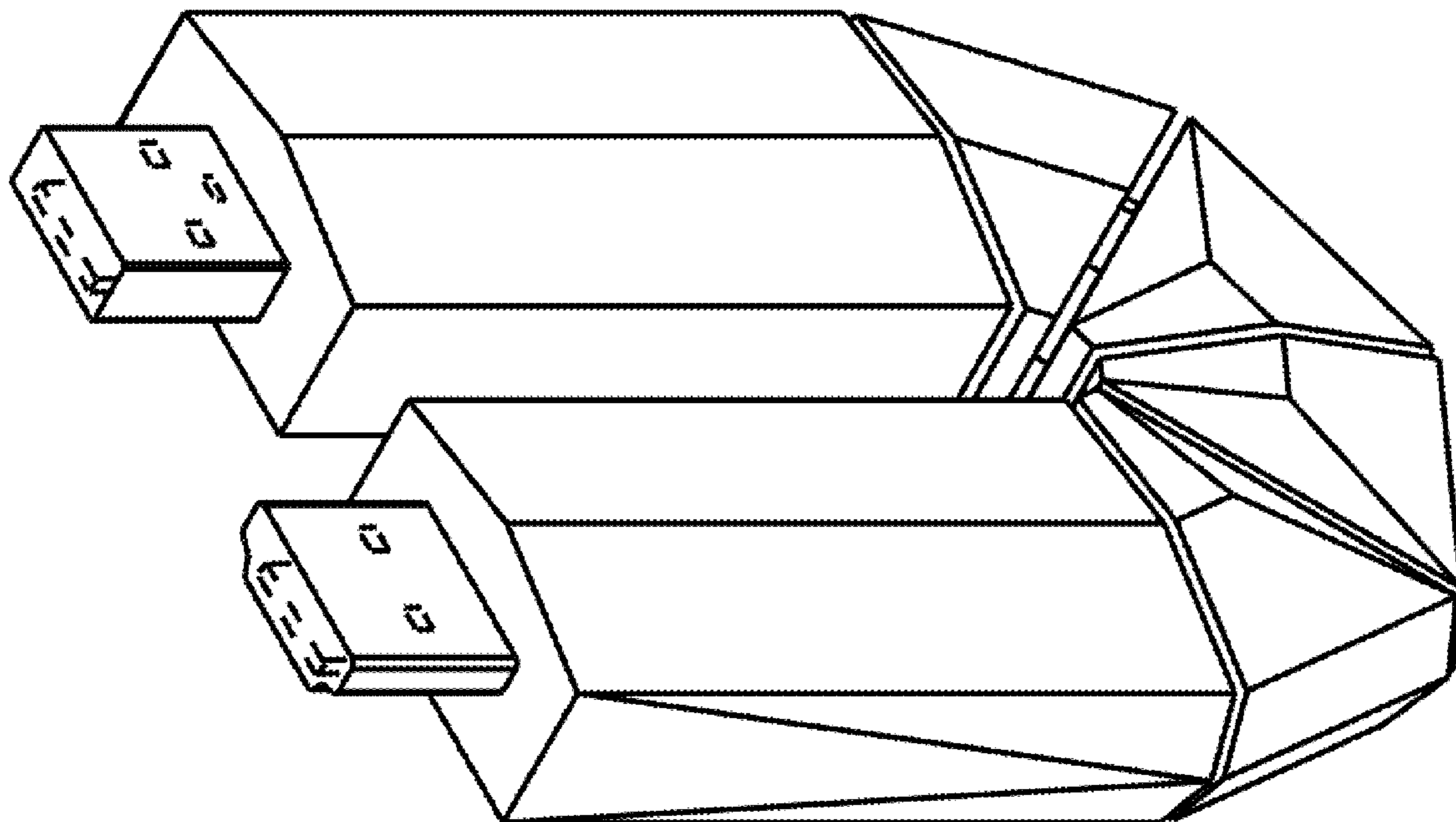
FIG. 7 is an elevation view from the left side of the wireless beacon.

FIG. 8 is an elevation view from the right side of the wireless beacon; and,

FIG. 9 is a plan view from the top of the wireless beacon in a stretched configuration.

The broken line showing of the internal elements of plugs and of hands is included for the purpose of illustrating portions of the “article” and forms no part of the claimed design.

1 Claim, 4 Drawing Sheets



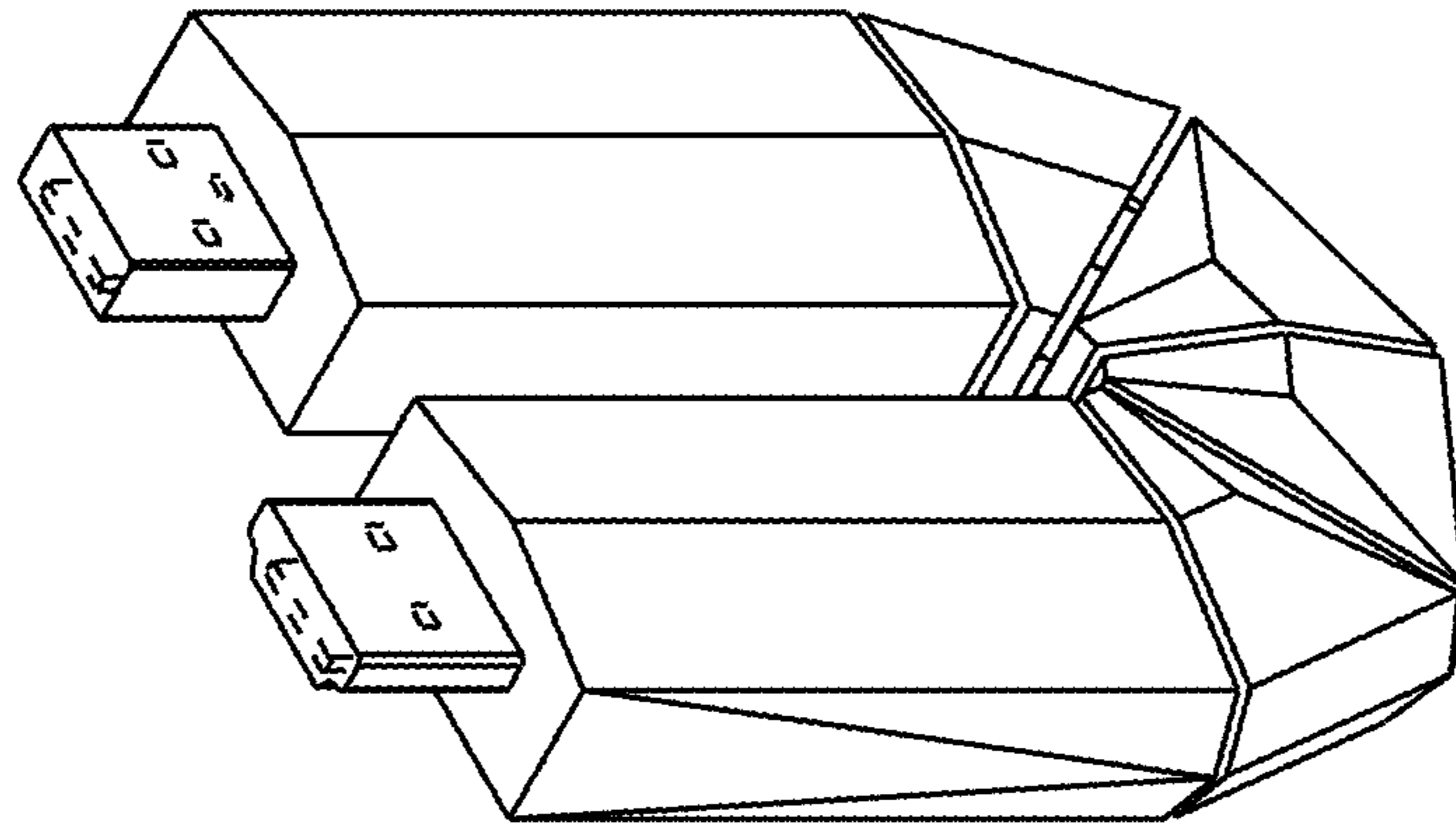


FIGURE 1

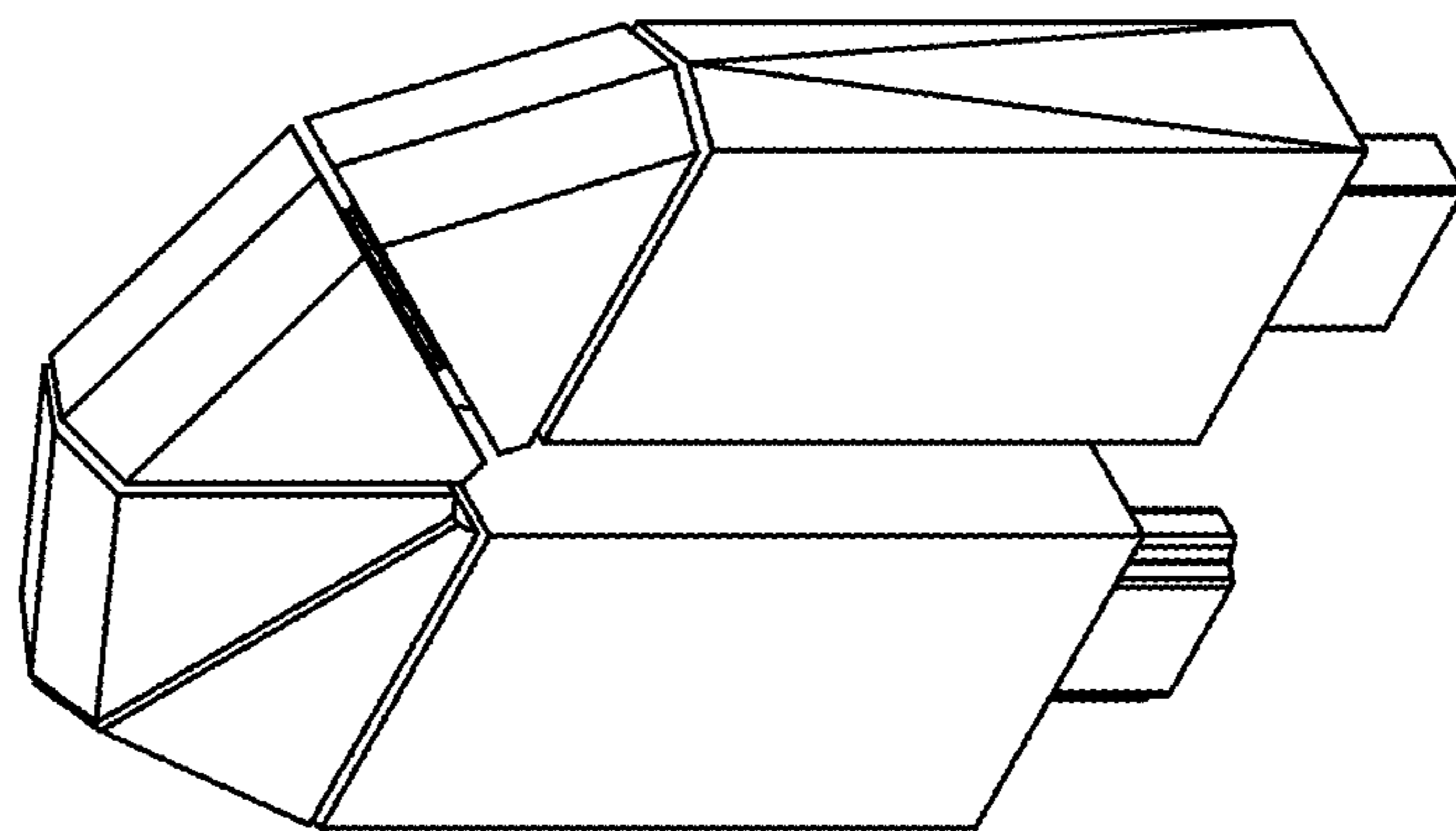


FIGURE 2

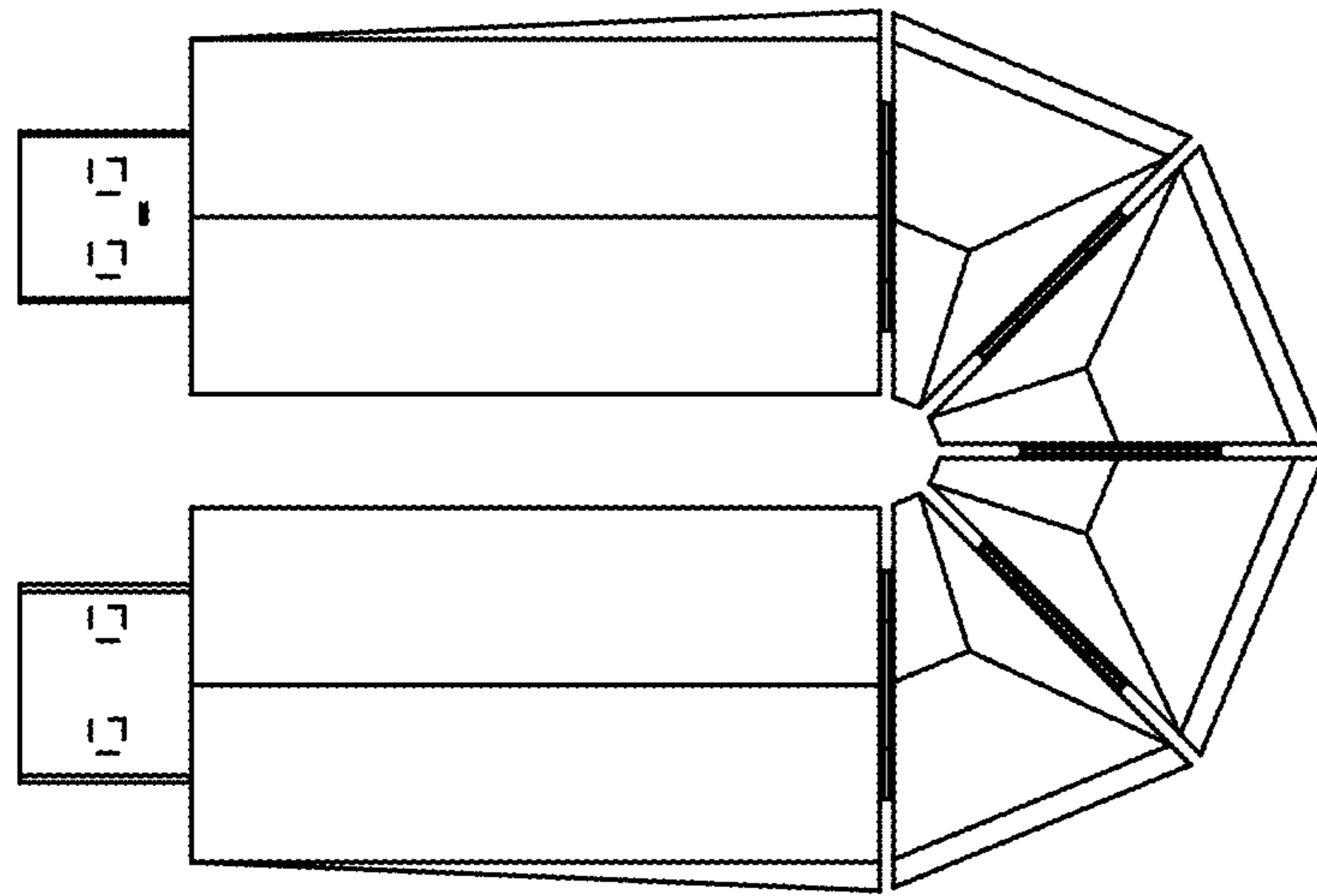


FIGURE 3

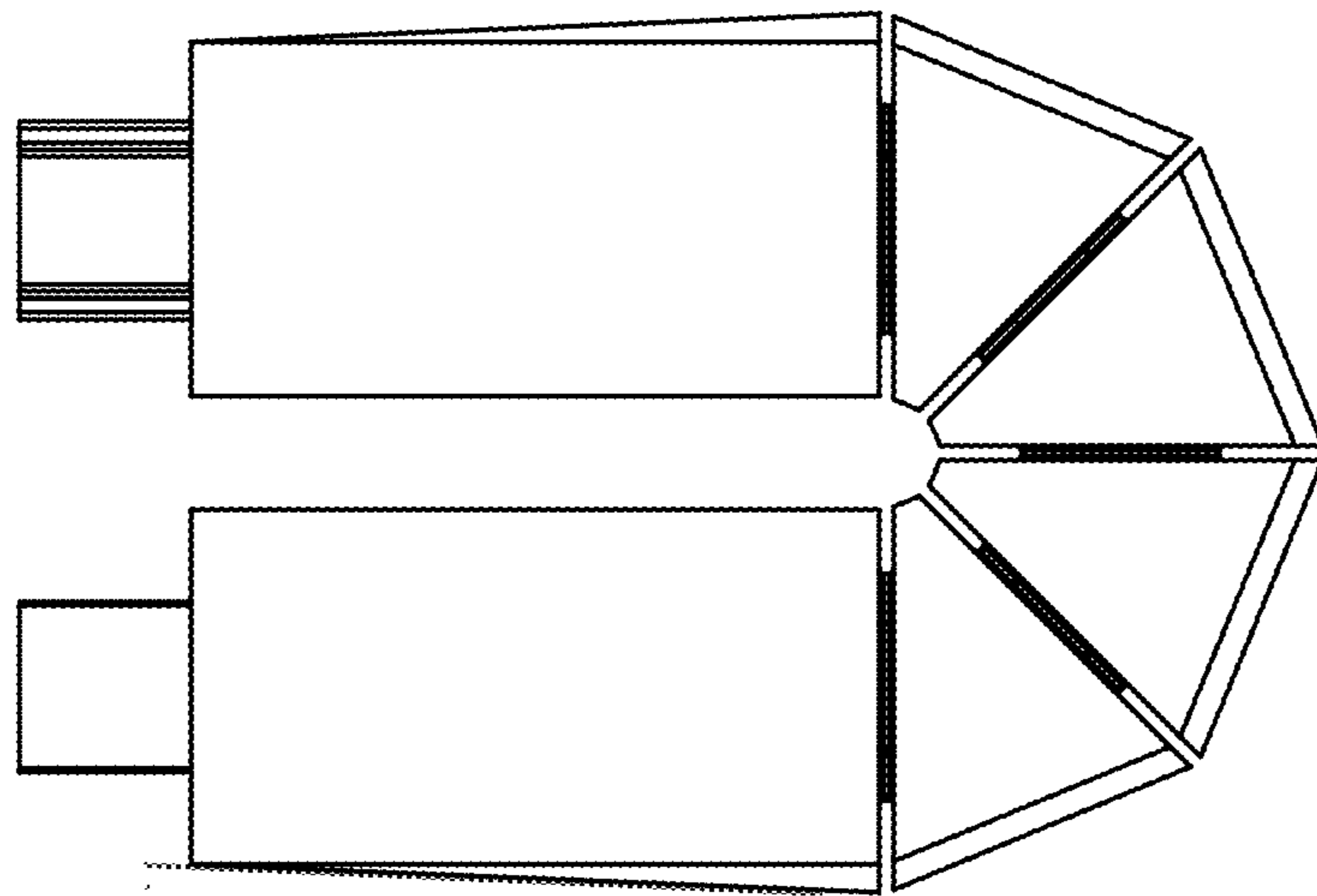


FIGURE 4

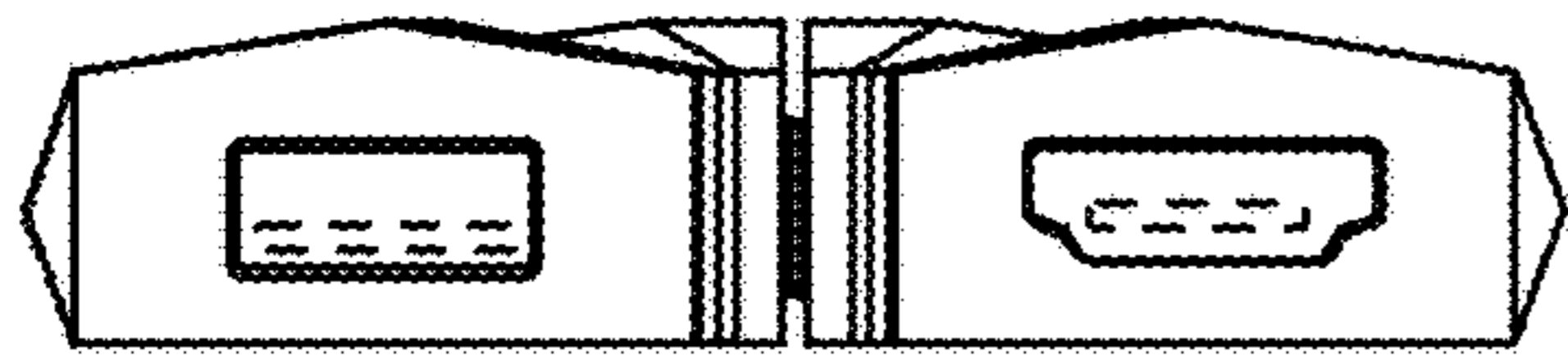


FIGURE 5

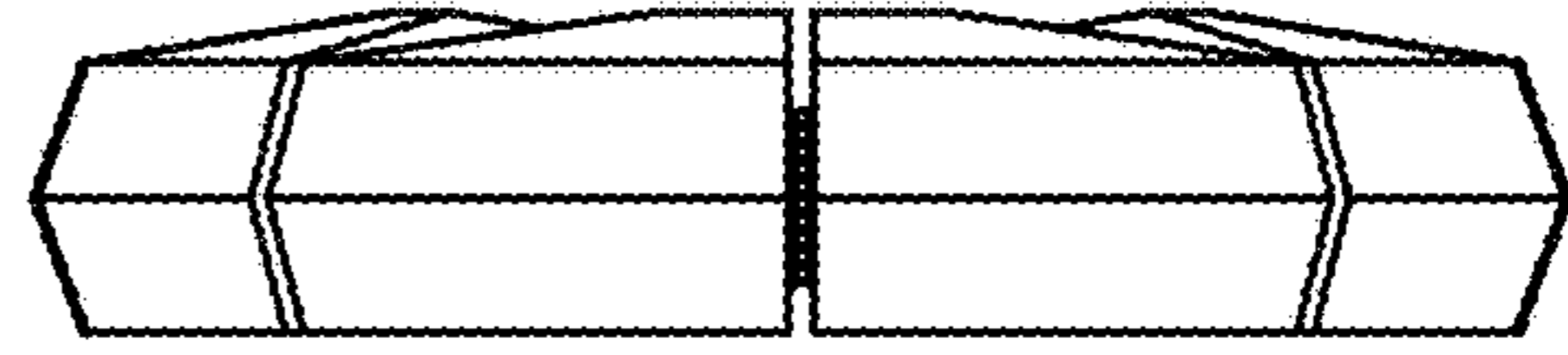


FIGURE 6

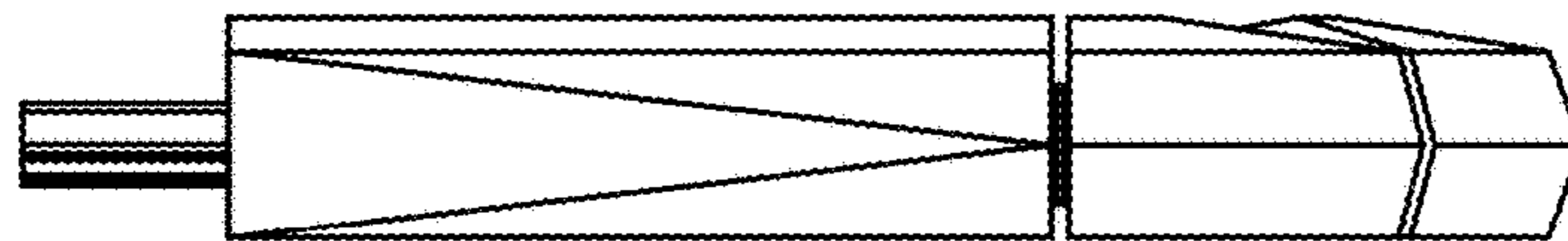


FIGURE 7

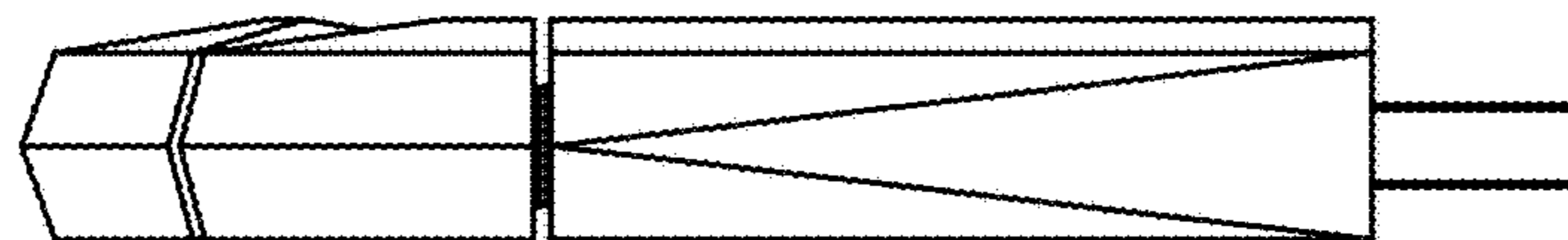


FIGURE 8

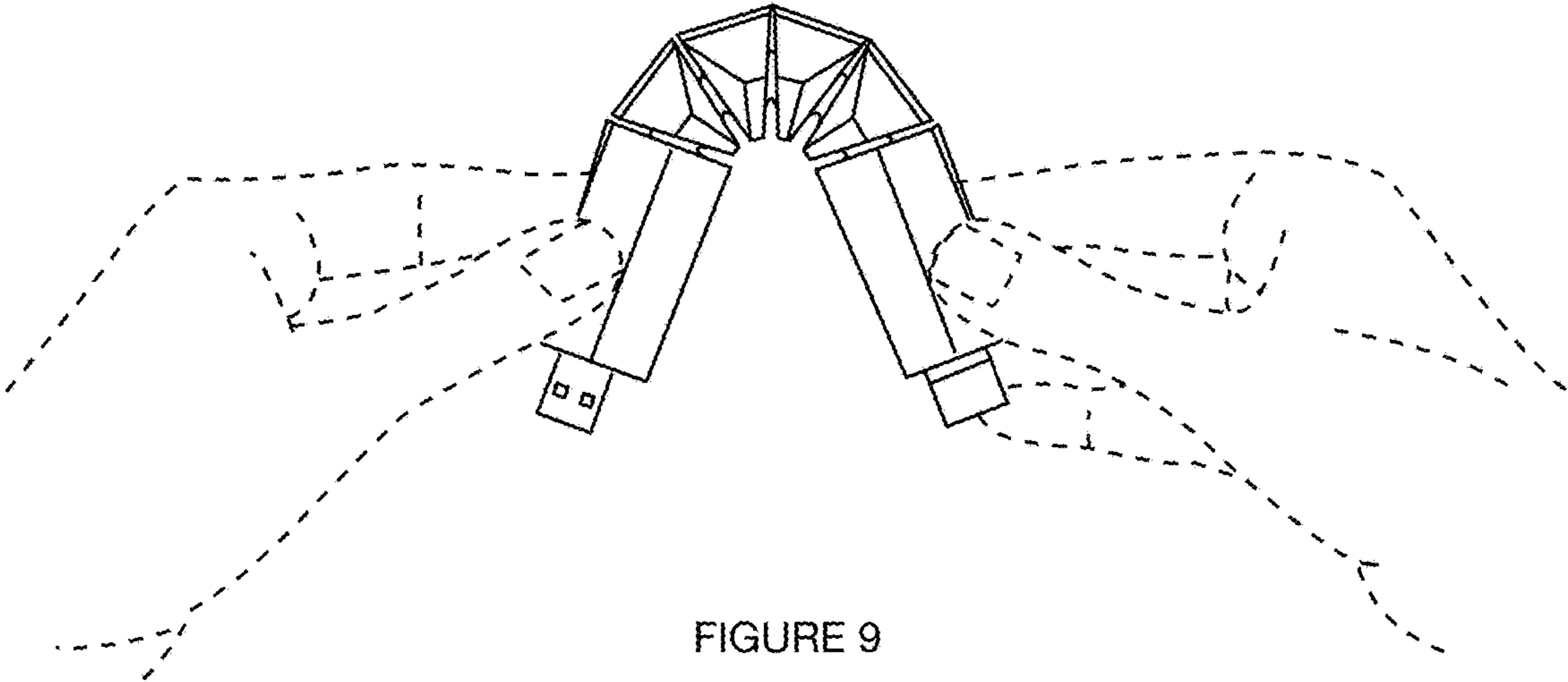


FIGURE 9

UNITED STATES PATENT AND TRADEMARK OFFICE
CERTIFICATE OF CORRECTION

PATENT NO. : D857,013 S
APPLICATION NO. : 29/611673
DATED : August 20, 2019
INVENTOR(S) : Olga Dabrowska et al.

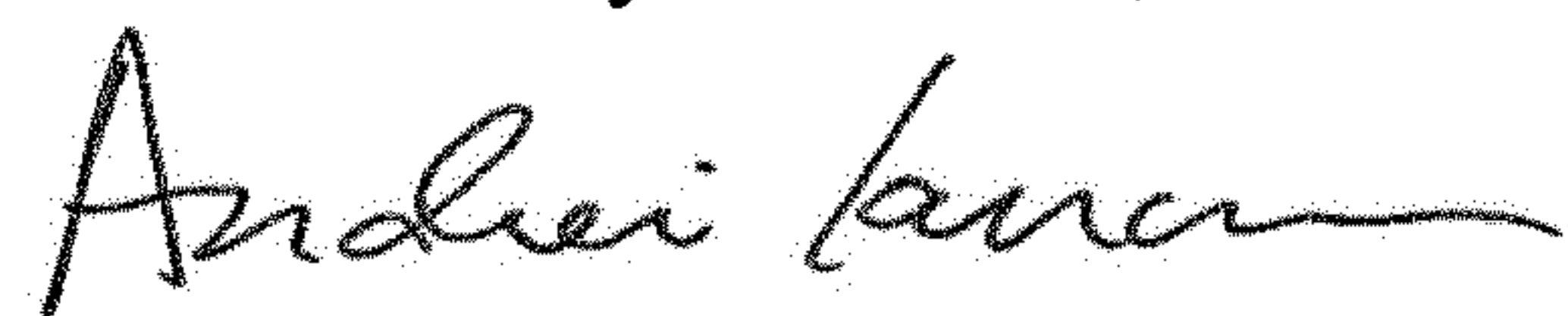
Page 1 of 1

It is certified that error appears in the above-identified patent and that said Letters Patent is hereby corrected as shown below:

On the Title Page

Column 2, (57) Claim, Line 1, delete "We claim the" and insert --The-- therefor

Signed and Sealed this
Third Day of March, 2020



Andrei Iancu
Director of the United States Patent and Trademark Office