



US00D857011S

(12) **United States Design Patent** (10) **Patent No.:** **US D857,011 S**
Kang et al. (45) **Date of Patent:** **** Aug. 20, 2019**

(54) **BAND CONNECTOR FOR A WATCH OR A SMART WATCH**

(56) **References Cited**

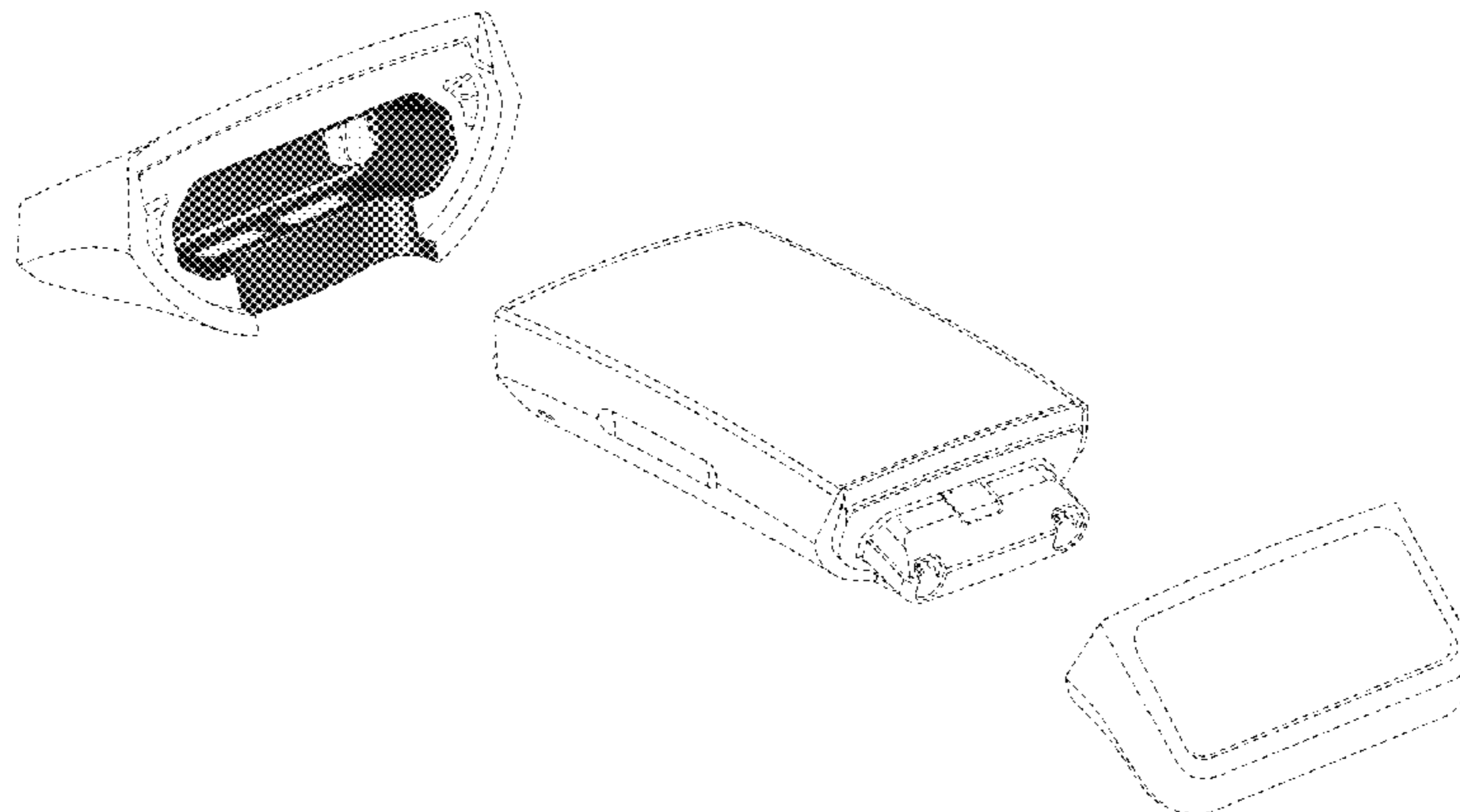
- (71) Applicant: **Fitbit, Inc.**, San Francisco, CA (US)
- (72) Inventors: **Yu Chuan Kang**, Taipei (TW); **Derek Jenchia Loh**, San Carlos, CA (US); **Benjamin Patrick Robert Jean Riot**, San Francisco, CA (US); **Jeffrey Andrew Fisher**, Mountain View, CA (US); **Patrick James Markan**, San Francisco, CA (US); **Stephen Ronald Smilovitz**, Belmont, CA (US)
- (73) Assignee: **Fitbit, Inc.**, San Francisco, CA (US)
- (**) Term: **15 Years**
- (21) Appl. No.: **29/676,187**
- (22) Filed: **Jan. 9, 2019**

U.S. PATENT DOCUMENTS

1,709,179 A	4/1929	Lederer	
D383,073 S	9/1997	Miller	
6,738,317 B2	5/2004	Nussbaum	
D536,265 S	2/2007	Reynoso	
D548,129 S	8/2007	Fineide	
D589,375 S	3/2009	Tang	
7,575,368 B2	8/2009	Guillaume	
D621,808 S	8/2010	Kim	
D643,428 S *	8/2011	Janky	D14/240
D645,360 S	9/2011	Kiser et al.	
D667,126 S	9/2012	Cho et al.	
8,275,327 B2	9/2012	Yi et al.	
D717,956 S *	11/2014	Alexander	D24/167
D721,701 S	1/2015	Al-Nasser	
D724,468 S *	3/2015	Tan	D11/3
D724,469 S	3/2015	Akana et al.	
D728,562 S	5/2015	Park et al.	
D728,624 S	5/2015	Akana et al.	
D730,210 S	5/2015	Song	
D731,482 S	6/2015	Song	
D732,022 S	6/2015	Song	
D733,706 S	7/2015	Song	
D735,191 S	7/2015	Song	
D737,158 S	8/2015	Akana et al.	
D737,159 S	8/2015	Akana et al.	
D738,372 S	9/2015	Song	
D740,693 S	10/2015	Carmichael	
9,189,023 B2 *	11/2015	Lim	G06F 1/163
D747,313 S	1/2016	Song	
D750,625 S	3/2016	Solomon et al.	
D751,431 S *	3/2016	Browning	D10/74
D752,583 S	3/2016	Solomon et al.	
D755,178 S	5/2016	Solomon et al.	
D759,622 S	6/2016	Dahlberg	
D759,826 S	6/2016	Martinez et al.	
D763,719 S	8/2016	Nielsen et al.	
D764,340 S	8/2016	Akana et al.	
D764,341 S	8/2016	Akana et al.	
D766,770 S	9/2016	Devaney et al.	
D771,035 S	11/2016	Akana et al.	
D777,590 S	1/2017	Nielsen et al.	
D784,325 S	4/2017	Kim et al.	
D786,706 S	5/2017	Connor et al.	
D789,822 S	6/2017	Akana et al.	
D790,374 S	6/2017	Lean et al.	
D790,994 S	7/2017	Nielsen et al.	
D791,634 S *	7/2017	Bang	D11/3
D795,719 S	8/2017	Lean et al.	
9,743,695 B2	8/2017	Yoo	

Related U.S. Application Data

- (63) Continuation of application No. 29/645,397, filed on Apr. 25, 2018.
- (51) **LOC (12) Cl.** **14-02**
- (52) **U.S. Cl.**
USPC **D14/344**; D24/186
- (58) **Field of Classification Search**
USPC D14/138 r, 144, 341, 344, 358, 388, 218; D10/30-39, 70, 98; D11/3, 4, 26, 93-94, D11/78.1, 79, 86; D24/167, 169, D24/186-187, 164
CPC A41D 1/002; A41D 19/0034; G06F 1/04; G06F 1/08; G06F 1/10; G06F 1/14; G06F 1/1626; G06F 1/1628; G06F 1/163; G06F 1/1635; G06F 1/3203; G06Q 20/10; G06Q 20/12; G06Q 20/108; G06Q 20/145; H04B 1/3833; H04B 1/385; H04B 1/3888; H04M 1/02; H04M 1/03; H04M 1/04; H04M 1/05; H04M 1/667; H04M 1/6058; Y02B 60/1217
See application file for complete search history.



US D857,011 S

Page 2

D799,361 S	*	10/2017	Monachon	D11/3
D800,593 S	*	10/2017	Ling	D10/128
D805,413 S		12/2017	Chen et al.		
D805,418 S	*	12/2017	Lowe	D11/3
D805,513 S		12/2017	Akana et al.		
D806,589 S		1/2018	Le Bihan et al.		
D808,962 S		1/2018	Wu		
D809,144 S		1/2018	Wu		
D809,414 S		2/2018	Komulainen		
D809,509 S		2/2018	Bosveld et al.		
D811,904 S		3/2018	White et al.		
D812,497 S		3/2018	Kogen		
D813,695 S		3/2018	Nielsen et al.		
D814,643 S		4/2018	Mockler et al.		
D816,668 S		5/2018	Wu		
D817,784 S		5/2018	Swenson et al.		
D821,247 S	*	6/2018	Lean	D11/3
D822,526 S		7/2018	Lean et al.		
D826,745 S	*	8/2018	Liu	D10/70
D826,763 S		8/2018	Chuang		
D828,352 S		9/2018	Akana et al.		
D829,123 S		9/2018	Nielsen et al.		
D829,713 S		10/2018	Komulainen		
D831,644 S		10/2018	Wu		
D831,645 S		10/2018	Wu		
D833,412 S		11/2018	Guan et al.		
D833,625 S		11/2018	Guan et al.		
10,136,543 B1		11/2018	Nadkarni et al.		
D835,533 S		12/2018	Zheng		
D838,194 S		1/2019	Mays		
10,168,736 B2		1/2019	Lee et al.		
D840,042 S		2/2019	Yan		
D841,171 S		2/2019	Li et al.		
2014/0107493 A1		4/2014	Yuen et al.		
2014/0218852 A1*		8/2014	Alcazar	G06F 1/163 361/679.03
2014/0275854 A1		9/2014	Venkatraman et al.		
2014/0316305 A1		10/2014	Venkatraman et al.		
2015/0186609 A1		7/2015	Utter, II		
2016/0072554 A1*		3/2016	Sharma	H04B 5/0031 455/41.1
2016/0220865 A1		8/2016	Seo		
2016/0223992 A1		8/2016	Seo et al.		
2016/0255944 A1		9/2016	Baranski et al.		
2016/0374569 A1		12/2016	Breslow et al.		
2017/0065224 A1		3/2017	Rahko et al.		
2017/0086692 A1		3/2017	Freschl et al.		
2017/0172499 A1		6/2017	Yoo		

FOREIGN PATENT DOCUMENTS

CN	104257043	A	1/2015
CN	104665130	A	6/2015
CN	204467157	U	7/2015
CN	206101834	U	4/2017
CN	206866760	U	1/2018
CN	207341307	U	5/2018
CN	207341311	U	5/2018

OTHER PUBLICATIONS

Fintie for Gear S2 Watch Band, posted as early as Feb. 6, 2018, [retrieved Feb. 25, 2019]. Retrieved from Internet, <URL: https://www.amazon.com/dp/B0731CQ7LM/ref=psdc_11591904011_t2_B01MR4XXKJ>.*

U.S. Appl. No. 29/572,967, filed Aug. 1, 2016, applicant Fitbit, Inc.

U.S. Appl. No. 29/593,260, filed Feb. 7, 2017, applicant Fitbit, Inc.

U.S. Appl. No. 29/593,261, filed Feb. 7, 2017, applicant Fitbit, Inc.

U.S. Appl. No. 29/596,216, filed Mar. 6, 2017, applicant Fitbit, Inc.

U.S. Appl. No. 29/602,541, filed May 1, 2017, applicant Fitbit, Inc.

U.S. Appl. No. 29/625,052, filed Nov. 7, 2017, applicant Fitbit, Inc.

U.S. Appl. No. 29/520,607, filed Mar. 16, 2015, applicant Fitbit, Inc.

U.S. Appl. No. 29/524,027, filed Apr. 15, 2015, applicant Fitbit, Inc.

U.S. Appl. No. 29/541,368, filed Oct. 2, 2015, applicant Fitbit, Inc.

U.S. Appl. No. 29/568,588, filed Jun. 20, 2016, applicant Fitbit, Inc.

U.S. Appl. No. 29/621,239, filed Oct. 5, 2017, applicant Fitbit, Inc.

U.S. Appl. No. 29/614,464, filed Aug. 18, 2017, applicant Fitbit, Inc.

U.S. Appl. No. 29/548,501, filed Dec. 14, 2015, applicant Fitbit, Inc.

U.S. Appl. No. 29/564,199, filed May 11, 2016, applicant Fitbit, Inc.

U.S. Appl. No. 29/614,479, filed Aug. 18, 2017, applicant Fitbit, Inc.

U.S. Appl. No. 29/522,853, filed Apr. 2, 2015, applicant Fitbit, Inc.

U.S. Appl. No. 29/522,858, filed Apr. 2, 2015, applicant Fitbit, Inc.

U.S. Appl. No. 29/540,741, filed Sep. 28, 2015, applicant Fitbit, Inc. ACBEE Replacement watch band with buckle for Fitbit ALTA for sale at www.amazon.com, Website accessed Nov. 7, 2018.

PERFIT rubber watch band with double prong buckle and spring bars for sale at www.amazon.com. Website accessed Nov. 7, 2018.

Waterproof diving silicone rubber strap with clasp for sale at www.aliexpress.com (Alibaba Group). Website accessed Feb. 7, 2018.

Damusy Fitness Tracker Smart Band for sale at www.activityandfitness trackers.com. Website accessed Nov. 10, 2018.

VOLEMER F09HR Smart Band Fitness Tracker for sale at www.epaky.com. Website accessed Nov. 10, 2018.

“First Look: Fitbit announces new Fitbit Alta activity tracker”, published Feb. 3, 2016 on DC Rainmaker (www.dcrainmaker.com). Website accessed Nov. 10, 2018.

Fitbit Alta—for sale by Fitbit (<https://www.fitbit.com/alta>). Website accessed Mar. 27, 2017.

Fitbit Alta replacement bands—for sale at www.amazon.com. Website accessed Jul. 17, 2017.

Fitbit Alta review published Mar. 25, 2016 on CNet (www.cnet.com). Website accessed Nov. 11, 2018.

Fitbit Charge 2 Heart Rate and Fitness Wristband for sale at www.amazon.co.uk. Website accessed Feb. 7, 2018.

Fitbit Flex Wireless Activity and Sleep Wristband for sale at www.amazon.com. Listed at least as early as Apr. 16, 2013.

Fitbit Ionic Accessory Band for sale at Nordstrom (<https://shop.nordstrom.com>). Website accessed Nov. 7, 2018.

Fitbit Alta HR Bands for sale at The Fitness Equipment Shop (www.thefitnessequipmentshop.com). Website accessed Nov. 17, 2018.

LUMINOX Replacement Rubber Watch Band Strap for sale at Walmart (www.walmart.com). Website accessed Nov. 7, 2018.

“MPOW DS-D6 Fitness Band Review” published Jan. 13, 2018 on ZeroAir (www.zeroair.wordpress.com). Website accessed Nov. 10, 2018.

“Fitbit Product Teardown” on Pinterest, pinned from www.ifixit.com. Website accessed Feb. 27, 2017.

Pro Elite Medicine Ball by Power Systems (www.power-systems.com). Website accessed Feb. 7, 2018.

Replacement metal watch band Connector for Fitbit Alta/Fitbit Alta HR for sale at Banggood (www.banggood.com). Website accessed Nov. 10, 2018.

Citrine by the Stones Sol Forearm Band for sale at Shopbop (www.shopbop.com). Website accessed Nov. 11, 2018.

Gorjana Mia Wrap Cuff for sale at Shopbop (www.shopbop.com). Website accessed Nov. 11, 2018.

Marc by Marc Jacobs Engraved Turlock Leather Bangle Bracelet for sale at Shopbop (www.shopbop.com). Website accessed Nov. 11, 2018.

Monserat de Lucca Measuring Tape Bracelet for sale at Shopbop (www.shopbop.com). Website accessed Nov. 11, 2018.

Suppa G-Shock Strap Adapters, online at least as early as Dec. 13, 2013. Accessed Feb. 7, 2017.

Suunto Core watchband on Instagram. Accessed Feb. 7, 2017.

iGK Fitbit Alta Bands—replacement sport strap bands for Fitbit Alta for sale at Walmart (www.walmart.com). Website accessed Nov. 7, 2018.

U.S. Appl. No. 29/635,224, filed Jan. 29, 2018, applicant Fitbit, Inc.

U.S. Appl. No. 29/663,373, filed Sep. 18, 2018, applicant Fitbit, Inc.

U.S. Appl. No. 29/663,375, filed Sep. 14, 2018, applicant Fitbit, Inc.

U.S. Appl. No. 29/664,592, filed Sep. 26, 2018, applicant Fitbit, Inc.

U.S. Appl. No. 29/645,397, filed Apr. 25, 2018, applicant Fitbit, Inc.

U.S. Appl. No. 29/664,595, filed Sep. 26, 2018, applicant Fitbit, Inc.

U.S. Appl. No. 29/664,615, filed Sep. 26, 2018, applicant Fitbit, Inc.

U.S. Appl. No. 29/664,606, filed Sep. 26, 2018, applicant Fitbit, Inc.

U.S. Appl. No. 29/664,612, filed Sep. 26, 2018, applicant Fitbit, Inc.
U.S. Appl. No. 29/664,626, filed Sep. 26, 2018, applicant Fitbit, Inc.

* cited by examiner

Primary Examiner — Barbara Fox
Assistant Examiner — Kristen E Reed
(74) *Attorney, Agent, or Firm* — Polson Intellectual
Property Law, PC; Margaret Polson

(57) **CLAIM**

The ornamental design for a band connector for a watch or a smart watch, as shown and described.

DESCRIPTION

This application is related to application Ser. No. 29/635,224 filed Jan. 29, 2018, which is incorporated entirely by reference herein for all purposes.

FIG. 1 is a top plan view of a band connector for a watch or a smart watch.

FIG. 2 is a bottom plan view of FIG. 1.

FIG. 3 is a right side elevation view of FIG. 1.

FIG. 4 is a left side elevation view of FIG. 1.

FIG. 5 is a front side elevation view of FIG. 1.

FIG. 6 is a back side elevation view of FIG. 1.

FIG. 7 is a close-up side elevation view of the attachment surface of FIG. 1.

FIG. 8 is an isometric view of FIG. 7.

FIG. 9 is a cross sectional view taken along line 9-9 of FIG. 7 directionally upward.

FIG. 10 is a cross sectional view taken along line 10-10 of FIG. 7 directionally downward.

FIG. 11 is a cross sectional view taken along line 11-11 of FIG. 7.

FIG. 12 is a top, right side isometric view of a pair of band connectors for a watch or a smart watch exploded off the body of a watch.

FIG. 13 is a right side elevation view of FIG. 12.

FIG. 14 is a left side elevation view of FIG. 12.

FIG. 15 front side elevation view of FIG. 12, with band connectors displaced sideways for visibility.

FIG. 16 is a back side elevation view of FIG. 15.

FIG. 17 is a top plan view of FIG. 15.

FIG. 18 is a bottom plan view of FIG. 15.

FIG. 19 is a bottom, left side isometric view of FIG. 15.

FIG. 20 is a front isometric view of one of the band connector of FIG. 12.

FIG. 21 is a front elevation view of FIG. 20.

FIG. 22 is a back side elevation view of FIG. 20.

FIG. 23 is a left side elevation view of FIG. 20.

FIG. 24 is a right side elevation view of FIG. 20.

FIG. 25 is a top plan view of FIG. 20.

FIG. 26 is a bottom plan view of FIG. 20.

FIG. 27 is a front bottom isometric view of FIG. 20.

FIG. 28 is a cross section taken along line 28-28 of FIG. 20 directionally upward.

FIG. 29 is a cross section taken along line 29-29 of FIG. 9 directionally downward; and,

FIG. 30 is a cross section taken along line 30-30 of FIG. 9. The features shown in broken lines in the drawing depict environmental subject matter only, and form no part of the claimed design. The dash dot dash lines represent unclaimed borders.

1 Claim, 30 Drawing Sheets

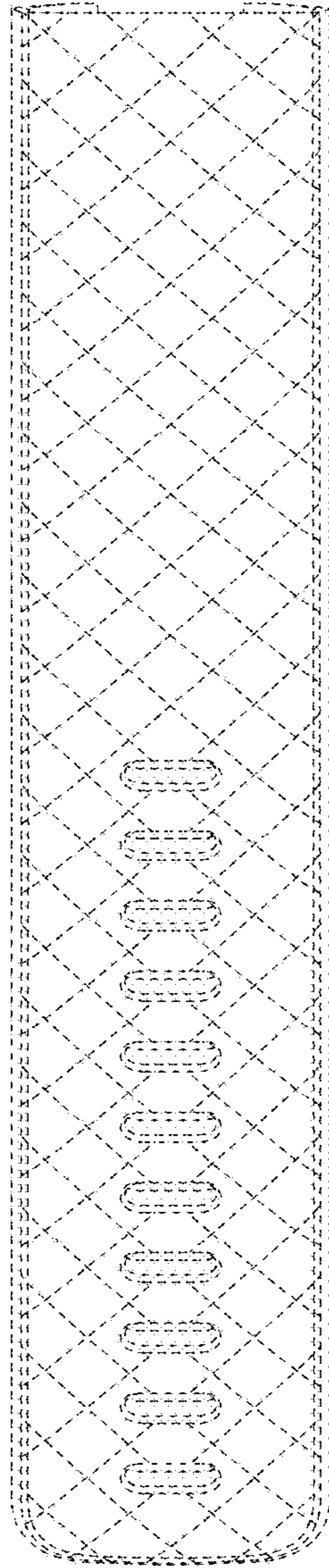


FIG. 1

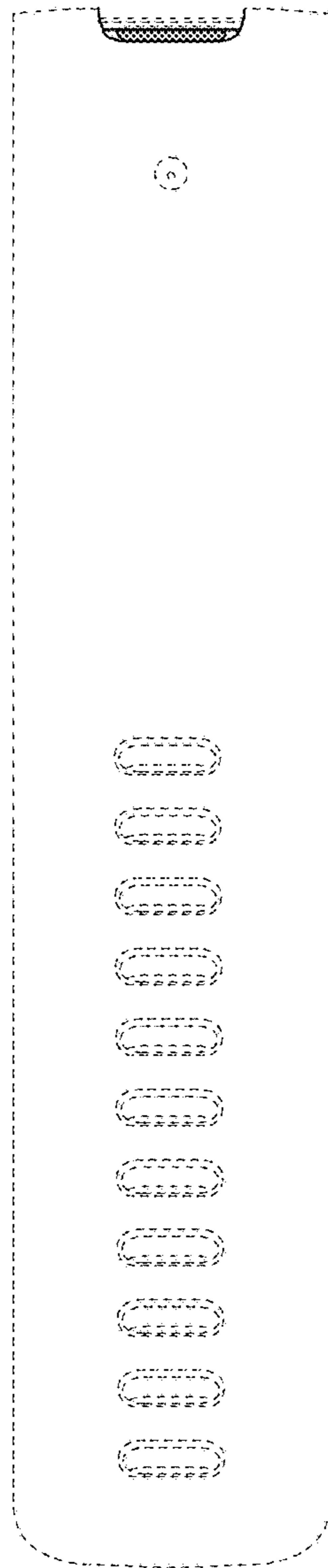


FIG. 2

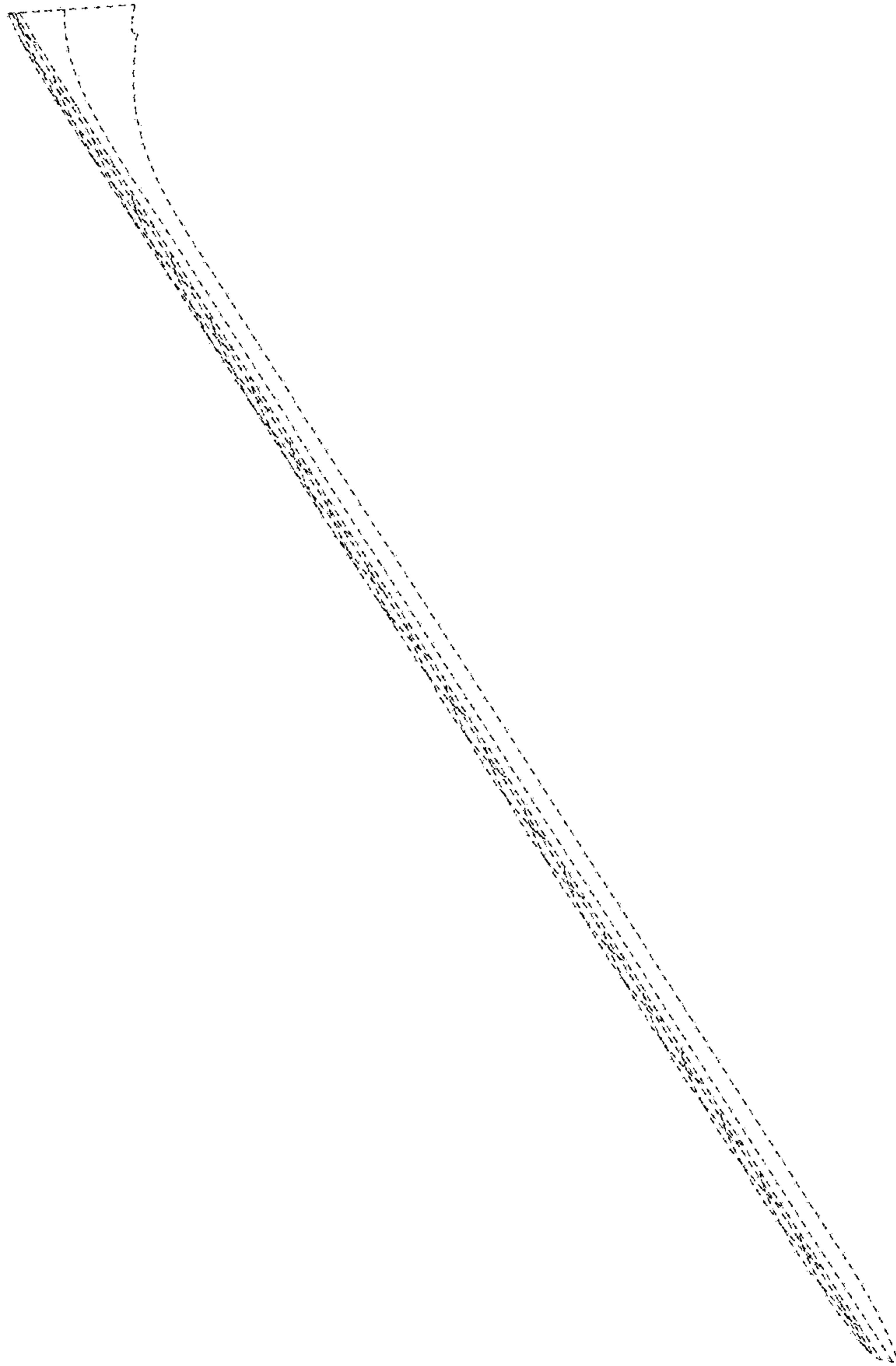


FIG. 3

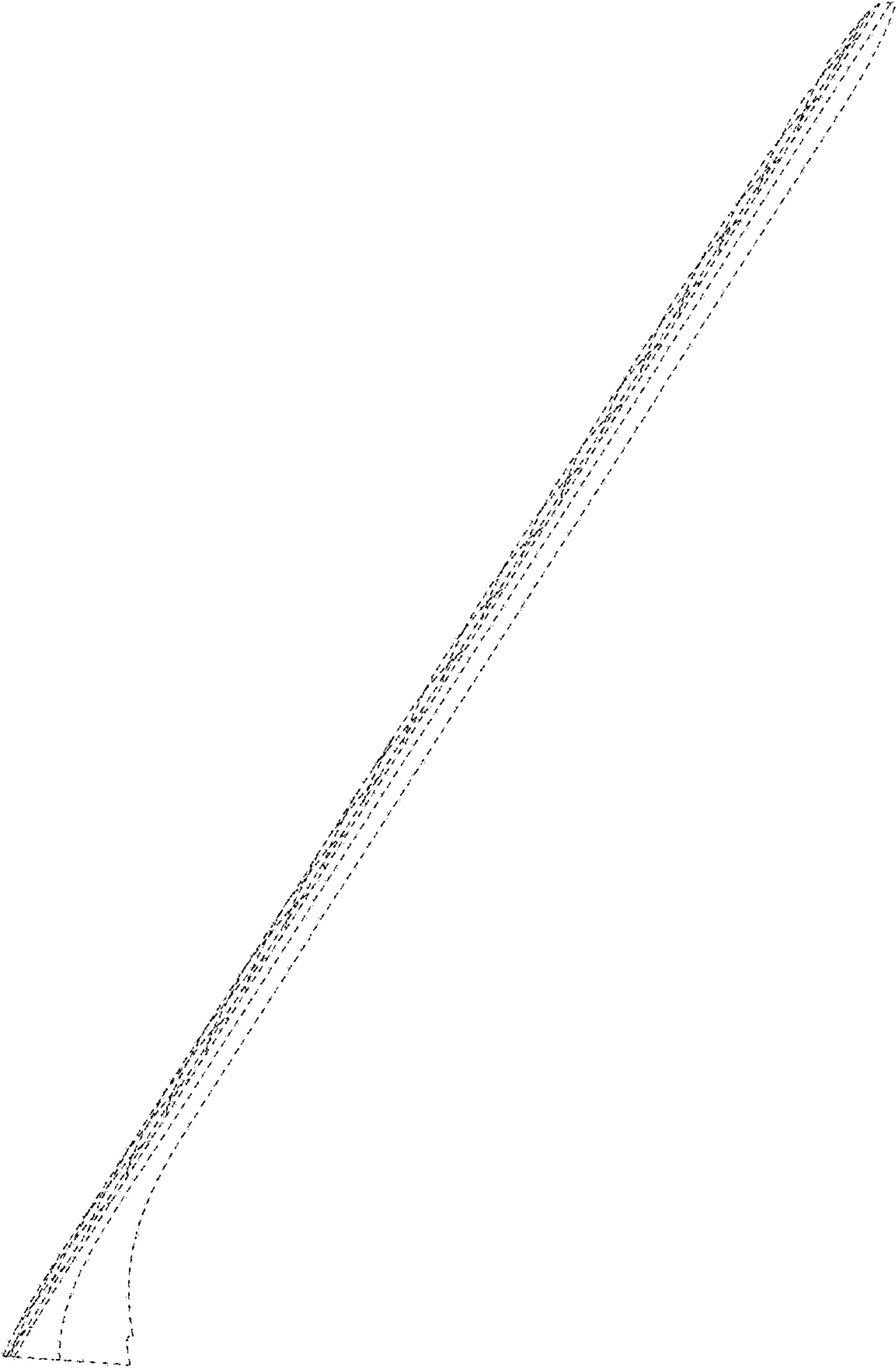


FIG. 4

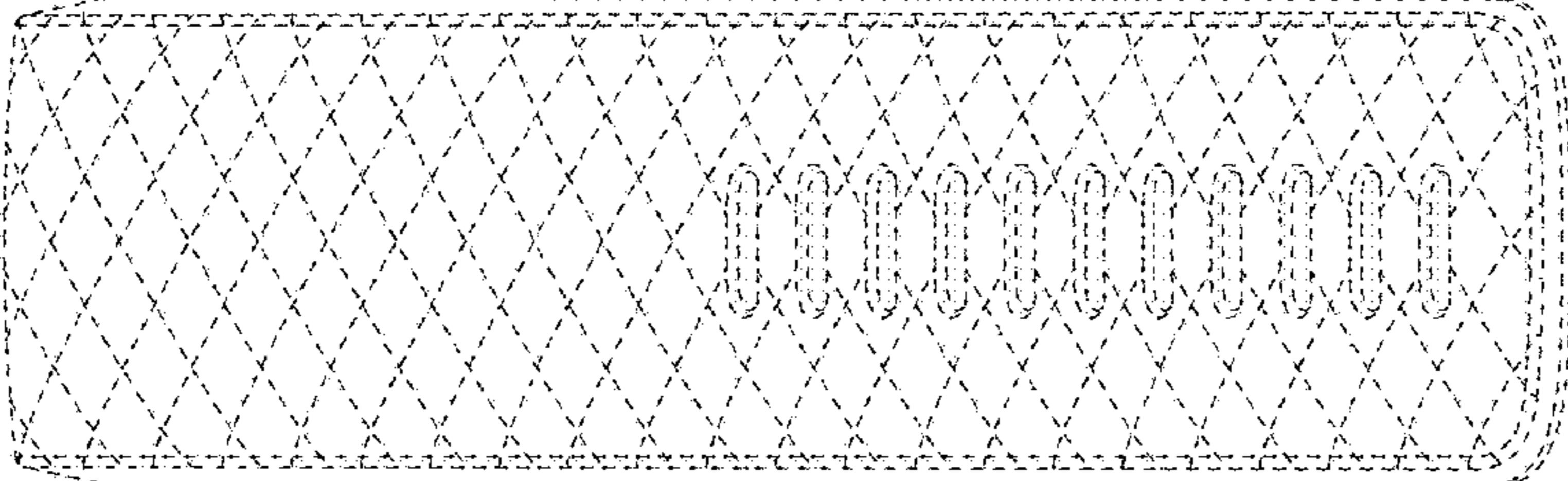


FIG. 5

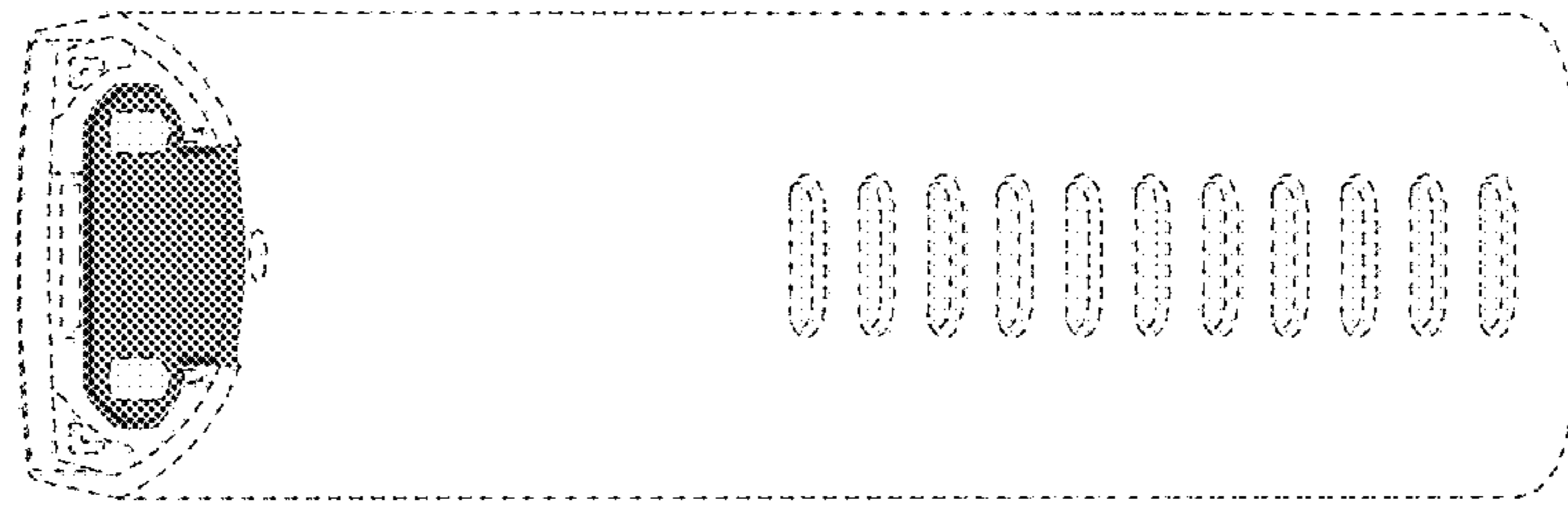


FIG. 6

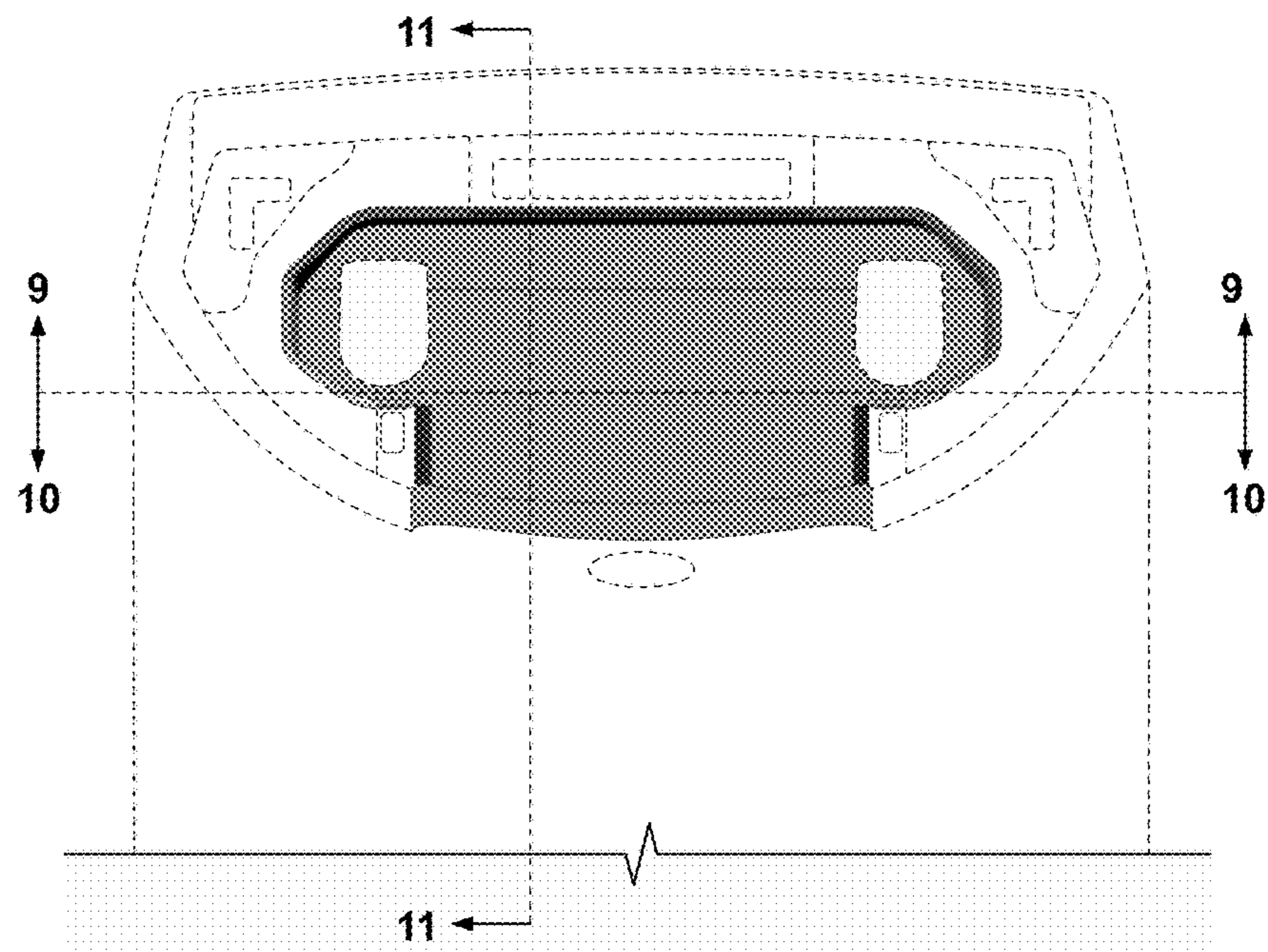


FIG. 7

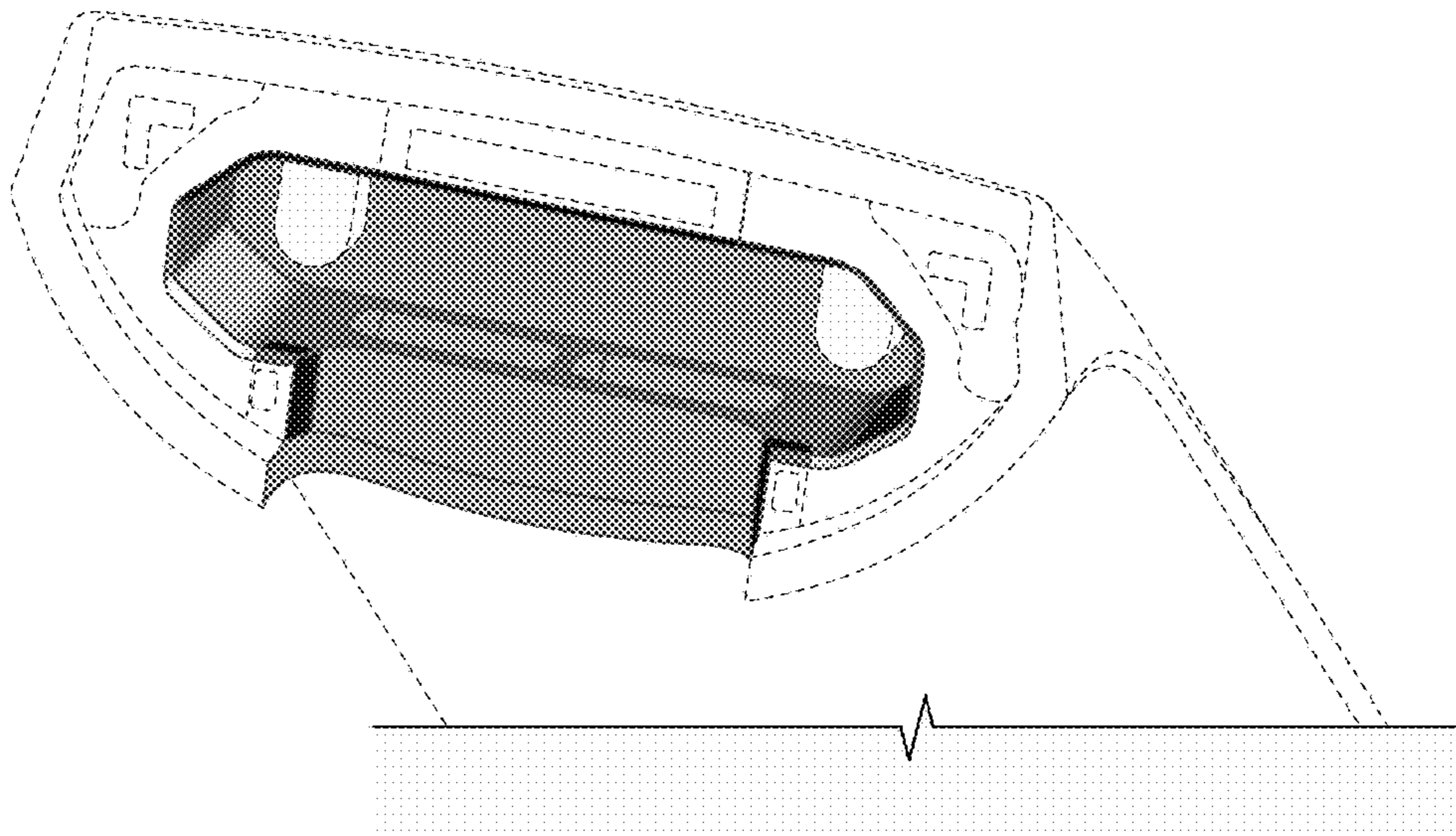


FIG. 8

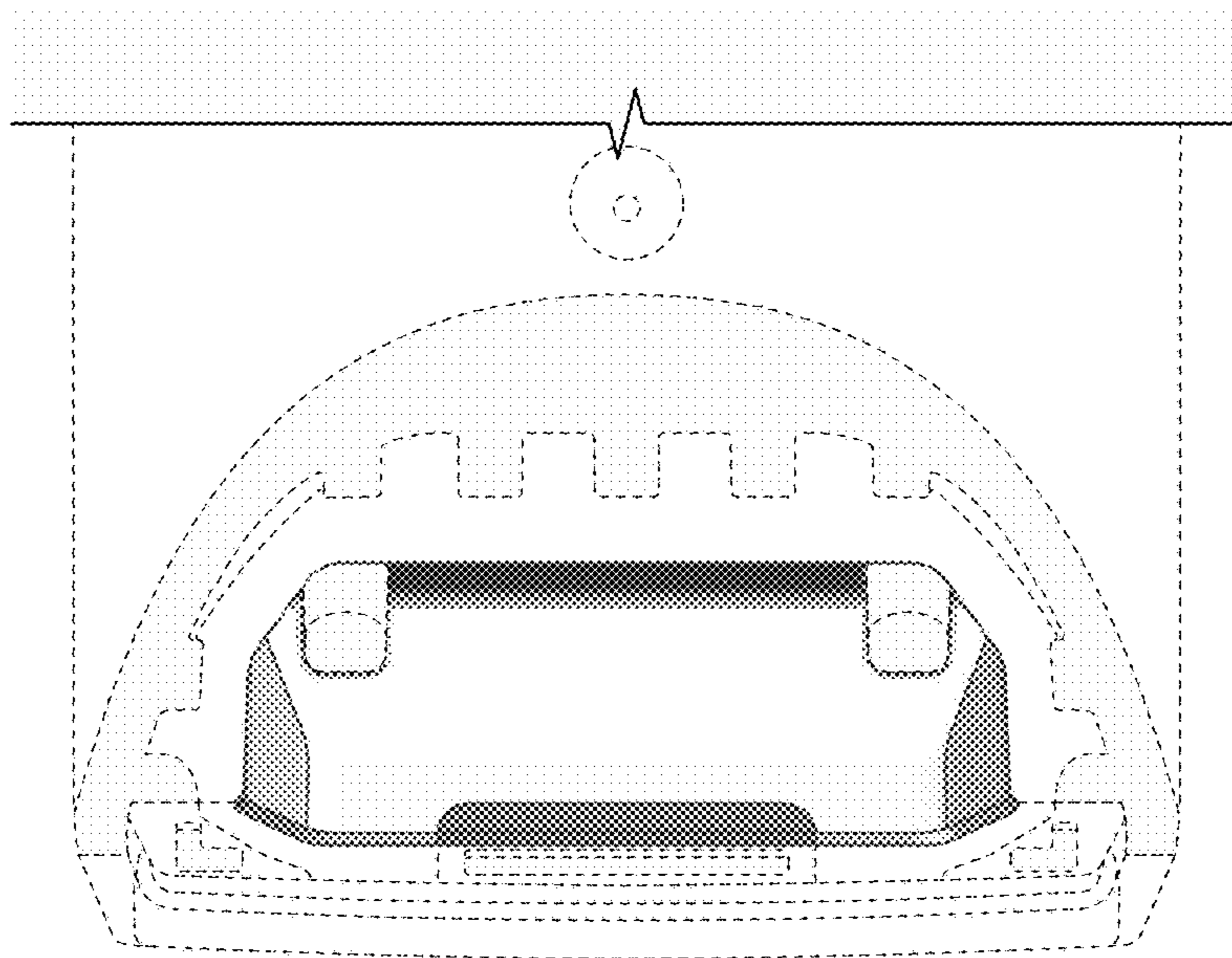


FIG. 9

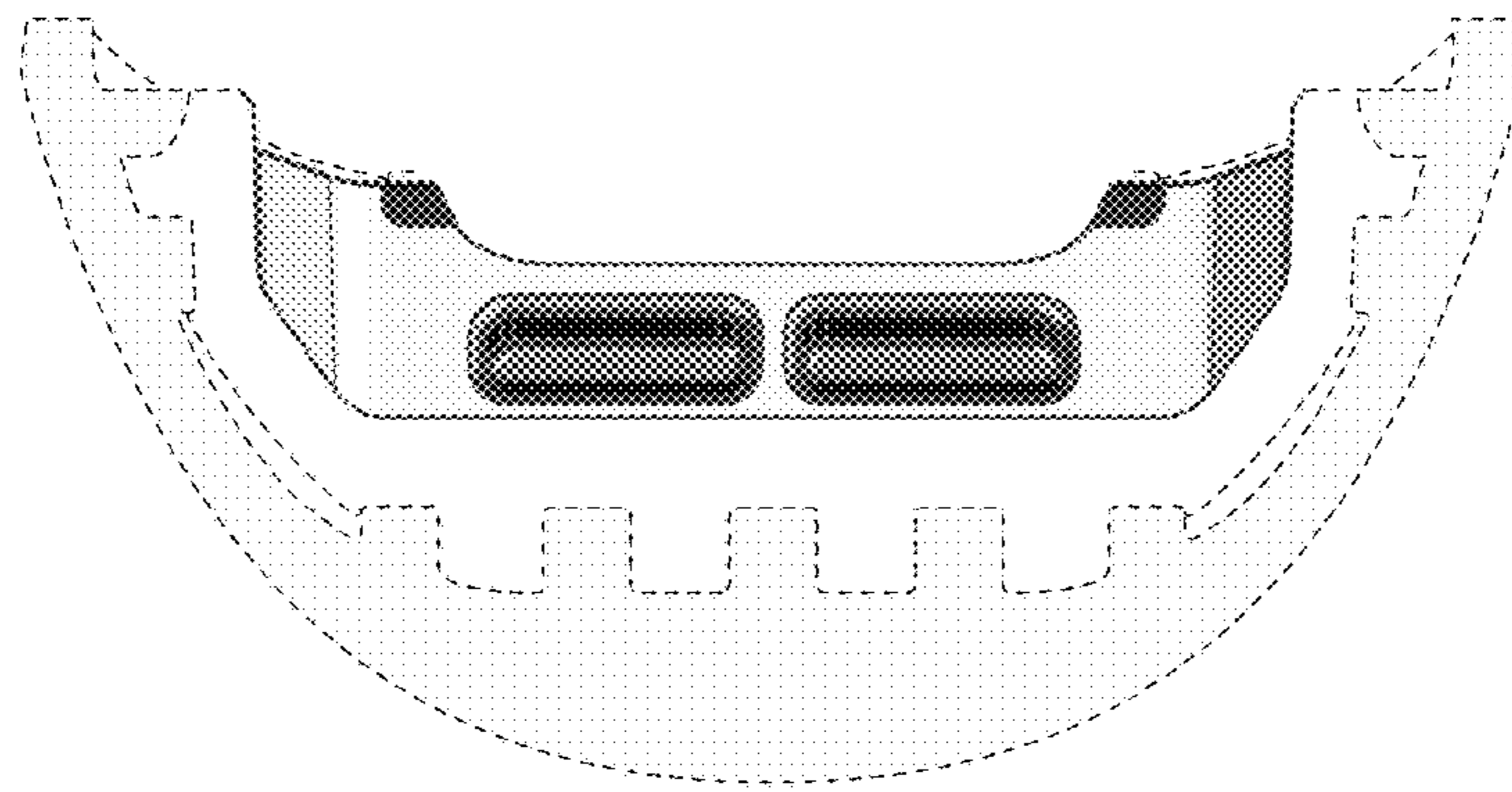


FIG. 10

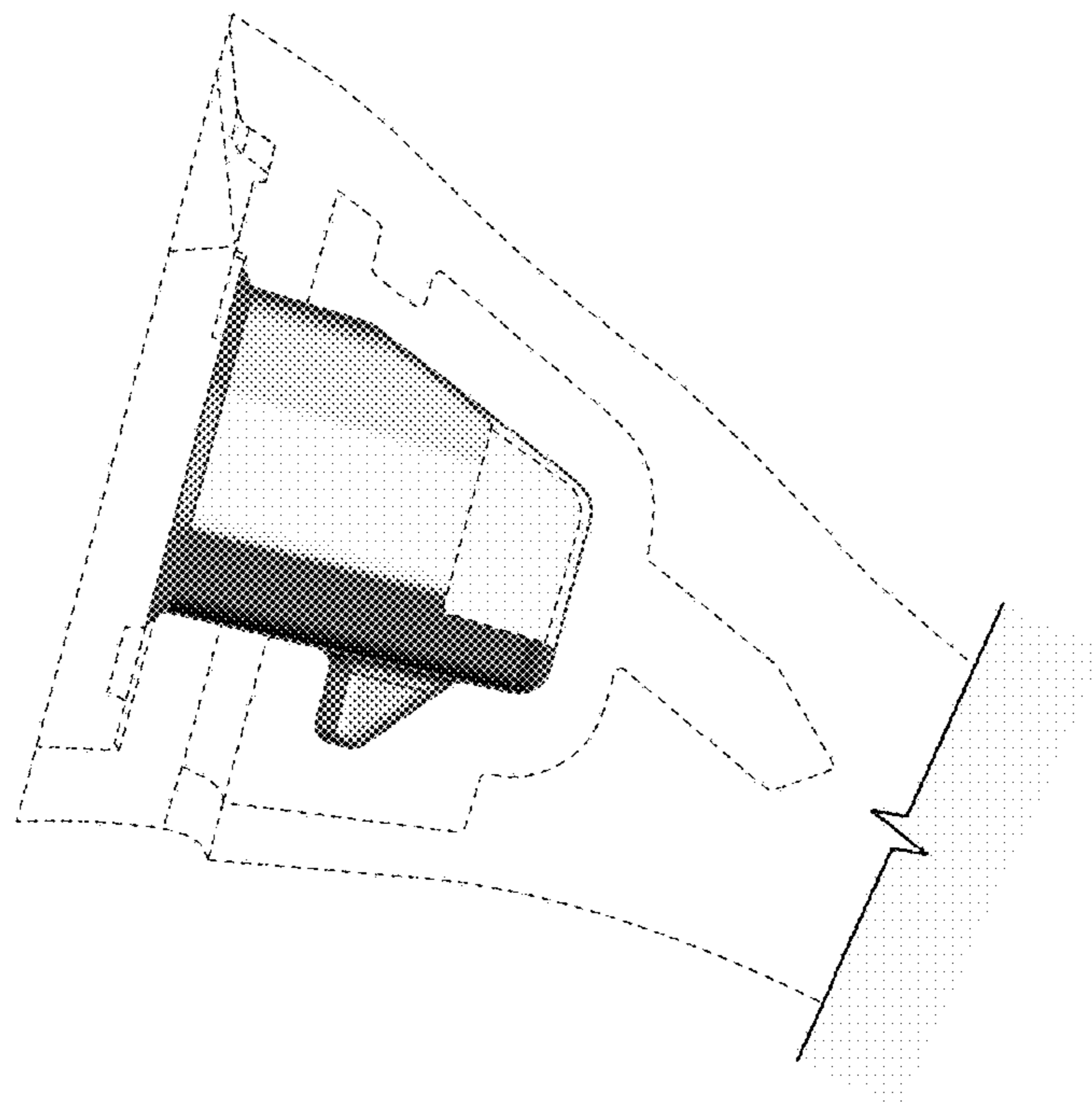


FIG. 11

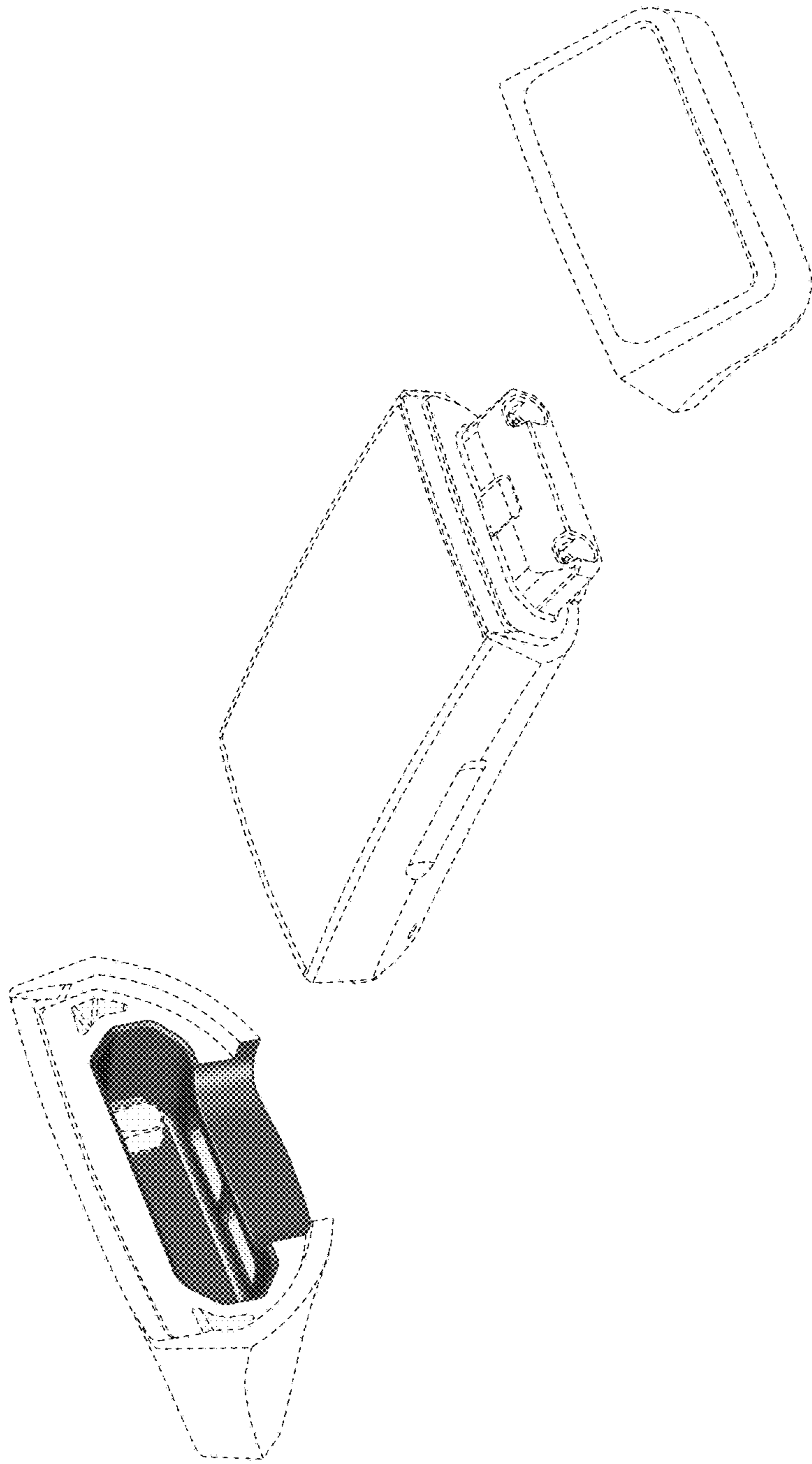


FIG. 12

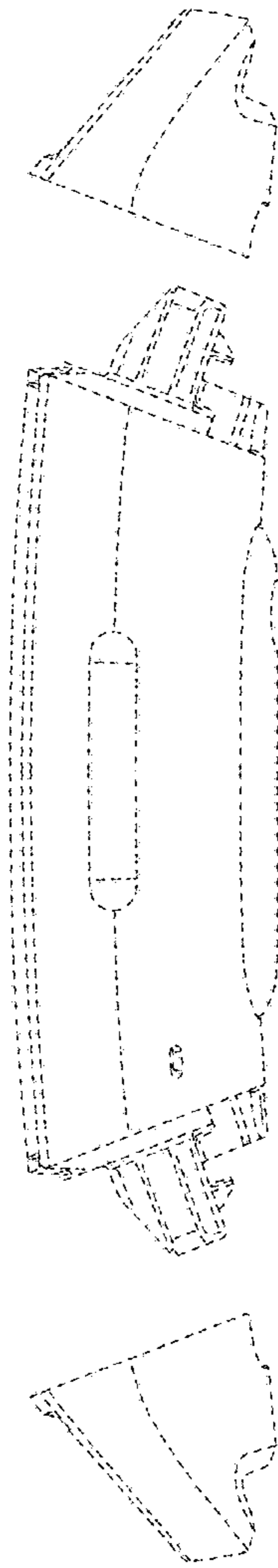


FIG. 13

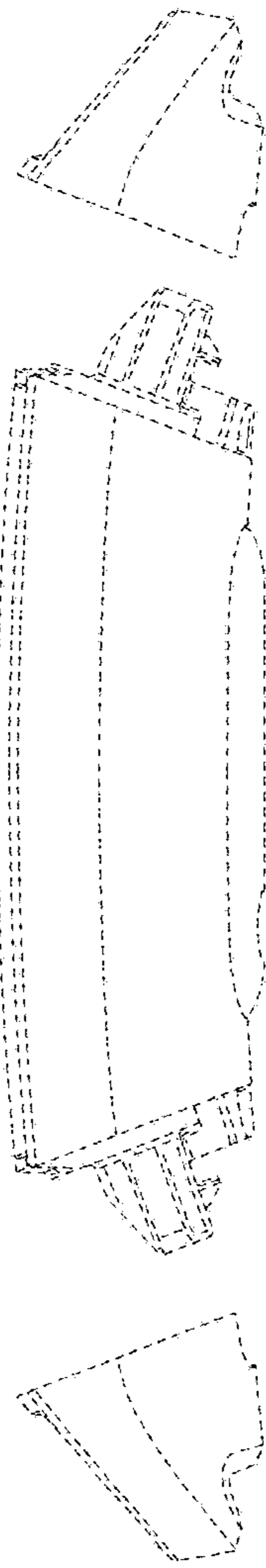


FIG. 14

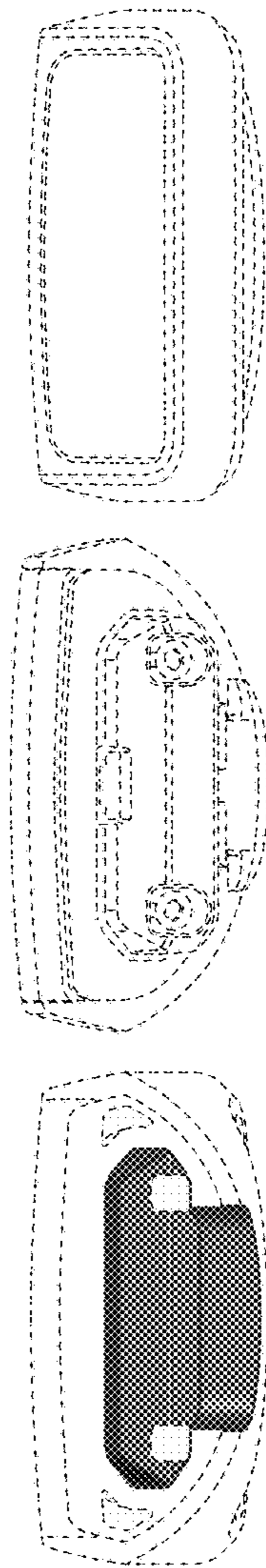


FIG. 15

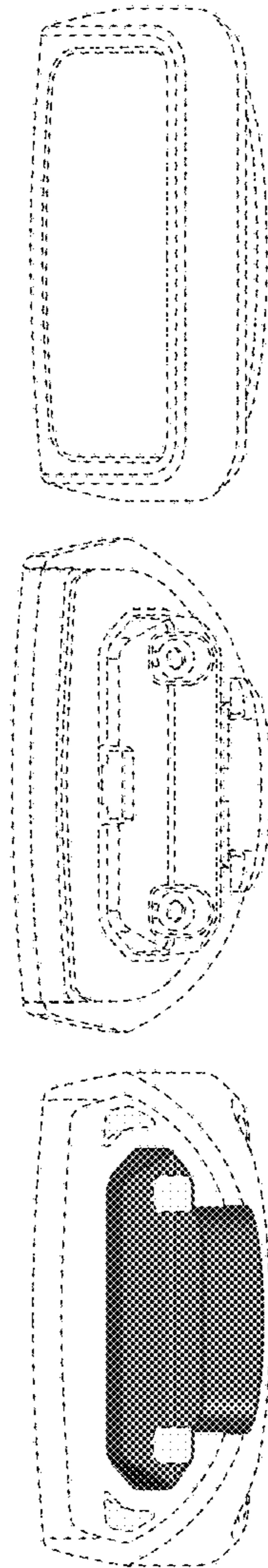


FIG. 16

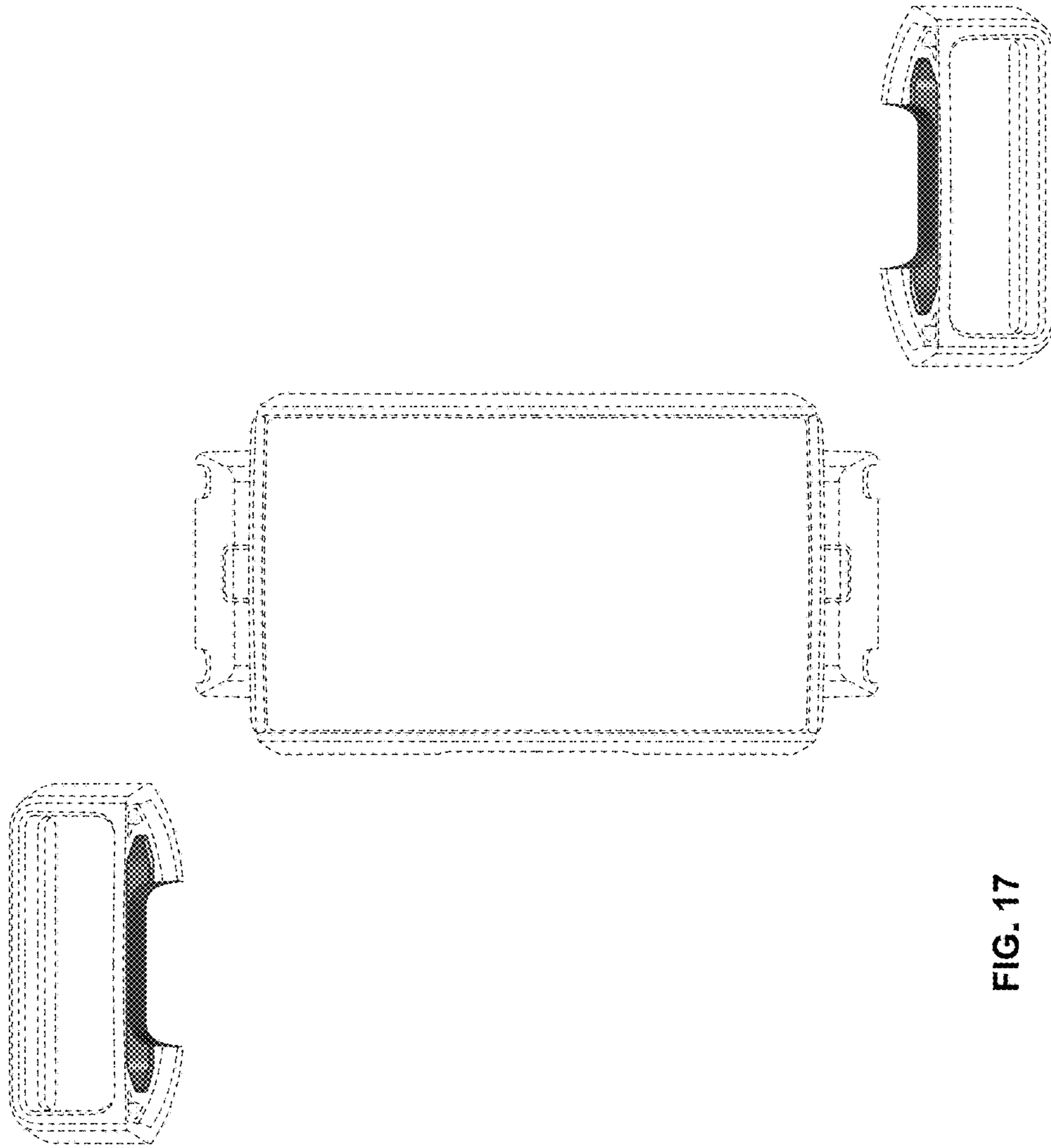


FIG. 17

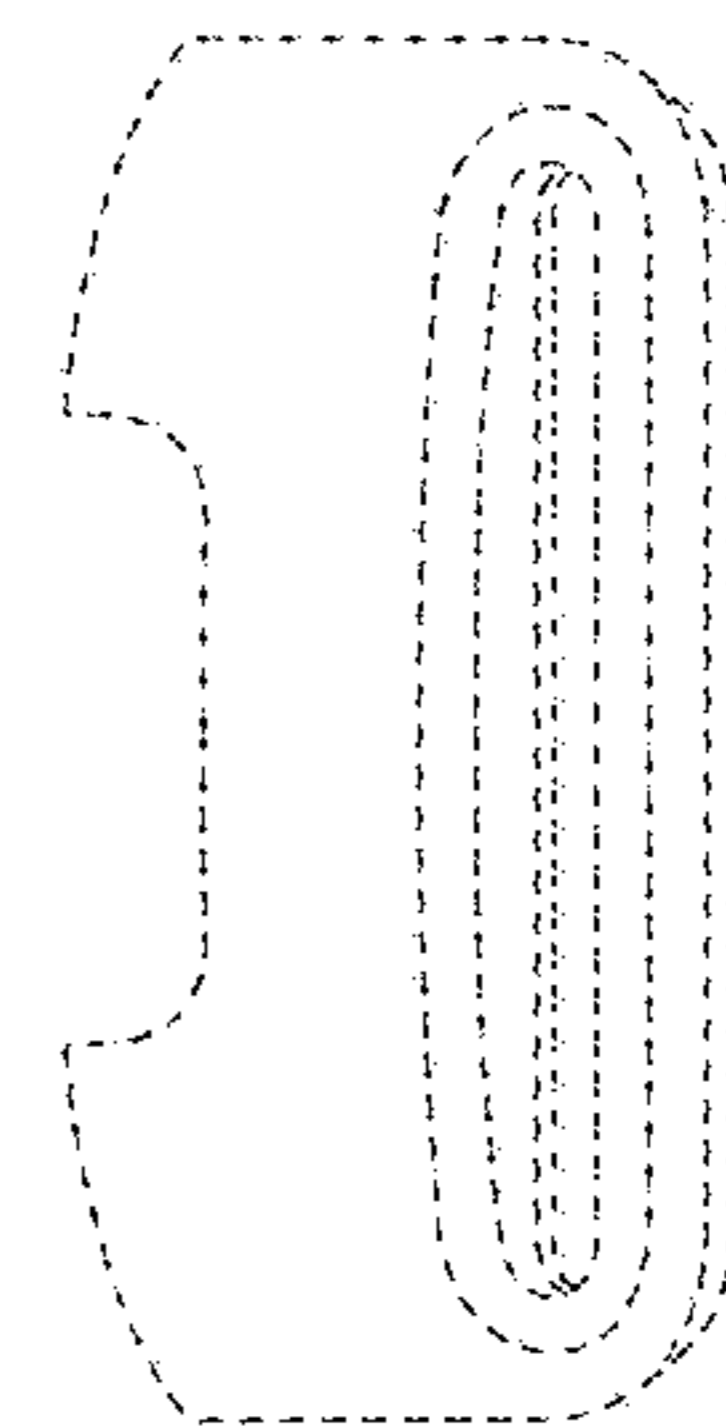
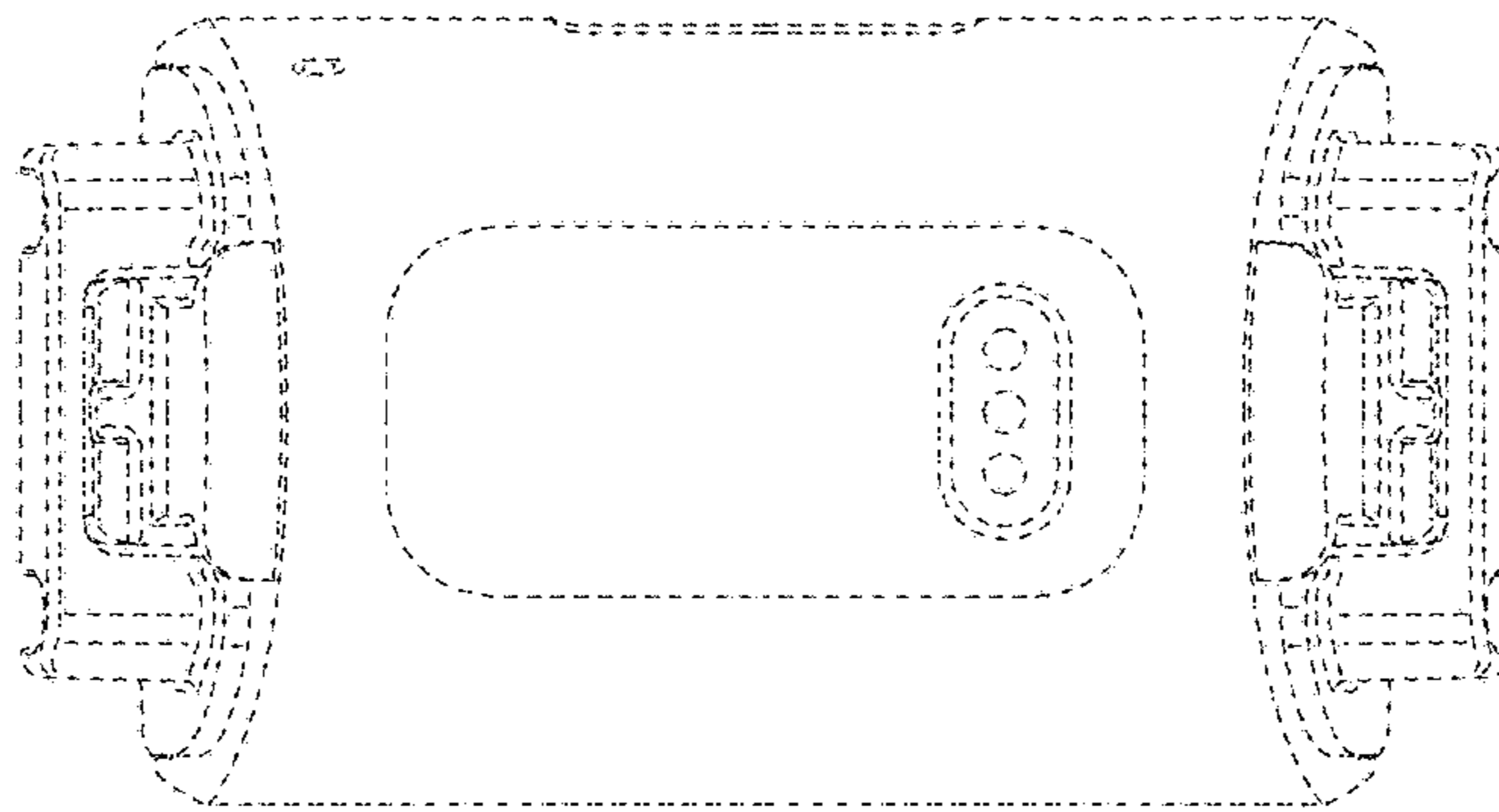
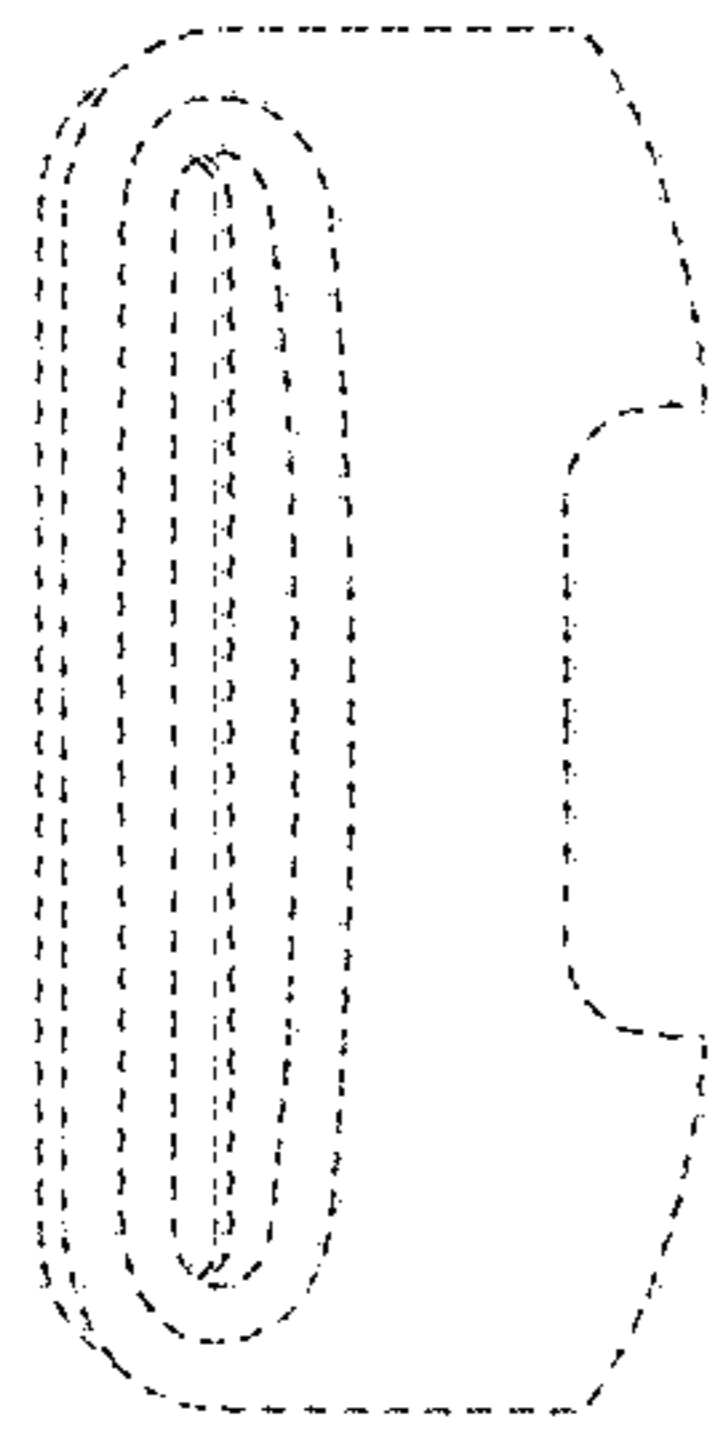


FIG. 18

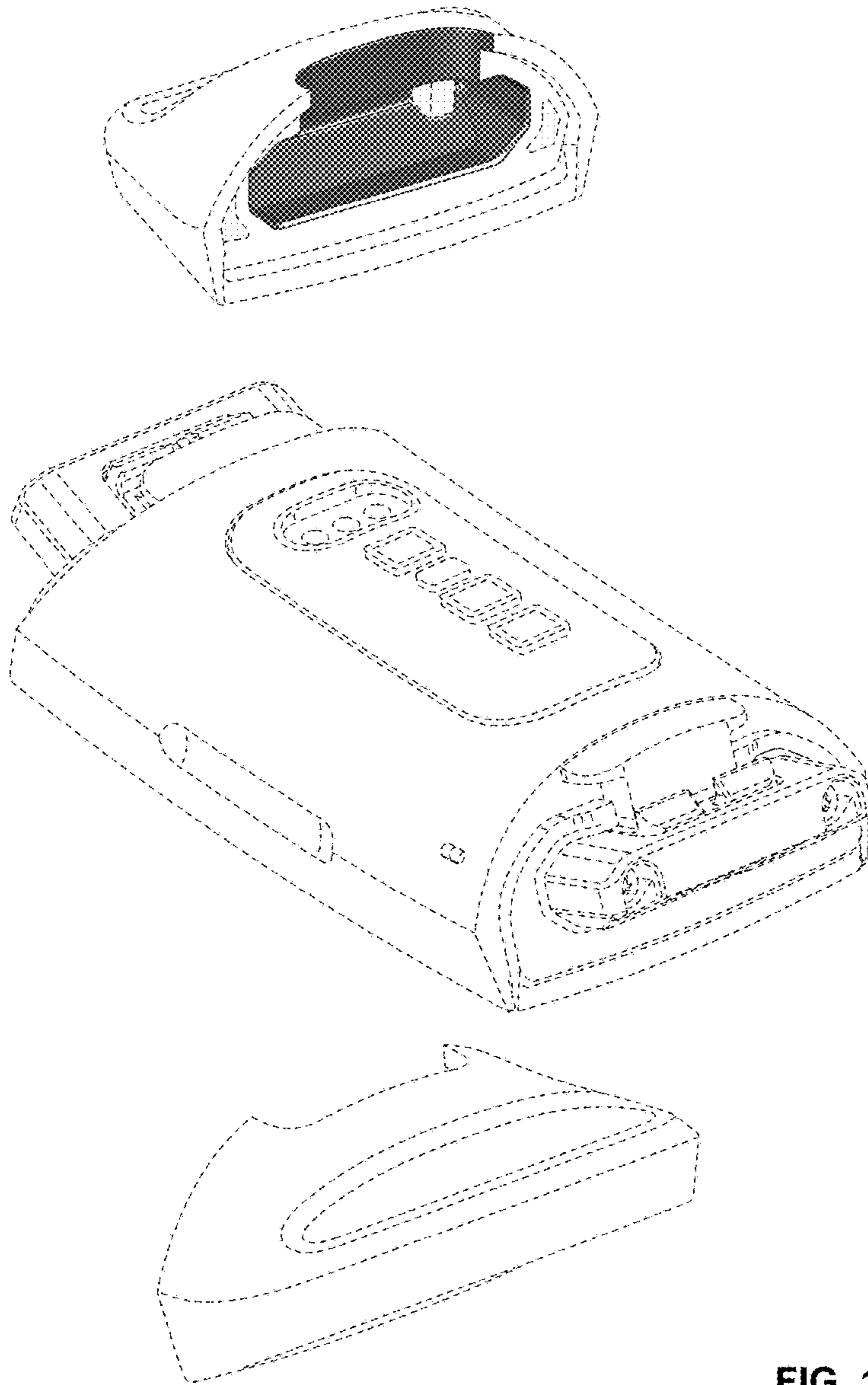


FIG. 19

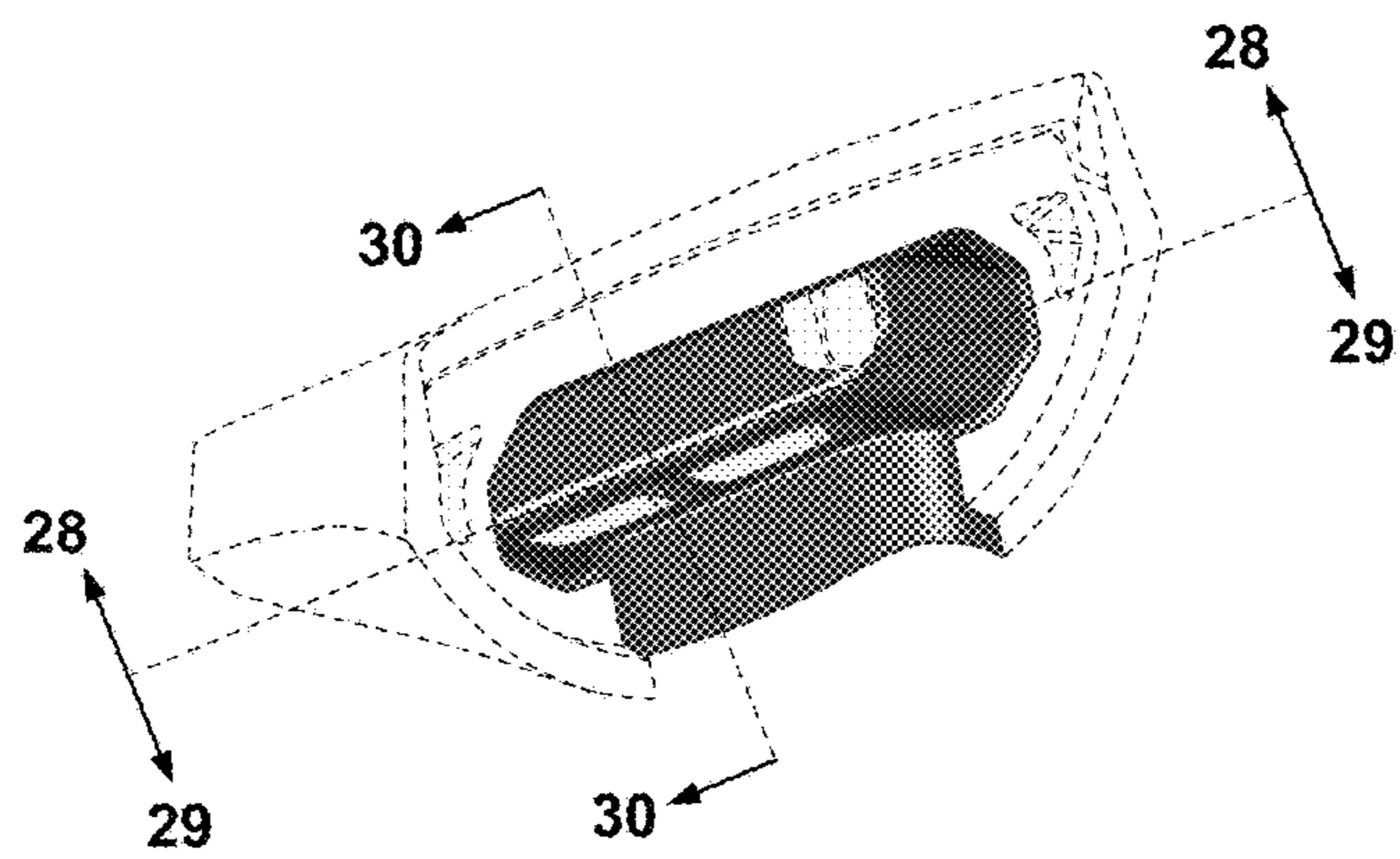


FIG. 20

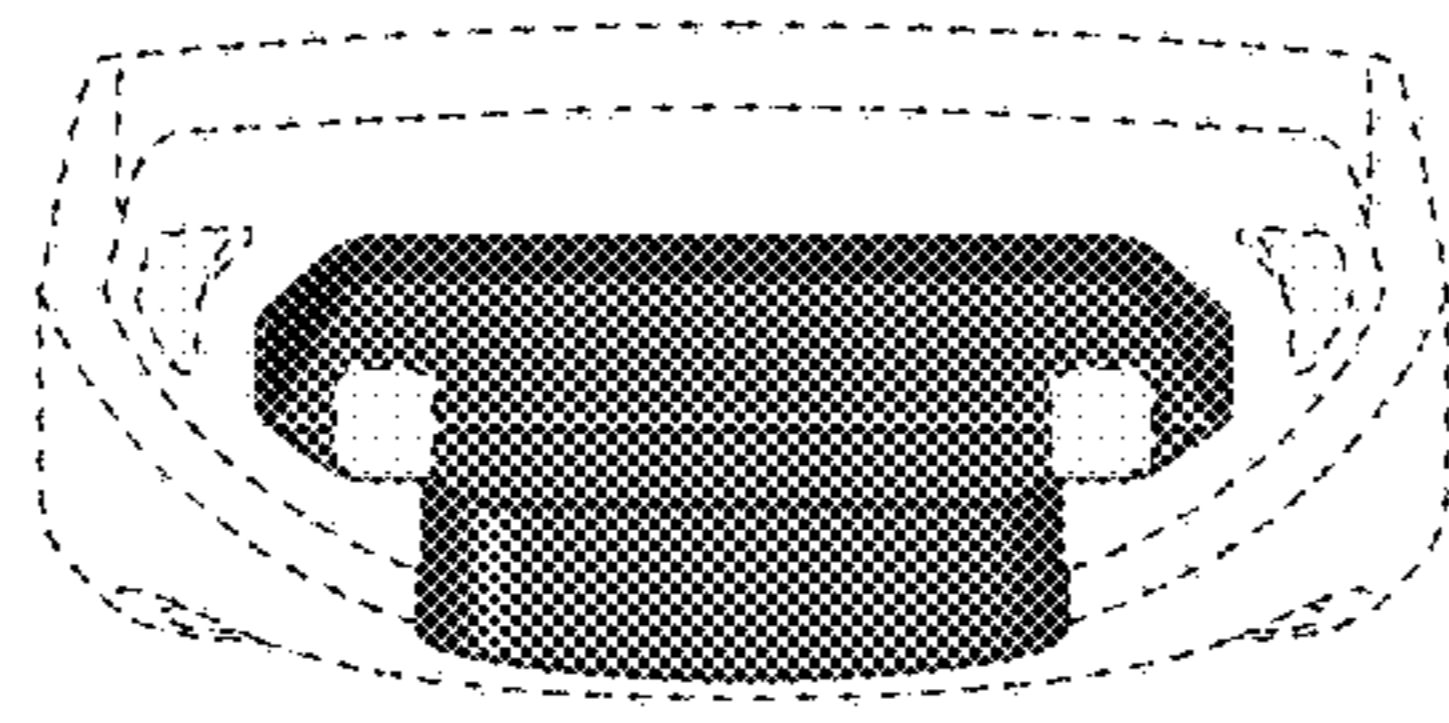


FIG. 21

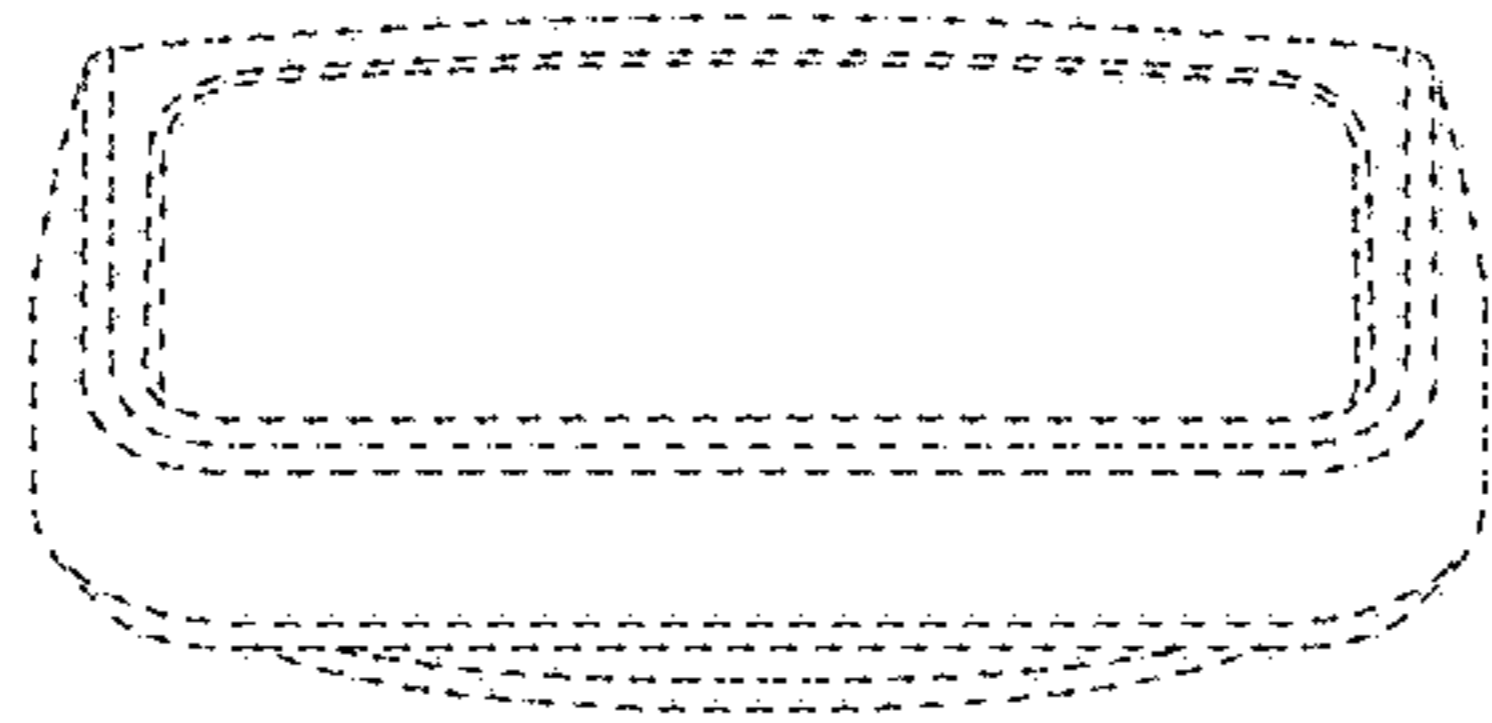


FIG. 22

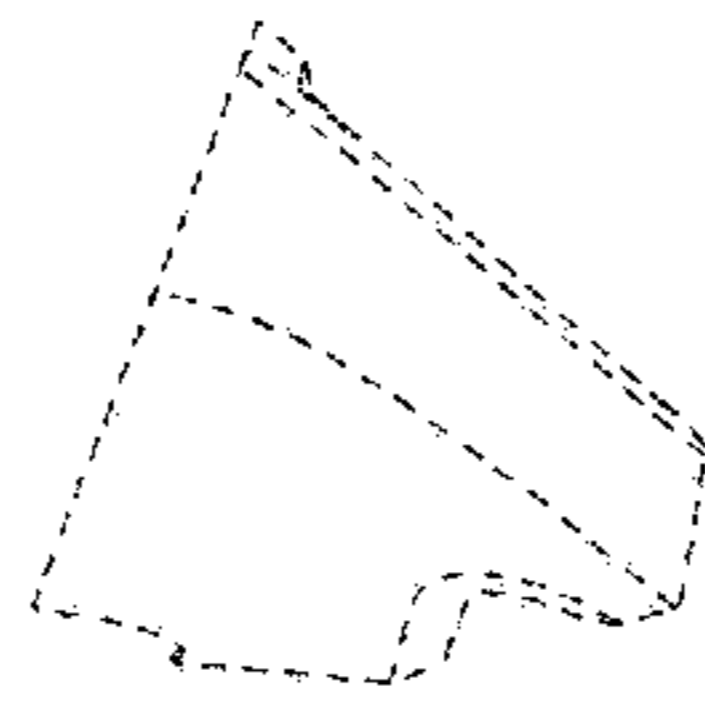


FIG. 23

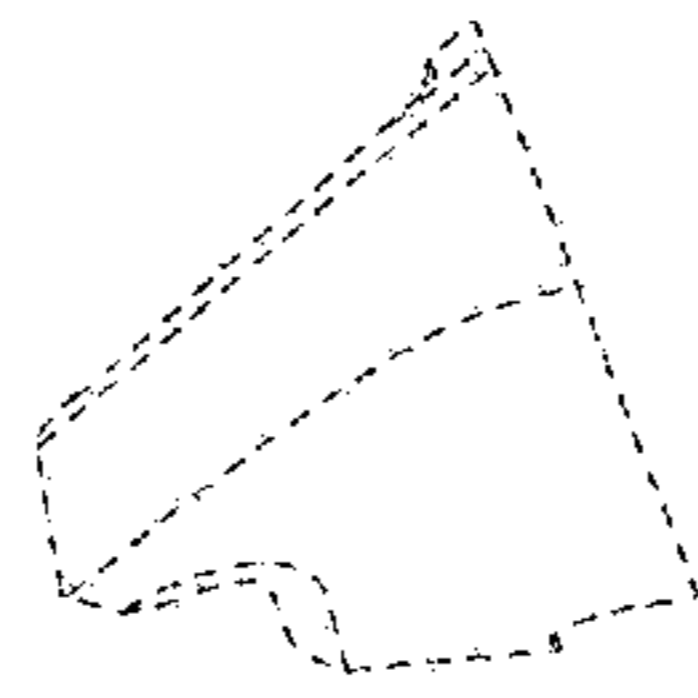


FIG. 24

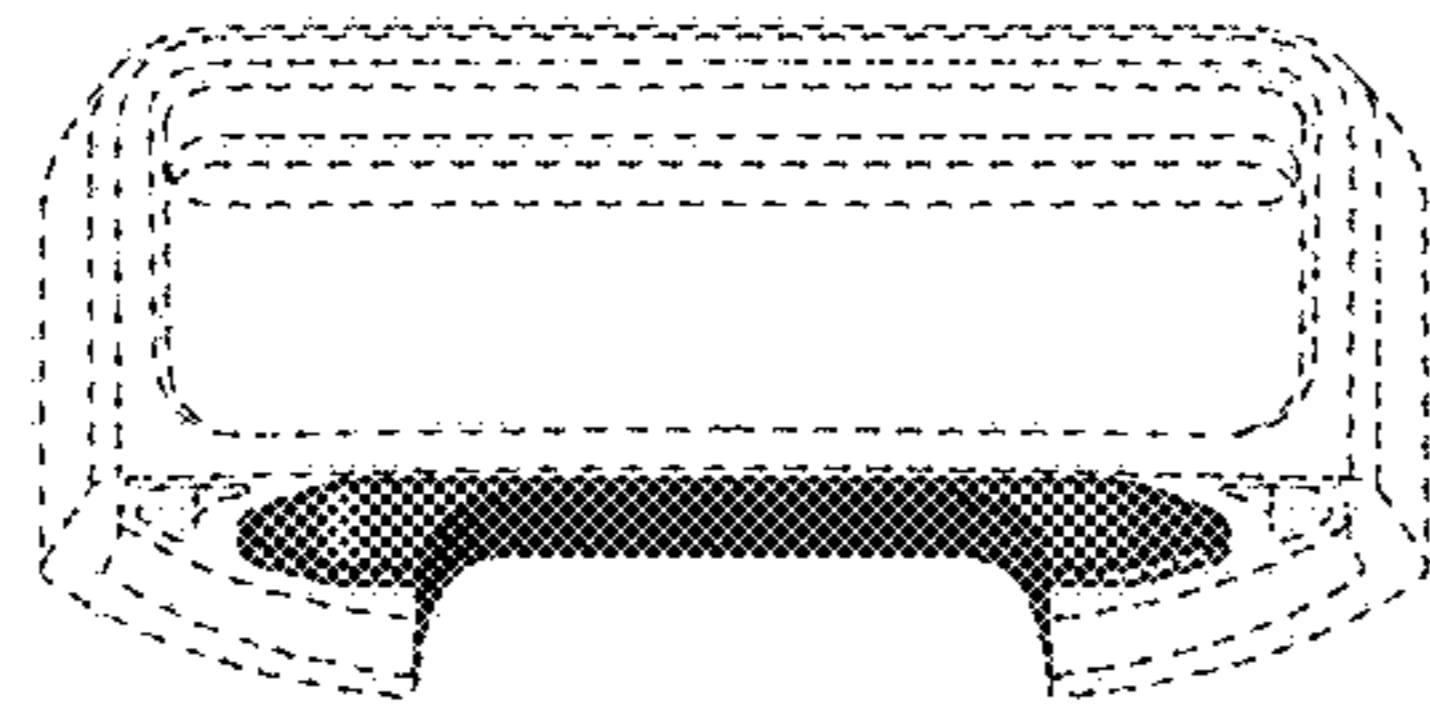


FIG. 25

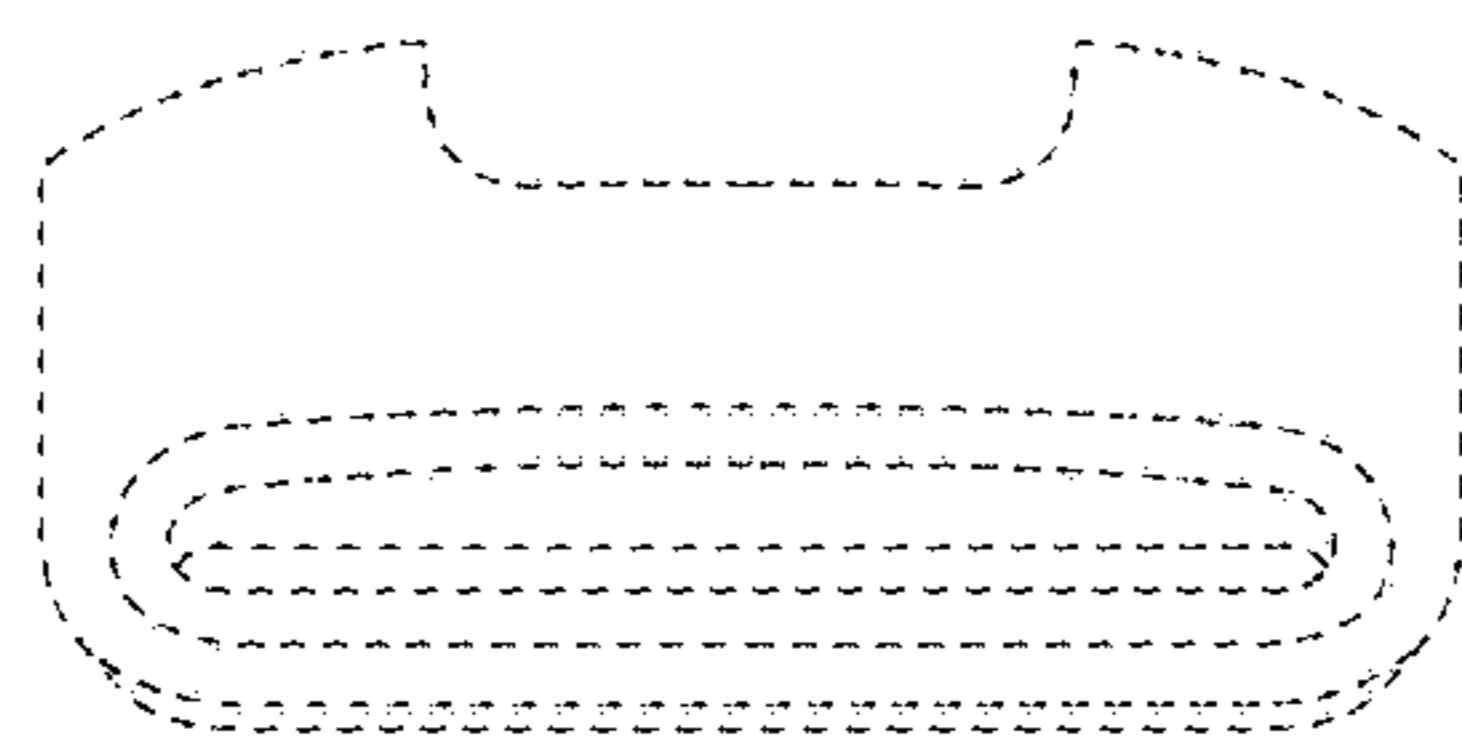


FIG. 26

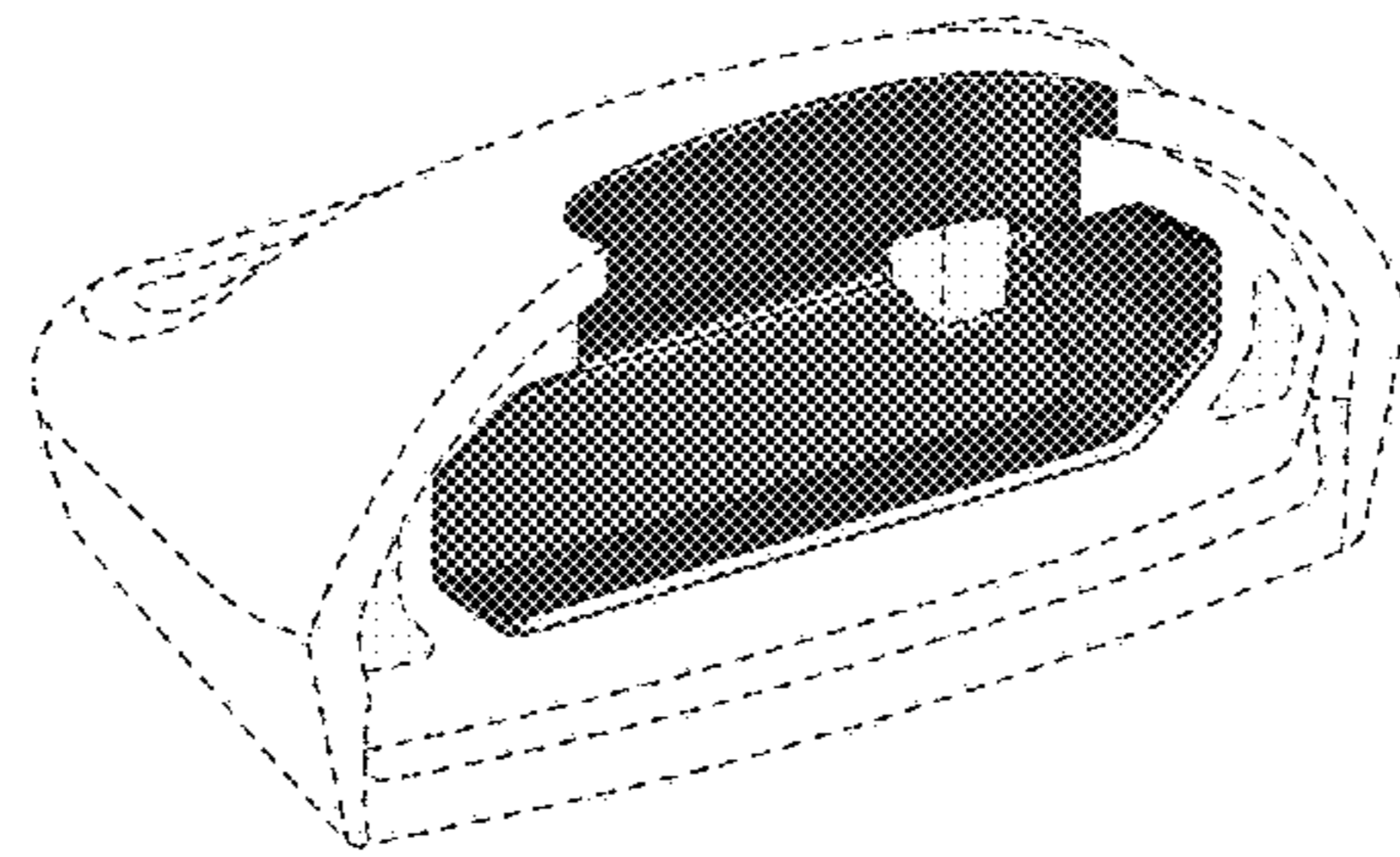


FIG. 27

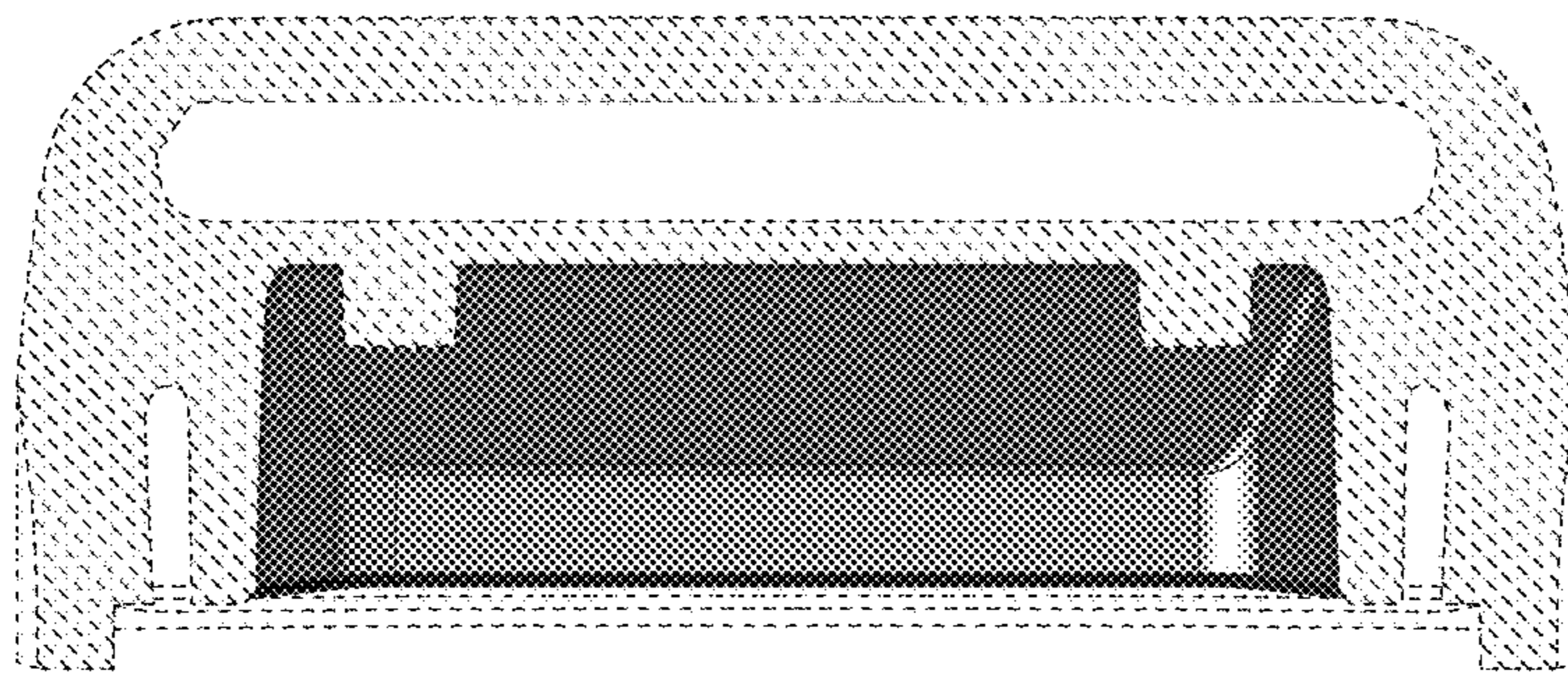


FIG. 28

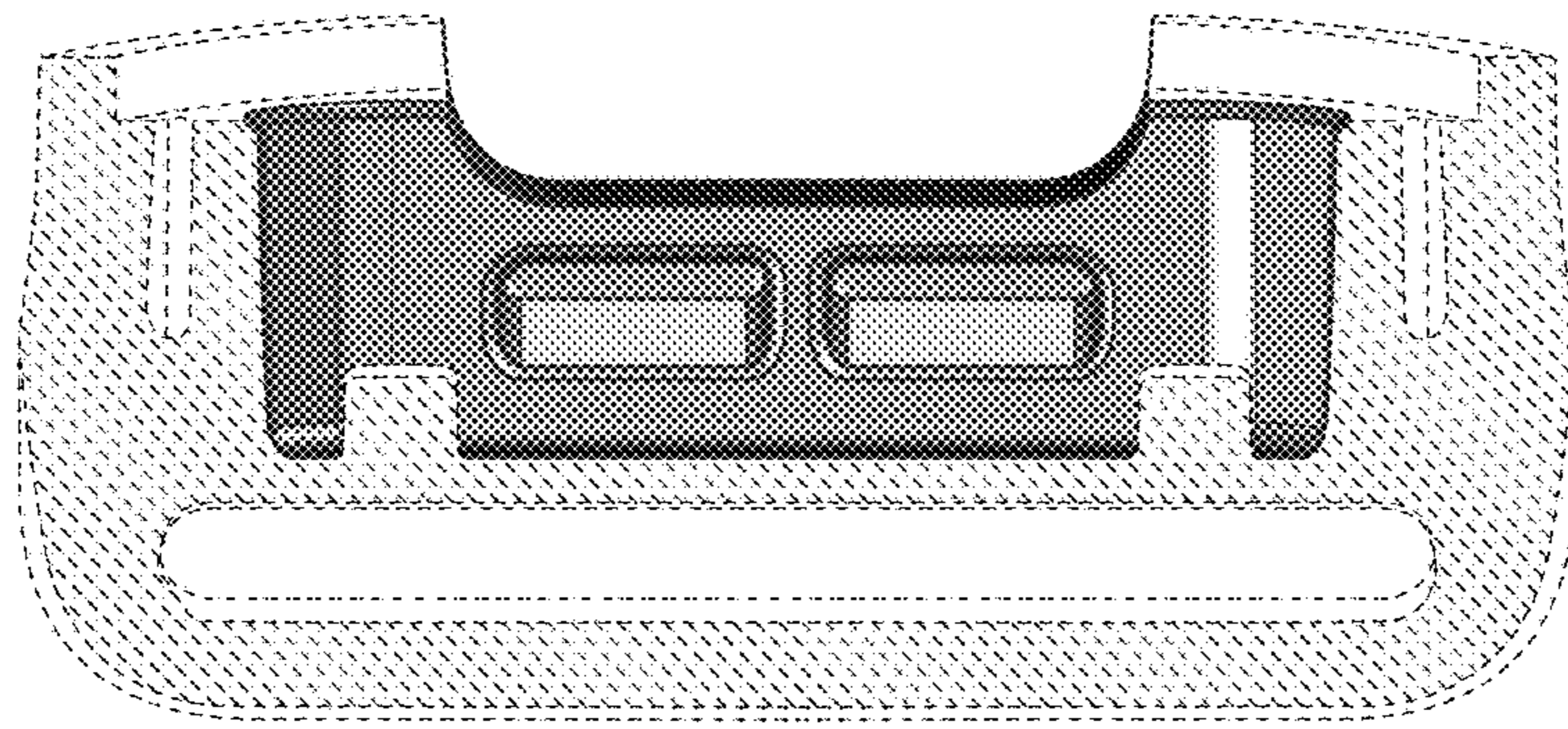


FIG. 29

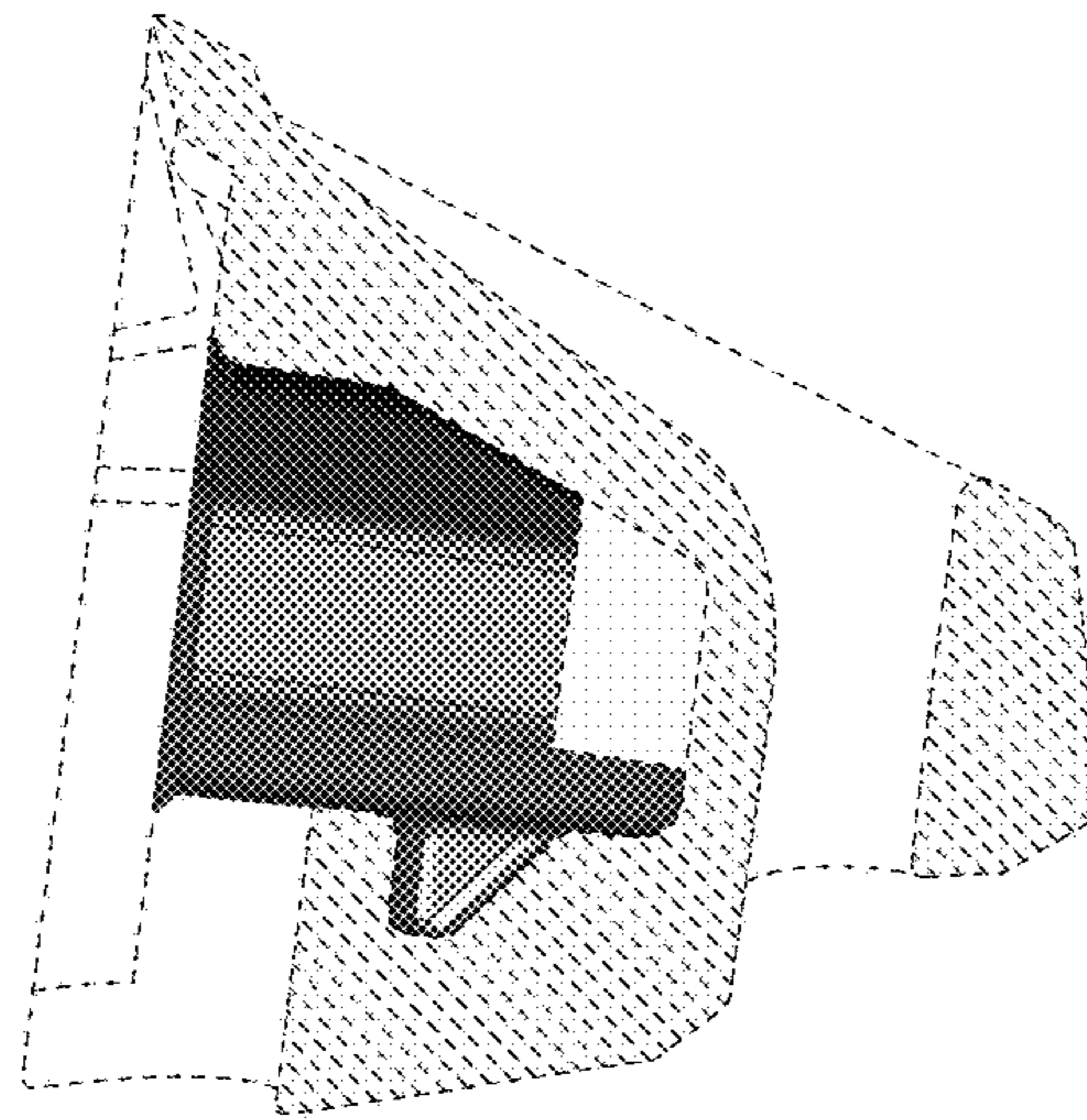


FIG. 30