



US00D857010S

(12) **United States Design Patent**
Choi et al.

(10) **Patent No.:** **US D857,010 S**

(45) **Date of Patent:** **** Aug. 20, 2019**

(54) **PORTABLE ELECTRONIC DEVICE**

G04B 3/046; G04B 3/048; G04B 37/106;
G04B 3/001; G04B 37/1486; G04F 7/08;
G04F 7/0804; G04F 7/0842; G04F
7/0852; G04F 7/0857; G04F 7/0861;
G04F 7/0871; G04F 7/0876

(71) Applicant: **Samsung Electronics Co., Ltd.**,
Suwon-si (KR)

See application file for complete search history.

(72) Inventors: **Kwangha Choi**, Seoul (KR); **Sanhui
Oh**, Seoul (KR); **Yongseok Bang**,
Yongin-si (KR); **Jaehyung Hong**, Seoul
(KR)

(56) **References Cited**

U.S. PATENT DOCUMENTS

(73) Assignee: **SAMSUNG ELECTRONICS CO.,
LTD.**, Suwon-si (KR)

D287,341 S	12/1986	Grimes	
D287,470 S	12/1986	Houlihan	
D349,062 S	7/1994	Goto	
D364,822 S	12/1995	Sakai	
D379,326 S	5/1997	Riley	
D380,391 S	* 7/1997	Osit D10/30

(Continued)

(**) Term: **15 Years**

(21) Appl. No.: **29/645,208**

(22) Filed: **Apr. 24, 2018**

Primary Examiner — Sandra S Snapp

Assistant Examiner — Katherine Glennon

Related U.S. Application Data

(63) Continuation of application No. 29/582,577, filed on
Oct. 28, 2016, now Pat. No. Des. 817,952.

(74) *Attorney, Agent, or Firm* — McAndrews Held &
Malloy, Ltd.

(30) **Foreign Application Priority Data**

Jul. 18, 2016 (KR) 30-2016-0034890

(51) **LOC (12) Cl.** **14-02**

(52) **U.S. Cl.**
USPC **D14/344**; D10/30

(58) **Field of Classification Search**

USPC D10/22, 30-32, 37-39, 65, 70, 98, 103,
D10/122-124, 126-128, 131; D14/344
CPC A44C 5/16; A44C 5/22; A44C 5/24; A44C
5/243; A44C 5/246; A44C 5/10; A44C
5/102; A44C 5/105; A44C 5/107; A44C
5/02; A44C 5/027; A44C 5/00; A44C
5/0053; A44C 5/0076; A44C 5/0069;
G04B 19/06; G04B 19/08; G04B 19/085;
G04B 19/103; G04B 19/12; G04B 19/18;
G04B 19/22; G04B 19/223; G04B 19/24;
G04B 19/26; G04B 19/283; G04B 19/30;
G04B 19/00; G04B 19/025; G04B 19/04;

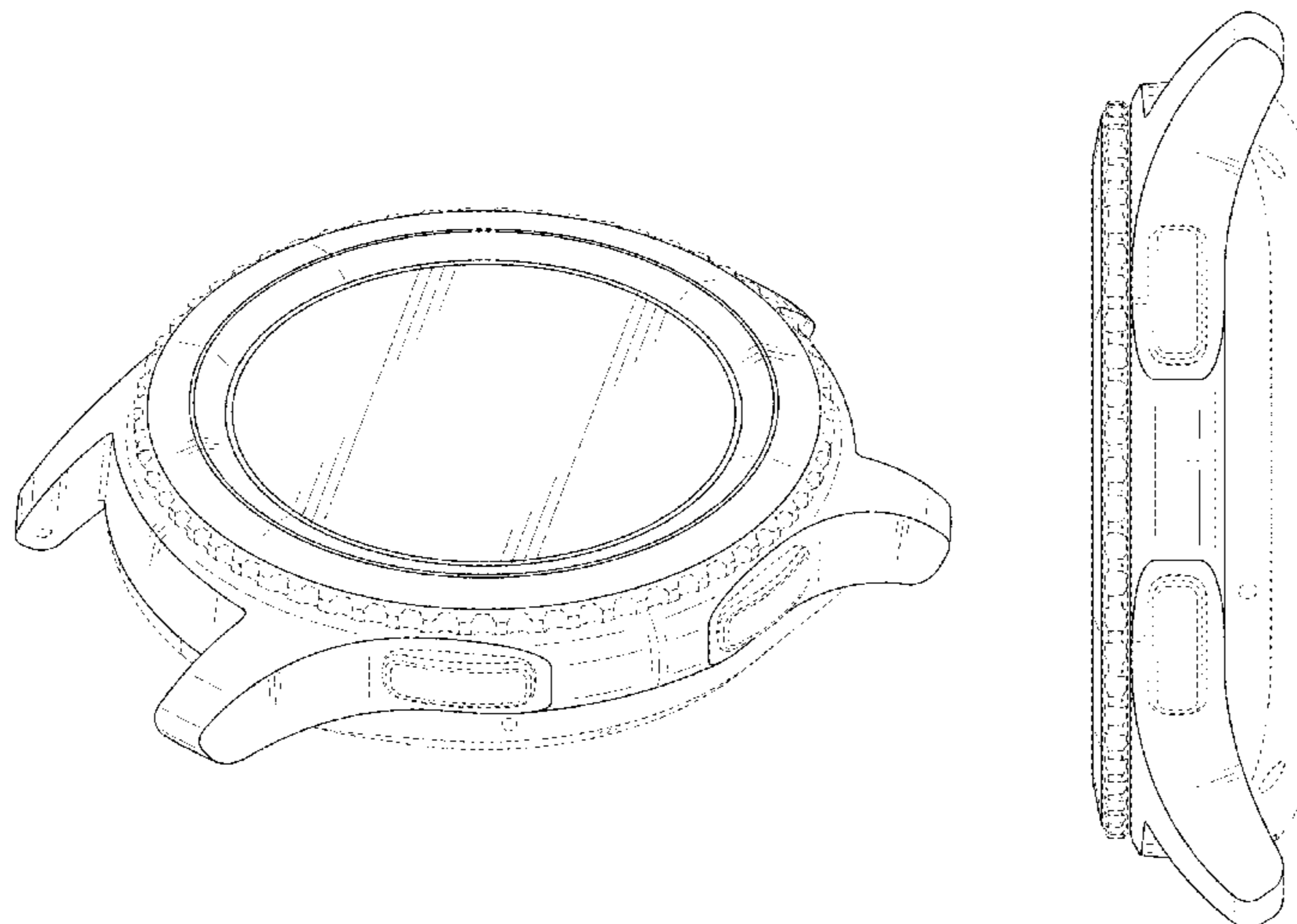
(57) **CLAIM**

The ornamental design for a portable electronic device, as
shown and described.

DESCRIPTION

FIG. 1 is a front perspective view of a portable electronic
device showing our new design;
FIG. 2 is a front elevation view thereof;
FIG. 3 is a rear elevation view thereof;
FIG. 4 is a left side elevation view thereof;
FIG. 5 is a right side elevation view thereof;
FIG. 6 is a top plan view thereof;
FIG. 7 is a bottom plan view thereof; and,
FIG. 8 is a bottom perspective view thereof.
The broken lines in the drawings depict portions of the
portable electronic device that form no part of the claimed
design.

1 Claim, 8 Drawing Sheets



(56)

References Cited

U.S. PATENT DOCUMENTS

D383,402 S	9/1997	Takelchi		D695,637 S	*	12/2013	Jacquerye	D10/39
D430,042 S	8/2000	Schopfer		D731,327 S	*	6/2015	Schoepfer	D10/39
D440,162 S	4/2001	McKenzie		D740,704 S	*	10/2015	Park	D10/38
D455,971 S	4/2002	Yamamoto		D741,206 S	*	10/2015	Lim	D10/38
D470,776 S	* 2/2003	Blondin	D742,260 S		11/2015	Park		
D502,408 S	3/2005	Lalo		D743,282 S		11/2015	Park		
D518,388 S	4/2006	Biletto		D755,178 S		5/2016	Solomon		
D518,743 S	4/2006	Sugiura		D760,096 S	*	6/2016	Lutgen	D10/126
D536,266 S	* 2/2007	Tomimatsu	D772,868 S	*	11/2016	Park	D10/39
D536,268 S	2/2007	Asakawa		D773,458 S		12/2016	Park		
D536,626 S	2/2007	Kachi		D797,098 S	*	9/2017	Bang	D14/344
D536,994 S	* 2/2007	Sugisawa	D801,195 S	*	10/2017	Monachon	D10/30
D536,997 S	* 2/2007	Asakawa	D803,210 S	*	11/2017	Bang	D14/344
D537,367 S	2/2007	Oshita		D806,070 S	*	12/2017	Bang	D14/344
D538,182 S	* 3/2007	Lalo	D807,351 S	*	1/2018	Bang	D14/344
D554,539 S	11/2007	Galliano		D807,352 S	*	1/2018	Bang	D14/344
D555,515 S	* 11/2007	Krieger	D809,512 S	*	2/2018	Mistry	D14/344
D672,664 S	* 12/2012	Monachon	D817,952 S	*	5/2018	Choi	D14/344
D684,486 S	6/2013	Messmer		D817,953 S	*	5/2018	Choi	D14/344
D686,092 S	* 7/2013	Schoepfer	D833,903 S	*	11/2018	Choi	D10/128
				D835,621 S	*	12/2018	Bang	D14/344
				D836,101 S	*	12/2018	Bang	D14/344

* cited by examiner

FIG. 1

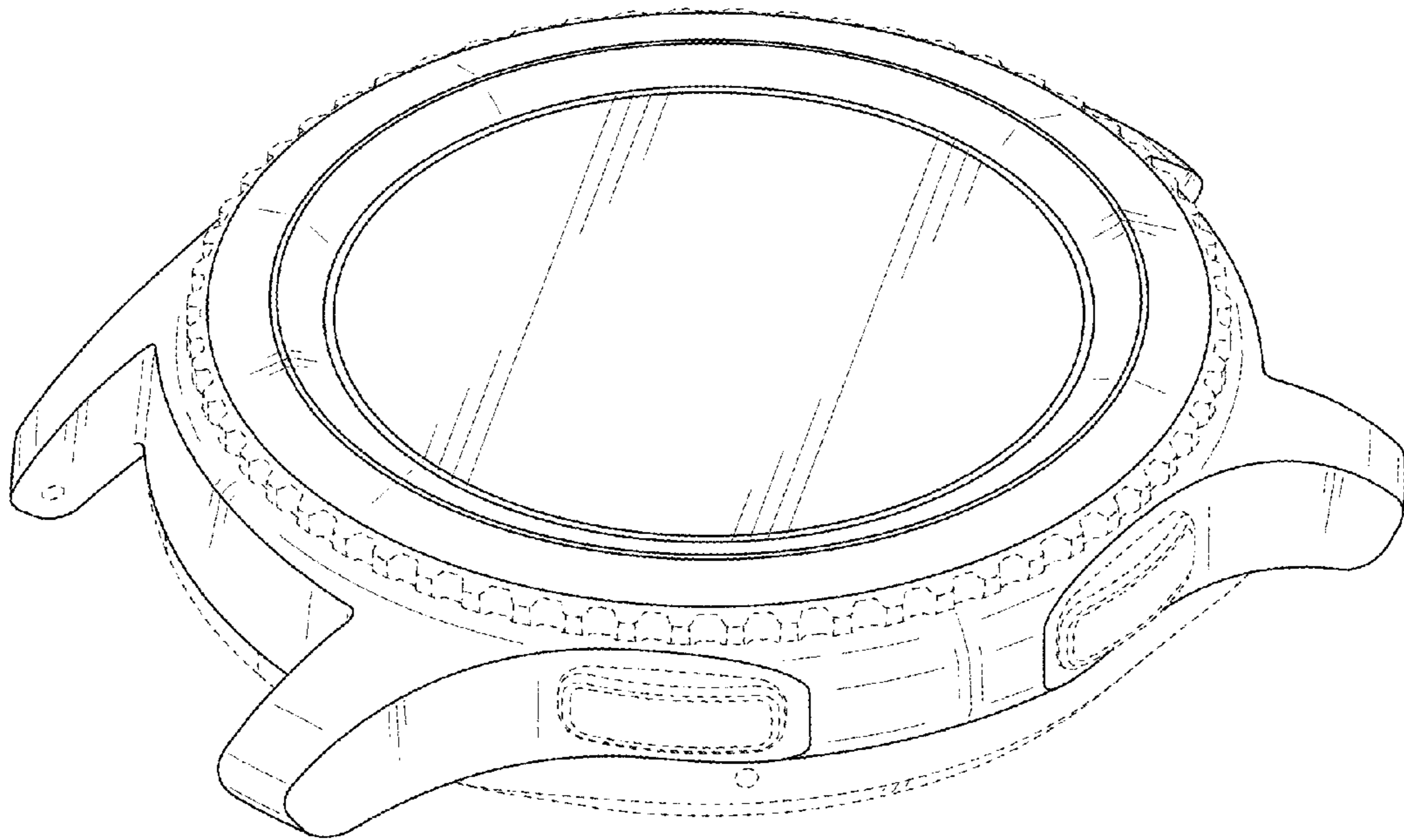


FIG. 2

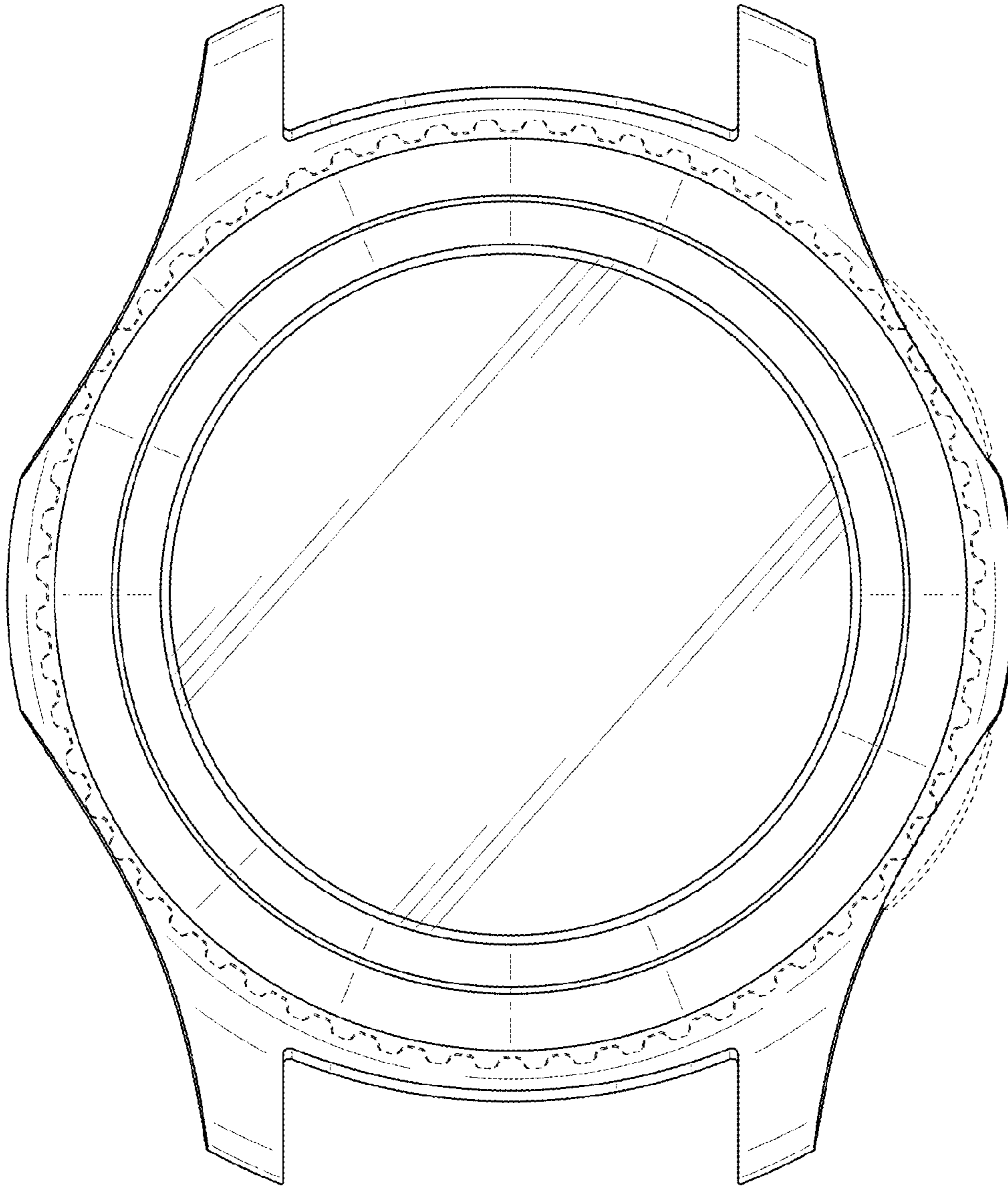


FIG. 3

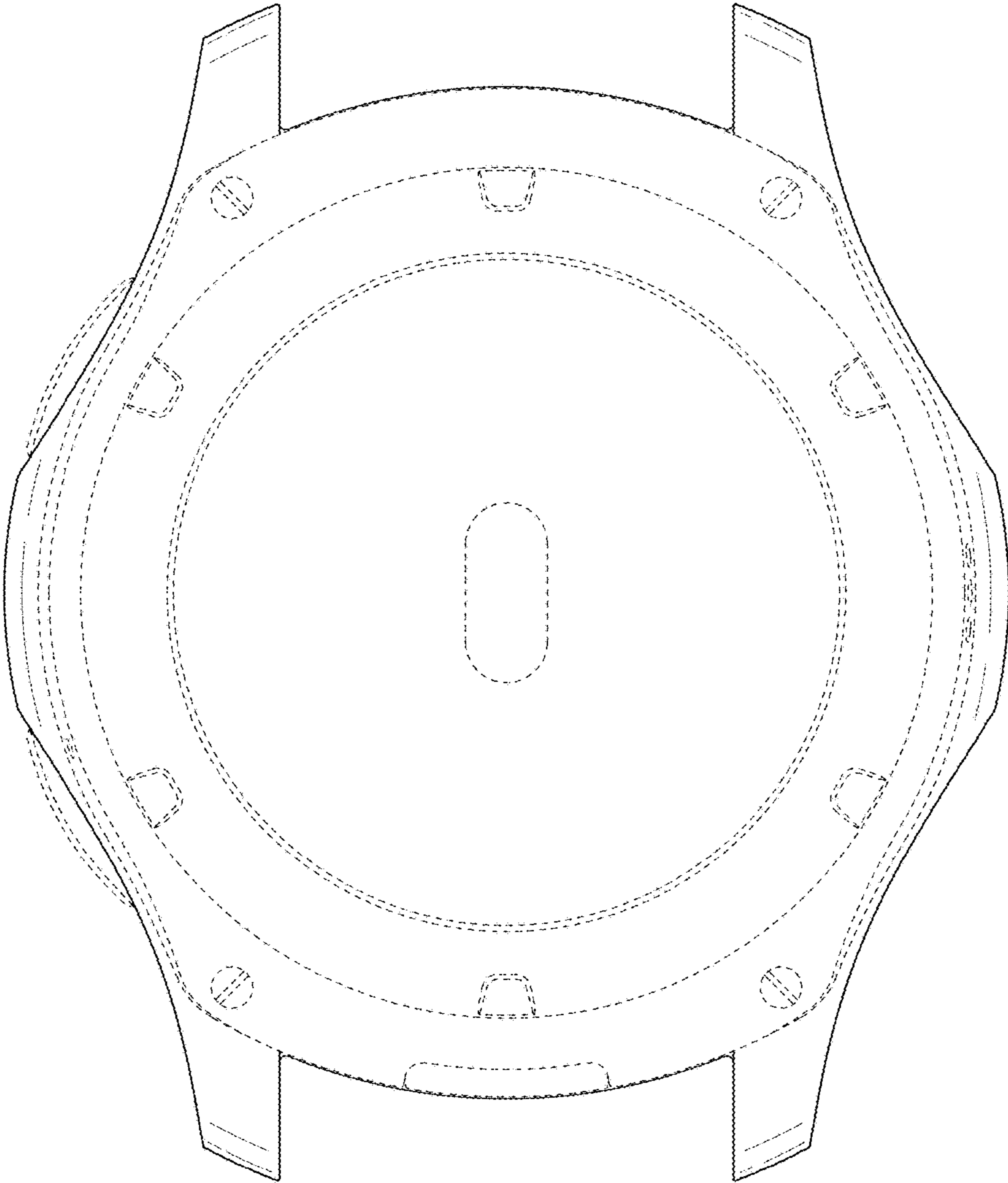


FIG. 4

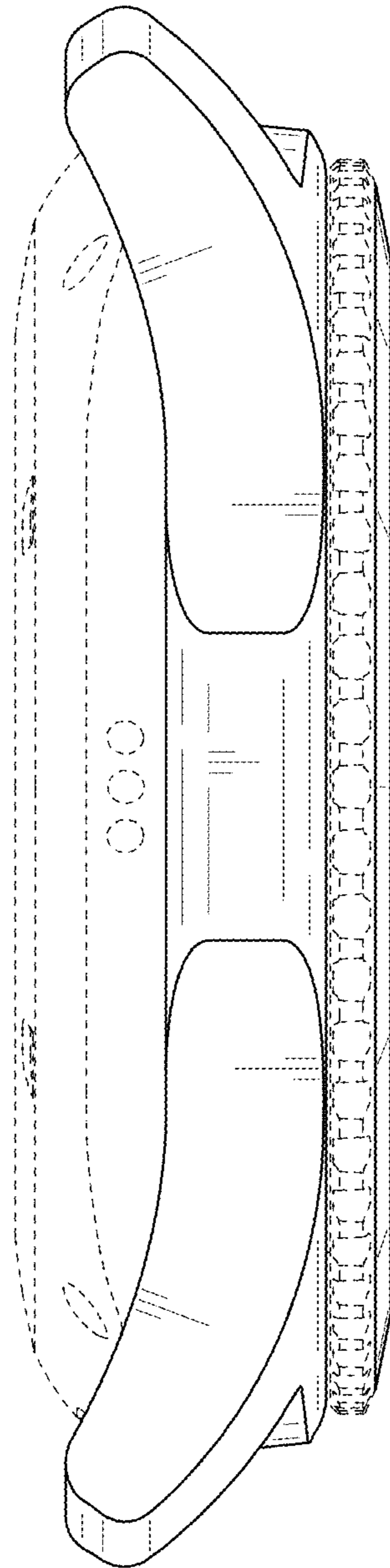


FIG. 5

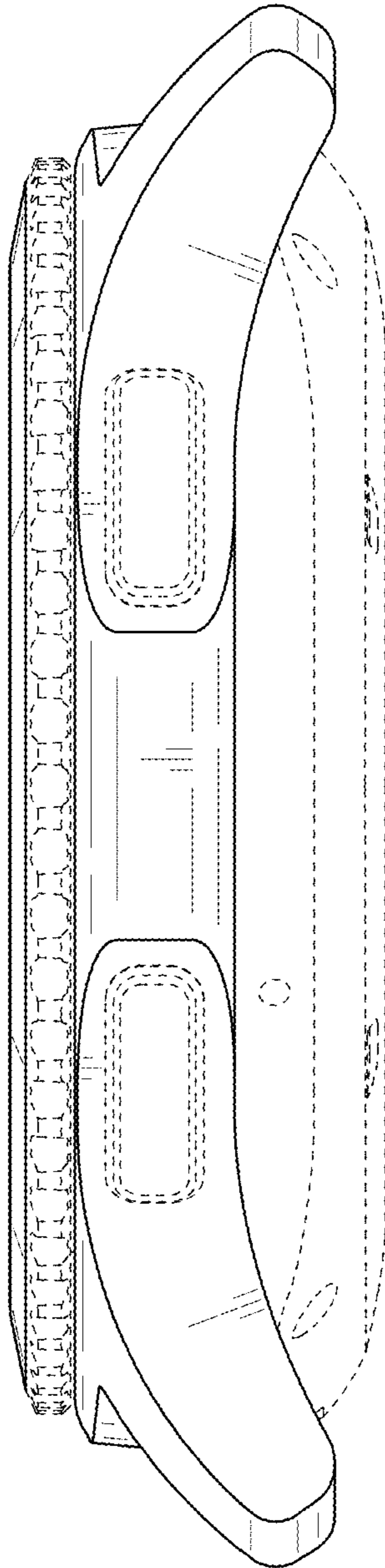


FIG. 6

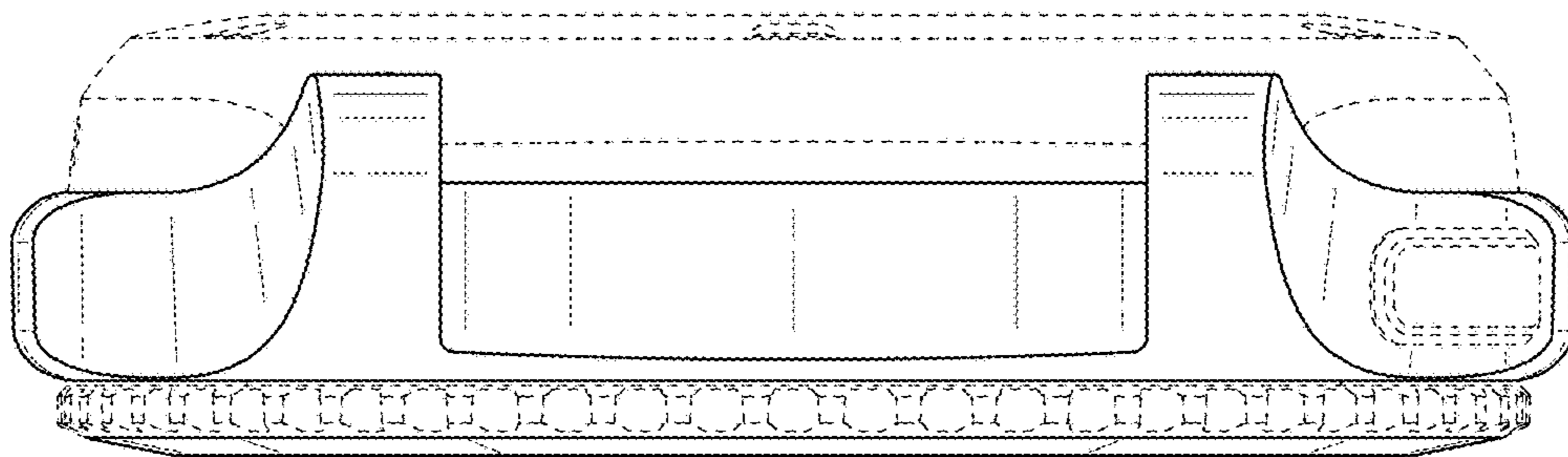


FIG. 7

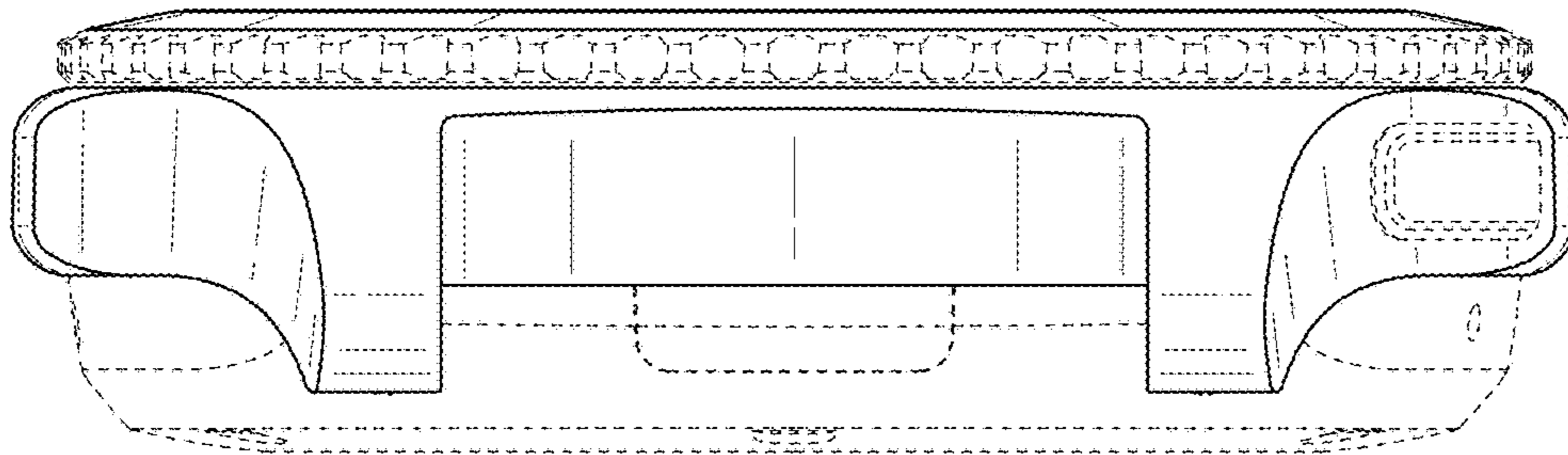


FIG. 8

