



US00D857004S

(12) **United States Design Patent** (10) **Patent No.:** **US D857,004 S**
Golino (45) **Date of Patent:** **** Aug. 20, 2019**

(54) **ELECTRONIC DEVICE FINGER GRIP**

(71) Applicant: **GRIP THAT FLIPS, LLC**, Sanford, FL (US)

(72) Inventor: **Mark Golino**, Sanford, FL (US)

(73) Assignee: **Grip that Flips, LLC**, Sanford, FL (US)

(**) Term: **15 Years**

(21) Appl. No.: **29/631,225**

(22) Filed: **Dec. 28, 2017**

(51) **LOC (12) Cl.** **14-03**

(52) **U.S. Cl.**
USPC **D14/253**

(58) **Field of Classification Search**

USPC D14/250–254, 172, 192, 203.3–203.7, D14/217, 224, 224.1, 229, 238, 238.1, D14/299, 447, 483, 451, 452, 434; D13/103, 107, 108, 119; D3/201, 218, D3/226; D16/242, 245; D10/74; D8/382, 349, 355, 363, 373, 394; D6/567; D12/415, 420, 114, 177, 223, D12/407, 417; D19/75, 77, 91
CPC .. H04M 1/026; H04M 1/0295; H04M 1/0279; H04M 1/0281; H04M 1/0283; H04B 1/3877; H04B 1/3883; H04B 1/3888; A45F 2200/0516; A45F 2200/0525; A45C 11/00; A45C 2011/002; A45C 13/1069;
(Continued)

(56) **References Cited**

U.S. PATENT DOCUMENTS

D324,610 S * 3/1992 Fox 16/DIG. 12
D365,622 S * 12/1995 Edwards D22/117
(Continued)

OTHER PUBLICATIONS

“The most dangerous case: 3 ways to weaponize your iPhone,”
Knucklecase pictured therein, online, post date Nov. 14, 2013,

<URL: <https://www.pcworld.com/article/2062826/the-most-dangerous-case-3-ways-to-weaponize-your-iphone.html> >, retrieved Mar. 12, 2019.*

(Continued)

Primary Examiner — Jeffrey D Asch
Assistant Examiner — Rebekah A Caruso

(74) *Attorney, Agent, or Firm* — McHale & Slavin, P.A.

(57) **CLAIM**

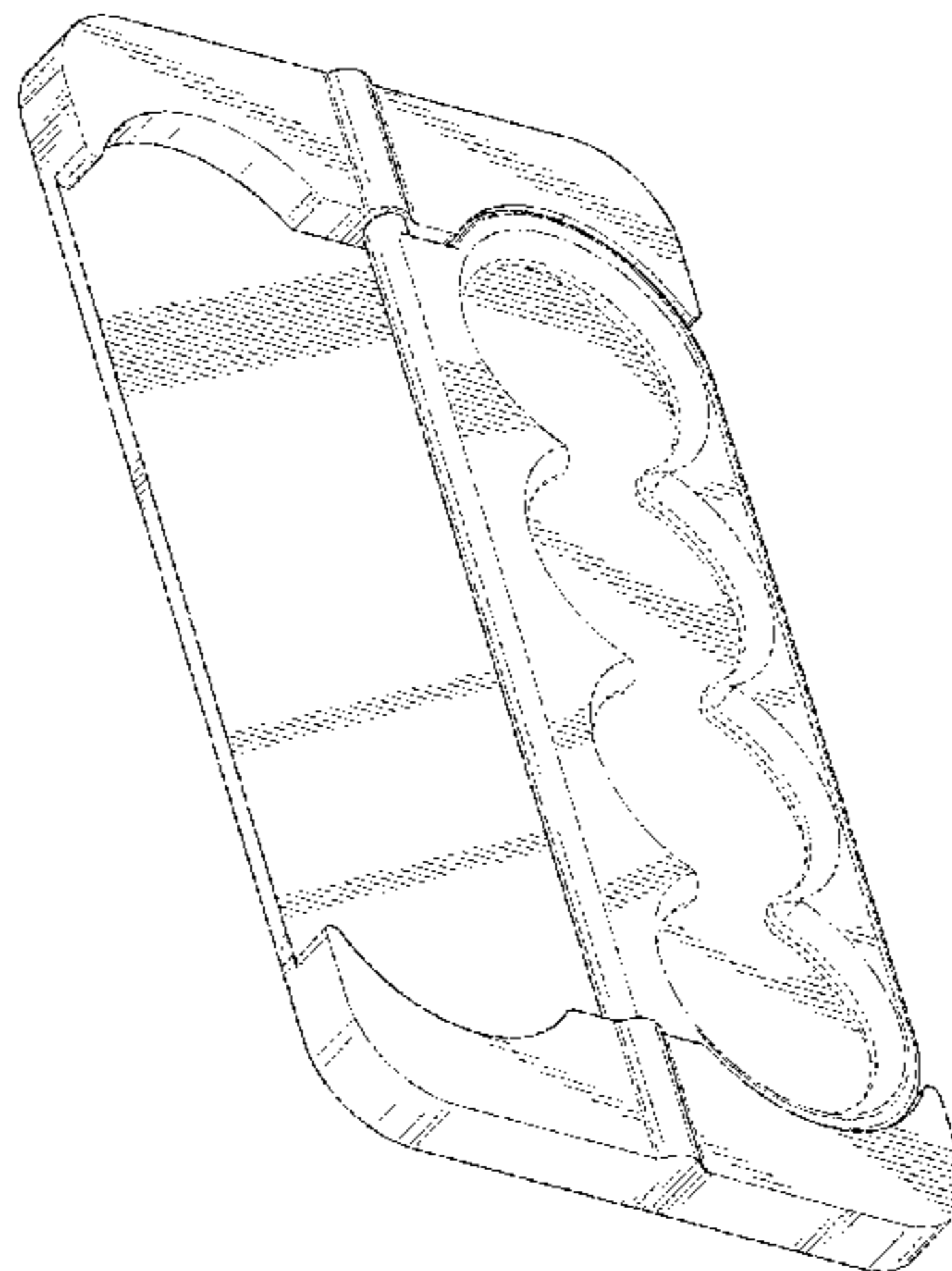
The ornamental design for an electronic device finger grip, as shown and described.

DESCRIPTION

FIG. 1 is a left perspective view of the electronic device finger grip of the present invention, shown with the hand grip in the down position;
FIG. 2 is a right perspective view thereof;
FIG. 3 is a perspective view illustrating the back surface;
FIG. 4 is a front view thereof;
FIG. 5 is a back view thereof;
FIG. 6 is a side view thereof, with the handgrip rotated away from the viewer;
FIG. 7 is a side view thereof, with the handgrip rotated toward the viewer;
FIG. 8 is a top view thereof;
FIG. 9 is a bottom view thereof;
FIG. 10 is an environmental view of the electronic device finger grip secured to a cell phone and resting on a table, shown with the hand grip in the lifted position; and,
FIG. 11 is an environmental view of the electronic device finger grip secured to a cell phone and shown placed in a hand of a user.

The portions of the electronic device finger grip and the environment in FIGS. 10 and 11 illustrated in broken lines form no part of the claimed subject matter. The dash-dot-dash broken lines shown in the figures represent the bounds of the claim and form no part thereof.

1 Claim, 9 Drawing Sheets



(58) **Field of Classification Search**

CPC H05K 5/02; H05K 5/0204; H05K 5/0073;
H05K 7/14; F16M 13/00; F16M 13/02;
F16M 13/022; B60R 11/00; B60R 11/02;
B60R 11/0241; B60R 11/0258

See application file for complete search history.

(56) **References Cited**

U.S. PATENT DOCUMENTS

D491,999 S * 6/2004 Scott D22/142
6,913,159 B1 * 7/2005 Goldberg B65D 23/106
215/395
D651,205 S * 12/2011 Soekoro D14/250
8,069,570 B2 * 12/2011 Taylor B26B 29/025
224/232
D668,962 S * 10/2012 Middleton D9/531
D674,380 S * 1/2013 Soekoro D14/250

D728,725 S * 5/2015 Anderson D22/108
D729,787 S * 5/2015 Soekoro D14/250
D738,569 S * 9/2015 Saide D22/117
D739,141 S * 9/2015 Gabrielyan D3/282
D742,956 S * 11/2015 Klinger D16/243
D750,516 S * 3/2016 Myers D10/80
D776,024 S * 1/2017 Jordan D12/179
D793,495 S * 8/2017 Ffrench D21/684
D812,813 S * 3/2018 Stephenson D28/22
D837,781 S * 1/2019 Ingram D14/250
D842,290 S * 3/2019 Robertson D14/250

OTHER PUBLICATIONS

“6 ways to get a better grip on your phone,” online, post date Jul. 17, 2017, <URL: <https://www.cnet.com/how-to/ways-to-get-a-better-grip-on-your-phone/> >, retrieved Mar. 12, 2019.*

* cited by examiner

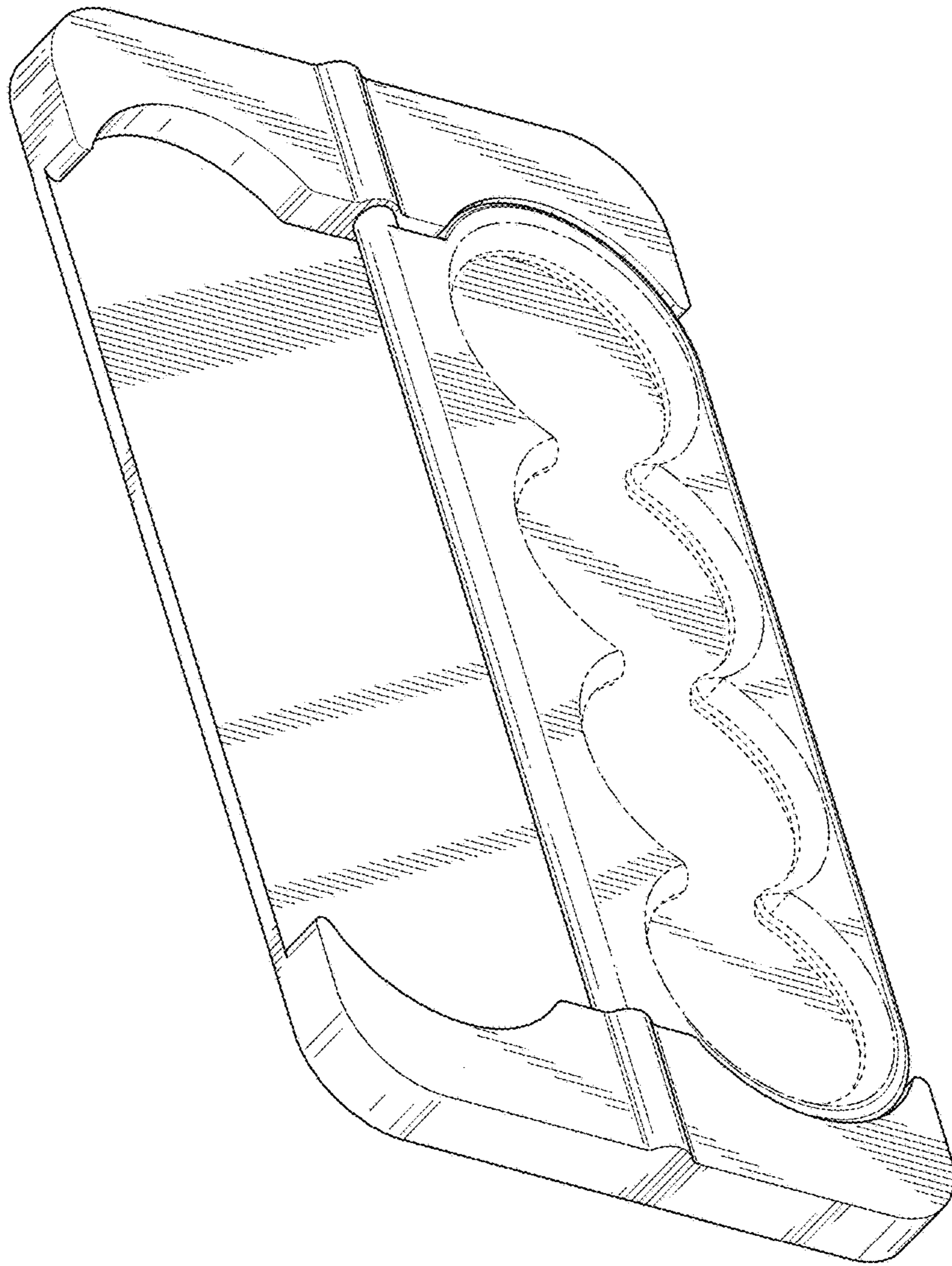


FIG. 1

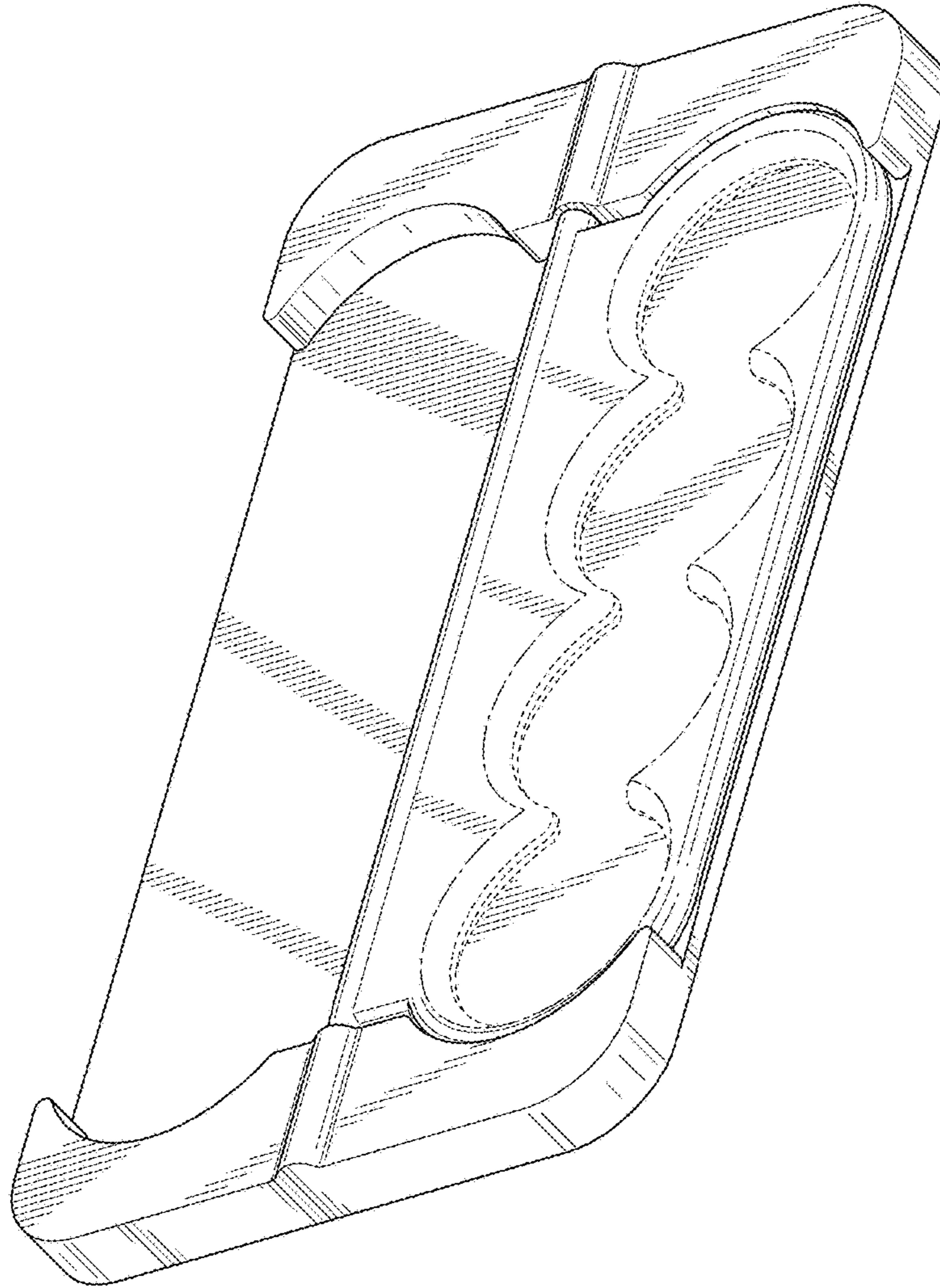


FIG. 2

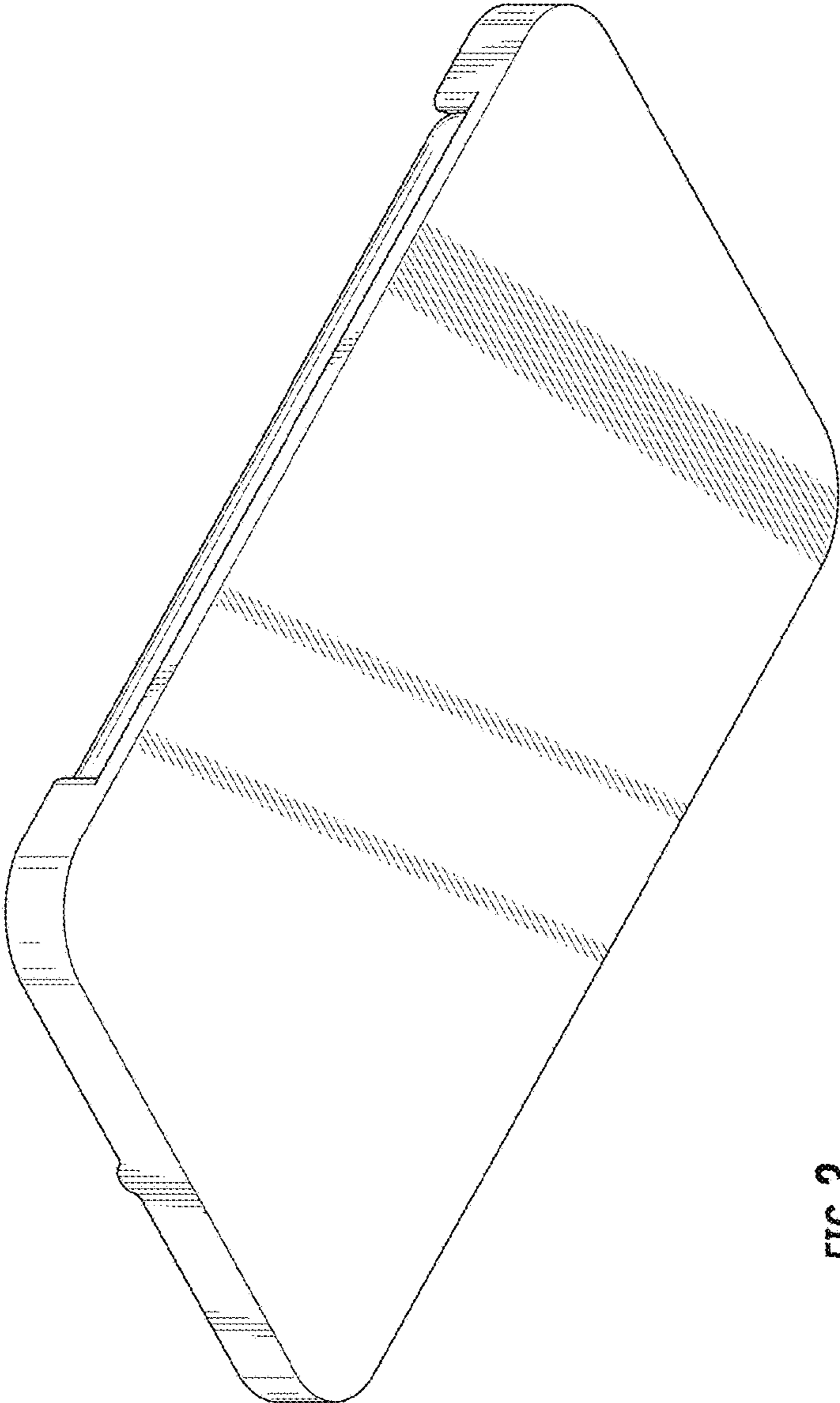


FIG. 3

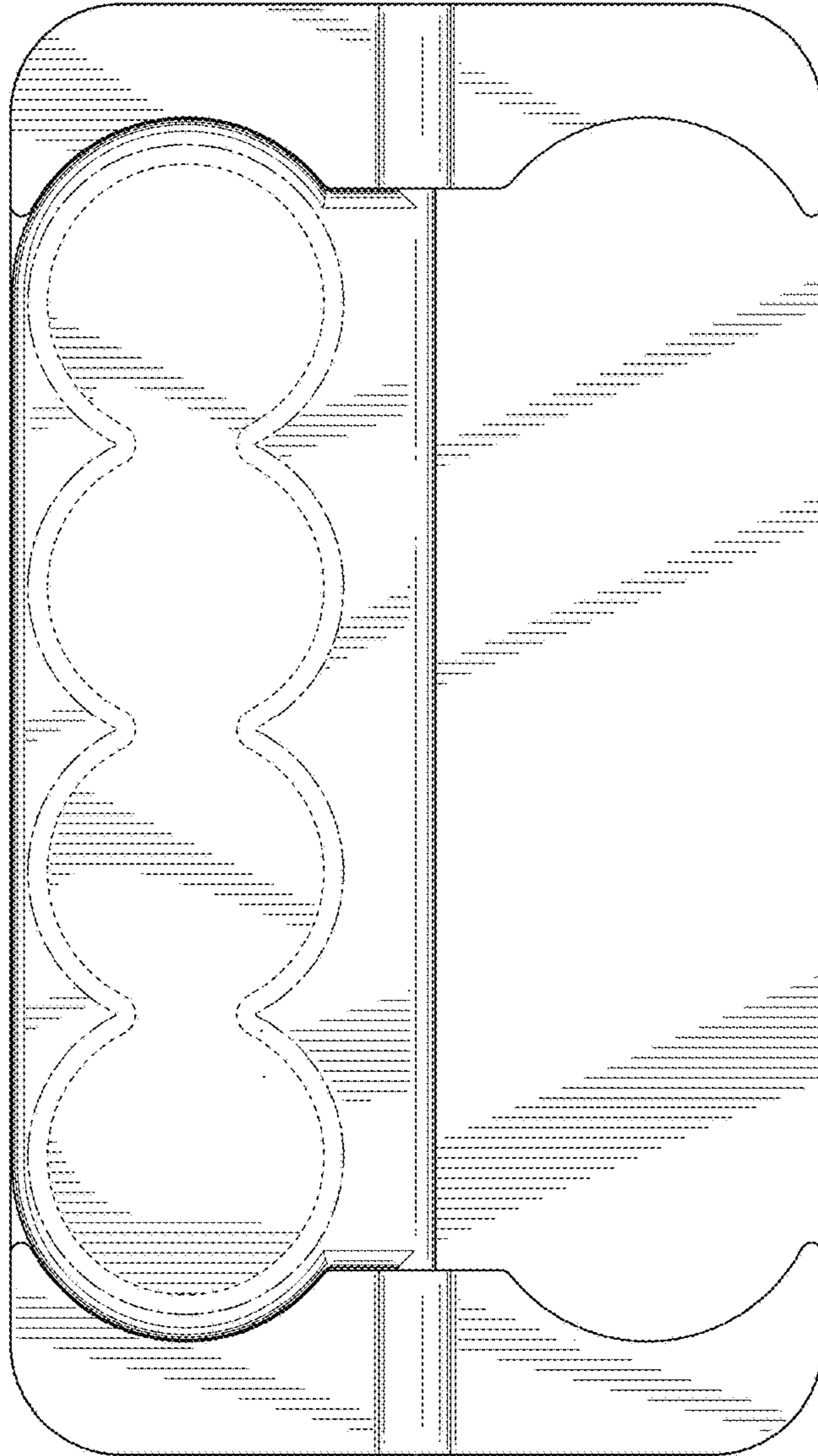


FIG. 4

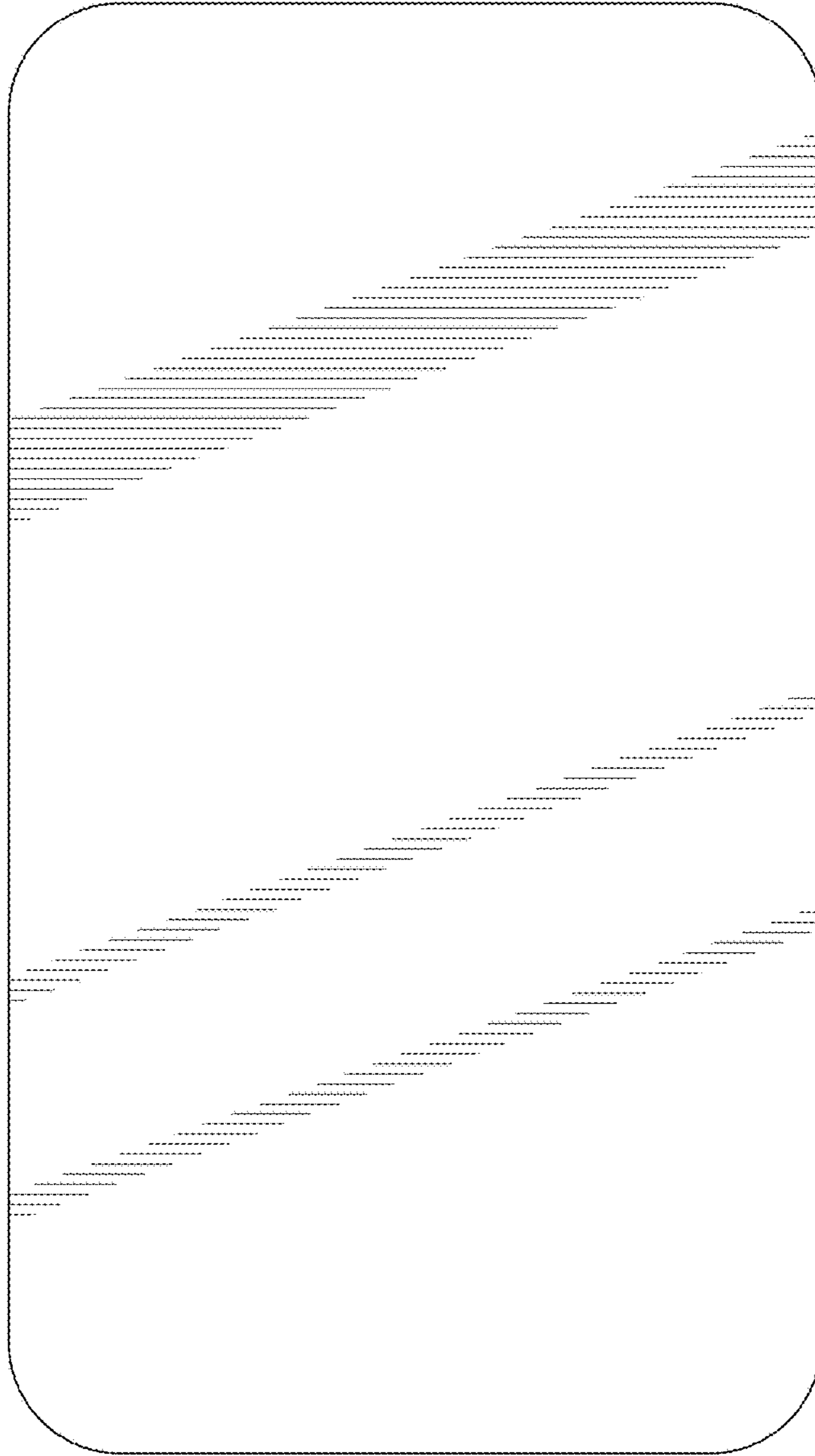


FIG. 5

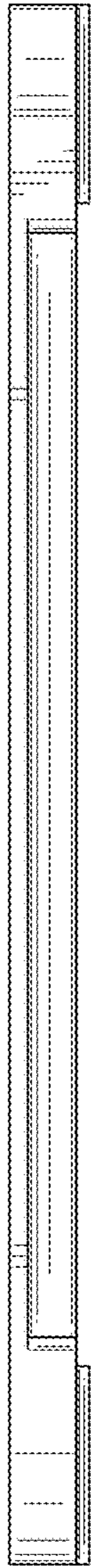


FIG. 6

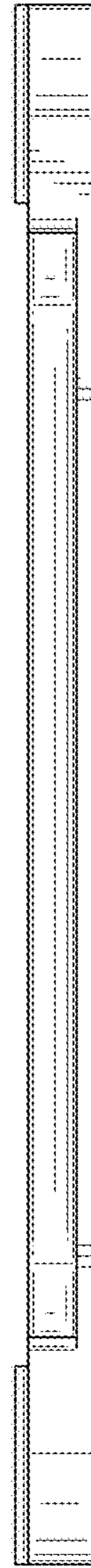


FIG. 7

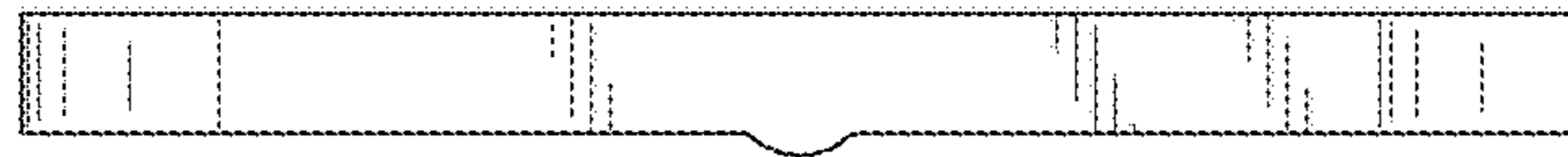


FIG. 8

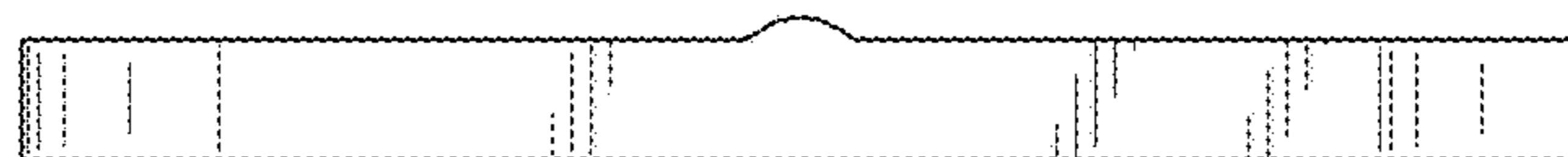


FIG. 9

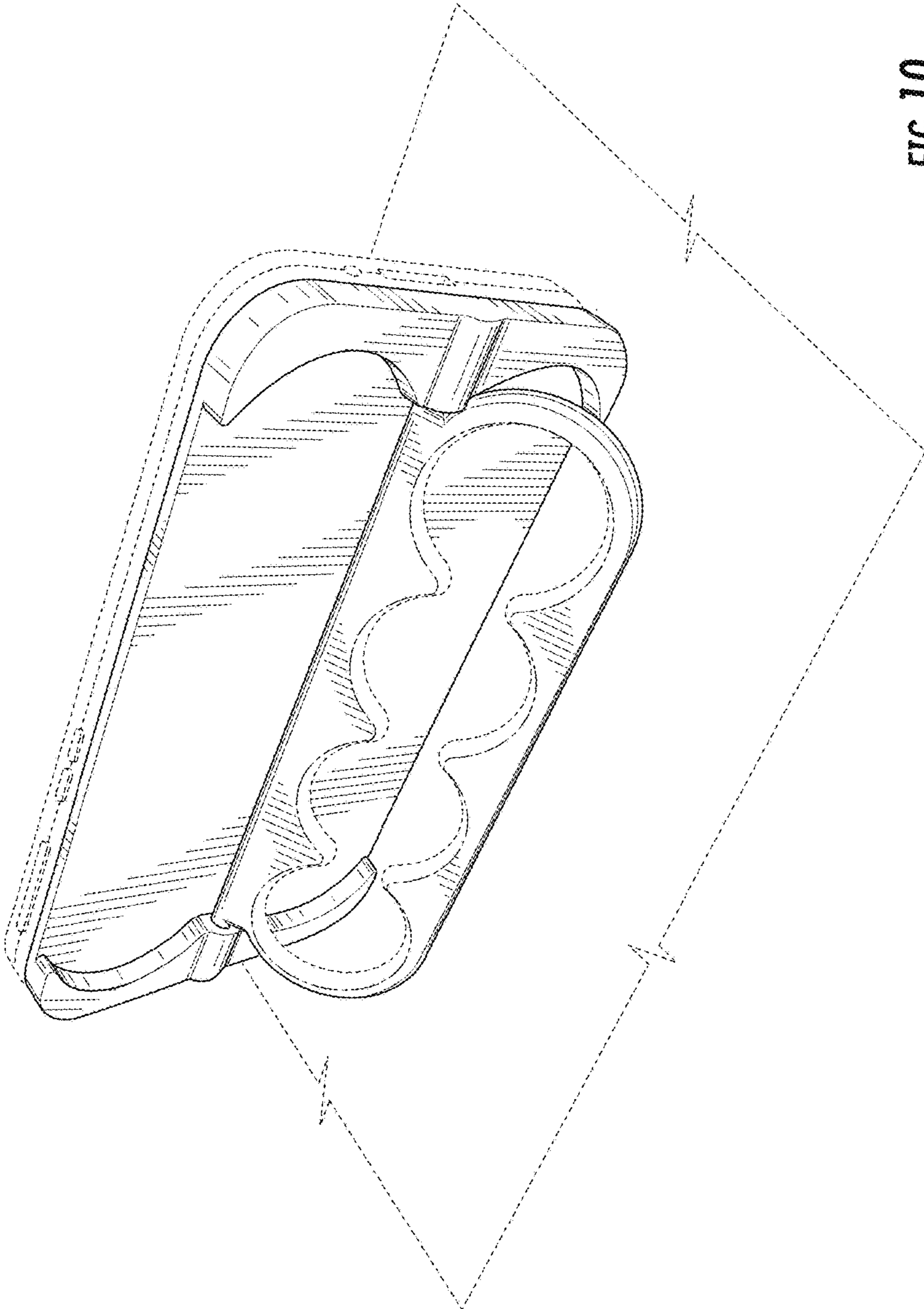


FIG. 10

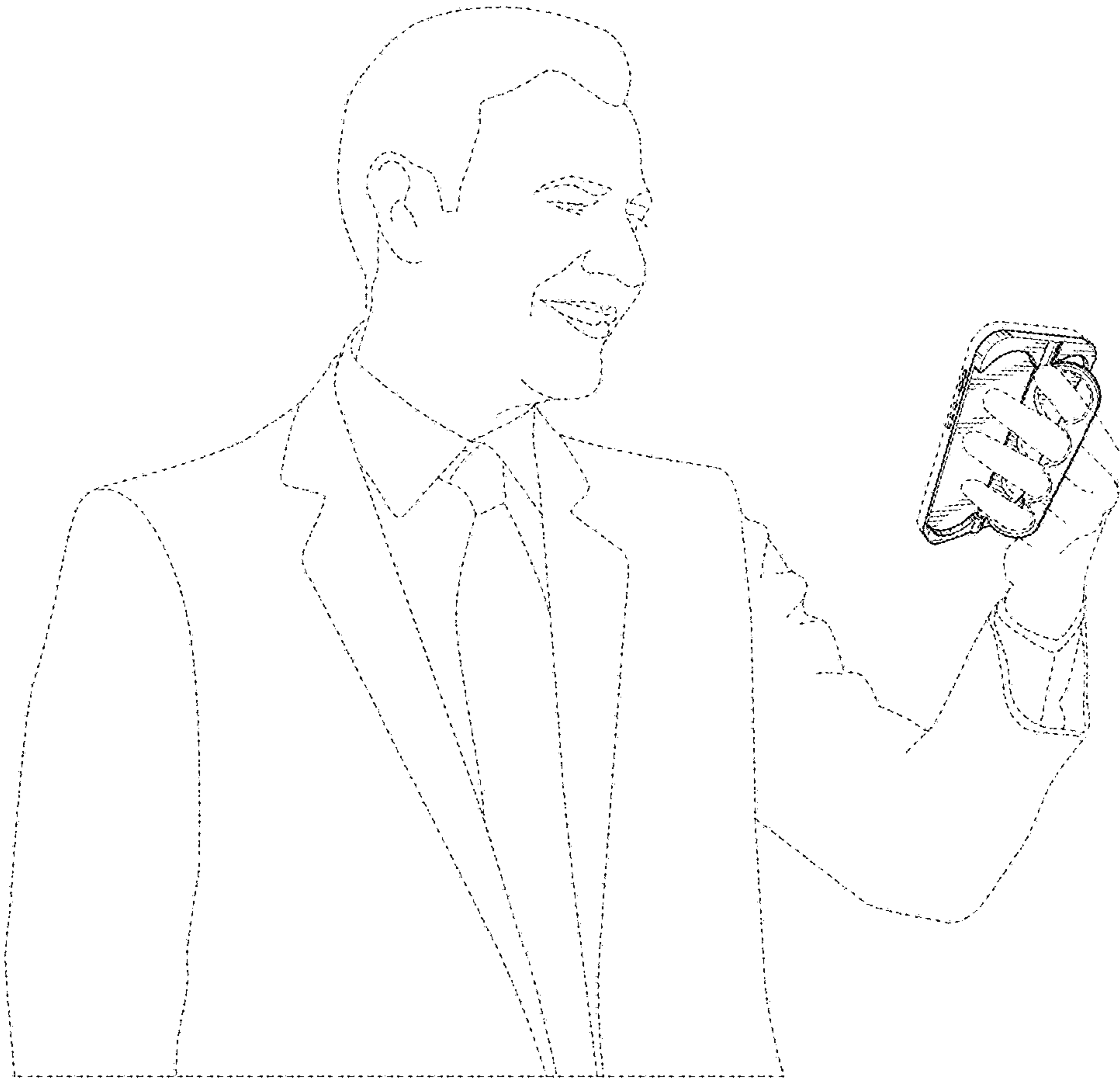


FIG. 11