



US00D856998S

(12) **United States Design Patent** (10) **Patent No.:** **US D856,998 S**
Jung (45) **Date of Patent:** **** Aug. 20, 2019**

(54) **CASE FOR ELECTRONIC COMMUNICATIONS DEVICE**

(71) Applicant: **SPIGEN KOREA CO., LTD.**, Seoul (KR)

(72) Inventor: **Soo Ha Jung**, Seoul (KR)

(73) Assignee: **SPIGEN KOREA CO., LTD.**, Seoul (KR)

(**) Term: **15 Years**

(21) Appl. No.: **29/617,801**

(22) Filed: **Sep. 15, 2017**

(51) **LOC (12) Cl.** **14-03**

(52) **U.S. Cl.**
USPC **D14/250**

(58) **Field of Classification Search**
USPC D3/218, 232, 233, 239, 242, 245–251, D3/269, 273, 301, 303; D13/103, 107, D13/108, 119; D14/137, 138 R, 138 AA, D14/138 C, 138 G, 203.3–203.7, 217, D14/238.1, 247, 248, 250, 251–253, 440
CPC H04B 1/3888; H04M 1/0283; H04M 1/0202; A45C 1/06; A45C 2011/002; A45C 11/00; A45F 2005/028; A45F 2200/0525

See application file for complete search history.

(56) **References Cited**

U.S. PATENT DOCUMENTS

D528,110 S * 9/2006 Cohn D14/248
7,301,759 B2 * 11/2007 Hsiung H05K 5/0234
248/188

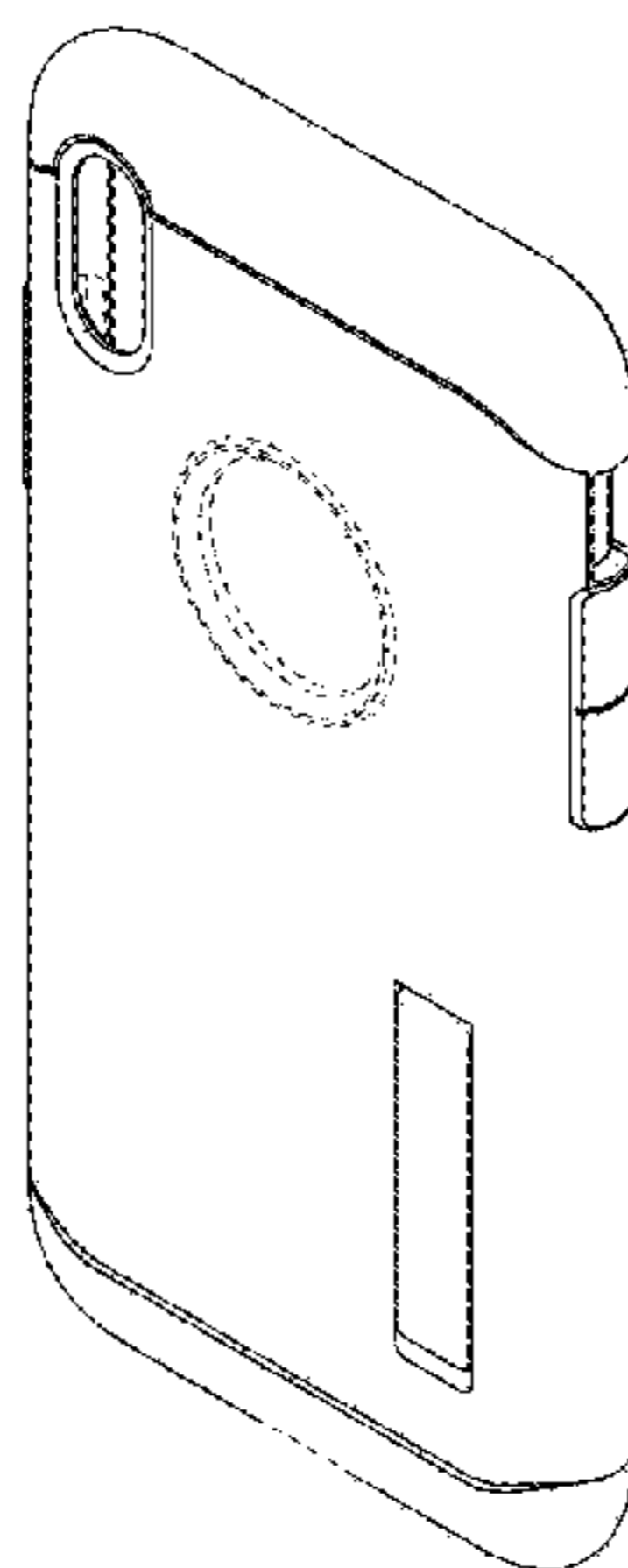
D620,000 S * 7/2010 Bau D14/250
D625,303 S 10/2010 Kim
D632,685 S 2/2011 Richardson
D643,029 S 8/2011 Feng
D656,135 S * 3/2012 Swartz D14/238.1
D656,495 S * 3/2012 Andre D14/250
D657,782 S 4/2012 Biller
D671,933 S * 12/2012 Rodgers D14/250
D673,547 S 1/2013 Melanson
D676,844 S 2/2013 Weller

D677,265 S * 3/2013 Lu D14/451
D679,271 S 4/2013 Liu
D681,022 S 4/2013 Chang
D686,199 S * 7/2013 Fahrendorff D14/250
8,517,172 B1 8/2013 Chang
D689,852 S 9/2013 Azoulay
D703,652 S 4/2014 Melanson
D703,653 S 4/2014 Brubaker et al.
D703,655 S 4/2014 Melanson
D704,688 S 5/2014 Reivo
D705,769 S * 5/2014 Esses D14/250
D706,254 S 6/2014 Chang
D714,274 S 9/2014 Jung
D717,774 S 11/2014 Fathollahi
D717,778 S 11/2014 Zermeno
D717,779 S * 11/2014 Dong D14/250
D732,543 S * 6/2015 Westrup D14/447
D736,205 S 8/2015 Park
D739,391 S 9/2015 Chen
D741,279 S 10/2015 Tai
D745,505 S * 12/2015 Barfoot D14/250
D745,866 S * 12/2015 Adelman D14/250
D753,099 S 4/2016 Kim
D763,842 S 8/2016 Chang et al.
D766,885 S * 9/2016 Armstrong D14/250
D767,553 S 9/2016 Fathollahi
D771,028 S 11/2016 Kim
D771,607 S 11/2016 Kim
D771,608 S 11/2016 Kim et al.
D772,209 S 11/2016 Kim
D772,856 S * 11/2016 Taylor D14/250
D776,104 S 1/2017 Tien
D776,649 S * 1/2017 Kim D14/250
D780,166 S 2/2017 Lin
D780,167 S 2/2017 Tien
D786,230 S * 5/2017 Yang D14/250
9,661,116 B1 5/2017 Chung
2012/0018323 A1 1/2012 Johnson
2014/0153176 A1 * 6/2014 Ashcraft G06F 1/1656
361/679.21

2016/0101902 A1 4/2016 Kim
2016/0204817 A1 7/2016 Kim
2016/0269516 A1 9/2016 Kim
2016/0285301 A1 9/2016 Kim
2016/0285497 A1 * 9/2016 Roberts A45F 5/00

OTHER PUBLICATIONS

“Spigen Slim Armor Galaxy Note 5 Case with Air Cushion Technology and Hybrid Drop Protection for Galaxy Note 5 2015—Metal Slate”, <https://www.amazon.com/dp/B010MWHIKA>, Earliest review date of Aug. 21, 2015, Downloaded on Jul. 18, 2018.



“Spigen Slim Armor Galaxy Note 4 Case with Air Cushion Technology and Hybrid Drop Protection for Samsung Galaxy Note 4 2014—Shimmery White”, <https://www.amazon.com/dp/B00MAWQPJQ>, Earliest review date of Oct. 7, 2014, Downloaded on Jul. 30, 2018.

“Spigen Slim Armor Galaxy S5 Case with Air Cushion Technology and Hybrid Drop Protection for Samsung Galaxy S5 2014—Metal Slate”, <https://www.amazon.com/dp/B00I3UWD7C>, Earliest review date of Apr. 11, 2014, Downloaded on Sep. 18, 2018.

“Spigen Slim Armor Galaxy S6 Case with Air Cushion Technology and Hybrid Drop Protection with Kickstand for Samsung Galaxy S6 (2015)—Shimmery White”, <https://www.amazon.com/dp/B00QU4NQMY>, Earliest review date of Mar. 21, 2015, Downloaded on Sep. 18, 2018.

Spigen Slim Armor Galaxy S6 Edge Case with Kickstand and Air Cushion Technology and Hybrid Drop Protection for Galaxy S6 Edge 2015—Gunmetal, <https://www.amazon.com/dp/B00SV638ZE>, Earliest review date of Apr. 3, 2015, Downloaded on Sep. 18, 2018.

“Spigen Slim Armor Galaxy S7 Case with Air Cushion Technology and Hybrid Drop Protection for Samsung Galaxy S7 2016—Violet”, <https://www.amazon.com/dp/B01AUR1D8K>, Earliest review date of Mar. 2, 2016, Downloaded on Sep. 18, 2018.

“Spigen Slim Armor Galaxy S7 Edge Case with Kickstand and Air Cushion Technology and Hybrid Drop Protection for Samsung Galaxy S7 Edge 2016—Champagne Gold”, <https://www.amazon.com/dp/B01BEBBWY6>, Earliest review date of Feb. 26, 2016, Downloaded on Sep. 18, 2018.

“Spigen Slim Armor HTC 10 Case with Kickstand and Air Cushion Technology Hybrid Drop Protection for HTC 10 2016—Champagne Gold”, <https://www.amazon.com/dp/B01DAN2WTA>, Earliest review date of May 6, 2016, Downloaded on Jan. 16, 2019.

“Spigen Slim Armor HTC One M9 Case with Kickstand and Air Cushion Technology Hybrid Drop Protection for HTC One M9 2015—Metal Slate”, <https://www.amazon.com/dp/B00SNOTASI>, Earliest review date of Mar. 31, 2015, Downloaded on Jan. 16, 2019.

“Spigen Slim Armor iPhone 6 Case with Air Cushion Technology and Hybrid Drop Protection for iPhone 6 2014—Gunmetal”, <https://www.amazon.com/dp/B00JH88GB6>, earliest review date of Aug. 13, 2014, Downloaded on Sep. 18, 2018.

“Spigen Slim Armor iPhone 6 Plus Case with Air Cushion Technology and Hybrid Drop Protection for iPhone 6S Plus/iPhone 6 Plus—Shimmery White”, <https://www.amazon.com/dp/B00JH83C6U>, Earliest review date of Sep. 12, 2014, Downloaded on Sep. 18, 2018.

“Spigen Slim Armor iPhone 6S Case with Kickstand and Air Cushion Technology Hybrid Drop Protection for iPhone 6S 2015—Rose Gold”, <https://www.amazon.com/dp/B012PKFAQ6>, Earliest review date of Sep. 1, 2015, Downloaded on Sep. 18, 2018.

“Spigen Slim Armor iPhone 7/iPhone 8 Case with Kickstand and Air Cushion Technology Hybrid Drop Protection for Apple iPhone 7 (2016)/iPhone 8 (2017)—Black”, <https://www.amazon.com/dp/B01HMY5WKY>, Earliest review date of Sep. 12, 2016, Downloaded on Sep. 18, 2018.

“Spigen Slim Armor iPhone SE Case with Air Cushion Technology and Hybrid Drop Protection for iPhone SE 2016—Rose Gold”, <https://www.amazon.com/dp/B01BEJOH5E>, Earliest review date of Apr. 6, 2016, Downloaded on Jan. 16, 2019.

“Spigen Slim Armor iPhone SE/5S/5 Case with Advanced Drop Protection and Dual Layer Design for iPhone SE/iPhone 5S/iPhone 5—Metal Slate”, <https://www.amazon.com/dp/B00DD62R40>, Earliest review date of Aug. 2, 2013, Downloaded on Sep. 18, 2018.

“Spigen Slim Armor LG G3 Case with Air Cushion Technology and Hybrid Drop Protection for LG G3 2014—Metal Slate”, <https://www.amazon.com/dp/B00JQI2G5O>, Earliest review date of Jul. 9, 2014, Downloaded on Jan. 16, 2019.

“Spigen Slim Armor LG G5 Case with Air Cushion Technology and Hybrid Drop Protection for LG G5 2016—Shimmery White”, <https://www.amazon.com/dp/B01B1GQIHA>, Earliest review date of Apr. 7, 2016, Downloaded on Sep. 18, 2018.

“Spigen Slim Armor LG V10 Case with Air Cushion Technology and Hybrid Drop Protection for LG V10—Gunmetal”, <https://www.amazon.com/dp/B016X1FODW>, Earliest review date of Nov. 16, 2015, Downloaded on Sep. 18, 2018.

amazon.com/dp/B016X1FODW, Earliest review date of Nov. 16, 2015, Downloaded on Sep. 18, 2018.

“Spigen Slim Armor Nexus 5 Case with Air Cushion Technology and Hybrid Drop Protection for Nexus 5 2013—Infinity White”, <https://www.amazon.com/dp/B00EV8Y7XI>, Earliest review date of Nov. 4, 2013, Downloaded on Jan. 16, 2019.

“Spigen Slim Armor View Galaxy S5 Case with Automatic Sleep/Wake Feature for Samsung Galaxy S5 2014—View Smooth White”, <https://www.amazon.com/dp/B00KGG02EI>, Earliest review date of Jan. 18, 2014, Downloaded on Jan. 16, 2019.

* cited by examiner

Primary Examiner — Susan E Krakower

Assistant Examiner — L. A. Grabenstetter

(74) *Attorney, Agent, or Firm* — Heedong Chae; Lucem, PC

(57) CLAIM

The ornamental design for a case for electronic communications device, as shown and described.

DESCRIPTION

FIG. 1 is a front perspective view of a case for electronic communications device, showing my new design;

FIG. 2 is a rear perspective view thereof, with the support leg shown in a retracted position;

FIG. 3 is a second rear perspective view thereof, with the support leg shown in an extended position;

FIG. 4 is a front elevational view thereof;

FIG. 5 is a rear elevational view thereof;

FIG. 6 is a left side elevational view thereof;

FIG. 7 is a right side elevational view thereof;

FIG. 8 is a top plan view thereof; and

FIG. 9 is a bottom plan view thereof;

FIG. 10 is a front perspective view of the inner shell component of the case, shown isolated for clarity of disclosure;

FIG. 11 is a rear perspective view of the inner shell component of the case, shown isolated for clarity of disclosure;

FIG. 12 is a front perspective view of the outer frame component of the case, shown isolated for clarity of disclosure;

FIG. 13 is a rear perspective view of the outer frame component of the case, shown isolated for clarity of disclosure;

FIG. 14 is a front perspective view of the support leg component of the case, shown isolated for clarity of disclosure;

FIG. 15 is a rear perspective view of the support leg component of the case, shown isolated for clarity of disclosure;

FIG. 16 is an exploded front perspective view of the components of the case, which are shown separated for clarity of disclosure; and,

FIG. 17 is an exploded rear perspective view of the components of the case, which are shown separated for clarity of disclosure.

The case for electronic communications device, in which the claimed design is embodied, consists of an outer frame component, an inner shell component, and a support leg component. However, the claim is directed to the overall ornamental appearance of the case for electronic communi-

cations device in its entirety and does not extend to the ornamental appearance of each of the individual components.

The broken lines and regions bounded by broken lines depict portions of the case for electronic communications device that form no part of the claimed design. The interior of the inner shell of the case shown in FIGS. 1, 4, 10 and 16 forms no part of the claimed design.

1 Claim, 17 Drawing Sheets

FIG. 1

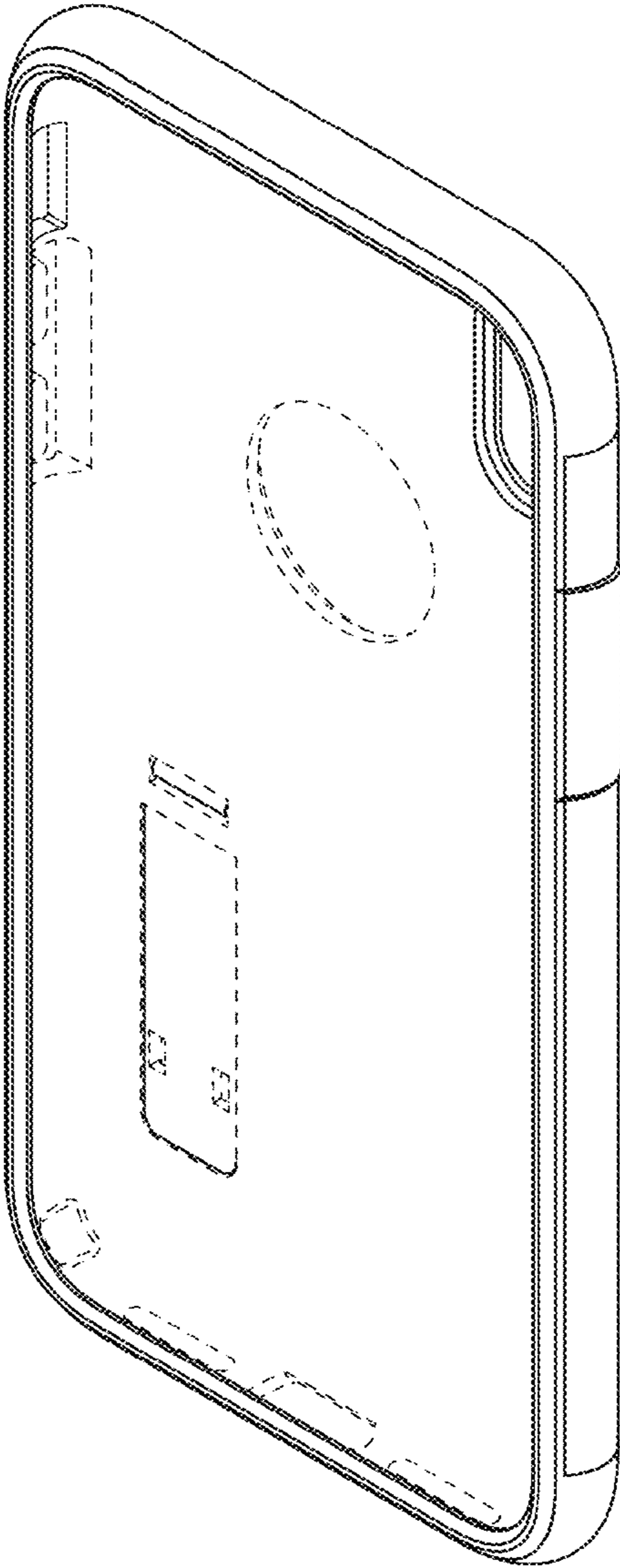


FIG. 2

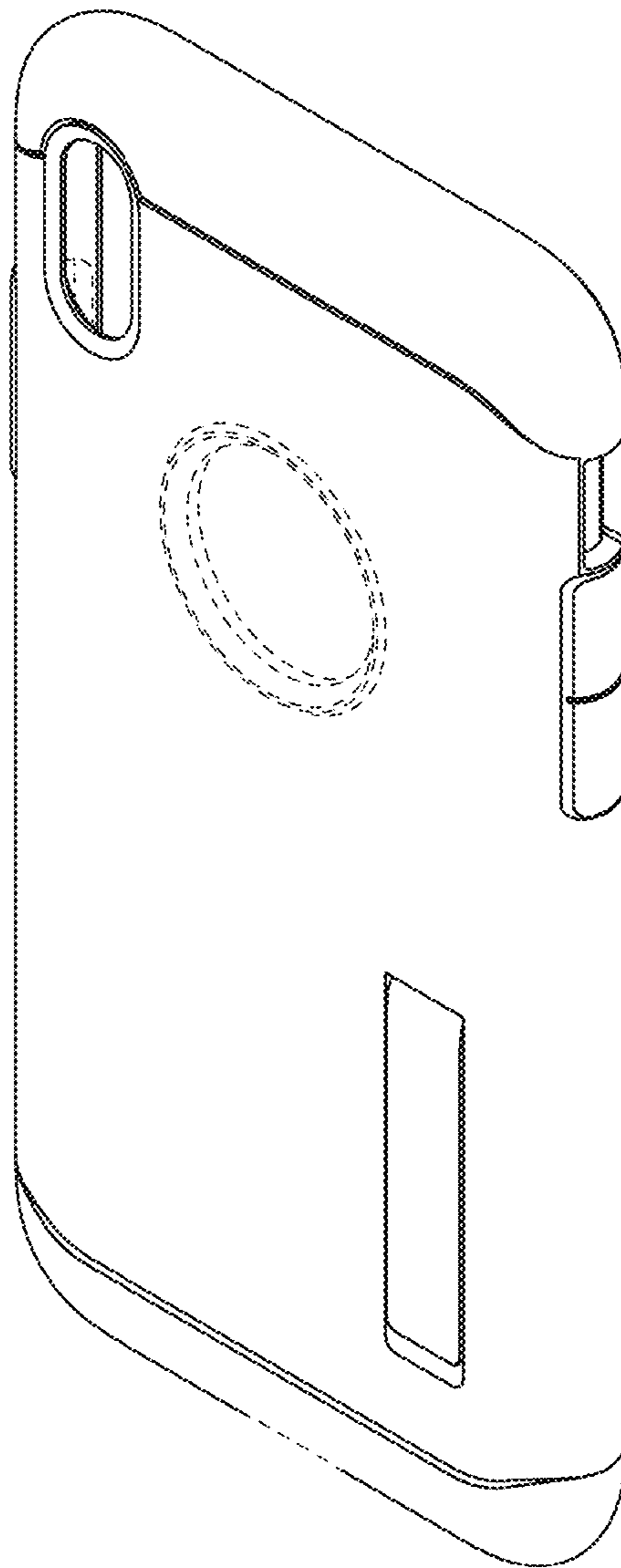


FIG. 3

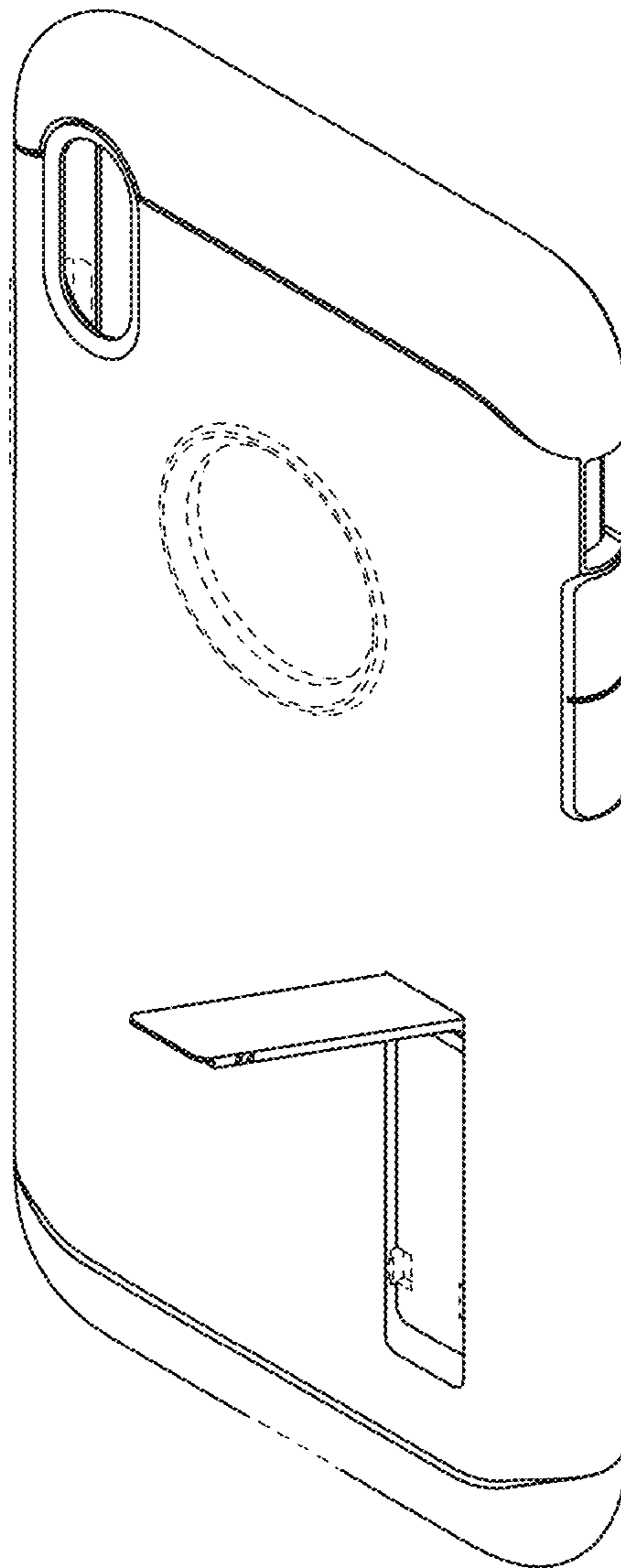


FIG. 4

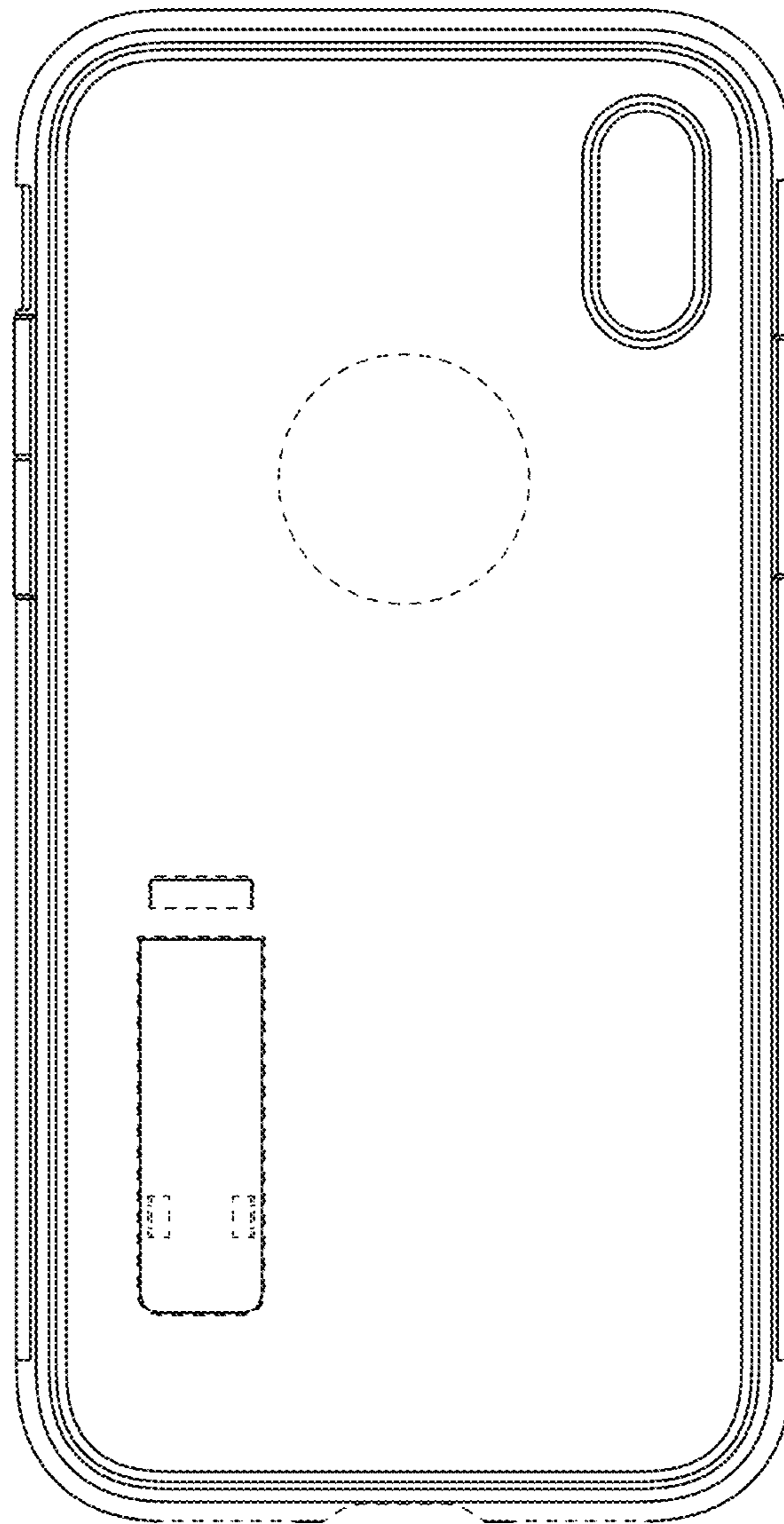


FIG. 5

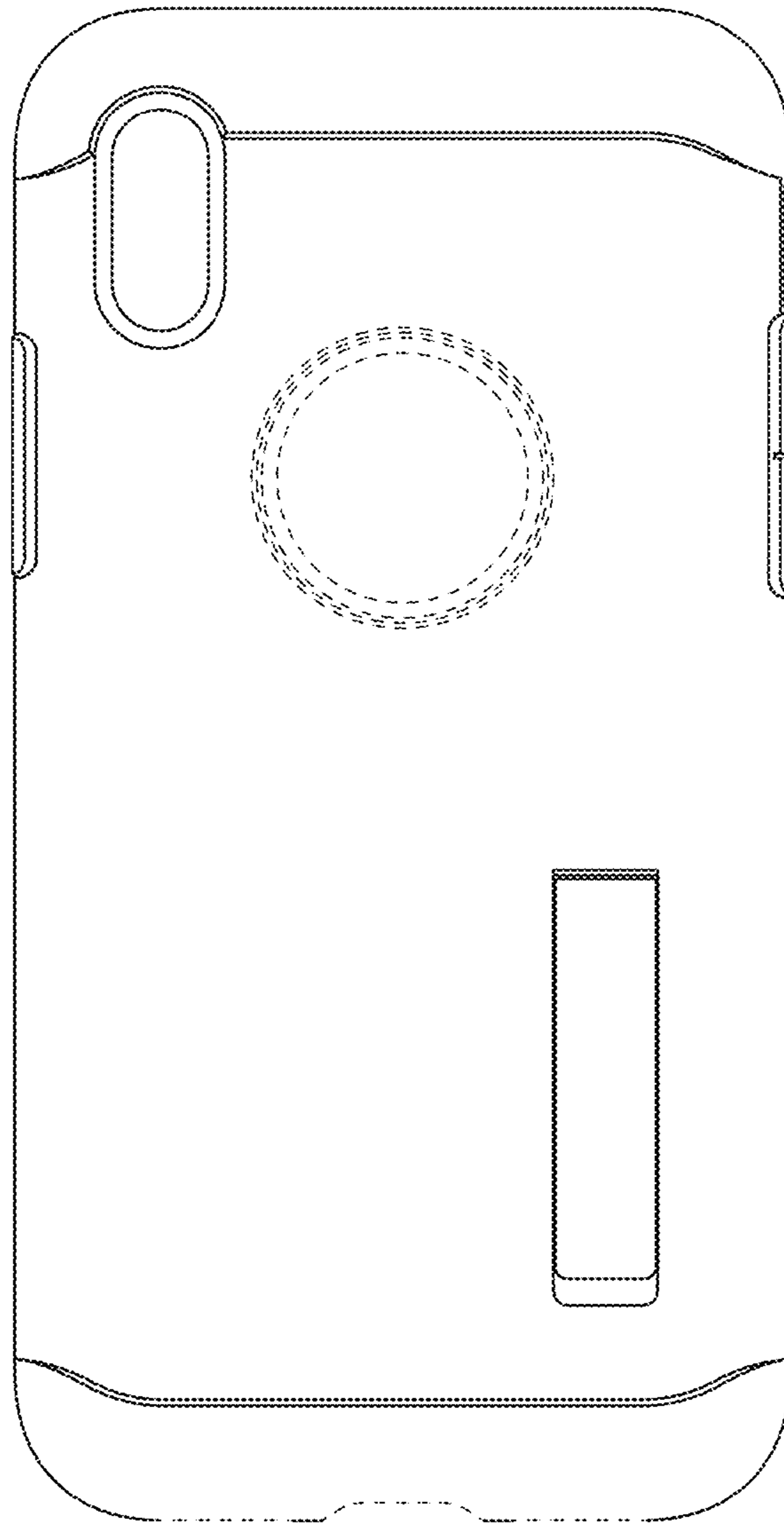


FIG. 6

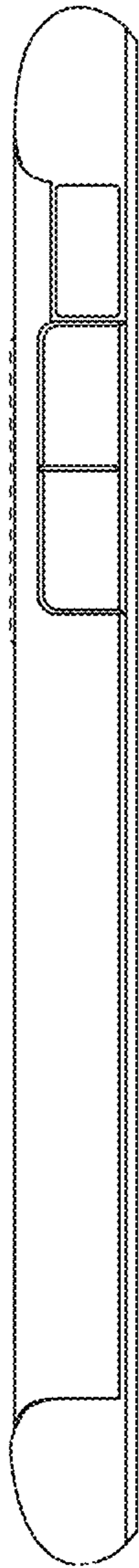


FIG. 7

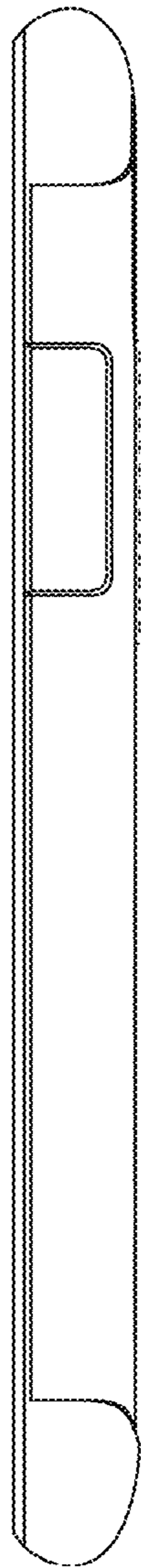


FIG. 8



FIG. 9

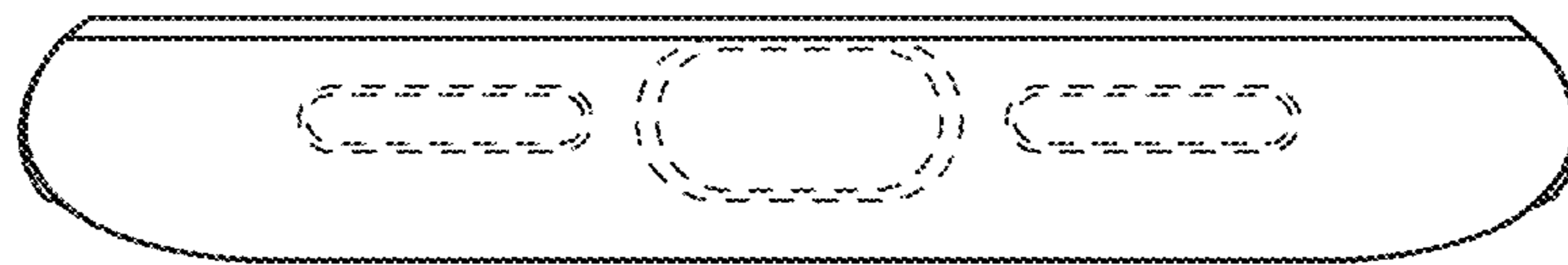


FIG. 10

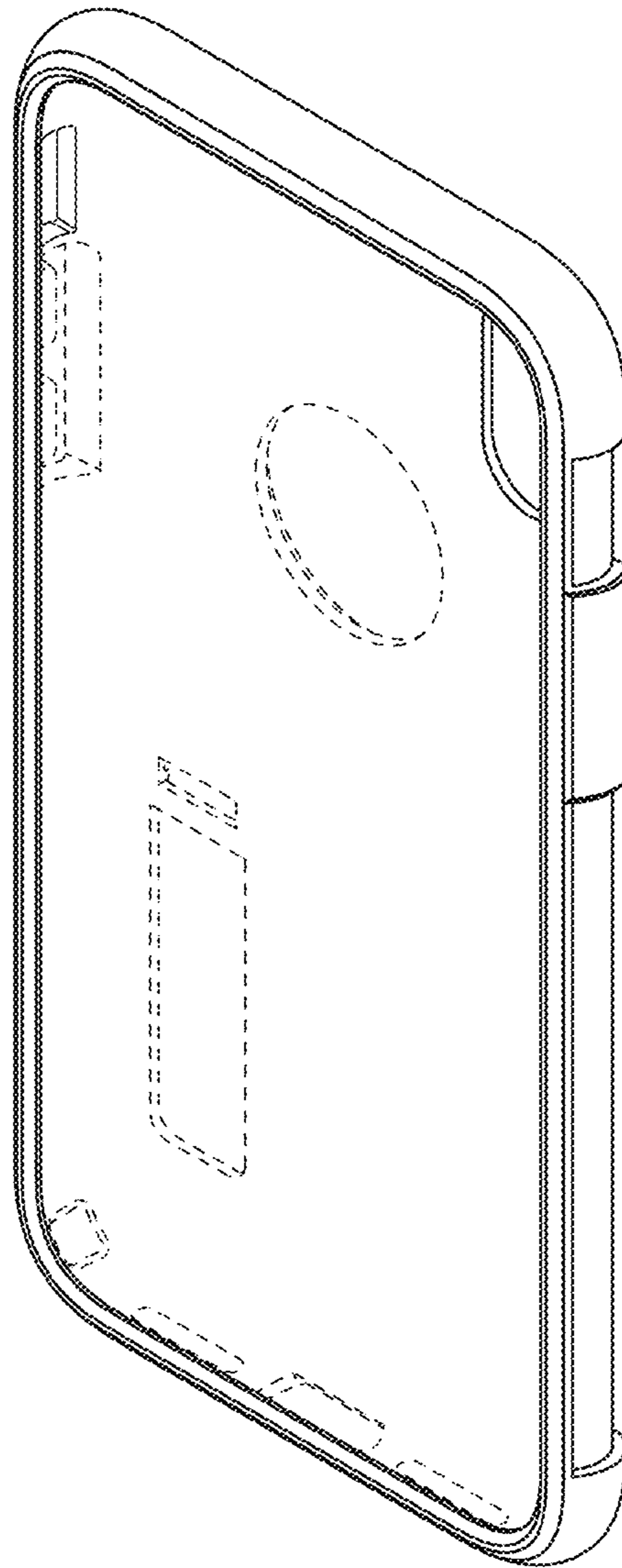


FIG. 11

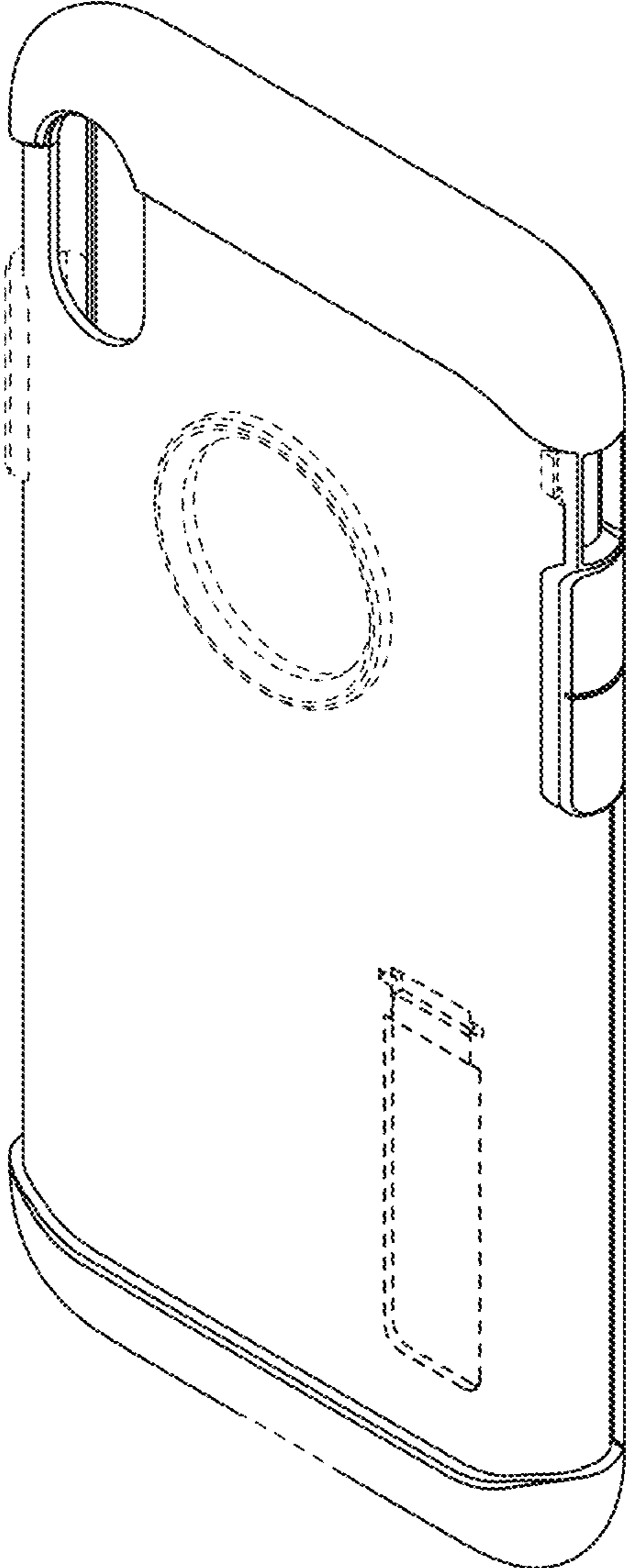


FIG. 12

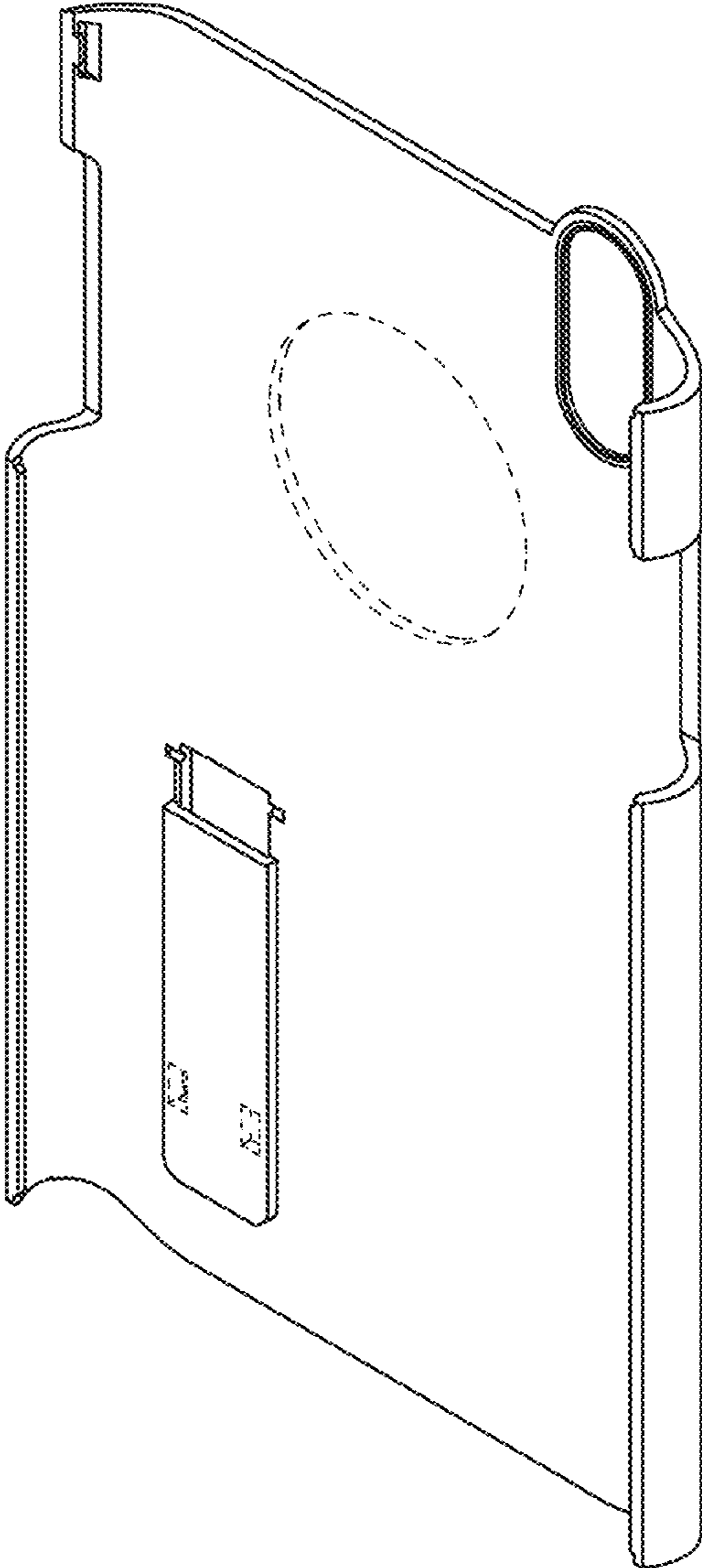


FIG. 13

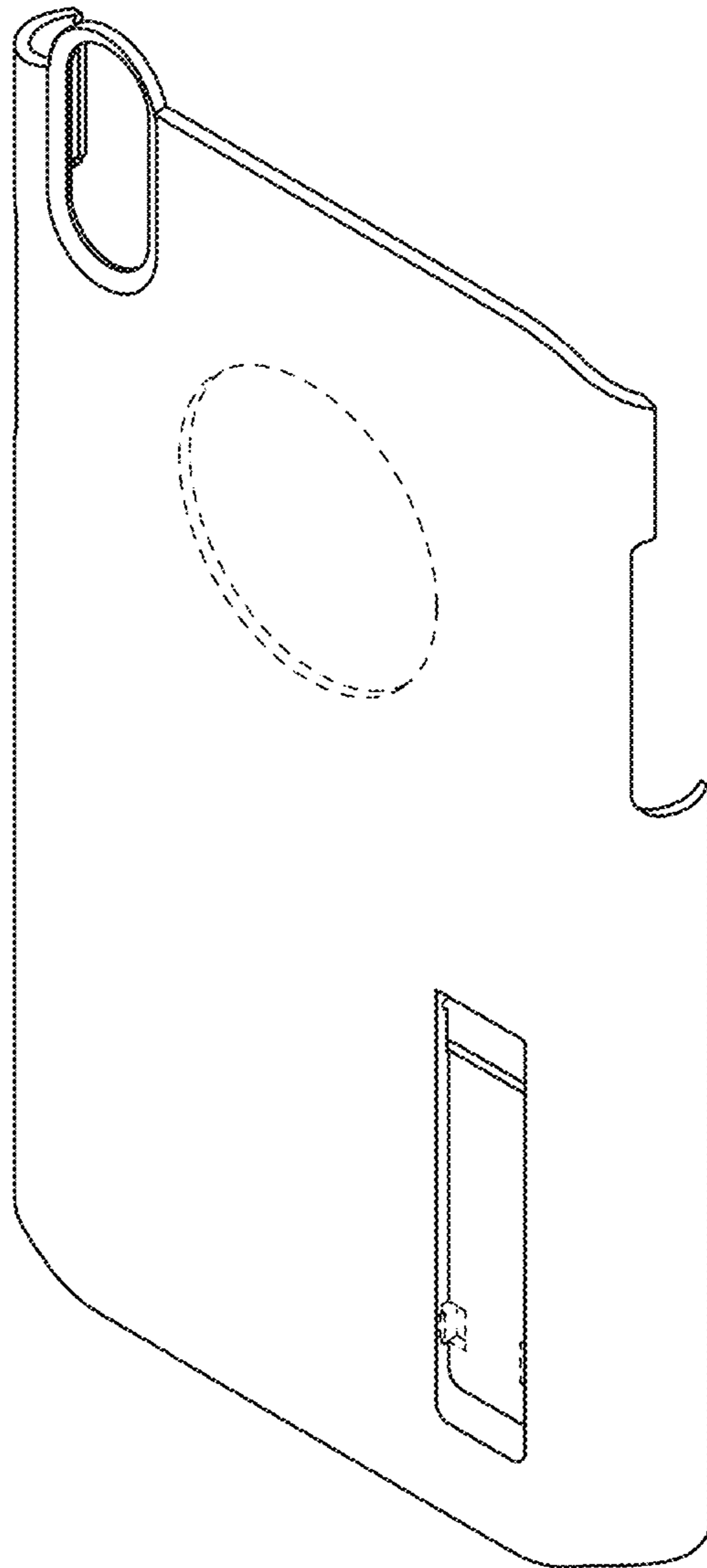


FIG. 14

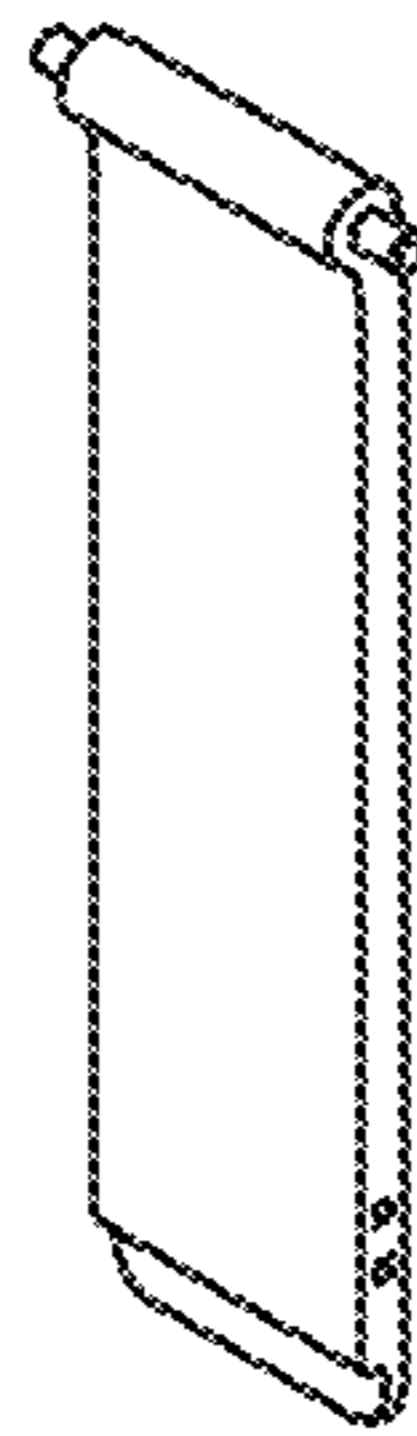


FIG. 15

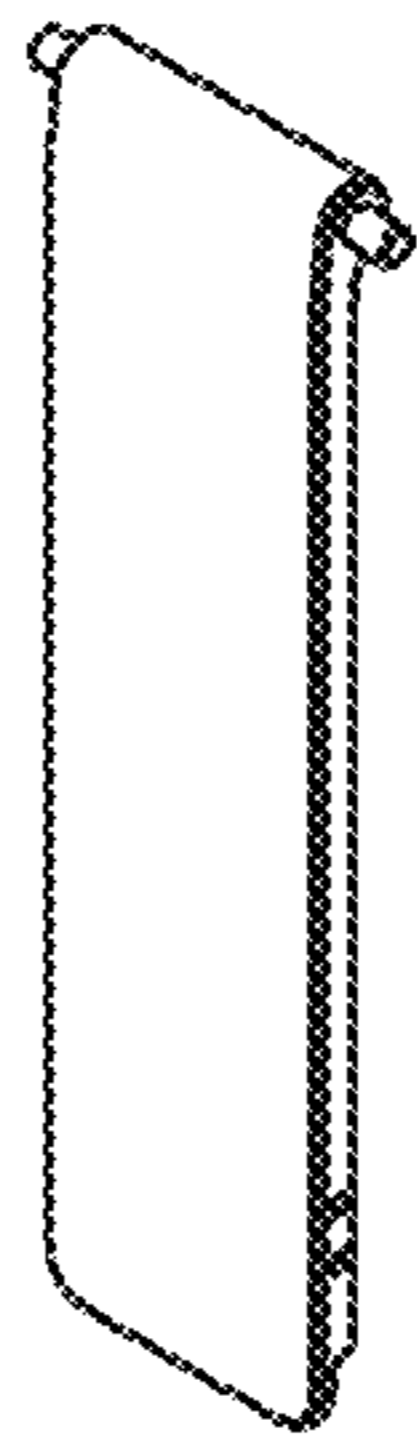


FIG. 16

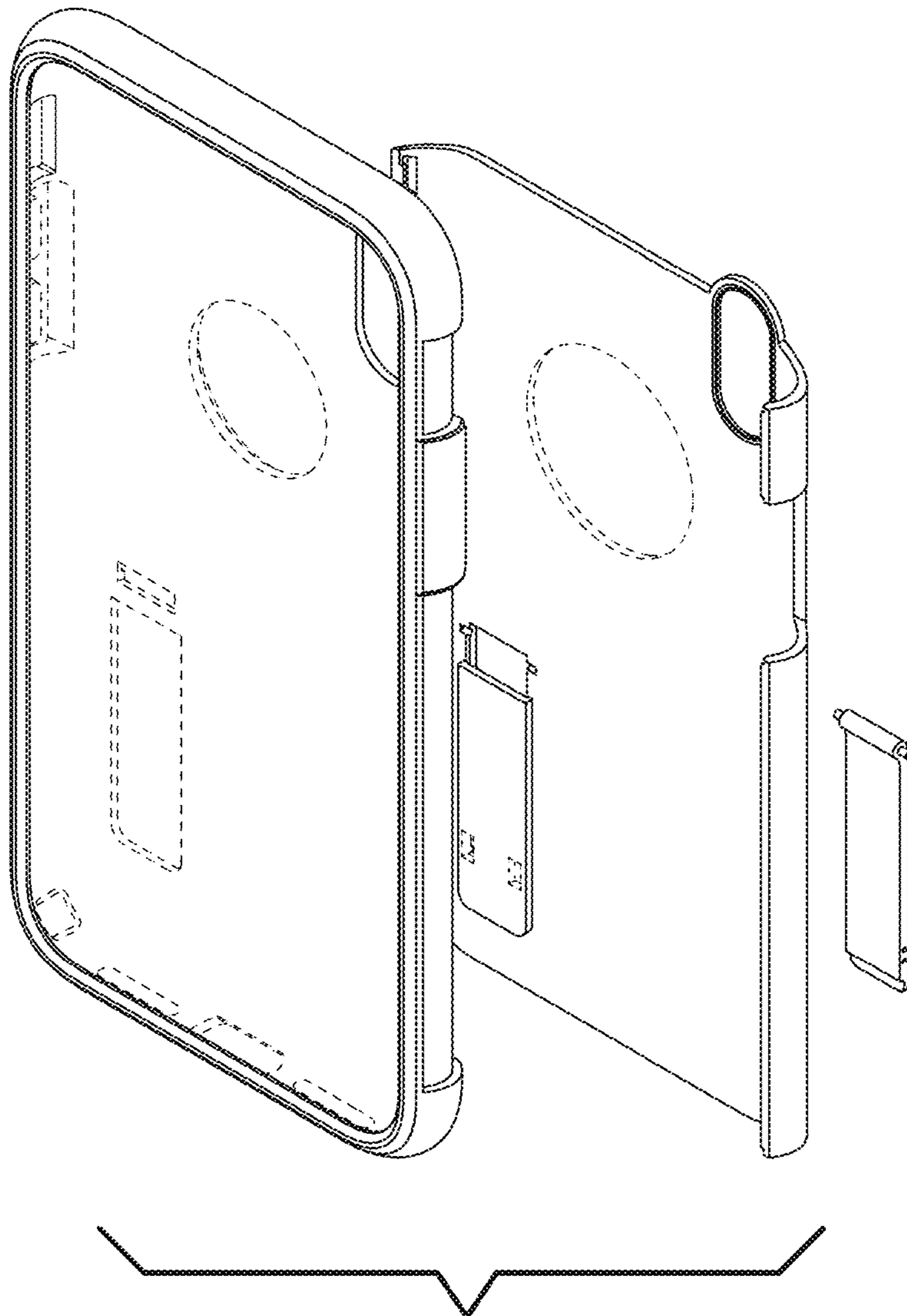


FIG. 17

