



US00D856997S

(12) **United States Design Patent** (10) **Patent No.:** **US D856,997 S**  
**Kim** (45) **Date of Patent:** **\*\* \*Aug. 20, 2019**

- (54) **CASE FOR ELECTRONIC COMMUNICATION DEVICE**
- (71) Applicant: **SPIGEN KOREA CO., LTD.**, Seoul (KR)
- (72) Inventor: **Seungjoo Kim**, Seoul (KR)
- (73) Assignee: **SPIGEN KOREA CO., LTD.**, Seoul (KR)
- (\*) Notice: This patent is subject to a terminal disclaimer.
- (\*\*) Term: **15 Years**
- (21) Appl. No.: **29/615,148**
- (22) Filed: **Aug. 25, 2017**
- (51) **LOC (12) Cl.** ..... **14-03**
- (52) **U.S. Cl.**  
USPC ..... **D14/250**
- (58) **Field of Classification Search**  
USPC ..... D3/218, 232, 233, 239, 242, 245–251, D3/269, 273, 301, 303; D13/103, 107, D13/108, 119; D14/137, 138 R, 138 AA, D14/138 C, 138 G, 203.3–203.7, 217, D14/238.1, 247, 248, 250, 251–253, 440  
CPC H04B 1/3888; H04M 1/0283; H04M 1/0202; A45C 1/06; A45C 2011/002; A45C 11/00; A45F 2005/028; A45F 2200/0525  
See application file for complete search history.

- D712,892 S 9/2014 Hong et al.
- D714,276 S 9/2014 Hu et al.
- D718,291 S 11/2014 Hong
- D721,360 S 1/2015 Laffon de Mazieres et al.
- D723,531 S \* 3/2015 Katzke ..... D14/250
- D746,275 S 12/2015 Mohammad
- D746,805 S \* 1/2016 Kim ..... D14/250
- D747,708 S \* 1/2016 Roberts ..... D14/250
- D756,345 S \* 5/2016 Roberts ..... D14/250
- D757,702 S 5/2016 Kanazawa
- D757,703 S 5/2016 Kanazawa
- D757,704 S \* 5/2016 Roberts ..... D14/250
- D760,710 S \* 7/2016 Ozolins ..... D14/250
- D761,774 S 7/2016 Liang
- D761,779 S \* 7/2016 Tsai ..... D14/250
- D763,841 S 8/2016 Kim
- D765,634 S 9/2016 McCray et al.
- D772,210 S 11/2016 Igarashi
- D772,854 S 11/2016 Igarashi
- D775,619 S 1/2017 Tien
- D776,104 S 1/2017 Tien
- D777,715 S 1/2017 Sawaya
- D780,167 S 2/2017 Tien
- D781,835 S 3/2017 Kim et al.
- D781,839 S 3/2017 Kim et al.
- D788,090 S 5/2017 Kim
- 9,723,735 B1 \* 8/2017 Kim ..... F16M 13/00
- D800,105 S \* 10/2017 Roberts ..... D14/250
- D803,823 S \* 11/2017 Feng ..... D14/250
- 2013/0257240 A1 \* 10/2013 Hong ..... H04B 1/3888 312/223.1
- 2016/0101902 A1 4/2016 Kim

**OTHER PUBLICATIONS**

Speck’s CandyShell Clear, Sparkle Edition Posting date: May 26, 2016, [online][visited Mar. 28, 2018] <URL: <https://www.macworld.com/article/3075300/phone-accessories/the-week-in-iphone-cases-specks-candyshell-clear-sparkle-edition.html#slide8>> (Year: 2016).\*

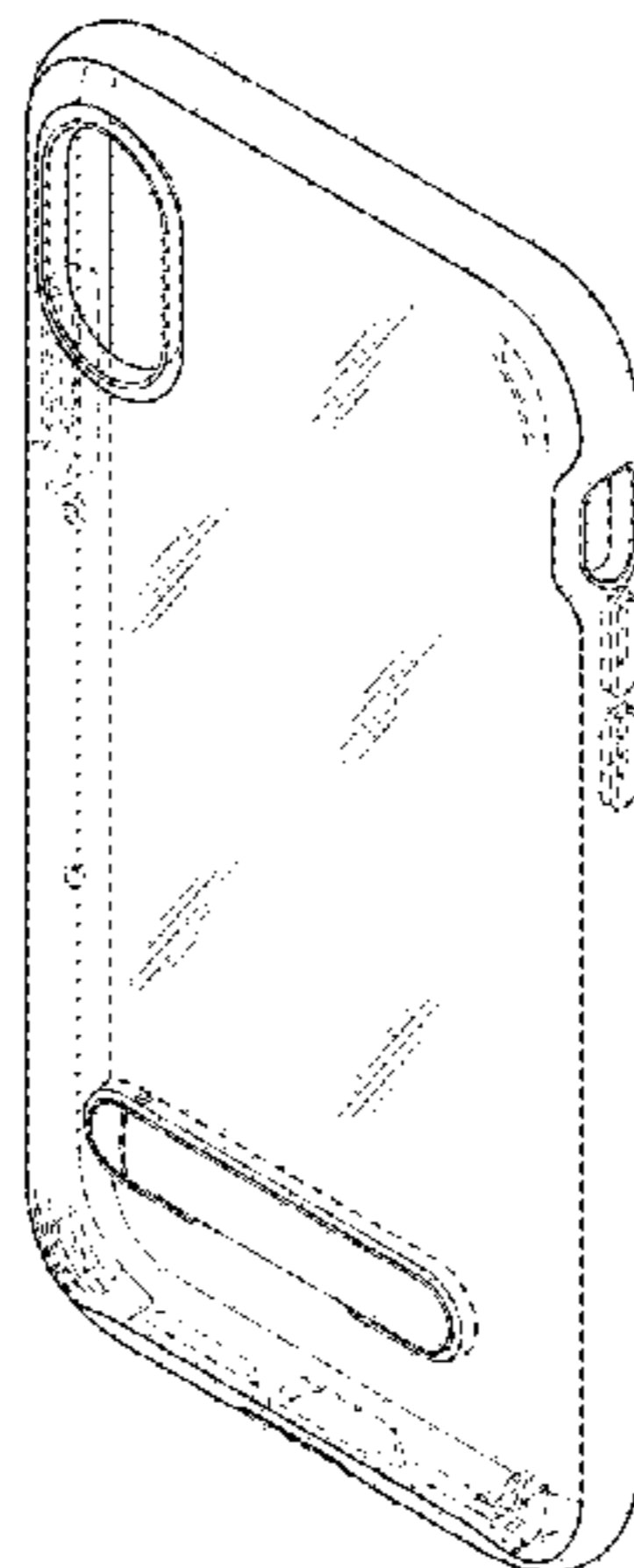
Transparent clear iphone x case, posting date Jul. 22, 2017, [site visited Mar. 20, 2018] <URL: [https://www.alibaba.com/product-detail/Transparent-Clear-for-iphone-X-Case\\_60678598195.html](https://www.alibaba.com/product-detail/Transparent-Clear-for-iphone-X-Case_60678598195.html)> (Year: 2017).\*

“iPhone 6s Case, Spigen [Neo Hybrid EX] Premium Bumper [Rose Gold] Clear TPU/PC Frame Slim Dual Layer Premium Case for iPhone 6 (2014)/6s (2015)—Rose Gold (SGP11725)”, <https://www.amazon.com/dp/B012PKV30S>, Earliest review date of Aug. 28, 2015, Downloaded on Dec. 18, 2018.

Danny Winget, “Spigen SGP Neo Hybrid for Galaxy Note 3 Review”, <https://www.youtube.com/watch?v=W80JtBDSckk>, Published on Nov. 3, 2013, Downloaded on Dec. 20, 2018.

(56) **References Cited**  
U.S. PATENT DOCUMENTS

- D619,361 S 7/2010 Andre
- D663,263 S \* 7/2012 Gupta ..... D13/103
- D669,071 S 10/2012 Akana et al.
- D670,281 S 11/2012 Corpuz et al.
- D671,930 S 12/2012 Akana et al.
- D676,837 S 2/2013 Rothbaum et al.
- D679,271 S 4/2013 Liu
- D706,254 S 6/2014 Chang
- D706,754 S \* 6/2014 Goradesky ..... D14/250



“Spigen Neo Hybrid Carbon Galaxy S6 Edge Plus Case with Carbon Fiber Design and Reinforced Hard Bumper Frame for Galaxy S6 Edge Plus 2015—Dante Red”, <https://www.amazon.com/dp/B010MWHZS0>, Earliest review date of Aug. 18, 2015, Downloaded on Dec. 18, 2018.

“Spigen Neo Hybrid Carbon iPhone 6s Case with Carbon Fiber Design and Reinforced Hard Bumper Frame for Apple iPhone 6s/iPhone 6 (2015)—Reventon Yellow”, <https://www.amazon.com/dp/B010MVJ5O8>, Earliest review date of Sep. 1, 2015, Downloaded on Dec. 18, 2018.

“Spigen Neo Hybrid Carbon iPhone 6S Plus Case with Carbon Fiber Design and Reinforced Hard Bumper Frame for iPhone 6S Plus 2015—Gunmetal”, <https://www.amazon.com/dp/B010MVRGMQ>, Earliest review date of Sep. 11, 2015, Downloaded on Dec. 18, 2018.

“Spigen Neo Hybrid CC Galaxy S6 Case with Flexible Inner Casing and Reinforced Hard Bumper Frame for Galaxy S6 2015—Satin Silver”, <https://www.amazon.com/dp/B00UMDOZLU>, Earliest review date of Mar. 25, 2015, Downloaded on Dec. 18, 2018.

“Spigen Neo Hybrid CC Galaxy S6 Edge Case with Flexible Inner Casing and Reinforced Hard Bumper Frame for Galaxy S6 Edge 2015—Blue Topaz”, <https://www.amazon.com/dp/B00USAPGKQ>, Earliest review date of Apr. 4, 2015, Downloaded on Dec. 18, 2018.

“Spigen Neo Hybrid Crystal Galaxy Note 5 Case with Flexible Inner Casing and Reinforced Hard Bumper Frame for Galaxy Note 5 2015—Champagne Gold”, <https://www.amazon.com/dp/B010MWIG1K>, Earliest review date of Aug. 22, 2015, Downloaded on Dec. 18, 2018.

“Spigen Neo Hybrid EX iPhone 6 Case with Flexible Inner Bumper and Reinforced Hard Frame for iPhone 6S/iPhone 6—EX Satin Silver”, <https://www.amazon.com/dp/B00LL6RZ3C>, Earliest review date of Sep. 6, 2014, Downloaded on Dec. 18, 2018.

“Spigen Neo Hybrid EX iPhone 6S Plus Case with Flexible Inner Bumper and Reinforced Hard Frame for iPhone 6S Plus/iPhone 6 Plus—Champagne Gold”, <https://www.amazon.com/dp/B010MVR16>, Earliest review date of Sep. 4, 2015, Downloaded on Dec. 18, 2018.

“Spigen Neo Hybrid EX Nexus 6P Case with Flexible Inner Bumper and Reinforced Hard Frame for Nexus 6P 2015—Gunmetal”, <https://www.amazon.com/dp/B0184I8Z4W>, Earliest review date of Oct. 20, 2015, Downloaded on Dec. 18, 2018.

“Spigen Neo Hybrid Galaxy S6 Case with Flexible Inner Protection and Reinforced Hard Bumper Frame for Galaxy S6 2015—Satin Silver”, <https://www.amazon.com/dp/B00QU4Q31A>, Earliest review date of Mar. 6, 2015, Downloaded on Dec. 18, 2018.

“Spigen Neo Hybrid Galaxy S6 Edge Case with Flexible Inner Protection and Reinforced Hard Bumper Frame for Galaxy S6 Edge 2015—Gunmetal”, <https://www.amazon.com/dp/B00SV635BG>, Earliest review date of Mar. 19, 2015, Downloaded on Dec. 18, 2018.

“Spigen Neo Hybrid iPhone 6 Case with Flexible Inner Protection and Reinforced Hard Bumper Frame for iPhone 6S/iPhone 6—Gunmetal”, <https://www.amazon.com/dp/B00LL6ZPXY>, Earliest review date of Aug. 28, 2014, Downloaded on Dec. 18, 2018.

“Spigen Neo Hybrid Nexus 6 Case with Flexible Inner Protection and Reinforced Hard Bumper Frame for Google Nexus 6 2014—Dante Red”, <https://www.amazon.com/dp/B00OH4HKGC>, Earliest review date of Nov. 16, 2014, Downloaded on Dec. 18, 2018.

Spigen Neo Hybrid Galaxy S7 Case with Flexible Inner Protection and Reinforced Hard Bumper Frame for Samsung Galaxy S7 2016—Gunmetal, <https://www.amazon.com/dp/B01B1I6J0E>, Earliest review date of Feb. 27, 2016, Downloaded on Dec. 18, 2018.

“Spigen Neo Hybrid Crystal Galaxy S7 Case with Flexible Inner Casing and Reinforced Hard Bumper Frame for Samsung Galaxy S7 2016—Champagne Gold”, <https://www.amazon.com/dp/B01B29WCOY>, Earliest review date of Mar. 3, 2016, Downloaded on Dec. 18, 2018.

“Spigen Neo Hybrid Crystal Galaxy S7 Edge Case with Flexible Inner Casing and Reinforced Hard Bumper Frame for Samsung Galaxy S7 Edge 2016—Satin Silver”, <https://www.amazon.com/dp/B01A7IDQV4>, Earliest review date of Feb. 22, 2016, Downloaded on Dec. 18, 2018.

“Spigen Neo Hybrid Crystal iPhone SE Case with Flexible Inner Casing and Reinforced Hard Bumper Frame for iPhone SE 2016—

Rose Gold”, <https://www.amazon.com/dp/B01BEJB7TI>, Earliest review date of Apr. 7, 2016, Downloaded on Dec. 18, 2018.

“Spigen Neo Hybrid Crystal LG G5 Case with Flexible Inner Casing and Reinforced Hard Bumper Frame for LG G5 2016—Champagne Gold”, <https://www.amazon.com/dp/B01B1GQKIC>, Earliest review date of Apr. 17, 2016, Downloaded on Dec. 18, 2018.

“Spigen Neo Hybrid Galaxy S7 Edge Case with Flexible Inner Protection and Reinforced Hard Bumper Frame for Samsung Galaxy S7 Edge 2016—Satin Silver”, <https://www.amazon.com/dp/B01B1I6JMM>, Earliest review date of Feb. 27, 2016, Downloaded on Dec. 18, 2018.

“Spigen Neo Hybrid iPhone SE Case with Flexible Inner Protection and Reinforced Hard Bumper Frame for iPhone SE 2016—Gunmetal”, <https://www.amazon.com/dp/B01BEJBBSK>, Earliest review date of Apr. 6, 2016, Downloaded on Dec. 18, 2018.

“Spigen Neo Hybrid OnePlus 3 Case/OnePlus 3T Case with Flexible Inner Protection and Reinforced Hard Bumper Frame for OnePlus 3 2016—Gunmetal”, <https://www.amazon.com/dp/B01H3PF76Q>, Earliest review date of Aug. 9, 2016, Downloaded on Dec. 18, 2018.

“Spigen Neo Hybrid iPhone 6S Case with Flexible Inner Protection and Reinforced Hard Bumper Frame for iPhone 6S 2015—Gunmetal”, <https://www.amazon.com/dp/B010MVIZTE>, Earliest review date of Sep. 1, 2015, Downloaded on Dec. 18, 2018.

“Spigen U100 Universal Kickstand Compatible with Any Cellphone—Black (US Patent Pending)”, <https://www.amazon.com/dp/B01LW6NN8T>, Earliest review date of Aug. 12, 2016, Downloaded on Jan. 22, 2019.

\* cited by examiner

*Primary Examiner* — Susan E Krakower

*Assistant Examiner* — L. A. Grabenstetter

(74) *Attorney, Agent, or Firm* — Heedong Chae; Lucem, PC

(57)

## CLAIM

The ornamental design for a case for electronic communications device, as shown and described.

## DESCRIPTION

FIG. 1 is a front perspective view of a partially transparent case for electronic communications device, comprised of an outer frame, the support leg and a transparent inner shell, showing my new design;

FIG. 2 is a rear perspective view thereof;

FIG. 3 is a rear perspective view of the case with a support leg extended thereof;

FIG. 4 is a front elevational view thereof;

FIG. 5 is a rear elevational view thereof;

FIG. 6 is a left side elevational view thereof;

FIG. 7 is a right side elevational view thereof;

FIG. 8 is a top plan view thereof;

FIG. 9 is a bottom plan view thereof;

FIG. 10 is a front perspective of the transparent inner shell of the case;

FIG. 11 is a rear perspective view of the transparent inner shell of the case;

FIG. 12 is a front perspective view of the outer frame of the case;

FIG. 13 is a rear perspective view of the outer frame of the case;

FIG. 14 is an exploded front perspective view thereof, showing the transparent inner shell, the support leg, and the outer frame of the case;

FIG. **15** is an exploded rear perspective view thereof, showing the transparent inner shell, the support leg, and the outer frame of the case;

FIG. **16** is an enlarged front perspective view of the support leg of the case; and,

FIG. **17** is an enlarged rear perspective view of the support leg of the case.

Although the case for electronic communications device, in which the claimed design is embodied, consists of an inner shell, an outer frame, and a support leg, the claim is directed to the ornamental appearance in its entirety, and does not extend to the ornamental appearance of each of the individual components.

The broken lines, and unshaded surfaces bounded by broken lines, depict parts of the article's appearance that form no part of the claimed design.

**1 Claim, 17 Drawing Sheets**

FIG. 1

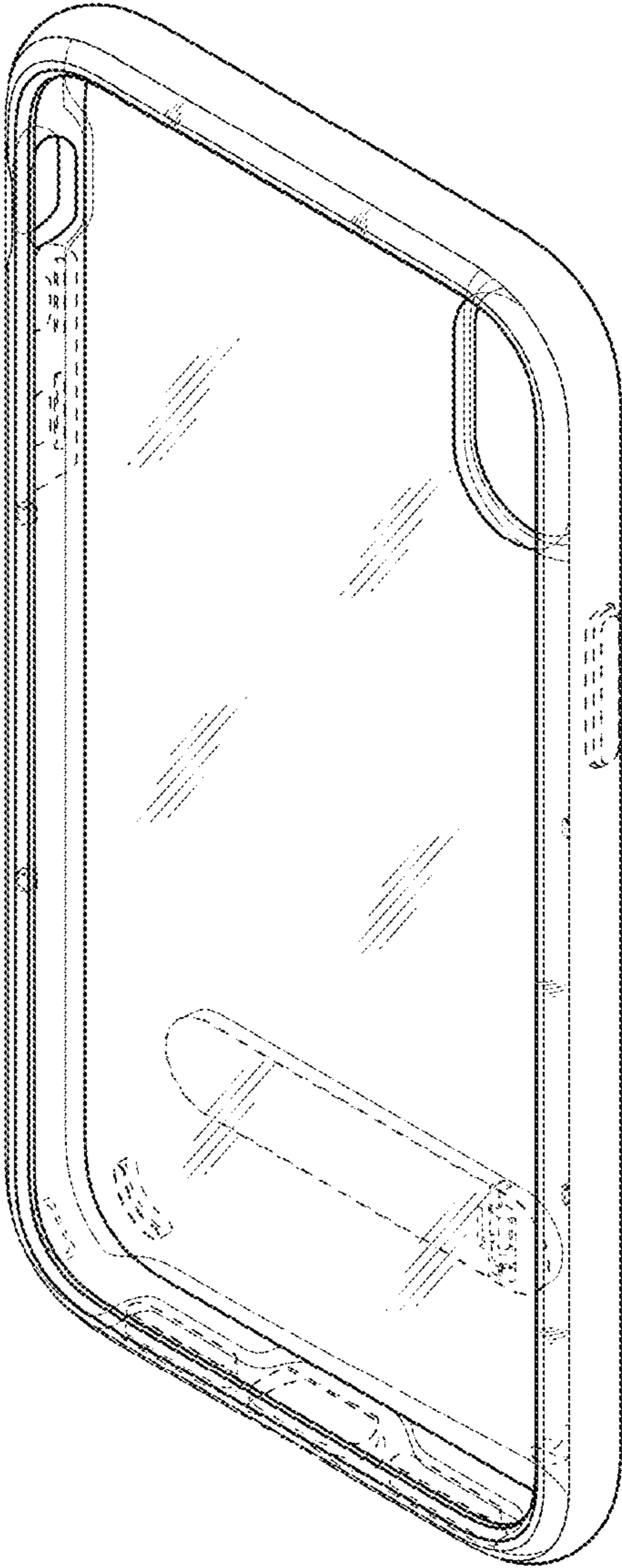


FIG. 2

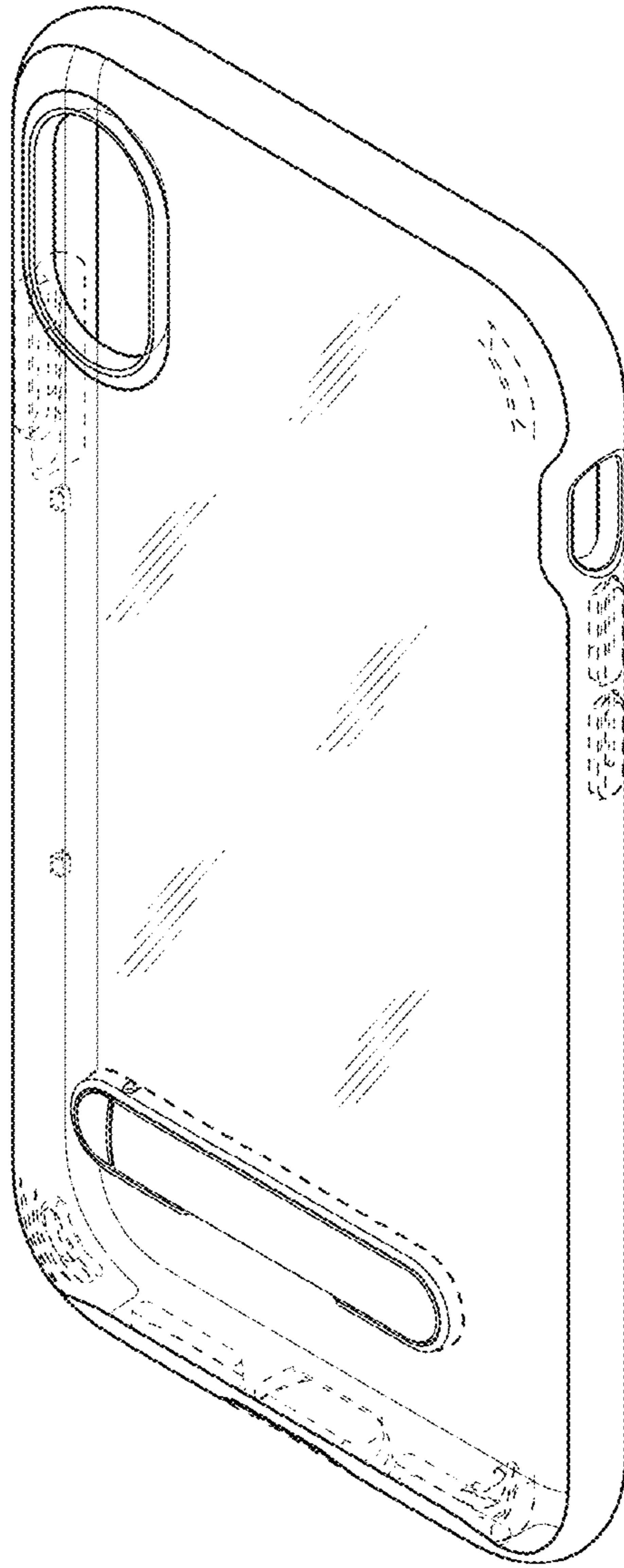


FIG. 3

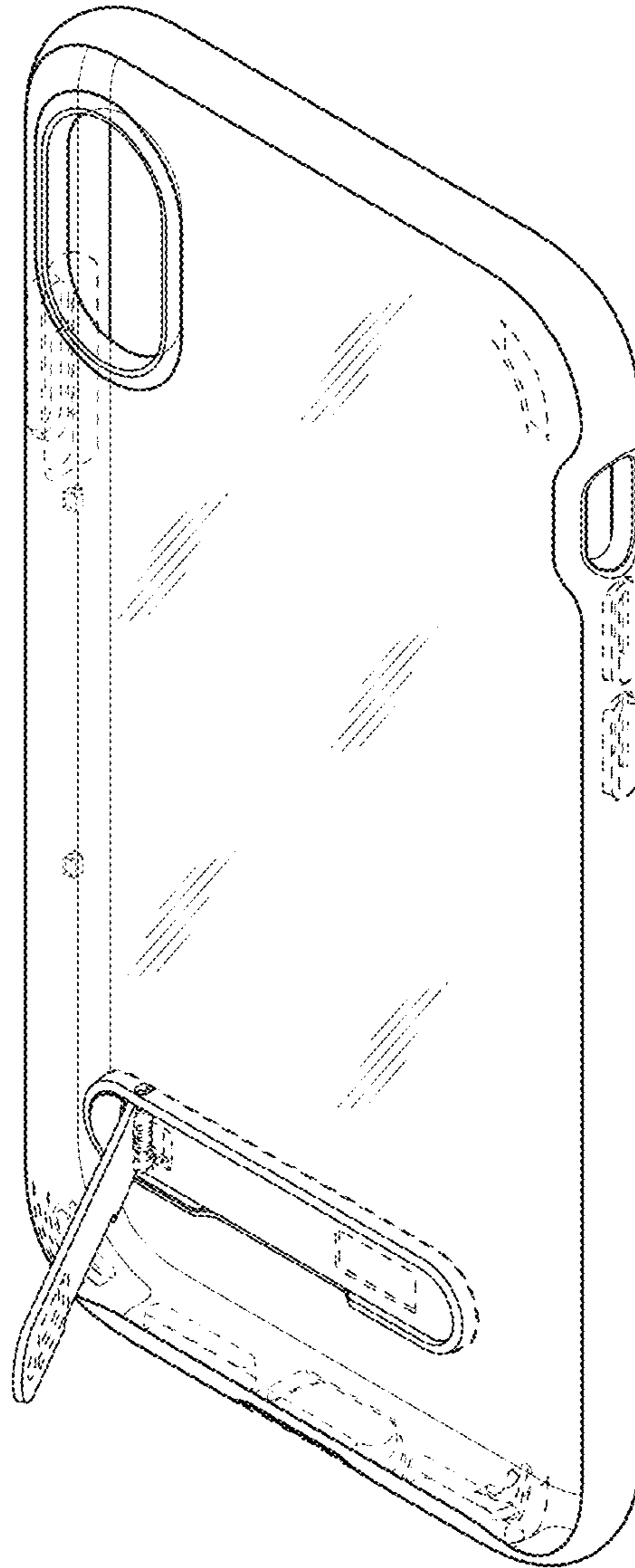


FIG. 4

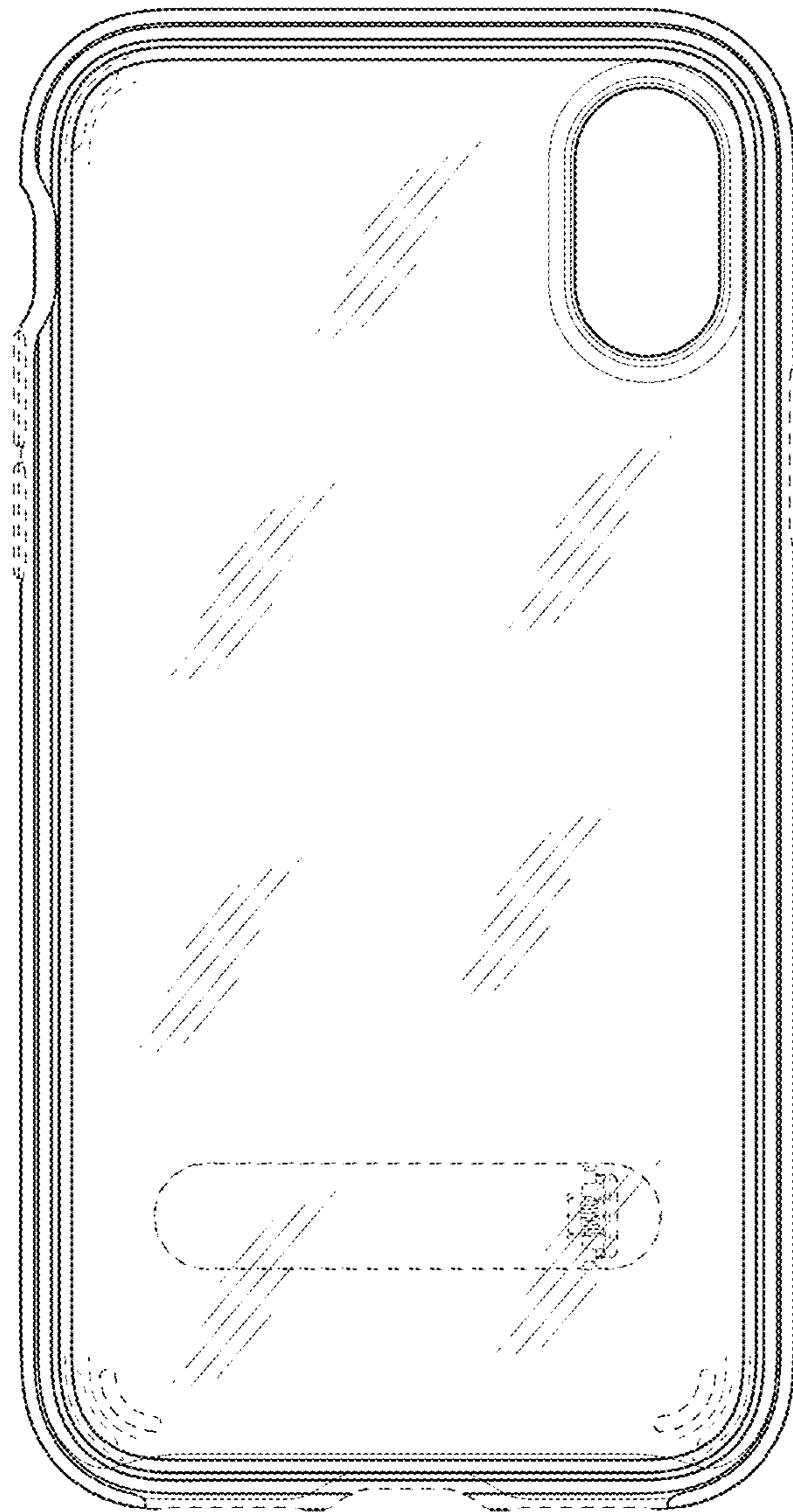


FIG. 5

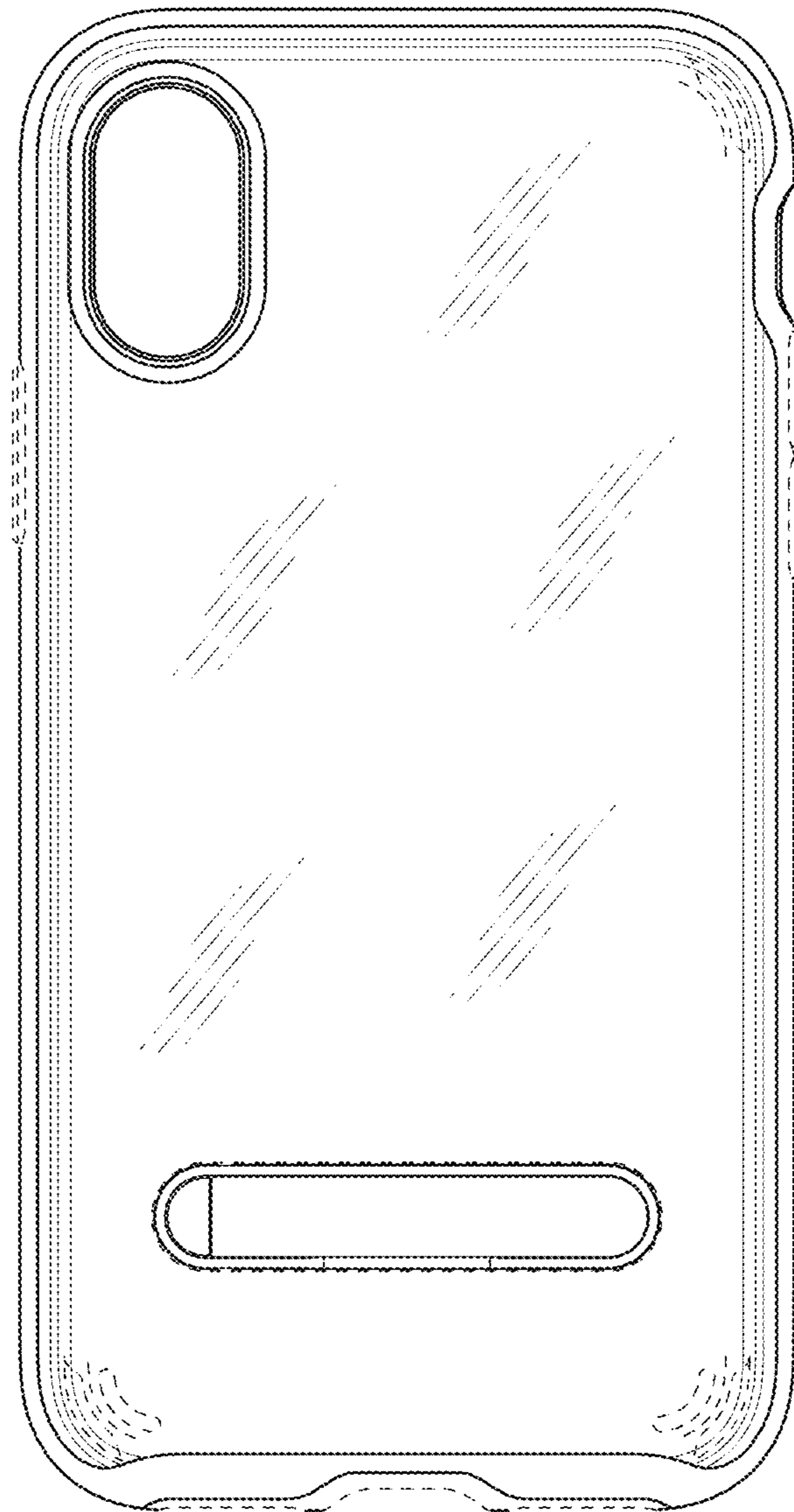




FIG. 6

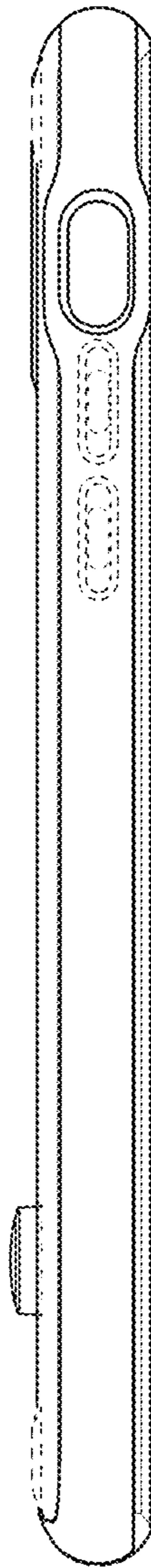


FIG. 7

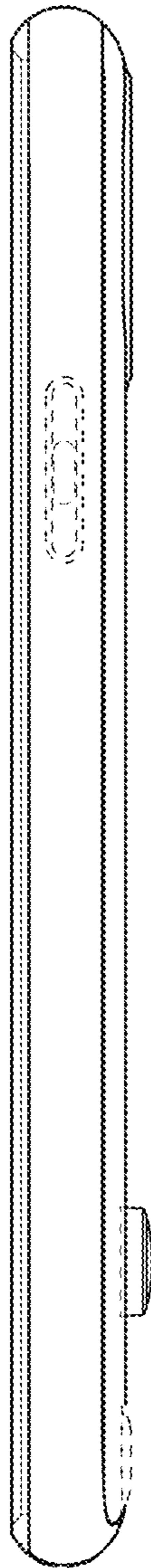


FIG. 8

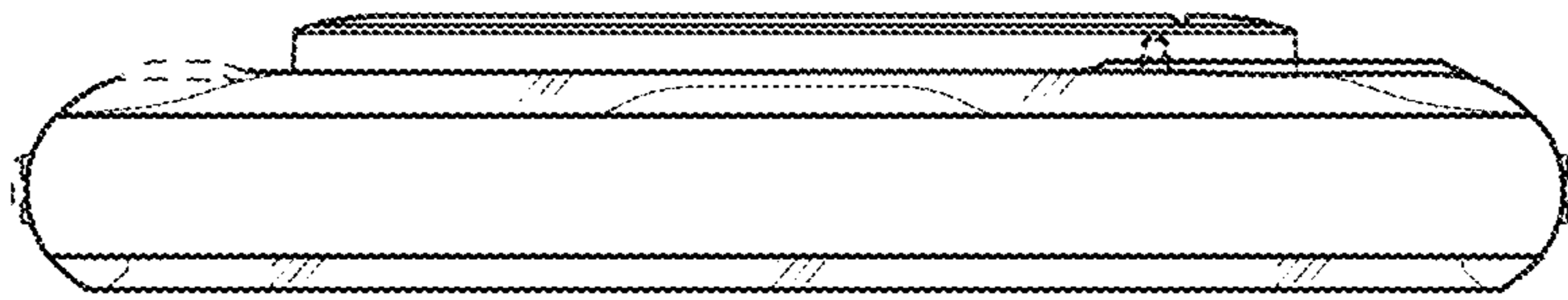


FIG. 9

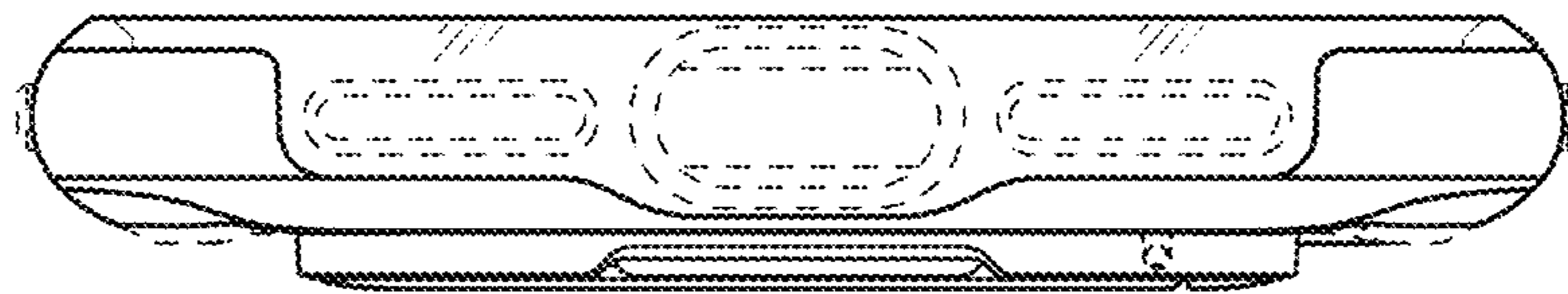


FIG. 10

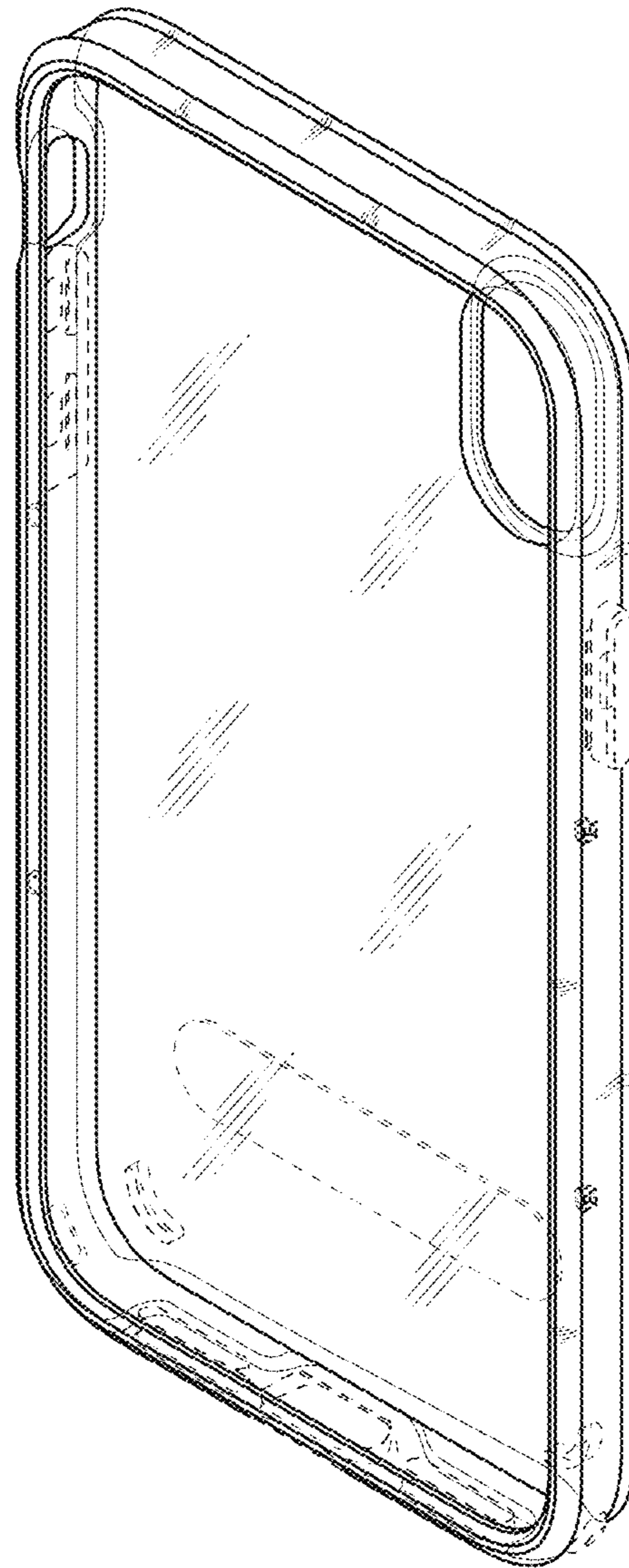


FIG. 11

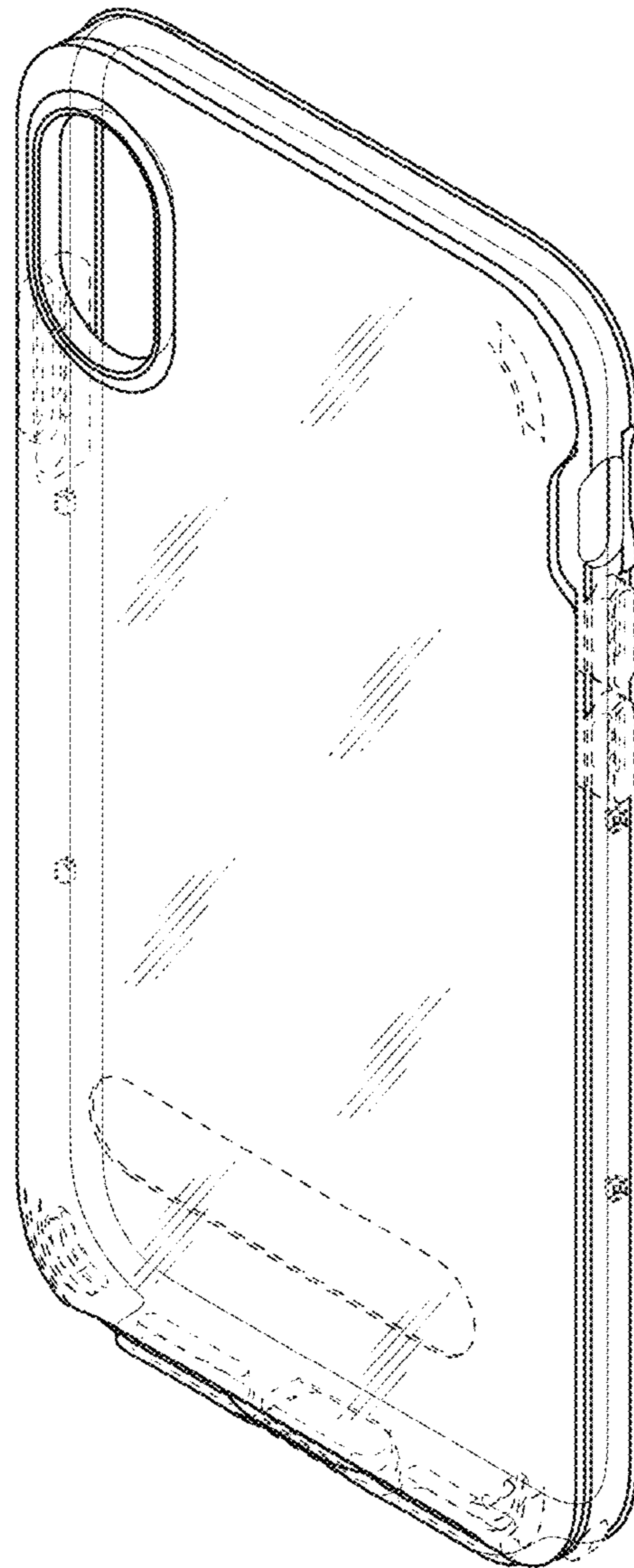


FIG. 12

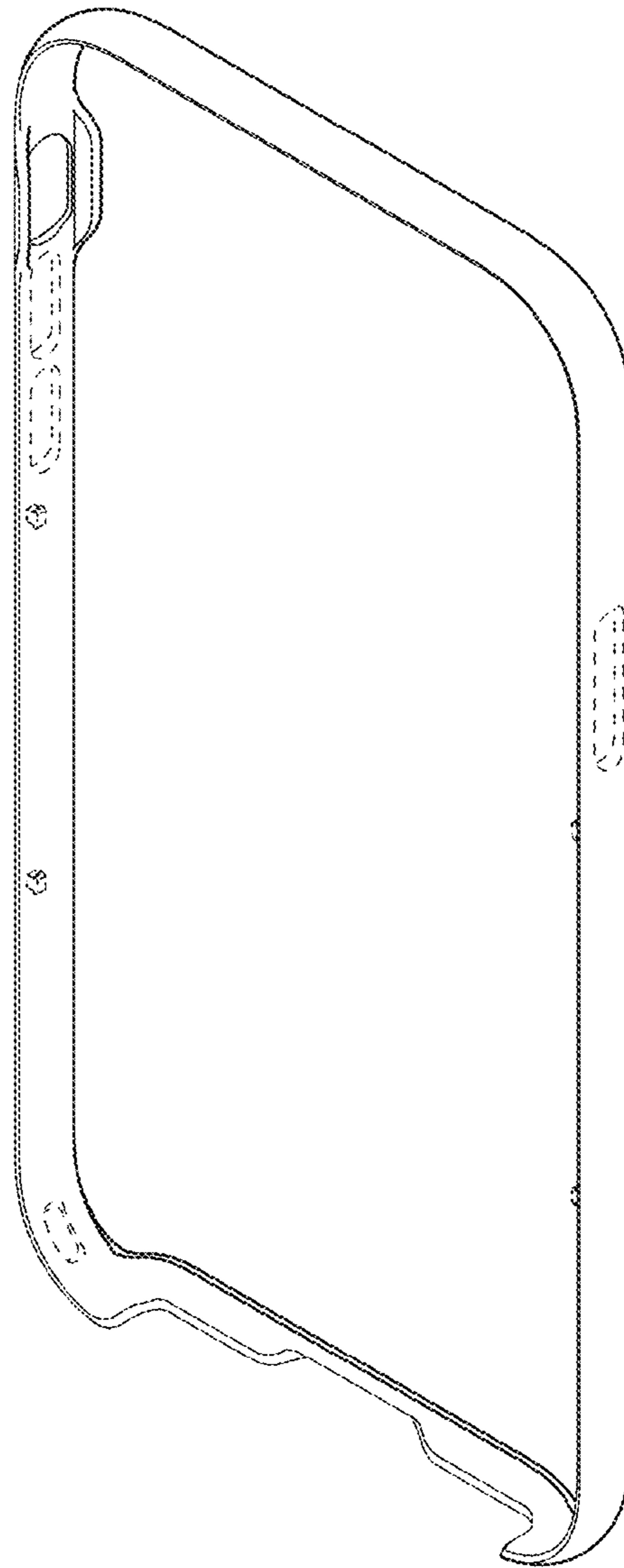


FIG. 13

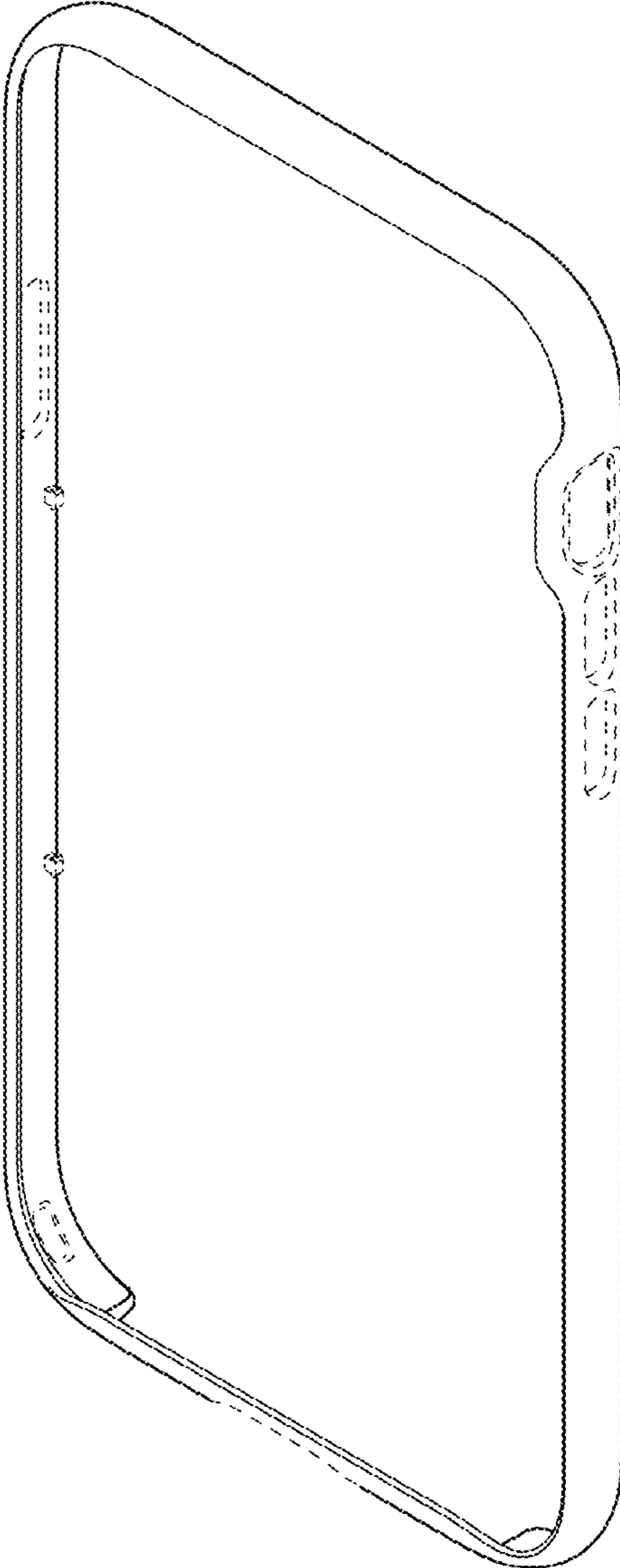




FIG. 14

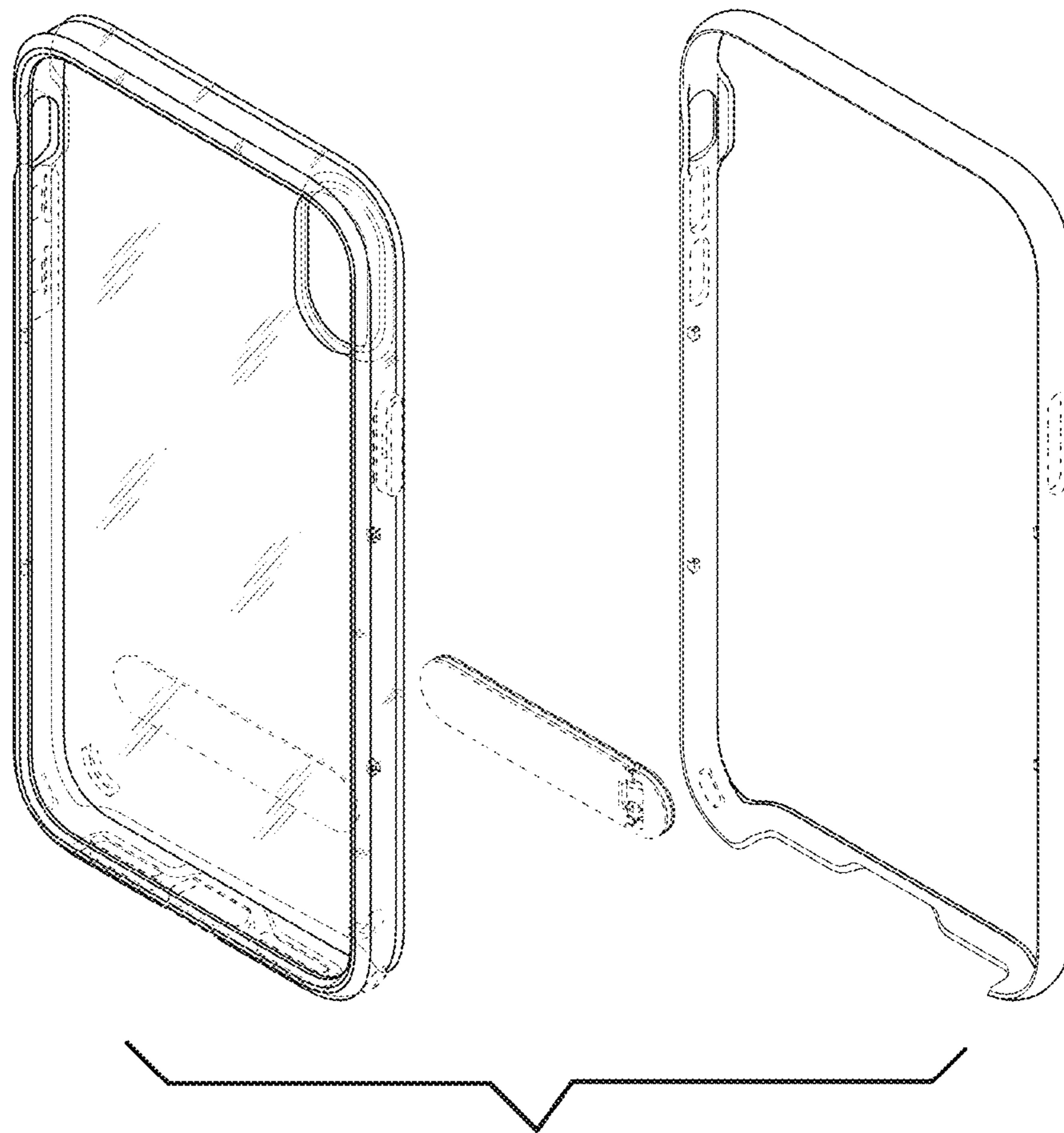


FIG. 15

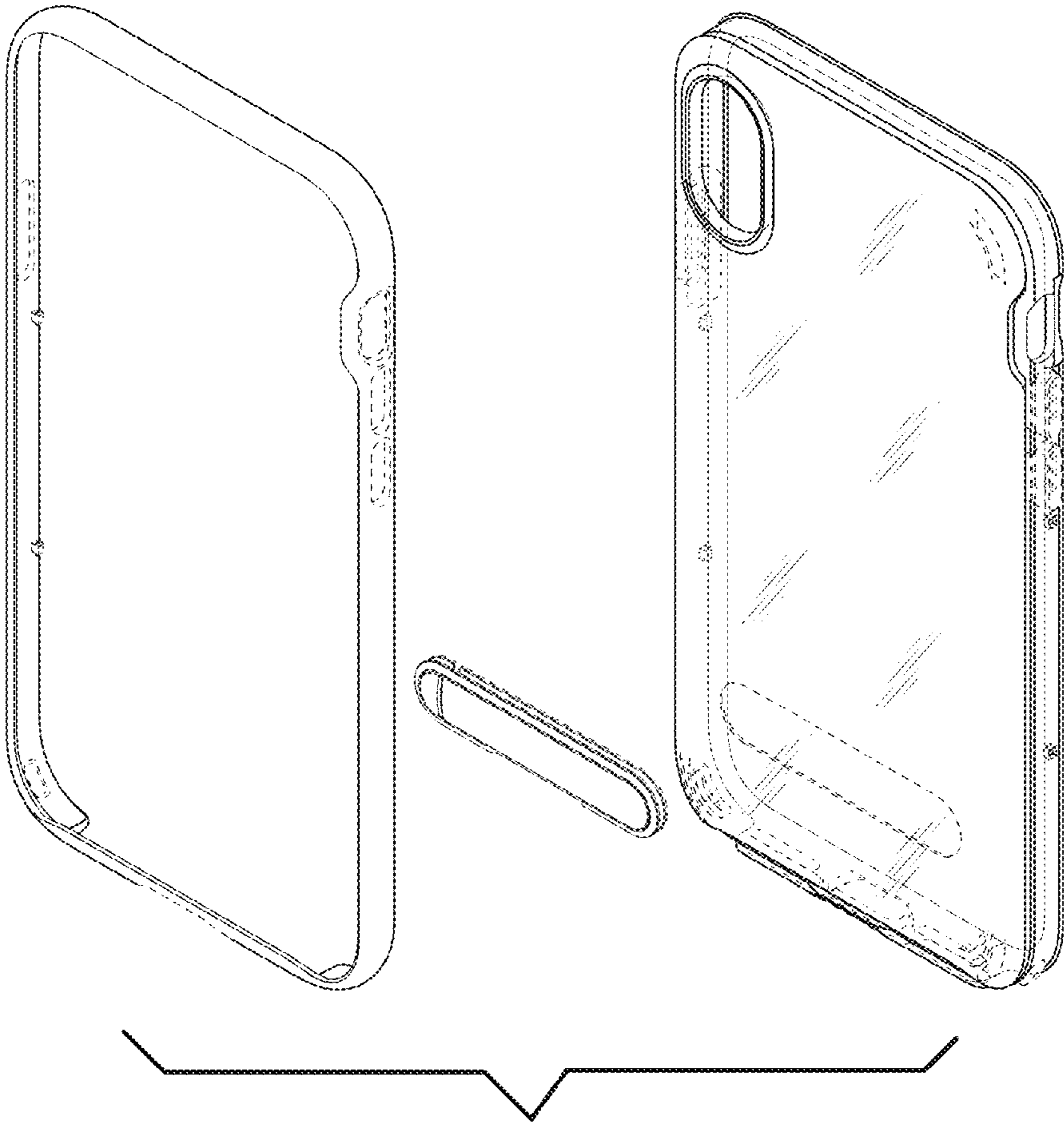


FIG. 16

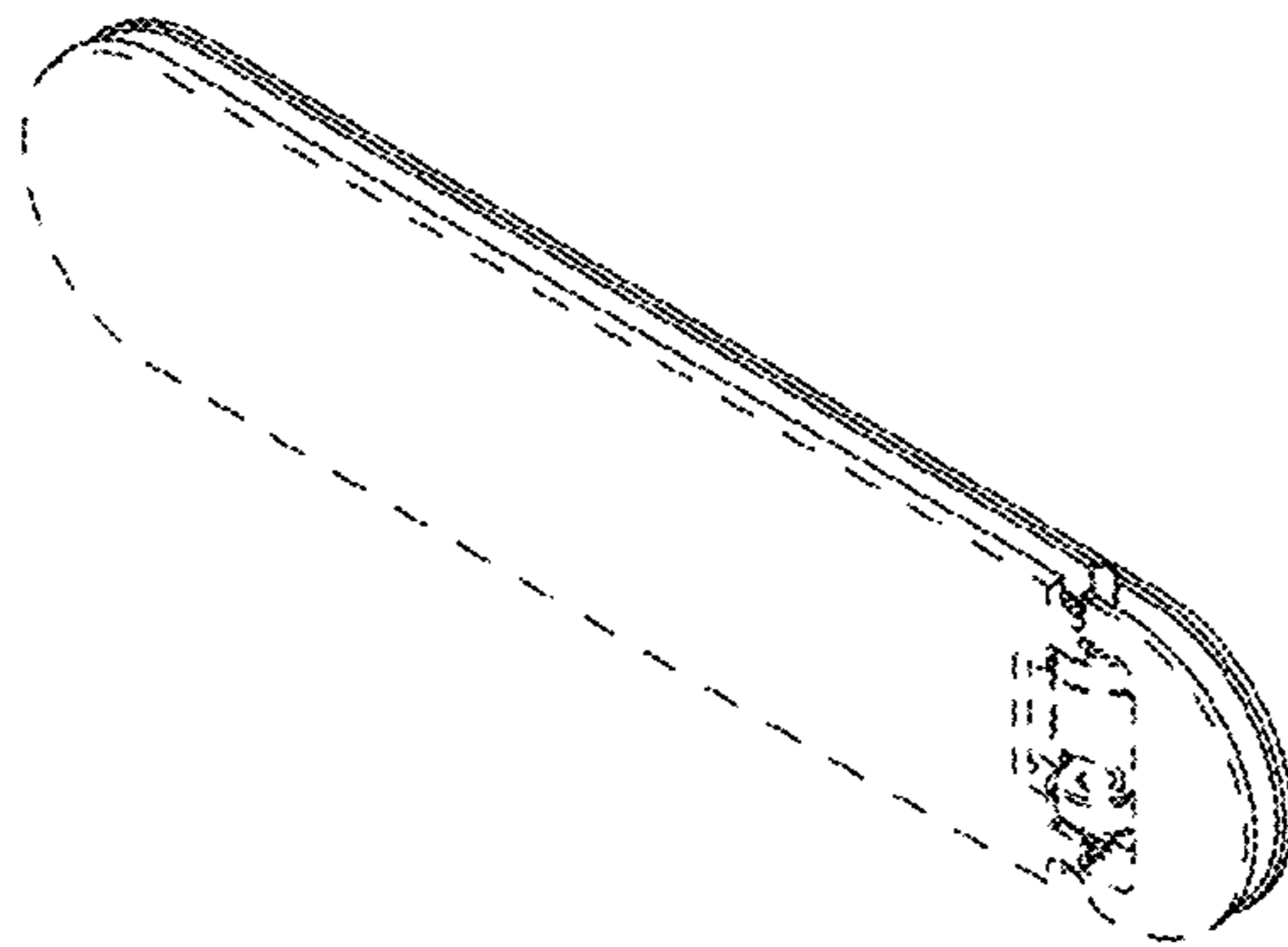


FIG. 17

