



US00D856992S

(12) **United States Design Patent** (10) **Patent No.:** **US D856,992 S**  
**Beaupre et al.** (45) **Date of Patent:** **\*\* Aug. 20, 2019**

- (54) **OVERLAY FOR ELECTRONIC DEVICE**
- (71) Applicant: **Belkin International, Inc.**, Playa Vista, CA (US)
- (72) Inventors: **Eric Beaupre**, Los Angeles, CA (US); **John F. Wadsworth**, Burbank, CA (US)
- (73) Assignee: **BELKIN INTERNATIONAL, INC.**, Playa Vista, CA (US)
- (\*\*) Term: **15 Years**
- (21) Appl. No.: **29/575,208**
- (22) Filed: **Aug. 23, 2016**

6,406,758 B1	6/2002	Bottari et al.
7,084,859 B1	8/2006	Pryor
D578,164 S	10/2008	Ingle
D598,024 S	8/2009	Scott et al.
D601,959 S	10/2009	Lee
D601,960 S	10/2009	Dai
7,697,827 B2	4/2010	Konicek
D627,826 S	11/2010	Halimi
7,957,524 B2	6/2011	Chipping
7,966,861 B2	6/2011	Yee et al.
D641,210 S	7/2011	Hamilton
8,044,942 B1	10/2011	Leonhard et al.
8,047,365 B1	11/2011	Lin
D651,214 S	12/2011	Yoo et al.
D651,791 S	1/2012	Cataldo et al.
D658,164 S	4/2012	Chan
D665,809 S	8/2012	Wang et al.
8,369,072 B1	2/2013	Alonzo et al.
8,393,377 B2	3/2013	Patel et al.
D679,753 S	4/2013	Sato et al.
D680,166 S	4/2013	Sato et al.
8,517,367 B1	8/2013	Napier
D690,704 S	10/2013	Padilla et al.
8,564,538 B2	10/2013	Wadsworth
D694,240 S	11/2013	Cho
8,640,759 B2	2/2014	Chen
8,675,353 B1	3/2014	Alonzo et al.
D707,217 S	6/2014	Toulotte
D710,843 S	8/2014	Akana
D713,397 S	9/2014	Du et al.
D714,053 S	9/2014	Yoo
8,821,659 B2	9/2014	Ng et al.
D715,301 S	10/2014	Ashcraft et al.
D715,784 S	10/2014	Lin et al.
D720,353 S	12/2014	Nakamura
D721,359 S	1/2015	Kim
8,931,770 B1	1/2015	Kaminski
9,001,502 B1	4/2015	Cowan
9,010,396 B2	4/2015	Patel et al.
D729,235 S	5/2015	Nagao et al.
D734,311 S	7/2015	Takamoto et al.
9,089,085 B2	7/2015	Patel et al.
9,159,260 B2	10/2015	Oh
D743,402 S	11/2015	Ehara et al.
D746,265 S	12/2015	Colby et al.
D747,320 S	1/2016	Snyder et al.
D751,556 S	3/2016	Conley et al.
D751,557 S	3/2016	Lane
D759,640 S	6/2016	Wadsworth
D769,857 S	10/2016	Shin et al.
D772,199 S	11/2016	Igarashi
D773,927 S	12/2016	Cernokus et al.
D776,123 S	1/2017	Akana et al.

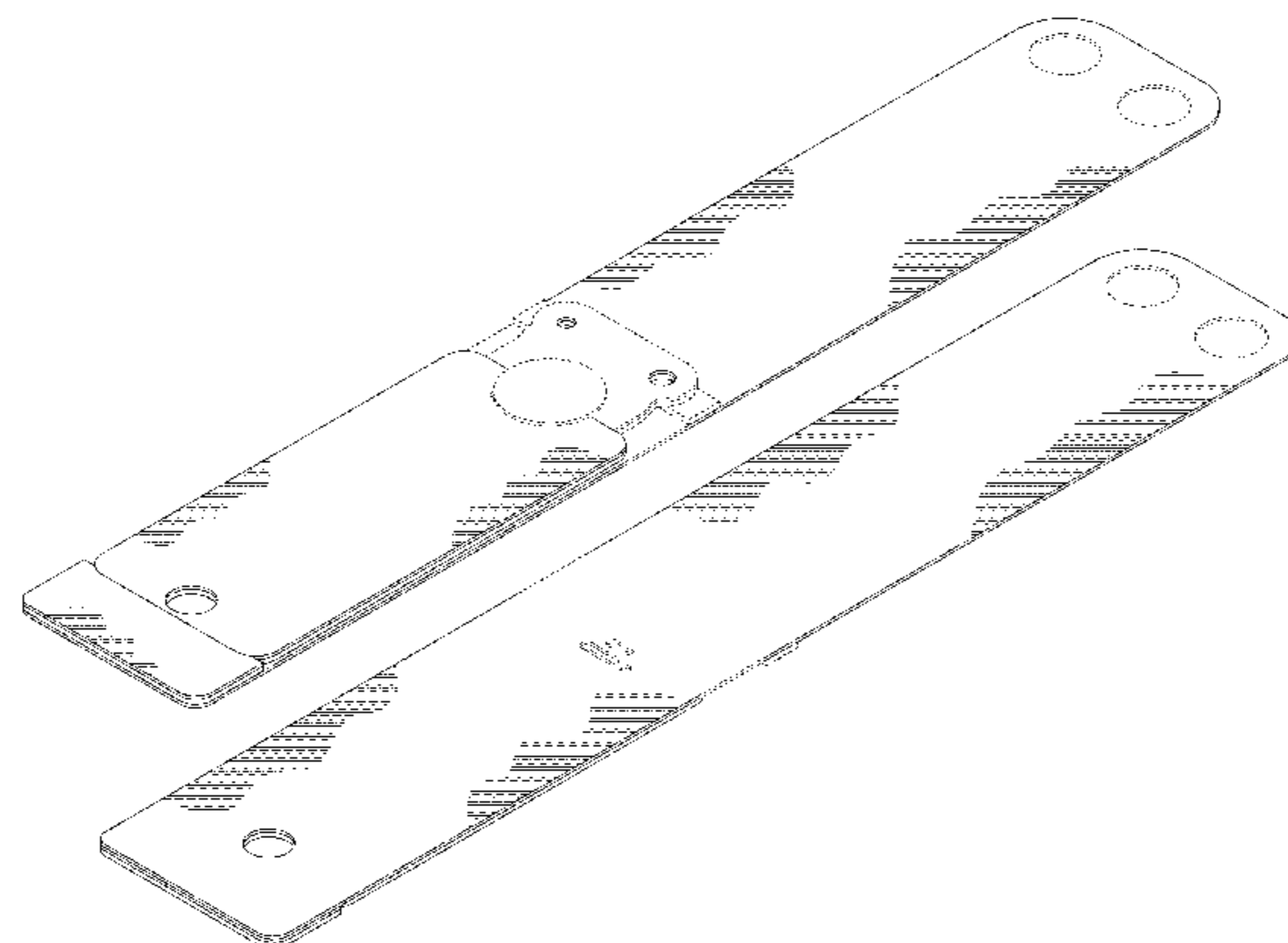
**Related U.S. Application Data**

- (62) Division of application No. 29/480,546, filed on Jan. 27, 2014, now Pat. No. Des. 767,550.
- (51) **LOC (12) Cl.** ..... **14-03**
- (52) **U.S. Cl.**  
USPC ..... **D14/250**
- (58) **Field of Classification Search**  
USPC ..... D14/250-253, 440, 203.3-203.7, 217, D14/496, 248, 238.1, 240, 447, 230, 247, D14/341, 345, 346, 439; D3/201, 218, D3/269, 301, 273, 303; D13/103, D13/107-108  
CPC . A45C 2011/002; A45C 11/00; A45C 13/002; A45C 2011/003; H04M 1/0283; H04M 1/0202; H04M 1/185; H04B 1/3888  
See application file for complete search history.

(56) **References Cited**

**U.S. PATENT DOCUMENTS**

4,285,559 A	8/1981	Koch
D305,648 S	1/1990	Edington
4,895,231 A	1/1990	Yamaguchi et al.
5,069,732 A	12/1991	Levine
5,680,709 A	10/1997	Stone
5,805,251 A	9/1998	Ozawa



# US D856,992 S

Page 2

D777,714 S 1/2017 Akana et al.  
D778,869 S 2/2017 Kim et al.  
9,662,860 B2 5/2017 Wadsworth  
9,688,016 B2 6/2017 Rostami  
9,701,062 B2 7/2017 Wadsworth et al.  
9,701,096 B2 7/2017 Beaupre  
D800,126 S 10/2017 Wadsworth et al.  
D800,127 S 10/2017 Beaupre et al.  
D800,128 S 10/2017 Beaupre et al.  
D800,129 S 10/2017 Wadsworth et al.  
D800,130 S 10/2017 Beaupre et al.  
D800,131 S 10/2017 Wadsworth et al.  
D800,714 S 10/2017 Lee et al.  
D802,594 S 11/2017 Beaupre et al.  
D811,404 S 2/2018 Wadsworth  
D811,405 S 2/2018 Wadsworth et al.  
D811,407 S 2/2018 Wadsworth et al.  
D811,408 S 2/2018 Wadsworth et al.  
D812,062 S 3/2018 MacDonald et al.  
D812,063 S 3/2018 Lane et al.  
2002/0054030 A1 5/2002 Murphy  
2004/0109096 A1 6/2004 Anderson et al.  
2004/0246386 A1 12/2004 Thomas et al.  
2005/0030296 A1 2/2005 Stohrer et al.  
2005/0164148 A1 7/2005 Sinclair  
2007/0013662 A1 1/2007 Fauth  
2007/0021068 A1 1/2007 Dewhurst  
2007/0058990 A1 3/2007 Weaver et al.  
2007/0115621 A1 5/2007 Guillen  
2007/0229962 A1 10/2007 Mason, Jr.  
2007/0247793 A1 10/2007 Carnevali  
2007/0293282 A1 12/2007 Lewis et al.  
2009/0015509 A1 1/2009 Gottwald et al.  
2009/0133219 A1 5/2009 Lowry et al.  
2009/0186181 A1 7/2009 Mase  
2009/0245565 A1 10/2009 Mittleman et al.  
2009/0314400 A1 12/2009 Liu  
2010/0053926 A1 3/2010 Shi et al.  
2010/0079972 A1 4/2010 Chen et al.  
2010/0097757 A1 4/2010 Wang  
2010/0309152 A1 12/2010 Kusuda et al.  
2011/0188179 A1 8/2011 Myers et al.  
2011/0206887 A1 8/2011 Kim  
2011/0267793 A1 11/2011 Cohen  
2011/0279383 A1 11/2011 Wilson et al.  
2011/0309608 A1 12/2011 Flynn et al.  
2012/0043015 A1 2/2012 Feller  
2012/0063077 A1 3/2012 Tomobe et al.  
2012/0076967 A1 3/2012 Muramatsu  
2012/0087072 A1 4/2012 McGuire et al.  
2012/0110868 A1 5/2012 Abbondanzio  
2012/0183712 A1 7/2012 Leonhard et al.  
2012/0211168 A1 8/2012 Patel et al.  
2012/0211170 A1 8/2012 Patel et al.  
2012/0261930 A1 10/2012 Bethea  
2012/0268394 A1 10/2012 Hsu et al.  
2012/0276318 A1 11/2012 Franke  
2013/0020005 A1 1/2013 Koblick et al.  
2013/0020020 A1 1/2013 Liu  
2013/0040088 A1 2/2013 Hirayama et al.  
2013/0048203 A1 2/2013 Yau et al.  
2013/0113348 A1 5/2013 Holben et al.  
2013/0156999 A1 6/2013 Braesch et al.  
2013/0184845 A1 7/2013 Hales  
2013/0237296 A1 9/2013 Chen  
2013/0264235 A1 10/2013 Lin  
2014/0047708 A1 2/2014 Chae  
2014/0055927 A1 2/2014 Wang  
2014/0124146 A1 5/2014 Patel et al.  
2014/0130971 A1 5/2014 Wu et al.  
2014/0250964 A1 9/2014 Dai et al.  
2014/0332417 A1 11/2014 Wicks et al.  
2014/0338829 A1 11/2014 Peng et al.  
2015/0000831 A1 1/2015 Wang  
2015/0041069 A1 2/2015 Wadsworth et al.  
2015/0047773 A1 2/2015 Wadsworth et al.  
2015/0107767 A1 4/2015 Wadsworth et al.  
2015/0121691 A1 5/2015 Wang  
2015/0136314 A1 5/2015 Napier

2015/0227226 A1 8/2015 Wierenga et al.  
2015/0314523 A1 11/2015 Mason et al.  
2015/0362736 A1 12/2015 Kowasic  
2016/0009024 A1 1/2016 Mason  
2016/0253039 A1 9/2016 Heo et al.  
2017/0001364 A1 1/2017 MacDonald et al.

## FOREIGN PATENT DOCUMENTS

CN 201456516 5/2010  
CN 201538078 8/2010  
CN 102632674 8/2012  
CN 202623469 12/2012  
CN 202896928 4/2013  
CN 202967060 6/2013  
CN 203077741 7/2013  
DE 102013021563 6/2015  
EM 002486654-0001 6/2004  
EM 002486654-0002 6/2004  
EM 002486654-0003 6/2004  
EM 002486654-0004 6/2004  
EM 002486654-0005 6/2004  
EM 002486654-0006 6/2004  
EM 002486654-0007 6/2004  
EM 002486654-0008 6/2004  
EM 002486696-0001 6/2004  
EM 002486696-0002 6/2004  
EM 002486696-0003 6/2004  
EM 002486696-0004 6/2004  
EM 002486696-0005 6/2004  
EM 002486696-0006 6/2004  
EM 002486696-0007 6/2004  
EM 002486696-0008 6/2004  
EM 002486696-0009 6/2004  
EM 002486696-0010 6/2004  
EM 002486696-0011 6/2004  
EM 002486696-0012 6/2004  
EM 002486696-0013 6/2004  
EM 002486696-0014 6/2004  
EM 002486696-0015 6/2004  
EM 002486696-0016 6/2004  
EM 002486712-0001 6/2004  
EM 002486712-0002 6/2004  
EM 002486712-0003 6/2004  
EM 002486712-0004 6/2004  
EM 002486712-0005 6/2004  
EM 002486712-0006 6/2004  
EM 002486712-0007 6/2004  
EM 002486712-0008 6/2004  
EM 002486712-0009 6/2004  
EM 002486712-0010 6/2004  
EM 002486712-0011 6/2004  
EM 002486712-0012 6/2004  
EM 002486712-0013 6/2004  
EM 002486712-0014 6/2004  
EM 002486712-0015 6/2004  
EM 002486712-0016 6/2004  
JP 10199422 7/1998  
JP 2002049327 2/2002  
JP 2002057764 2/2002  
JP 2003066419 3/2003  
JP 2006145918 6/2006  
JP 2006155452 6/2006  
JP 3124275 8/2006  
JP 03180690 12/2012  
KR 200454225 6/2011  
KR 101080018 11/2011  
KR 101135144 4/2012  
KR 101176316 8/2012  
KR 1020130043720 5/2013  
KR 300704457 8/2013  
KR 300704458 8/2013  
KR 300704459 8/2013  
KR 300704460 8/2013  
KR 1020130092713 8/2013  
KR 1020130092804 8/2013  
KR 300720375 12/2013  
KR 300720376 12/2013  
KR 101408663 6/2014



KR	1020140070046	6/2014
KR	1020140076245	6/2014
KR	101468710	12/2014
KR	200475419	12/2014
KR	200475420	12/2014
KR	1020140136596	12/2014
KR	1020140142904	12/2014
KR	1020140143262	12/2014
KR	1020150006910	1/2015
KR	200476916	4/2015
KR	1020150039292	4/2015
KR	2020150001663	5/2015
KR	300804459	7/2015
KR	1020160022665	3/2016
KR	1020160022755	3/2016
KR	1020160061078	5/2016
KR	1020160088067	7/2016
KR	1020160091491	8/2016
KR	2020170000128	1/2017
TW	I401223	7/2013
WO	2003093879	11/2003
WO	2004005141	1/2004
WO	2005058705	6/2005
WO	WO2011065796	6/2011
WO	2011163151	12/2011
WO	2012074802	6/2012
WO	2012141505	10/2012

OTHER PUBLICATIONS

Protrusion on “F” key of computer keyboard; 1 page; picture taken Oct. 20, 2008.  
 Protrusion on “5” key of telephone; 1 page; picture take Oct. 20, 2008.  
 Systech Displays, Inc.; Home page; <http://www.systechdisplays.com/>; Oct. 21, 2008; 2 pages.  
 International Search Report and Written Opinion for PCT/US 09/61553, dated Dec. 17, 2009.  
 International Search Report and Written Opinion for PCT/US2014/060300 dated Jan. 27, 2015.  
 International Search Report and Written Opinion for PCT/US2014/050420 dated Nov. 19, 2014.  
 International Search Report and Written Opinion for PCT/US2014/071767 dated Apr. 24, 2015.  
 International Search Report and Written Opinion for PCT/US2017/051882, dated Nov. 29, 2017.  
 Systech Displays, Inc.; Home page; <http://www.systechdisplays.com/>; Oct. 21, 2008.  
 ZAGG Introduces invisibleSHIELD on Demand and invisible Shield Glass at CES 2014, <http://investors.zagg.com/releasedetail.cfm?ReleaseID=817526>, Jan. 7, 2014.  
 Machine translation of KR 10-1135144, Apr. 16, 2012.  
 Machine Translation of DE102013021563, published Jun. 18, 2015.  
 AMZER—Kristal Screen Protectors <http://www.amzer.com/kristali>, Admitted Prior Art.  
 MyScreenPROTECTOR—<https://www.myscreenprotector.com/?Ing=3&view=cms&txt=about-my-screen-protector>, Admitted Prior Art.

PureGear—PureTek Roll-On Kit—<http://www.pure-gear.com/shop-by-category/screen/puretek-roll-on-kit-antibacterial-antiglare-anti-fingerprint.html>, Admitted Prior Art.  
 TYLT ALIN Perfect Alignment Screen Protection—<http://www.tytl.com/alin/>, Admitted Prior Art.

*Primary Examiner* — Holly E Thurman  
 (74) *Attorney, Agent, or Firm* — Bryan Cave Leighton Paisner LLP

(57) CLAIM

We claim the ornamental design for the overlay for electronic device, substantially as shown and described.

DESCRIPTION

FIG. 1 is a top perspective view of an overlay for electronic device, according to a first embodiment;  
 FIG. 2 is a bottom perspective view of the overlay for electronic device, according to the first embodiment;  
 FIG. 3 is a top plan view of the overlay for electronic device, according to the first embodiment;  
 FIG. 4 is a side elevational view of the overlay for electronic device, according to the first embodiment, where the opposite side elevational view is a mirror image thereof;  
 FIG. 5 is a bottom plan view of the overlay for electronic device, according to the first embodiment;  
 FIG. 6 is a top plan view of the overlay for electronic device in a folded configuration, according to the first embodiment;  
 FIG. 7 is a top perspective view of an overlay for electronic device, according to a second embodiment;  
 FIG. 8 is a bottom perspective view of the overlay for electronic device, according to the second embodiment;  
 FIG. 9 is a top plan view of the overlay for electronic device, according to the second embodiment;  
 FIG. 10 is a side elevational view of the overlay for electronic device, according to the second embodiment, where the opposite side elevational view is a mirror image thereof;  
 FIG. 11 is a bottom plan view of the overlay for electronic device, according to the second embodiment; and,  
 FIG. 12 is a top plan view of the overlay for electronic device in a folded configuration, according to the second embodiment.  
 The evenly dashed broken lines of the various embodiments of the overlay for electronic device are directed to environment and are for illustrative purposes only; the evenly dashed broken lines form no part of the claimed design.

1 Claim, 6 Drawing Sheets

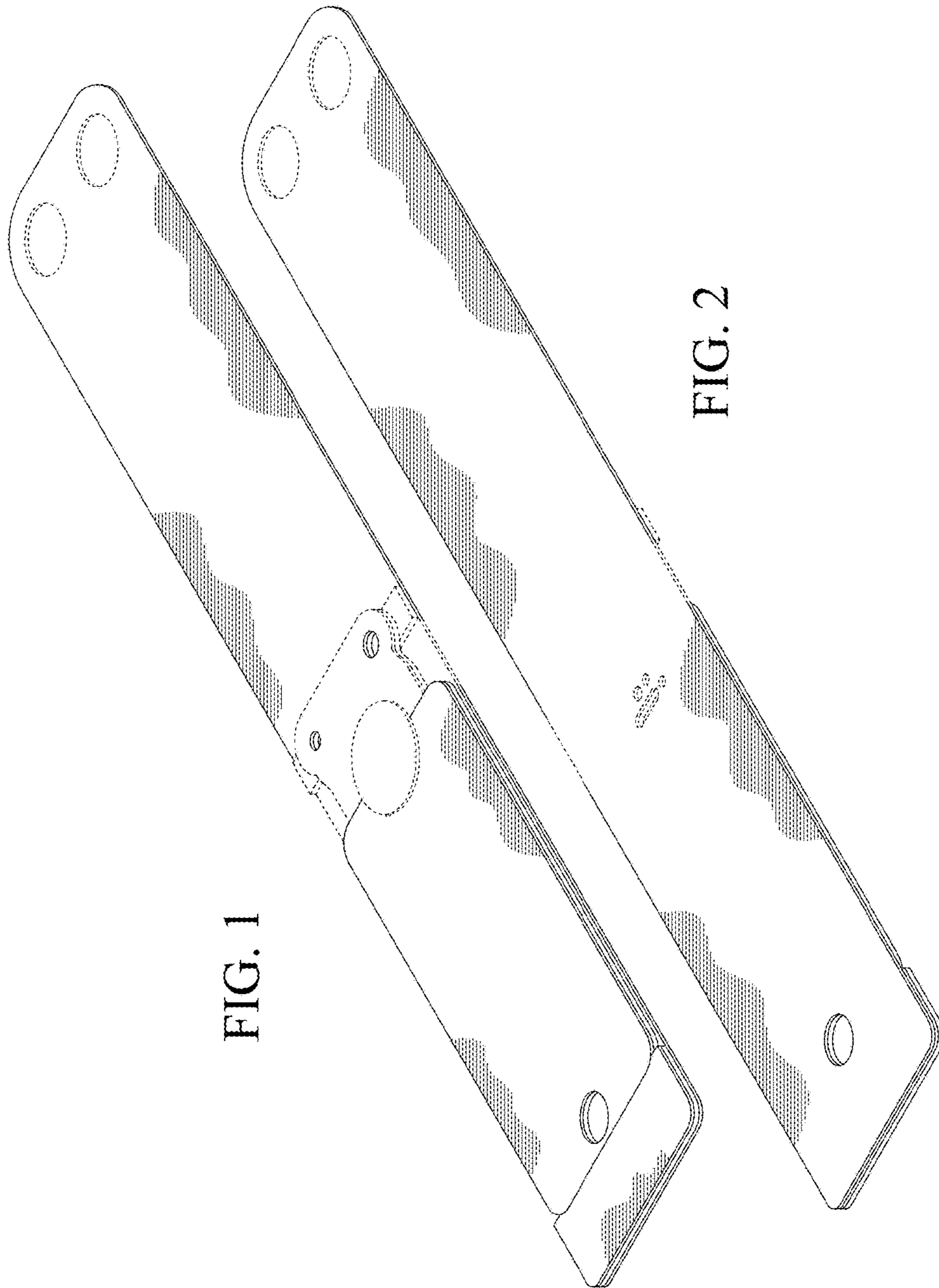


FIG. 1

FIG. 2

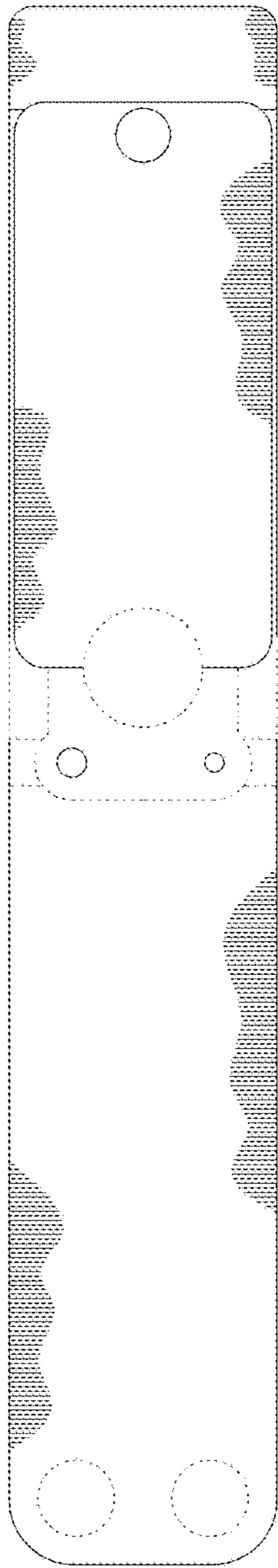


FIG. 3



FIG. 4

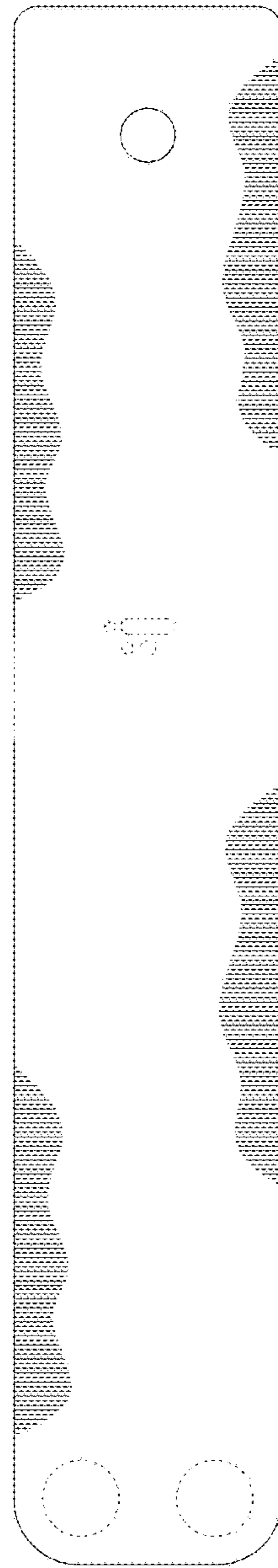


FIG. 5

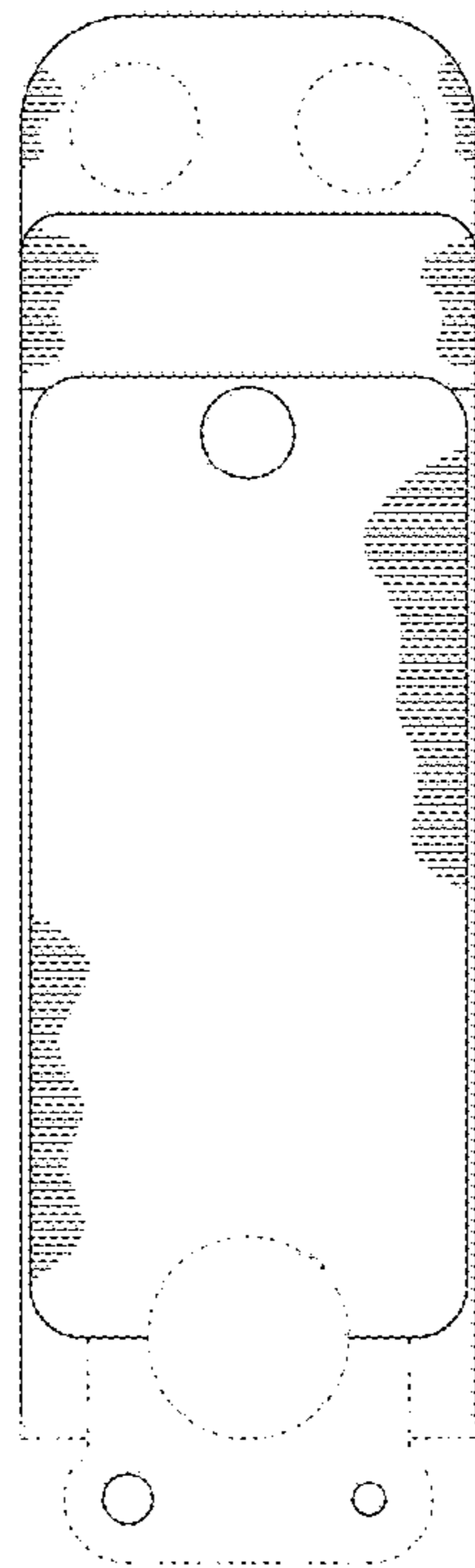


FIG. 6



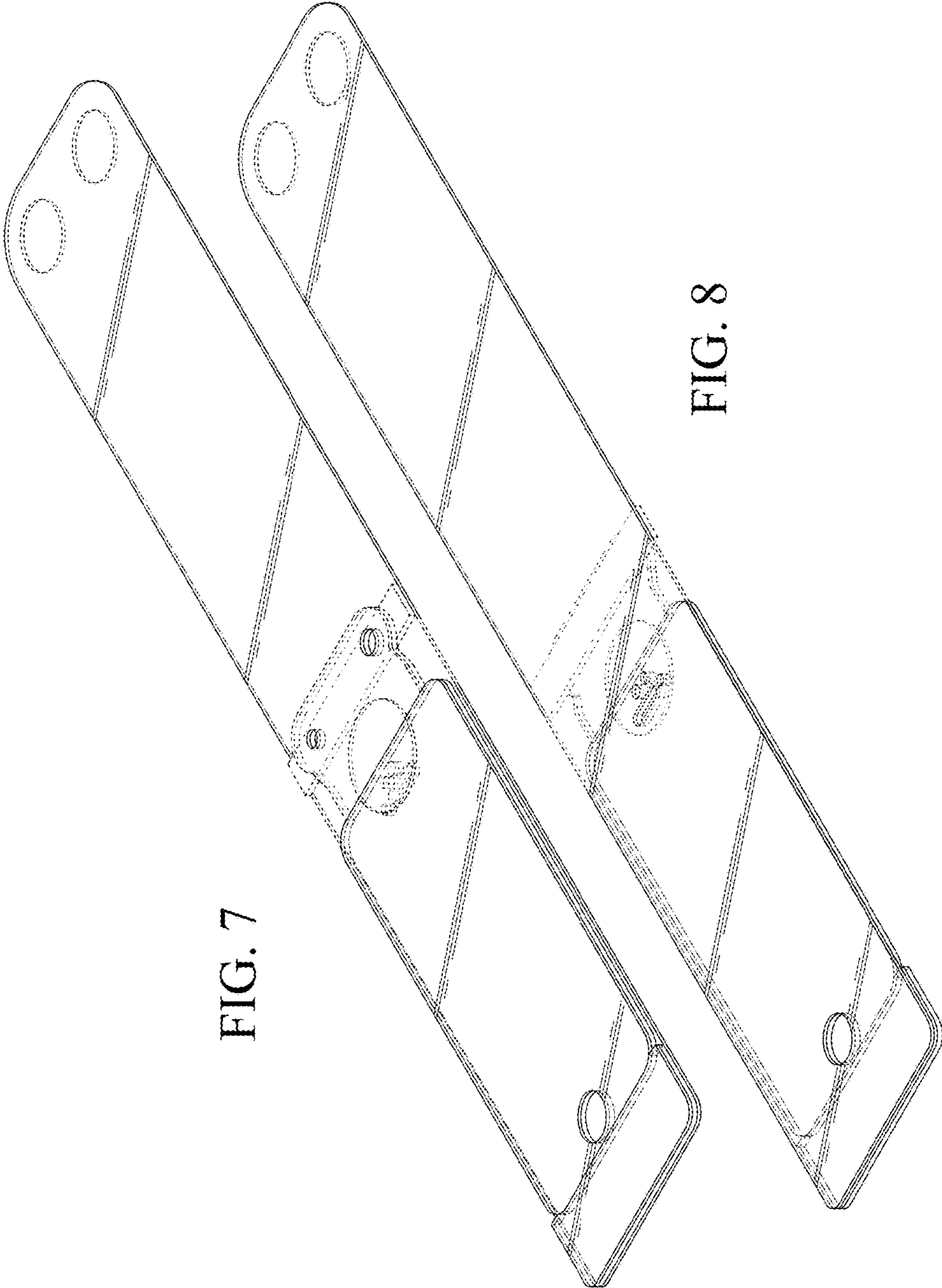


FIG. 7

FIG. 8

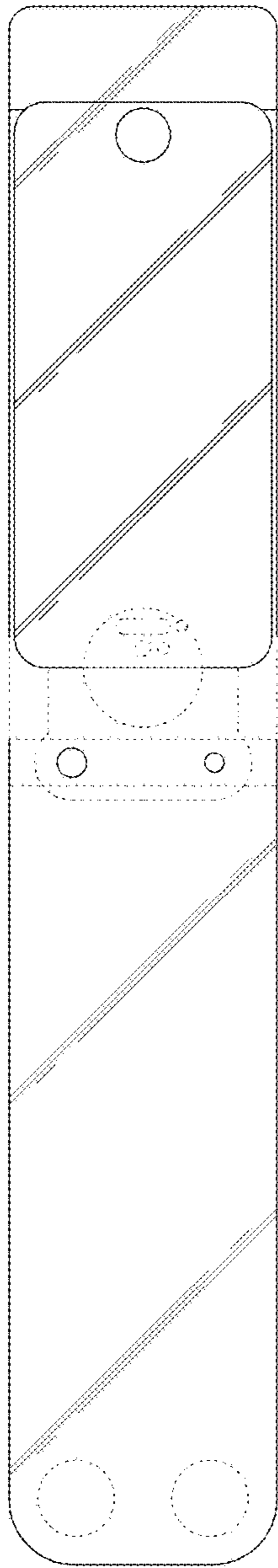


FIG. 9



FIG. 10

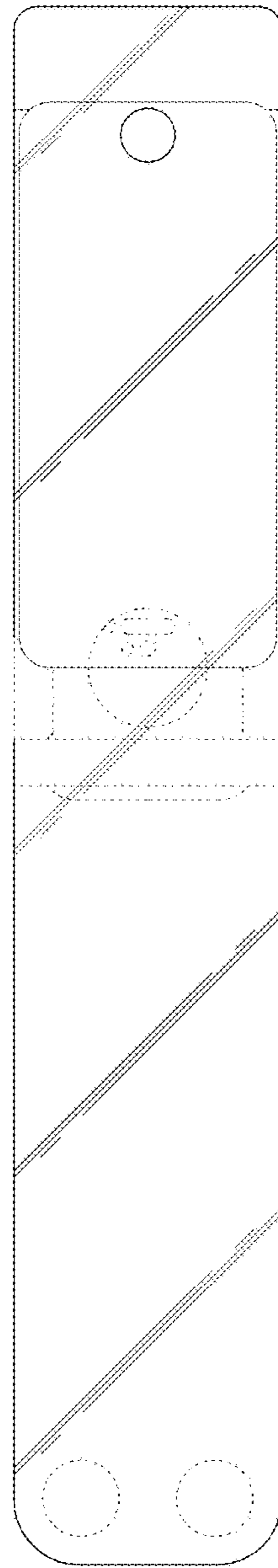


FIG. 11



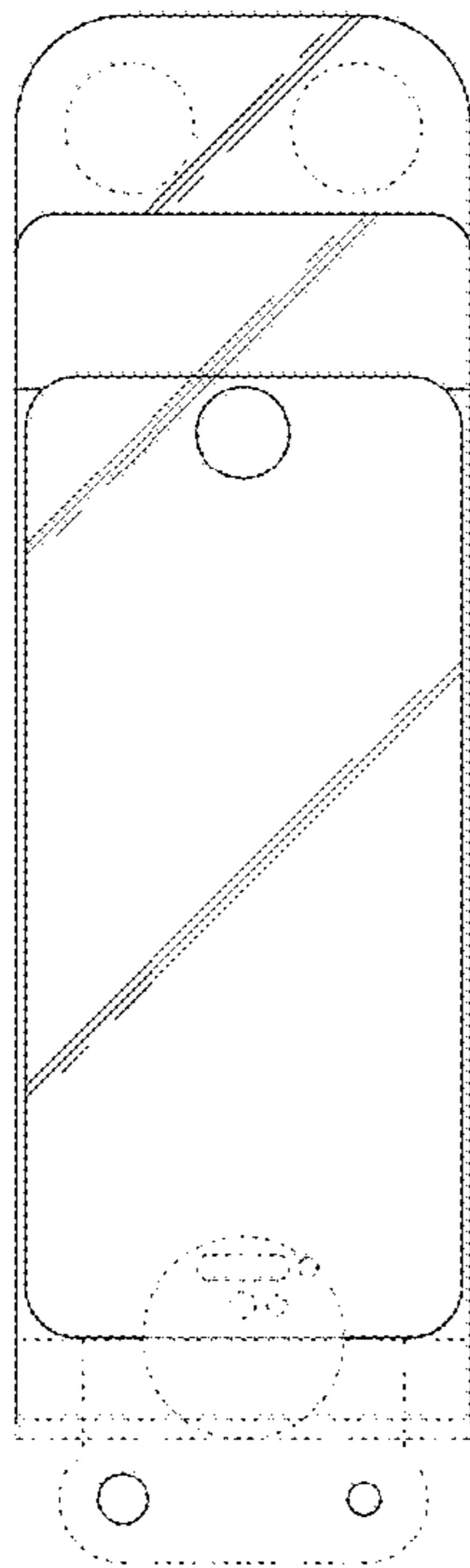


FIG. 12